



US00D896087S

(12) **United States Design Patent**  
**Kurri et al.**

(10) **Patent No.:** **US D896,087 S**

(45) **Date of Patent:** **\*\* Sep. 15, 2020**

(54) **CONTAINER**

(71) Applicant: **TPG Plastics LLC**, Willowbrook, IL (US)

(72) Inventors: **Manikanta Reddy Kurri**, Lisle, IL (US); **Justin T. Stetler**, Joliet, IL (US); **Casimer Kurek, Jr.**, Homer Glen, IL (US); **Brian Kent Wingfield**, Oswego, IL (US)

(73) Assignee: **TPG Plastics LLC**, Willowbrook, IL (US)

(\*\*) Term: **15 Years**

(21) Appl. No.: **29/687,836**

(22) Filed: **Apr. 16, 2019**

(51) **LOC (12) Cl.** ..... **09-01**

(52) **U.S. Cl.**  
USPC ..... **D9/527**; D9/520; D9/566

(58) **Field of Classification Search**  
USPC ..... D9/434, 435, 454, 516, 520, 523, 528, D9/530-531, 543, 563, 566, 571, 575, D9/715, 719; D23/211.1, 211.2  
CPC ..... B65D 1/00; B65D 1/02; B65D 1/0223; B65D 1/023; B65D 1/40; B65D 23/00; B65D 23/10; B65D 23/102; B65D 25/00; B65D 25/28; B65D 25/2882; B65D 25/2888; B65D 25/2894; B65D 25/2897; B65D 2501/00; B65D 2501/0009; B65D 2501/0081; B05B 11/0037  
See application file for complete search history.

(56) **References Cited**

**U.S. PATENT DOCUMENTS**

D205,166 S \* 6/1966 Price ..... D9/527  
D245,577 S \* 8/1977 Smythe ..... D9/524  
D279,417 S \* 6/1985 Spencer ..... D23/202  
D279,549 S \* 7/1985 Elmburg ..... D23/211.1

D377,604 S \* 1/1997 Salmon ..... D9/528  
D516,434 S \* 3/2006 McGuire ..... D9/524  
D608,855 S 1/2010 Hatch  
D616,752 S 6/2010 Adams  
D721,976 S 2/2015 Cornelius et al.  
D760,869 S 7/2016 Sanders  
D785,456 S 5/2017 Clemence et al.

**OTHER PUBLICATIONS**

Web page: [https://scepterusa.com/new\\_products/](https://scepterusa.com/new_products/), "SMARTCONTROL Gasoline Container", last downloaded Apr. 3, 2019.  
Web page: <https://www.homedepot.com/p/Easy-Can-5-Gal-Gasoline-Can-with-FMD-3450/301697348>, "Easy Can 5 Gal. Gasoline Can with FMD", last downloaded Apr. 3, 2019.  
Web page: <https://www.amazon.com/Briggs-Stratton-85053-5-Gallon-Shut-Off/dp/B001QCWQUS>, Briggs & Stratton 85053 5-Gallon Gas Can Auto Shut-Off, last downloaded Apr. 3, 2019.

\* cited by examiner

*Primary Examiner* — Dana Meyrow

(74) *Attorney, Agent, or Firm* — Christopher G. Darrow; Darrow Mustafa PC

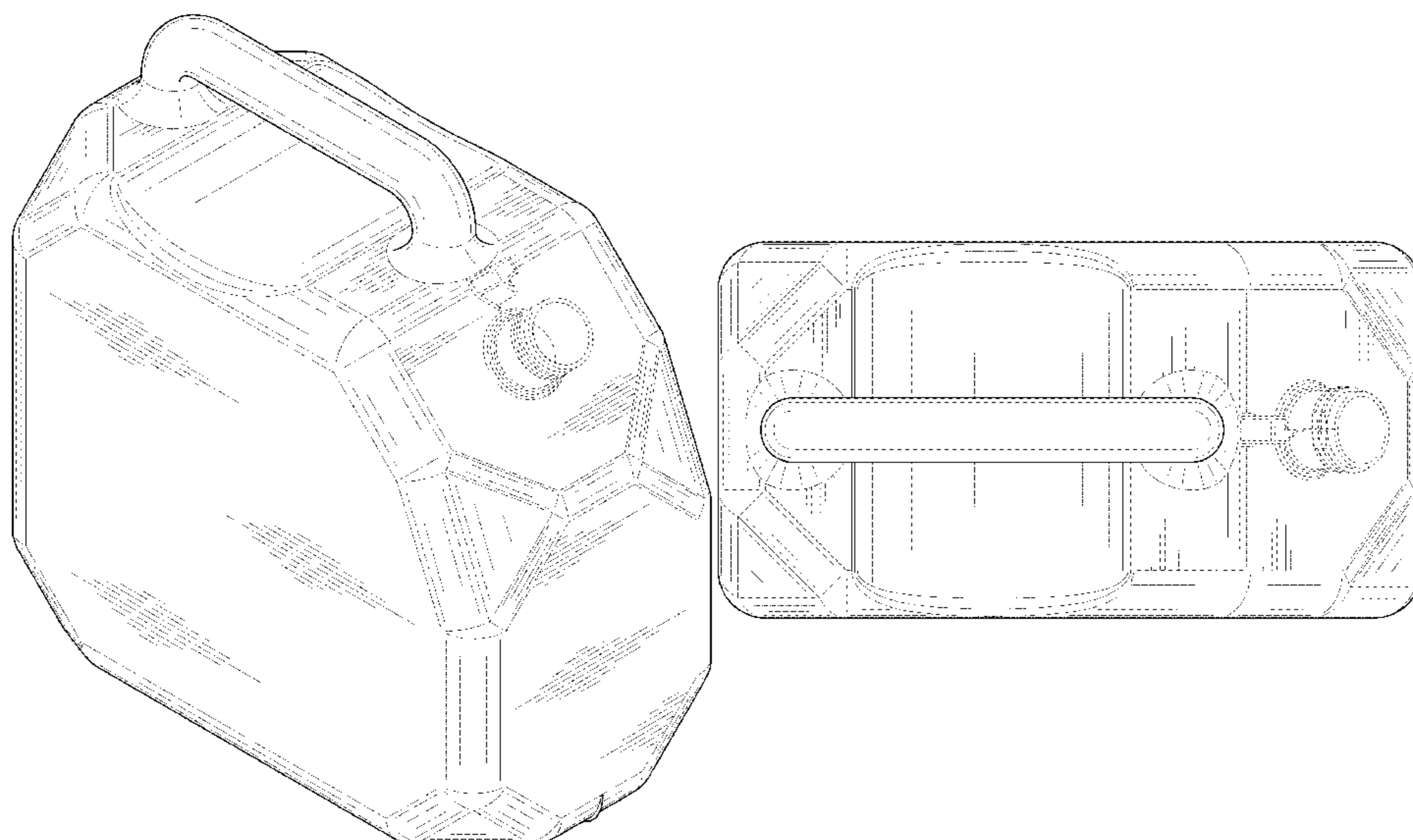
(57) **CLAIM**

The ornamental design for a container, as shown and described.

**DESCRIPTION**

FIG. 1 is a front perspective view of a container showing our new design;  
FIG. 2 is a front elevation view thereof;  
FIG. 3 is a rear elevation view thereof;  
FIG. 4 is a top plan view thereof;  
FIG. 5 is a bottom plan view thereof;  
FIG. 6 is a side elevation view thereof; and,  
FIG. 7 is an opposite side elevation view thereof.  
The broken lines in the drawings illustrate the portions of the container that form no part of the claimed design.

**1 Claim, 7 Drawing Sheets**



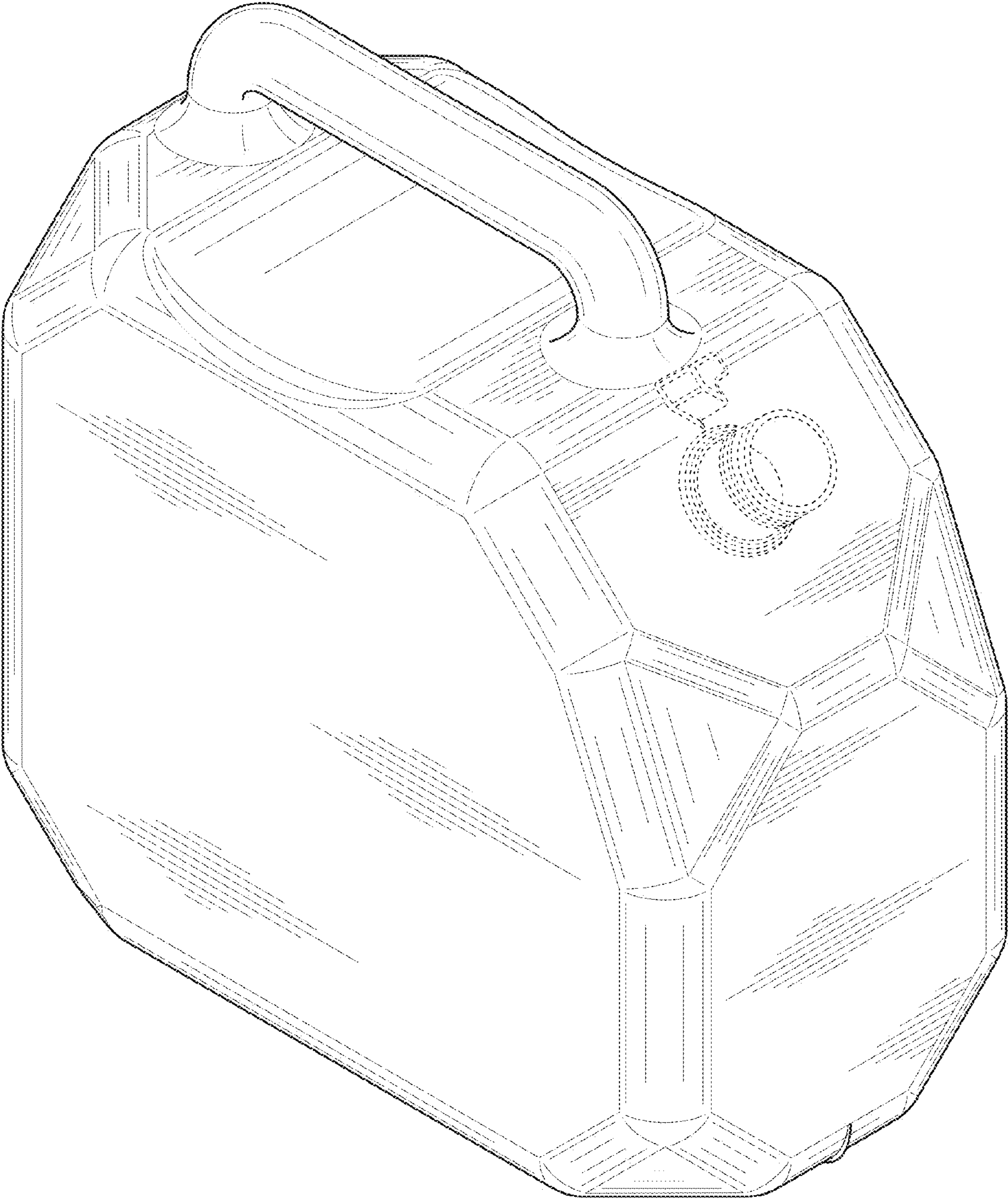


FIG. 1

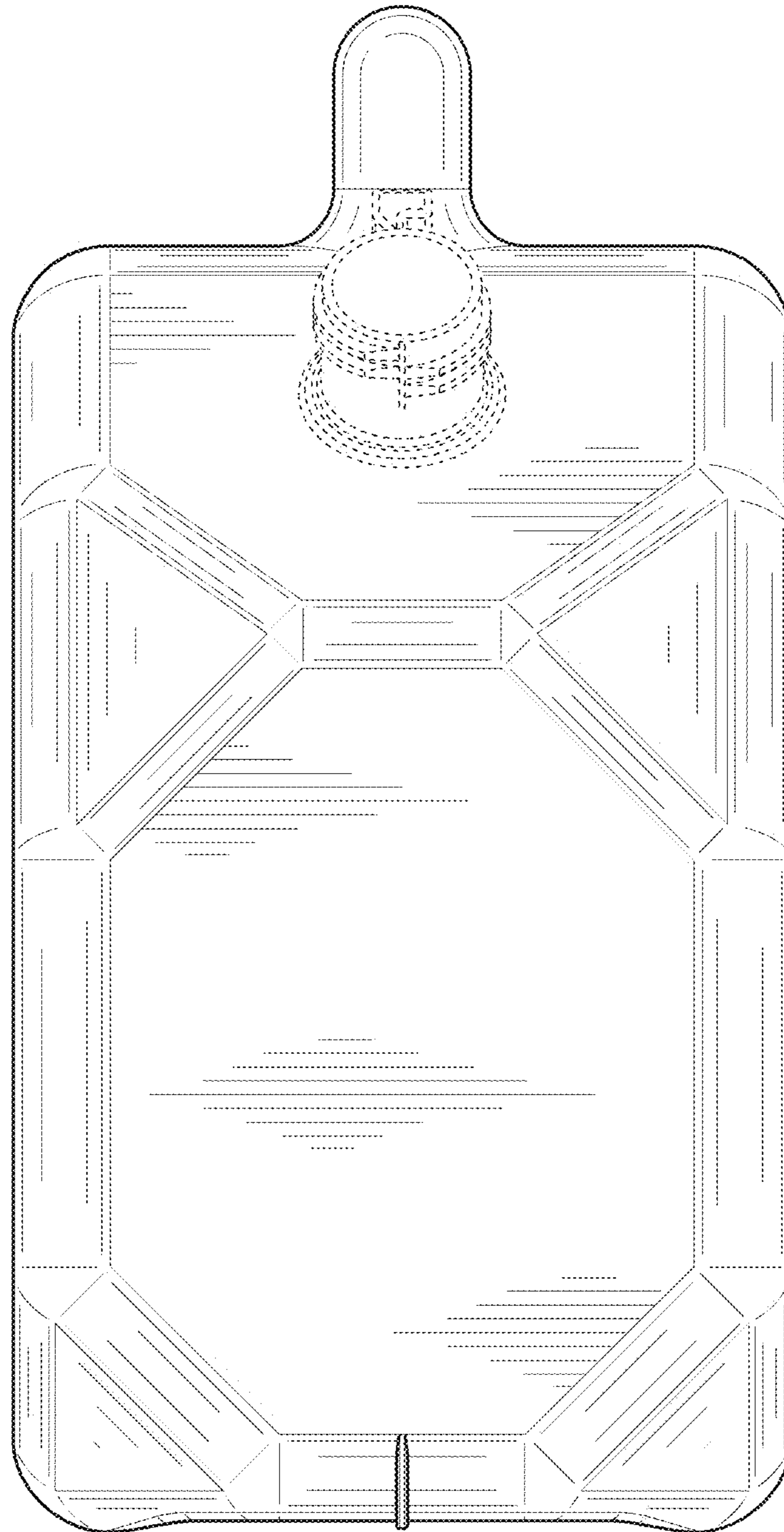


FIG. 2

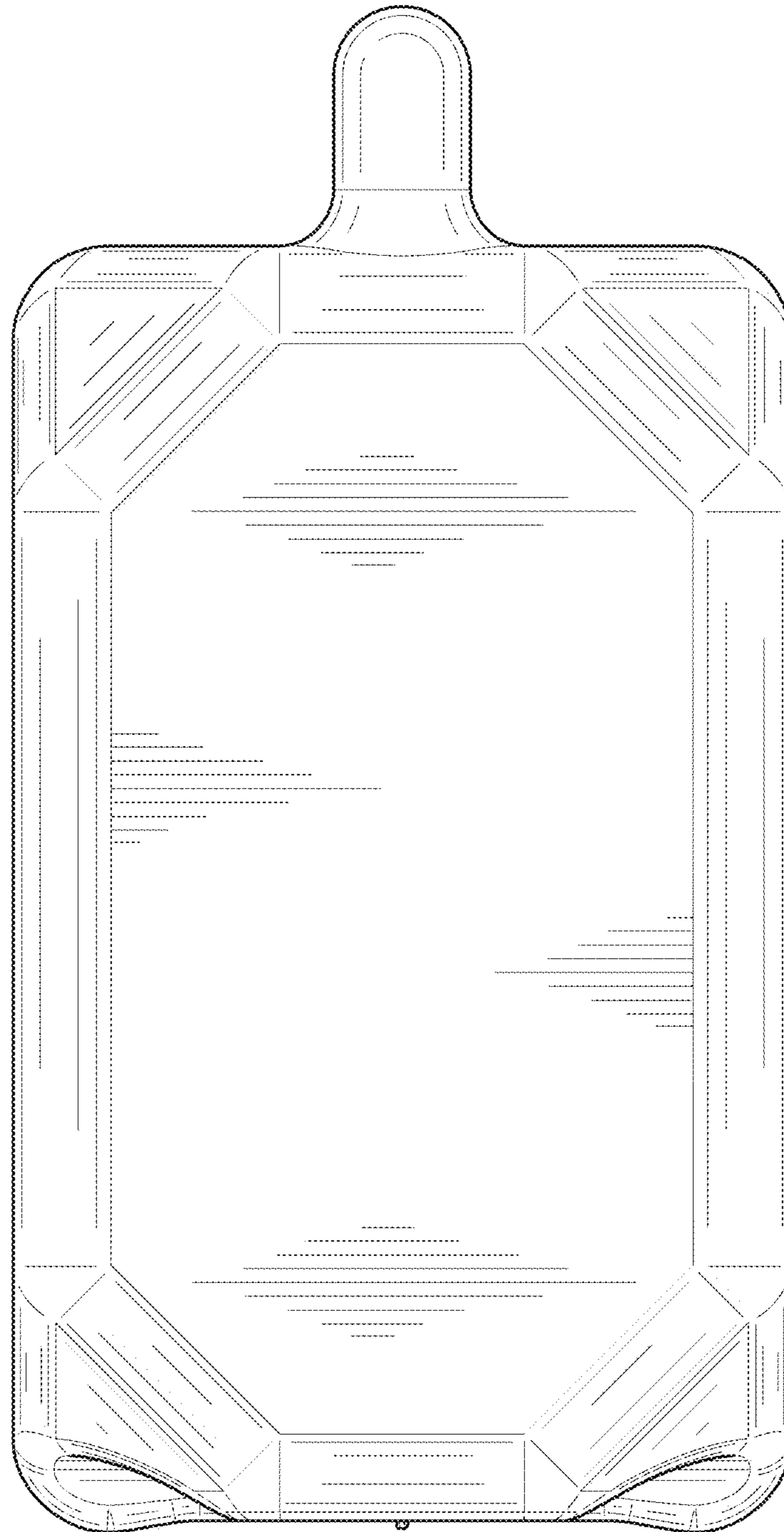


FIG. 3

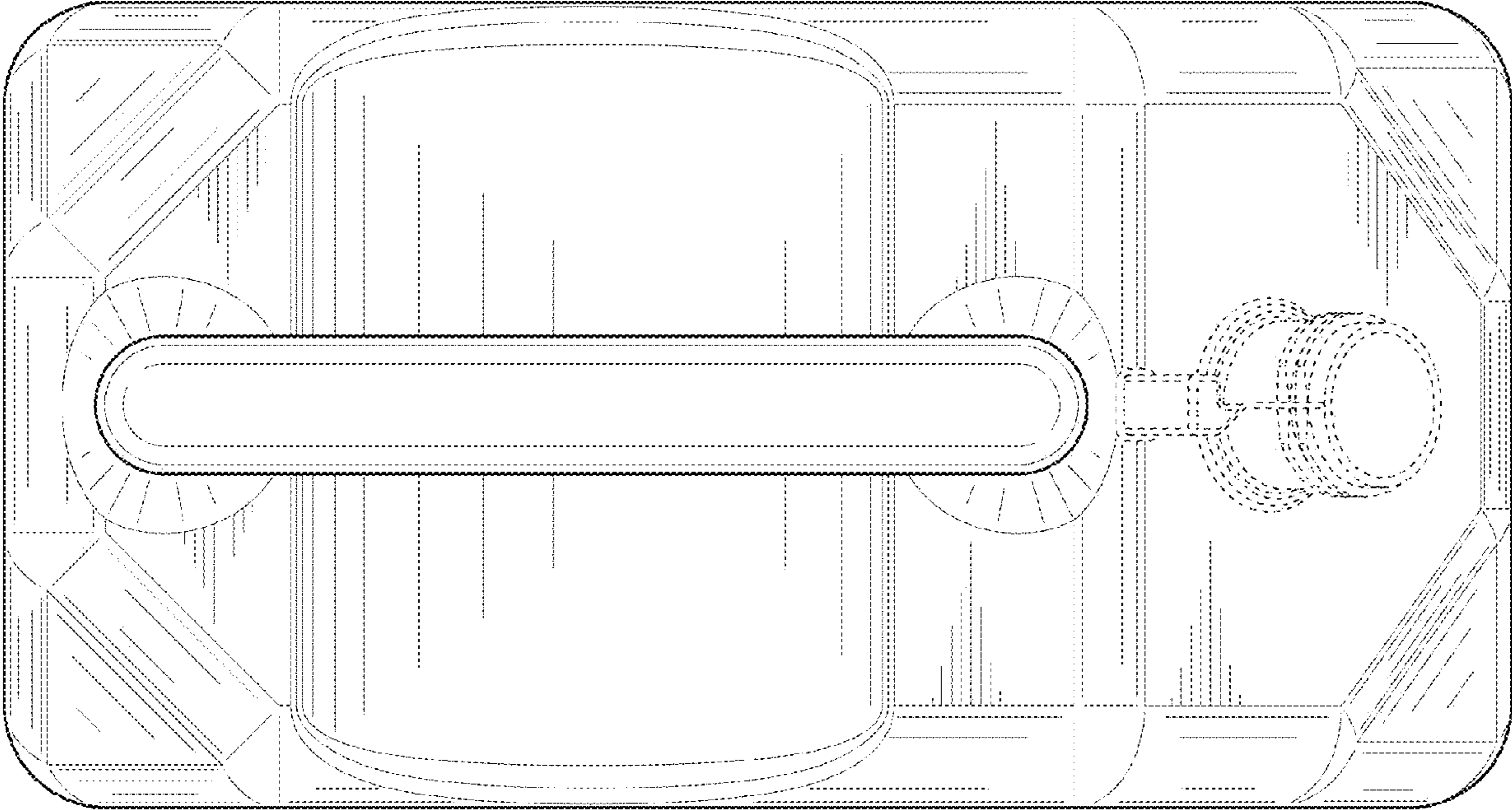


FIG. 4



FIG. 5

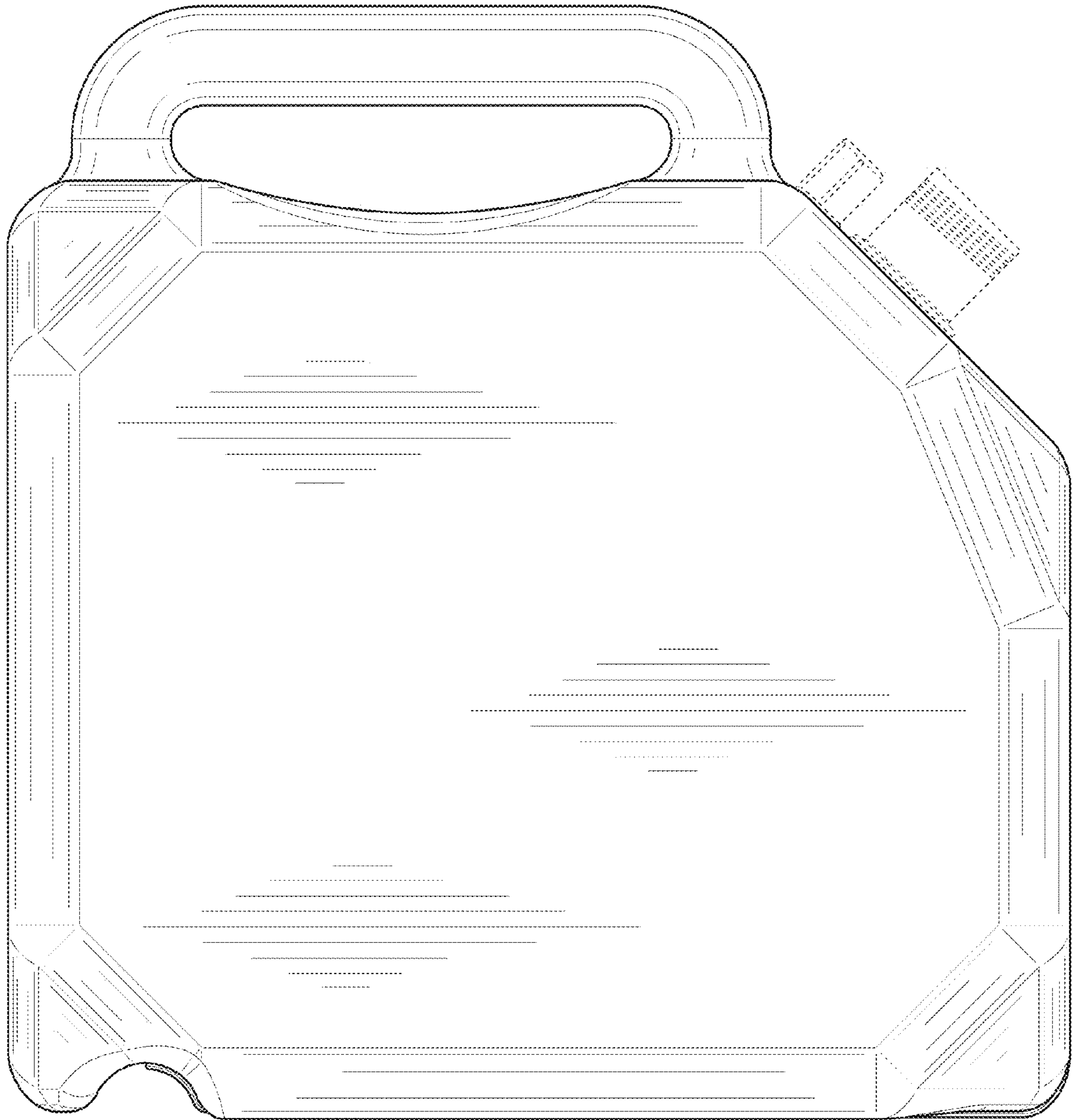


FIG. 6

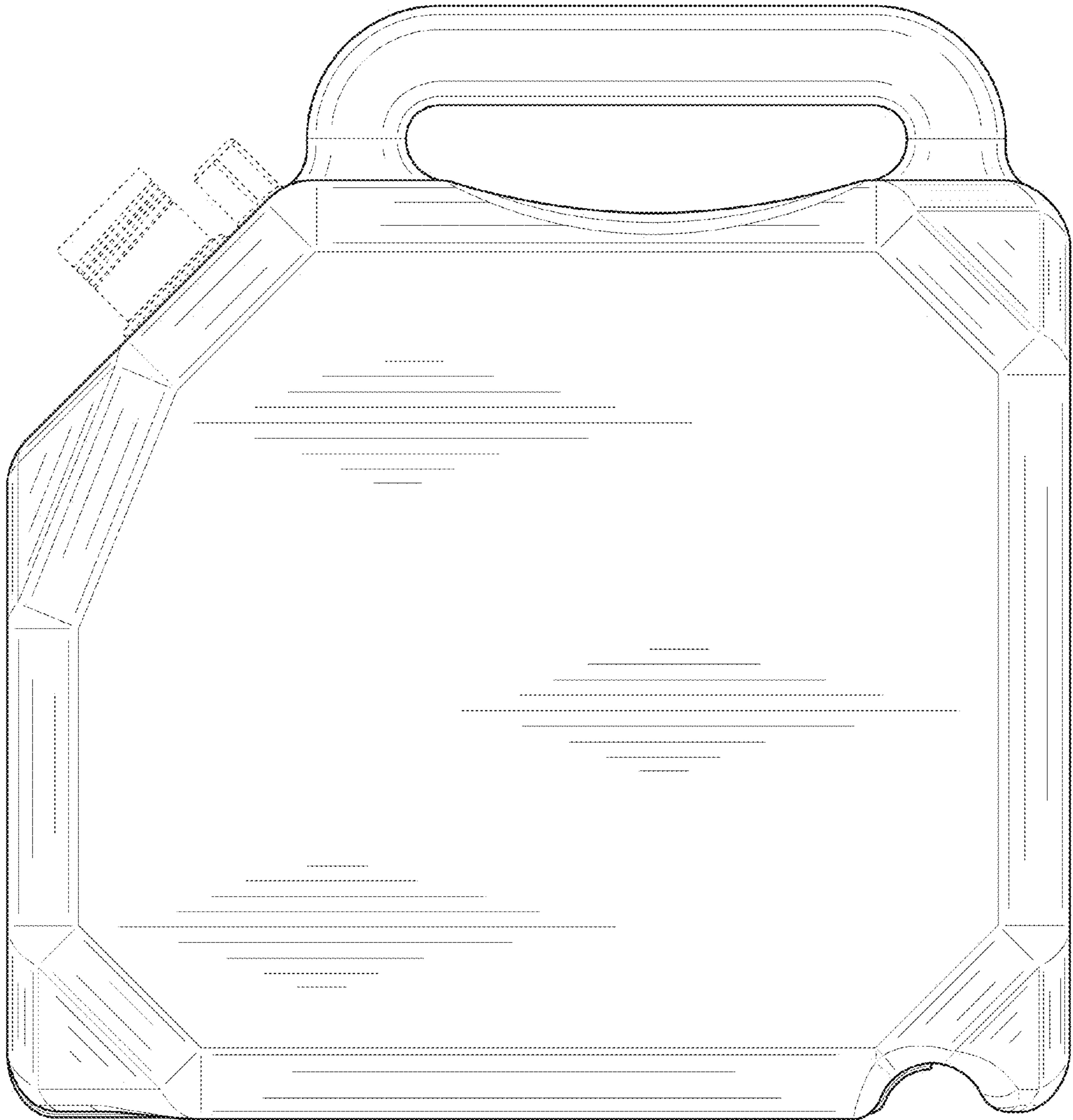


FIG. 7