



US00D896077S

(12) **United States Design Patent**
Matusek et al.

(10) **Patent No.:** **US D896,077 S**
(45) **Date of Patent:** **** Sep. 15, 2020**

(54) **COMBINED MEASURING AND DISPENSING DEVICE**

(71) Applicants: **Andrew Michael Matusek**, Medina, OH (US); **Jack Warren Gee, II**, Willoughby, OH (US)

(72) Inventors: **Andrew Michael Matusek**, Medina, OH (US); **Jack Warren Gee, II**, Willoughby, OH (US)

(**) Term: **15 Years**

(21) Appl. No.: **29/678,479**

(22) Filed: **Jan. 29, 2019**

(51) **LOC (12) Cl.** **09-07**

(52) **U.S. Cl.**
USPC **D9/440**; D9/436; D9/449

(58) **Field of Classification Search**
USPC D3/201, 202; D7/300, 300.1, 317, 321, D7/391, 392, 392.1, 396.2, 601, 602,
(Continued)

(56) **References Cited**

U.S. PATENT DOCUMENTS

2,518,520 A 8/1950 Broun
D217,759 S * 6/1970 Schweickart D9/449
(Continued)

OTHER PUBLICATIONS

Youtube. Smart Mouthwash Bottle Fills its Own 10 Millilitre Cup! by zeekzilch. Jul. 16, 2011. <https://www.youtube.com/watch?v=UrHIGHN3304> (Year: 2011).*

Primary Examiner — Darcey E Gottschalk

(74) *Attorney, Agent, or Firm* — Ralph E. Jocke; Walker & Jocke

(57) **CLAIM**

The ornamental design for a combined measuring and dispensing device, as shown and described.

DESCRIPTION

FIG. 1 is a front top left perspective view showing our new design for a combined measuring and dispensing device having a rotatable spout that is shown in a closed position. FIG. 2 is a front top left perspective view of the combined measuring and dispensing device showing the device enlarged relative to FIG. 1.

FIG. 3 is a rear top left perspective view of the combined measuring and dispensing device with the spout shown in the closed position.

FIG. 4 is a rear view of the combined measuring and dispensing device with the spout shown in the closed position.

FIG. 5 is a front view of the combined measuring and dispensing device with the spout shown in the closed position.

FIG. 6 is a left side view of the combined measuring and dispensing device with the spout shown in the closed position.

FIG. 7 is a right side view of the combined measuring and dispensing device with the spout shown in the closed position.

FIG. 8 is a top view of the combined measuring and dispensing device with the spout shown in the closed position.

FIG. 9 is a bottom view of the combined measuring and dispensing device with the spout shown in the closed position.

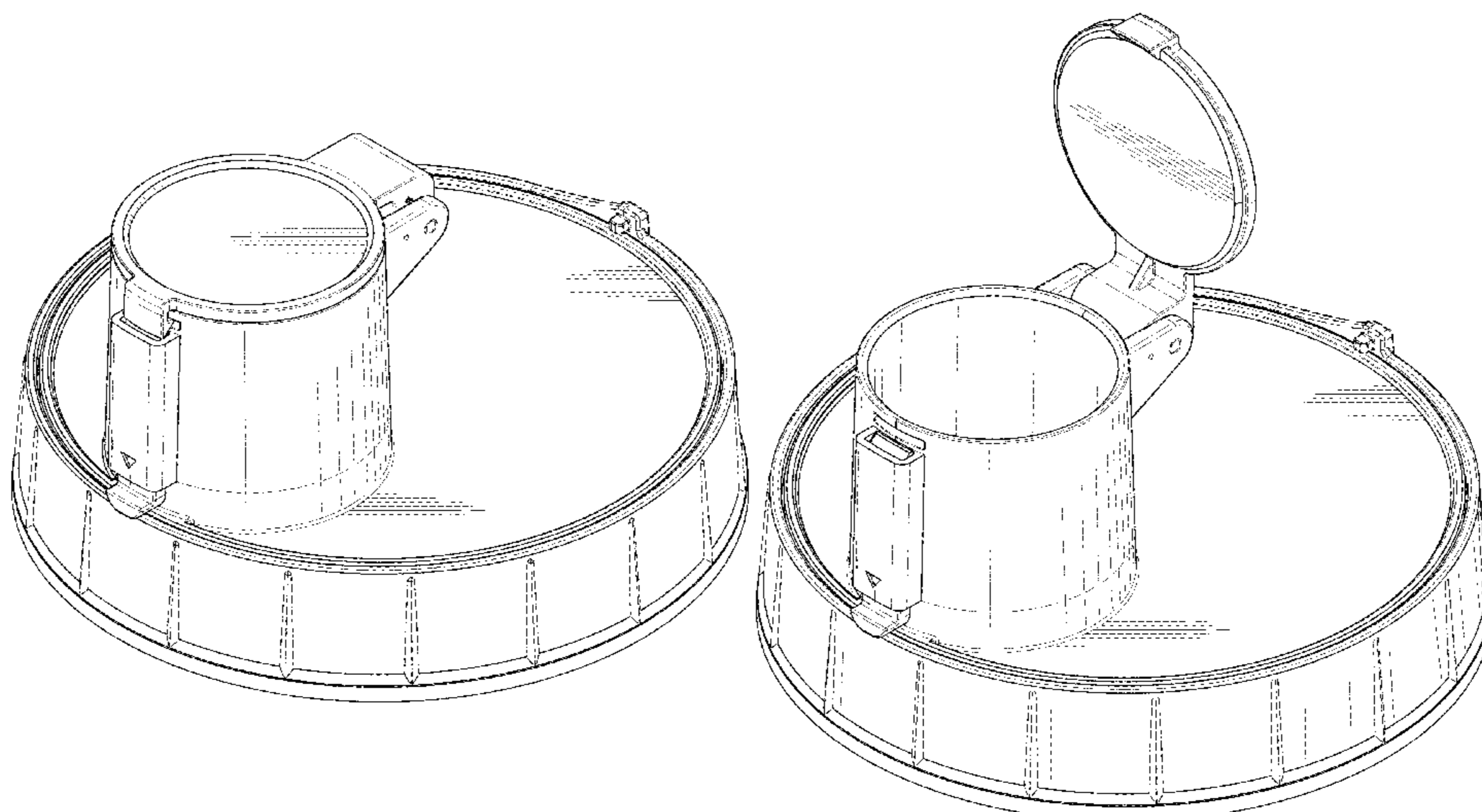
FIG. 10 is a bottom right perspective view of the combined measuring and dispensing device with the spout shown in the closed position.

FIG. 11 is a rear top left perspective view of the combined measuring and dispensing device with the spout shown in an open position; and,

FIG. 12 is a front top left perspective view of the combined measuring and dispensing device with the spout shown in the open position.

Features shown in broken lines form no part of the claimed design.

1 Claim, 10 Drawing Sheets



(58) **Field of Classification Search**
 USPC D7/619.1, 629; D9/434–436, 439, 440,
 D9/443, 445–447, 449, 452–454, 499
 CPC B65D 47/0885; G01F 11/261
 See application file for complete search history.

(56) **References Cited**

U.S. PATENT DOCUMENTS

4,032,050	A	6/1977	Funk	
5,495,964	A	3/1996	Santagiuliana	
5,509,582	A	4/1996	Robbins, III	
5,873,493	A	2/1999	Robinson	
6,422,426	B1	7/2002	Ribbins, III et al.	
7,090,098	B2	8/2006	Livingston et al.	
8,181,830	B2	5/2012	Flores	
D714,584	S *	10/2014	Boroski	D7/392
8,925,768	B1	1/2015	Ismail	
D741,176	S *	10/2015	Bell	D9/446

D752,916	S *	4/2016	Goodwin	D7/392.1
D763,076	S *	8/2016	Lane	D9/446
D769,671	S *	10/2016	Bielawski	D7/392.1
D772,652	S *	11/2016	Yao	D7/510
D801,111	S *	10/2017	Eyal	D7/392.1
9,828,230	B2 *	11/2017	Ismail	B67D 3/0041
D813,668	S *	3/2018	Miller	D9/446
D817,084	S *	5/2018	Hammer	D7/392.1
D817,085	S *	5/2018	Davis	D7/392.1
D824,721	S *	8/2018	Hu	D7/392.1
D825,332	S *	8/2018	Miksovsky	D9/446
D831,414	S *	10/2018	Diener	D7/392
D843,778	S *	3/2019	Yao	D7/392.1
D844,376	S *	4/2019	Rosette	D7/392
D847,563	S *	5/2019	Jacobsen	D7/396.2
D856,067	S *	8/2019	Barber	D7/392.1
D858,181	S *	9/2019	Lown	D7/392.1
D862,977	S *	10/2019	Bohman	D7/392
D870,509	S *	12/2019	Bo	D7/392.1

* cited by examiner

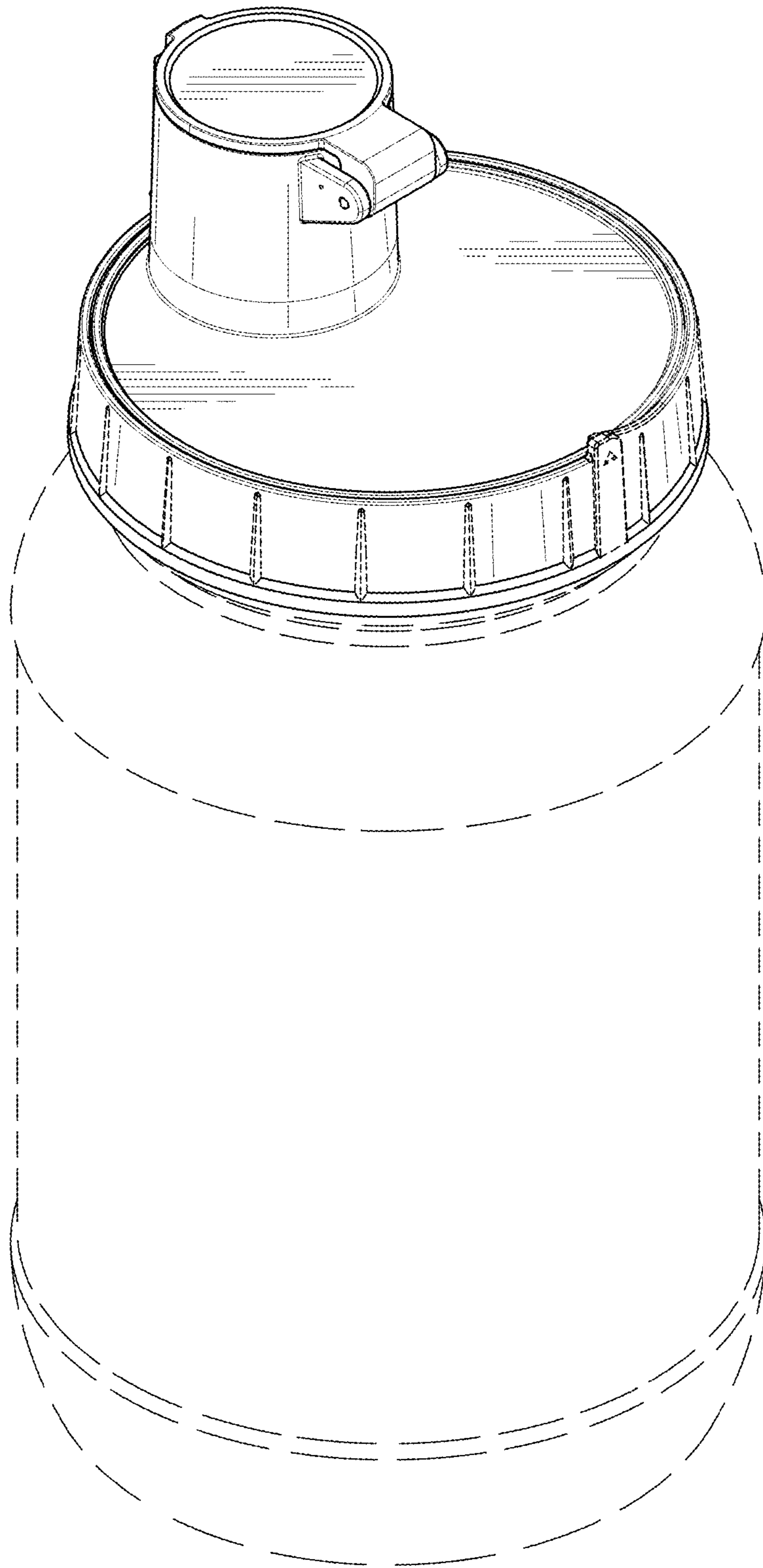


FIG. 1

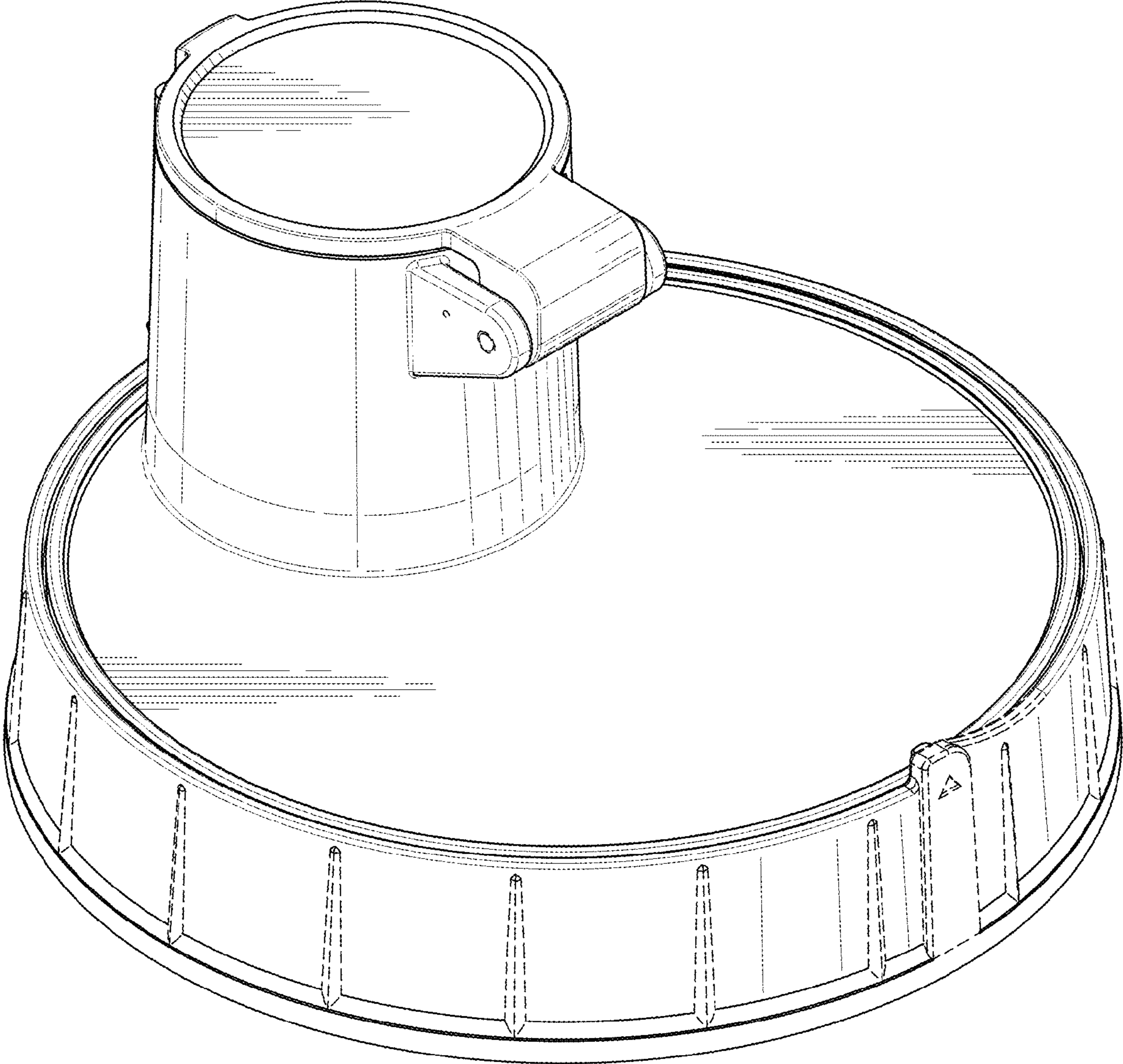


FIG. 2

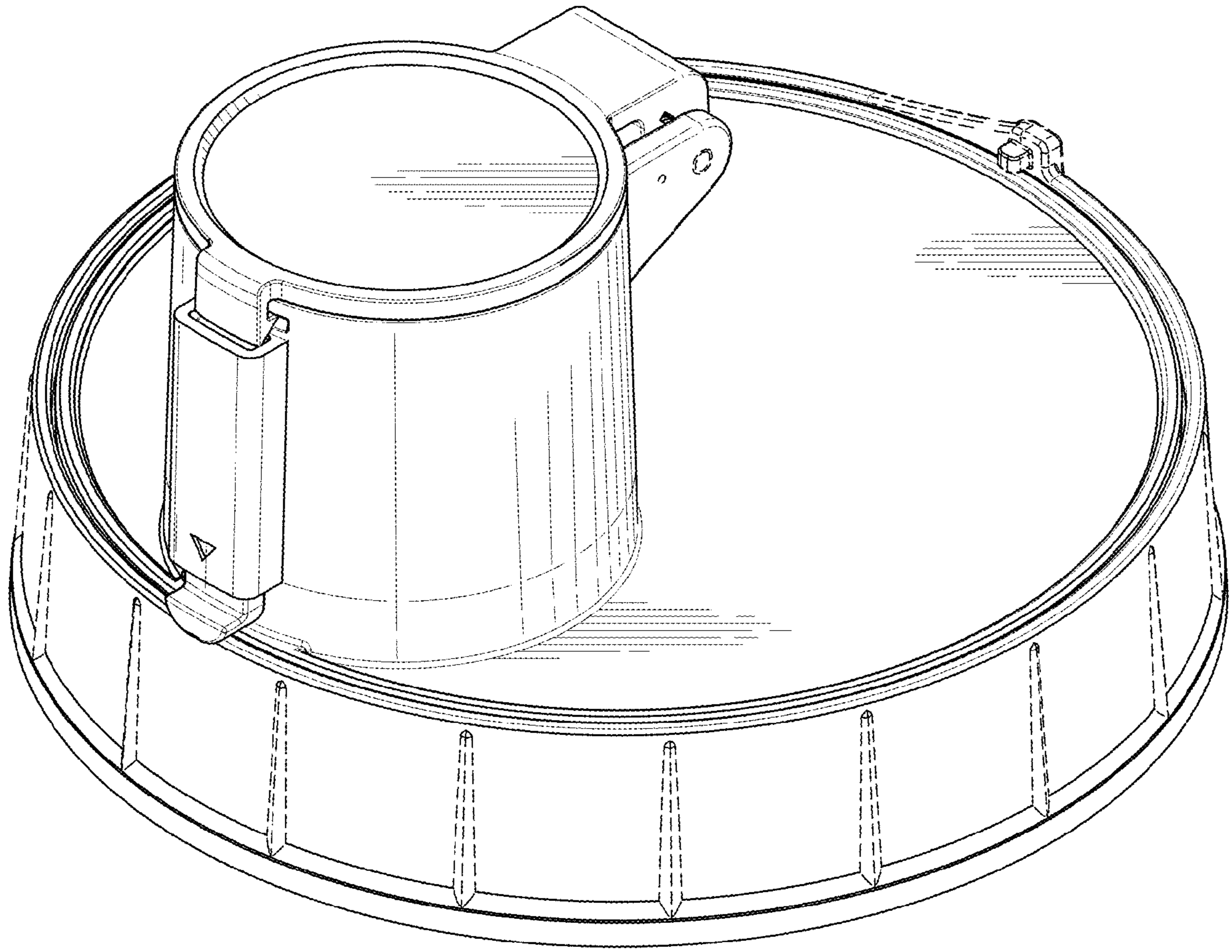


FIG. 3

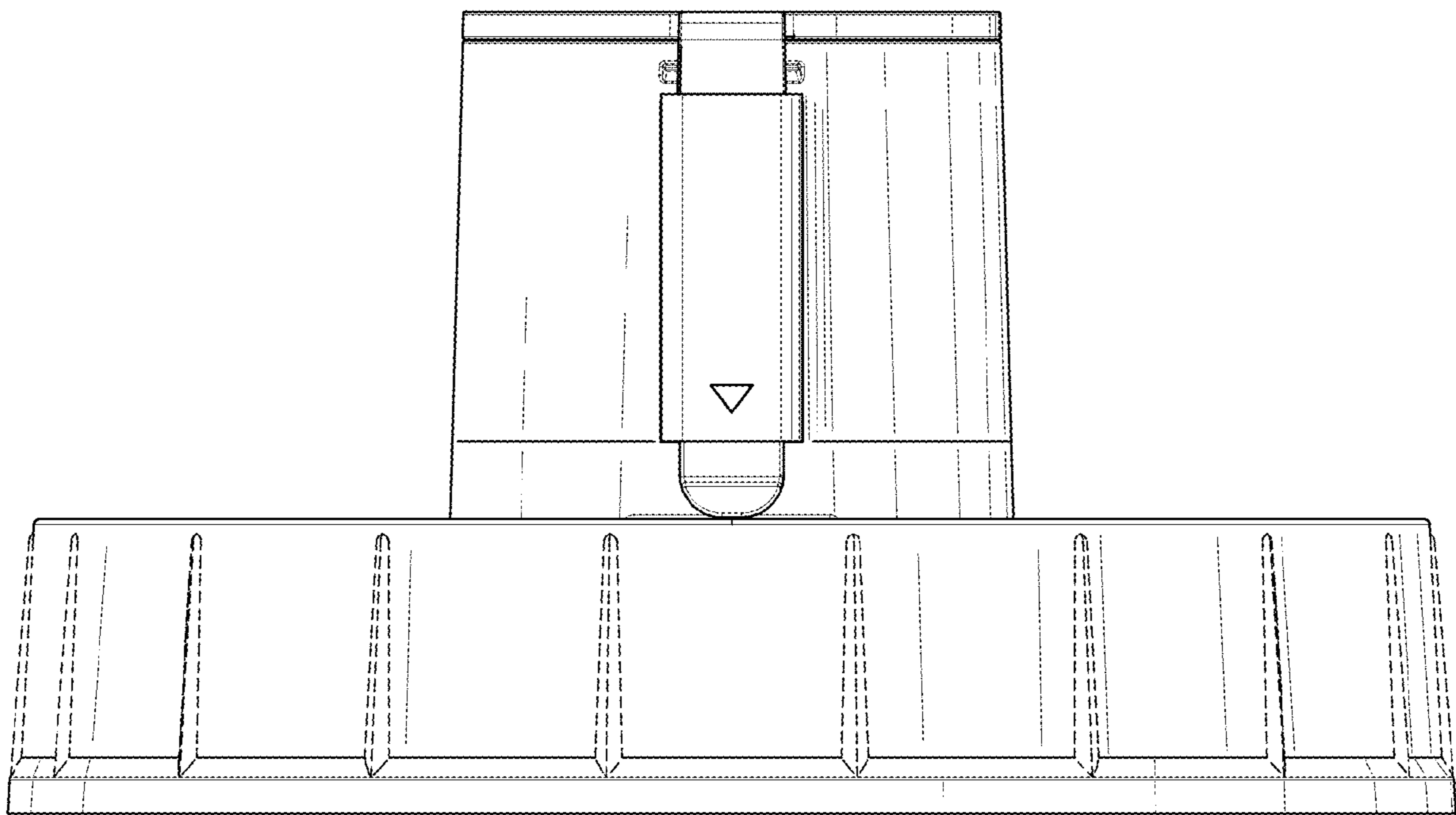


FIG. 4

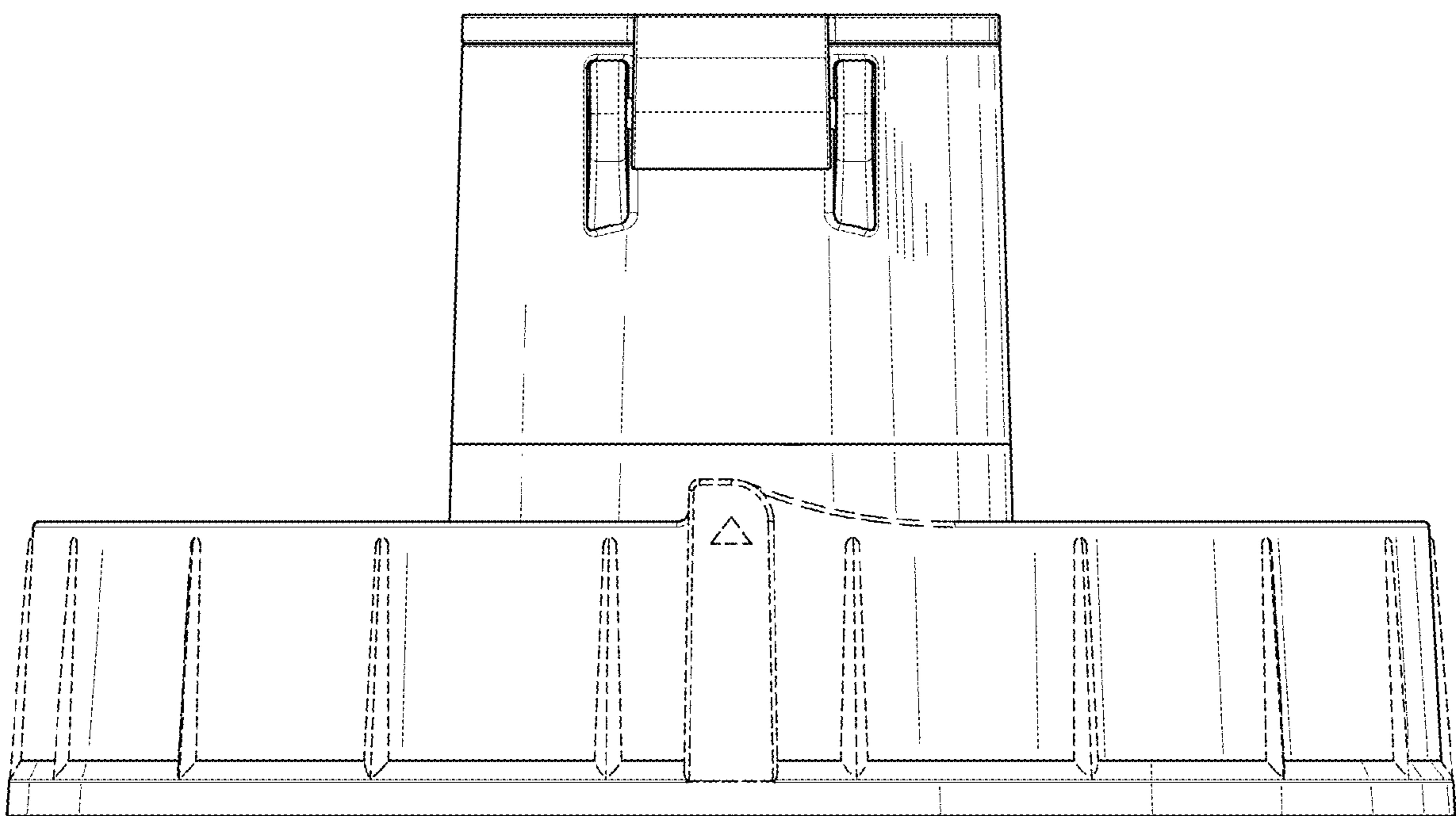


FIG. 5

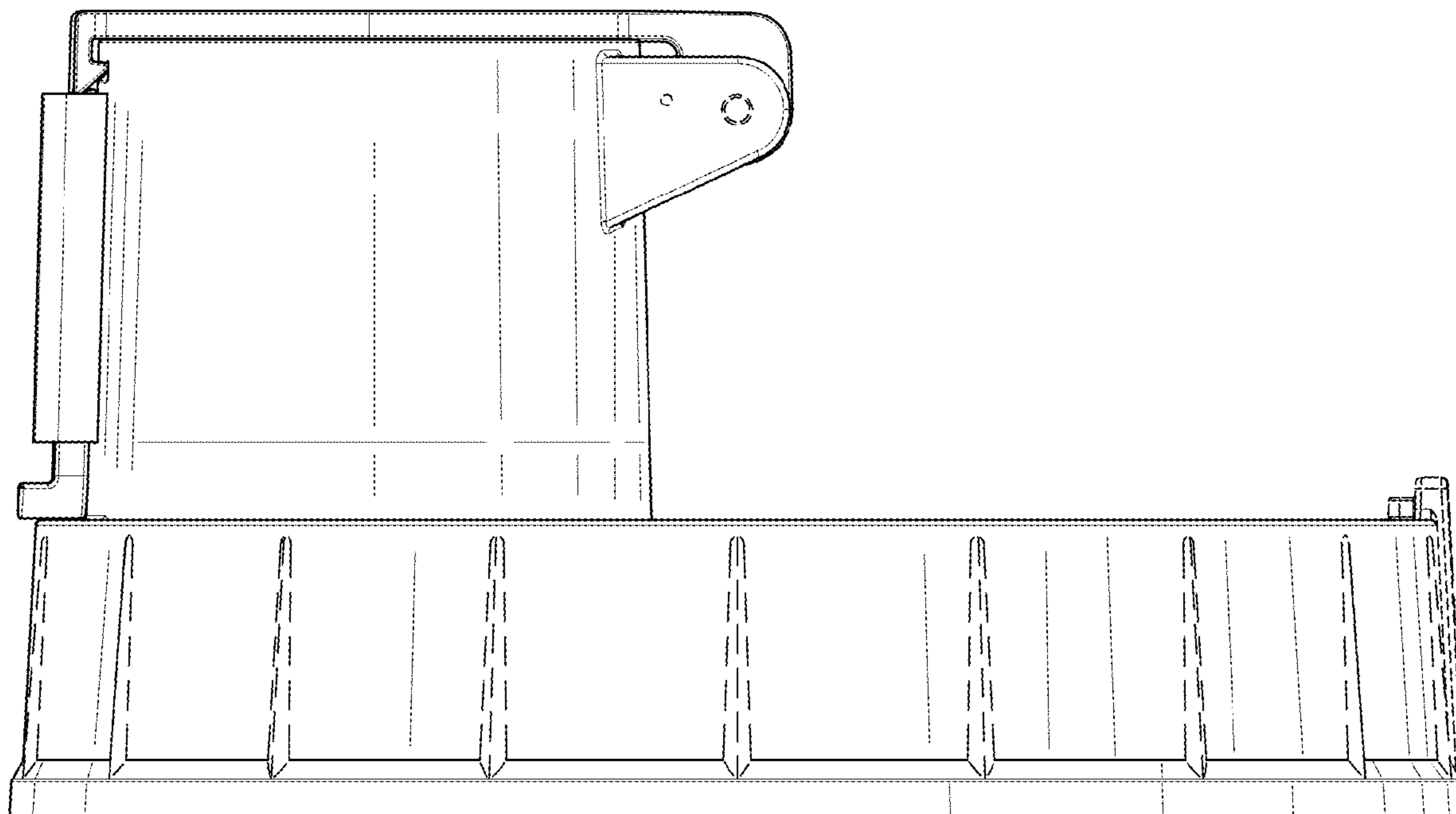


FIG. 6

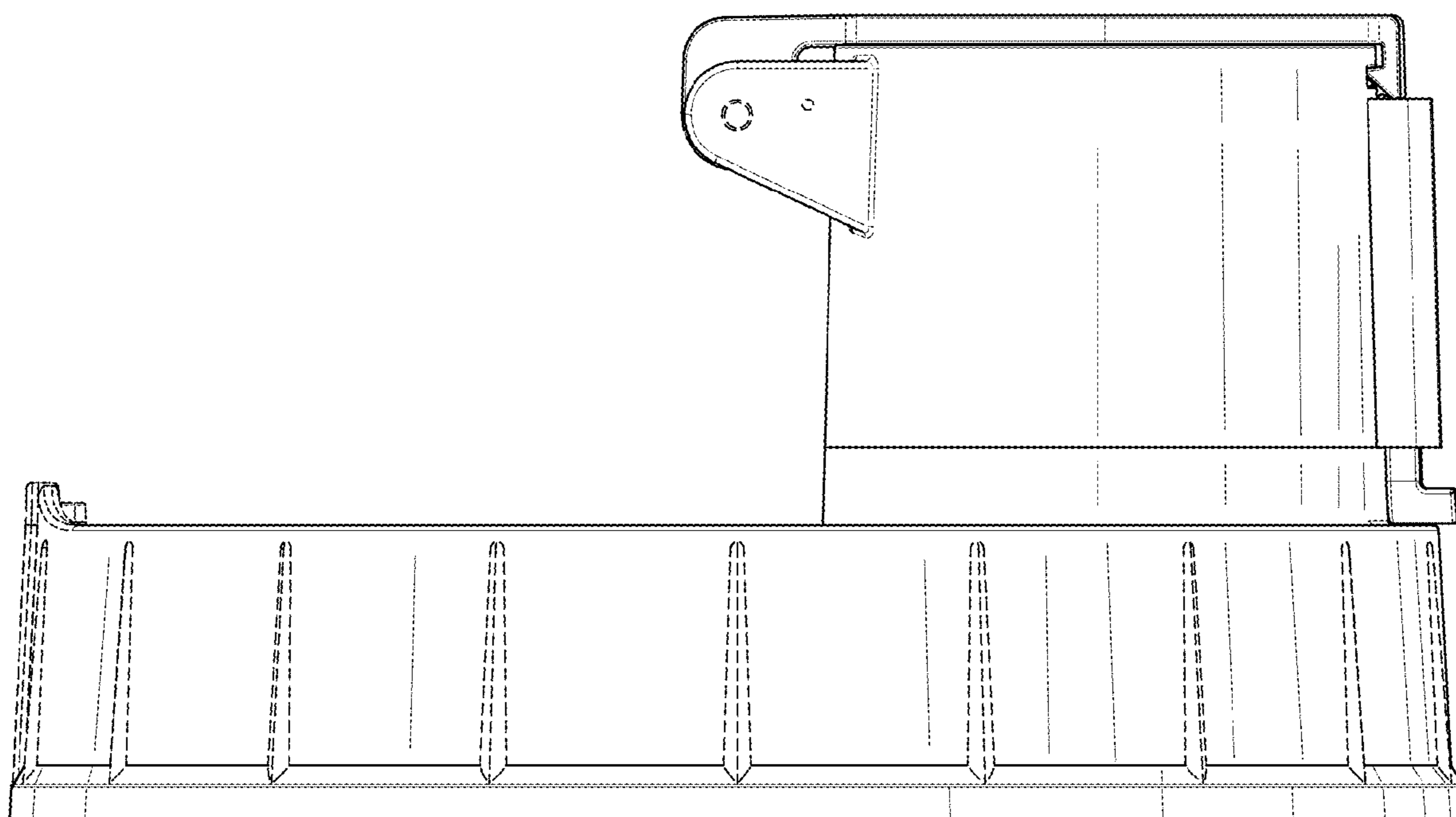


FIG. 7

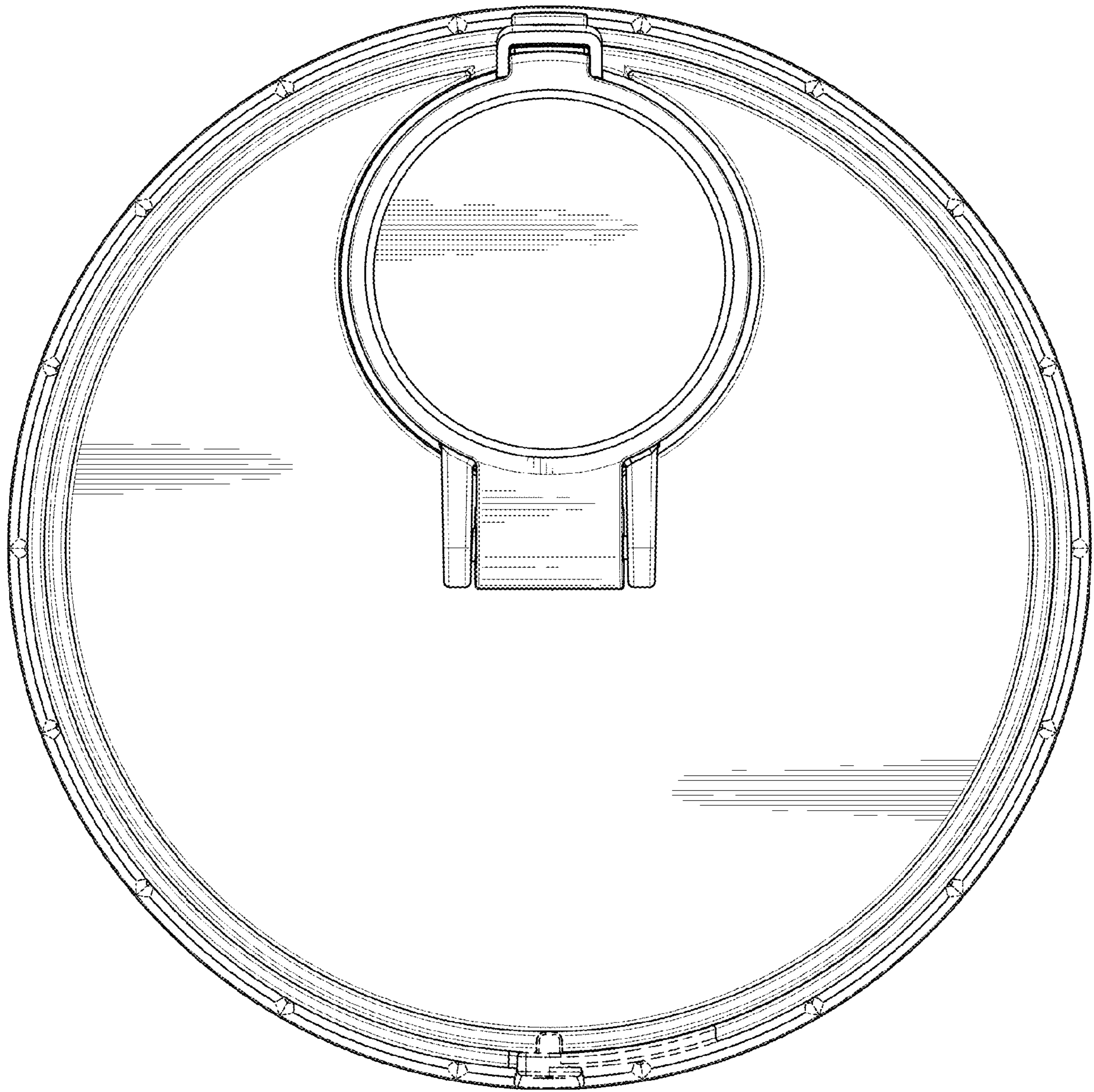


FIG. 8

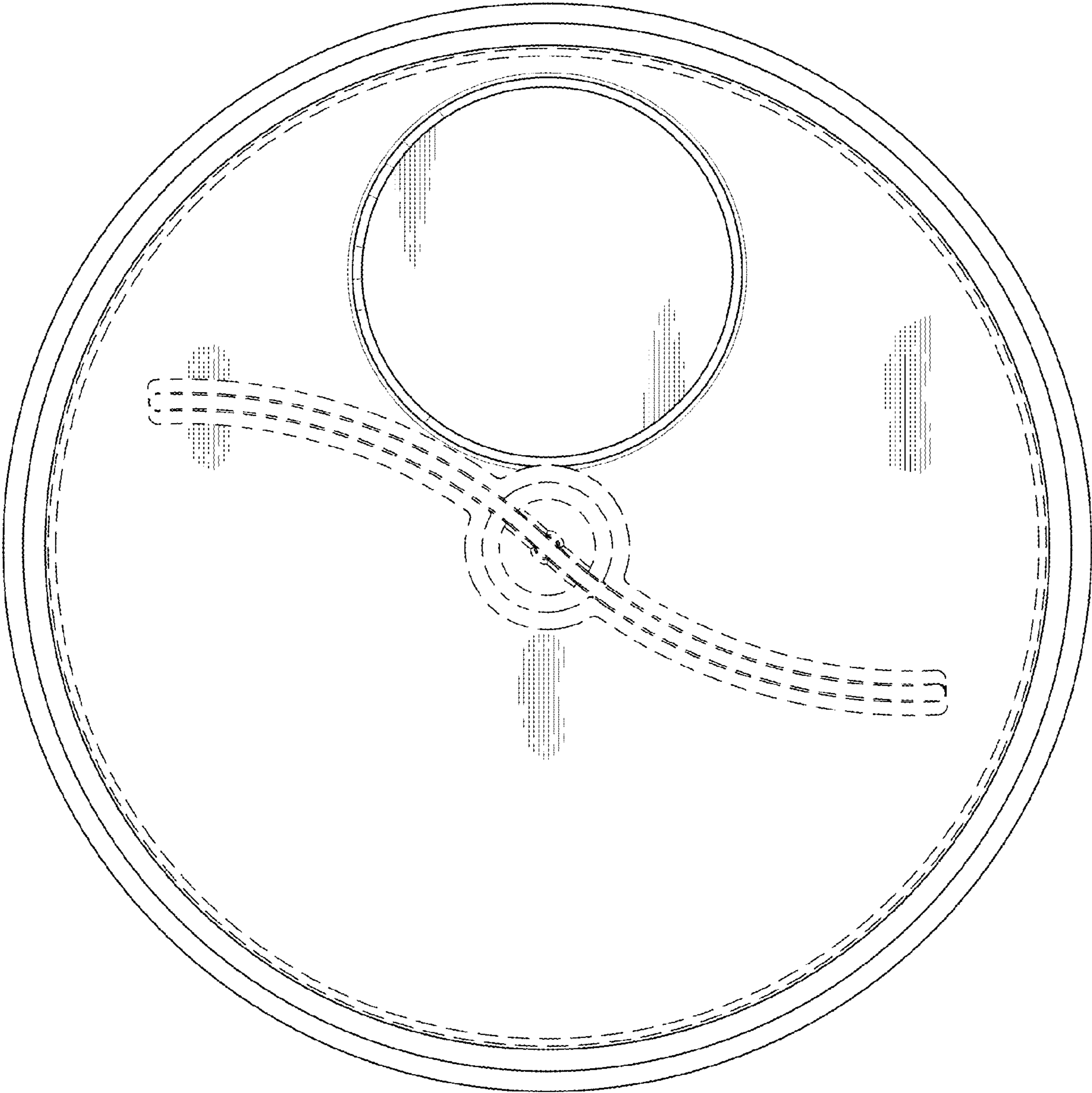


FIG. 9

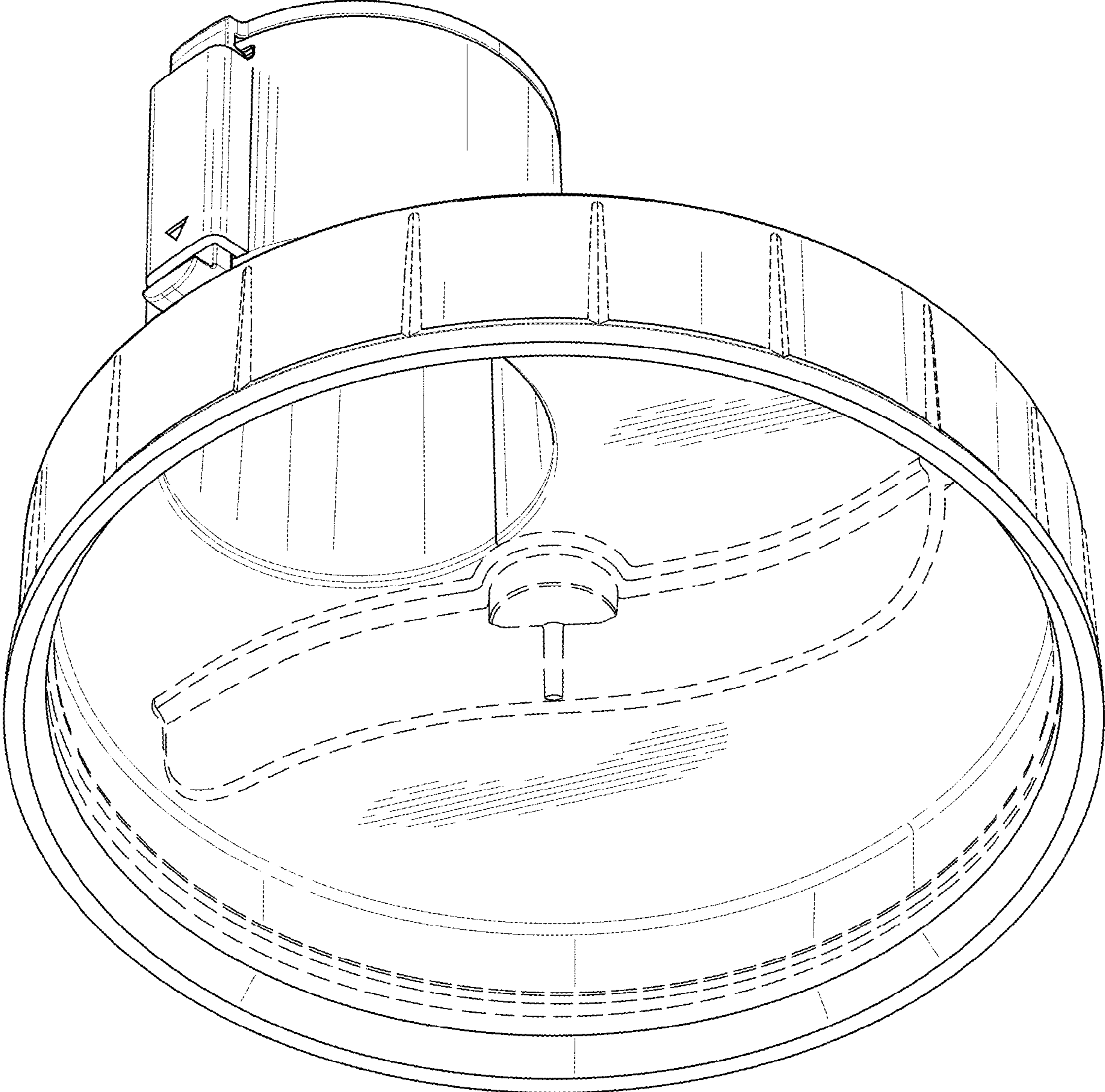


FIG. 10

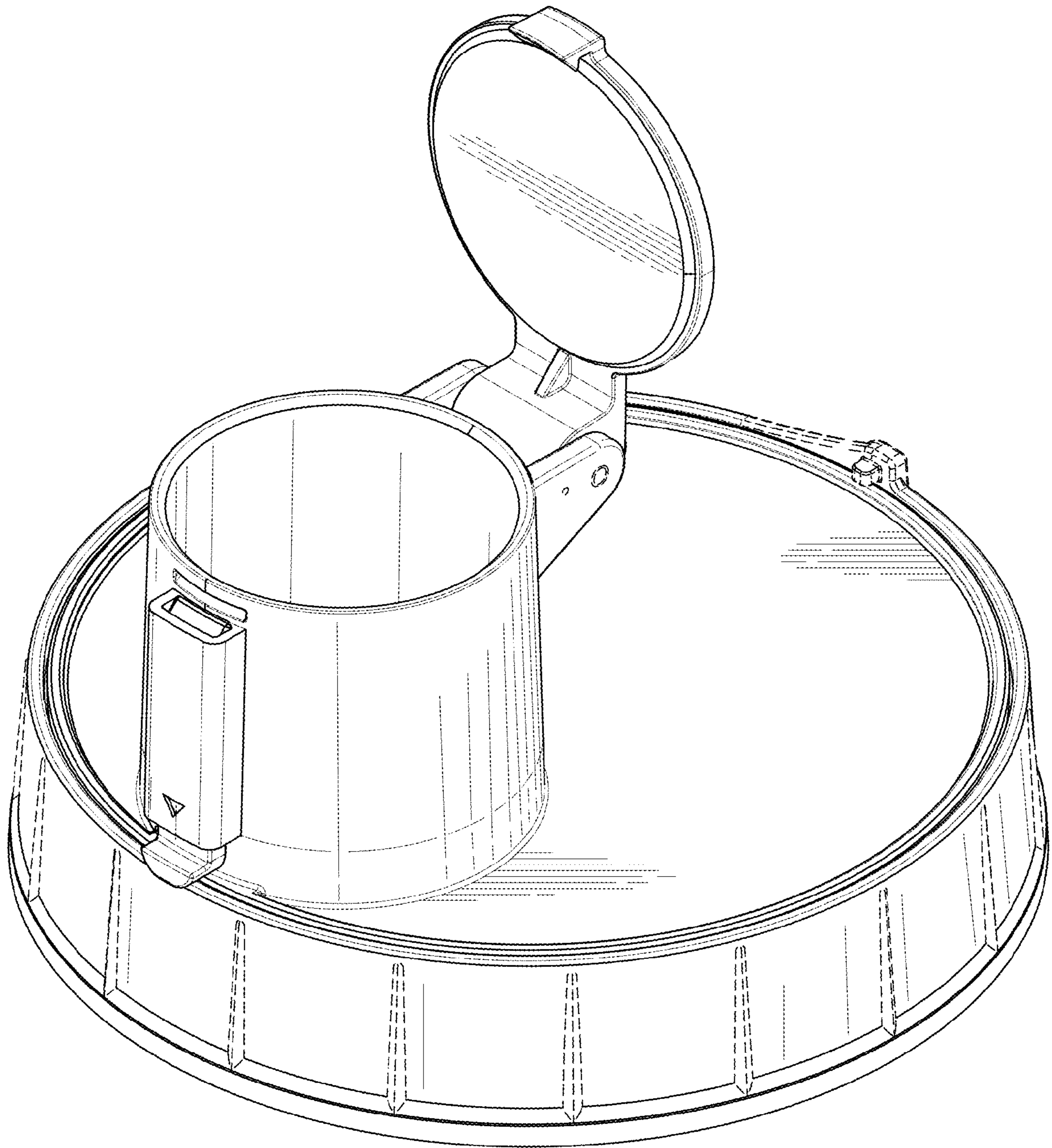


FIG. 11

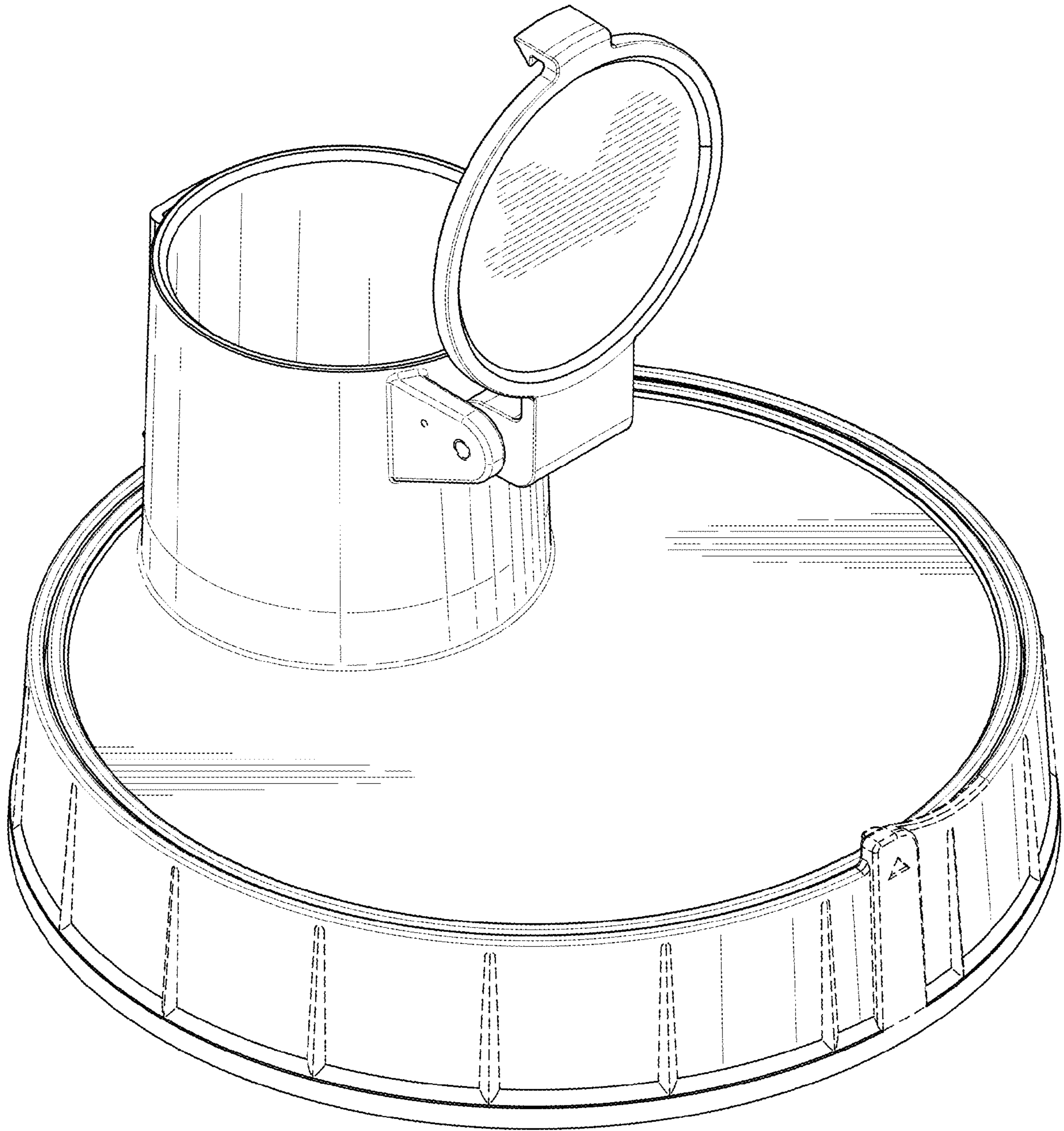


FIG. 12