



US00D896076S

(12) **United States Design Patent**
Larsson et al.

(10) **Patent No.:** **US D896,076 S**
(45) **Date of Patent:** **** Sep. 15, 2020**

(54) **MEMBRANE FOR PACKAGING**
(71) Applicant: **Å&R Carton Lund Aktiebolag**, Lund (SE)
(72) Inventors: **Lennart Larsson**, Malmö (SE);
Fredrik Konstenius, Lund (SE);
Tommy Dahlström, Löddeköpinge (SE)
(73) Assignee: **A&R CARTON LUND AKTIEBOLAG**, Lund (SE)

(**) Term: **15 Years**

(21) Appl. No.: **29/635,947**

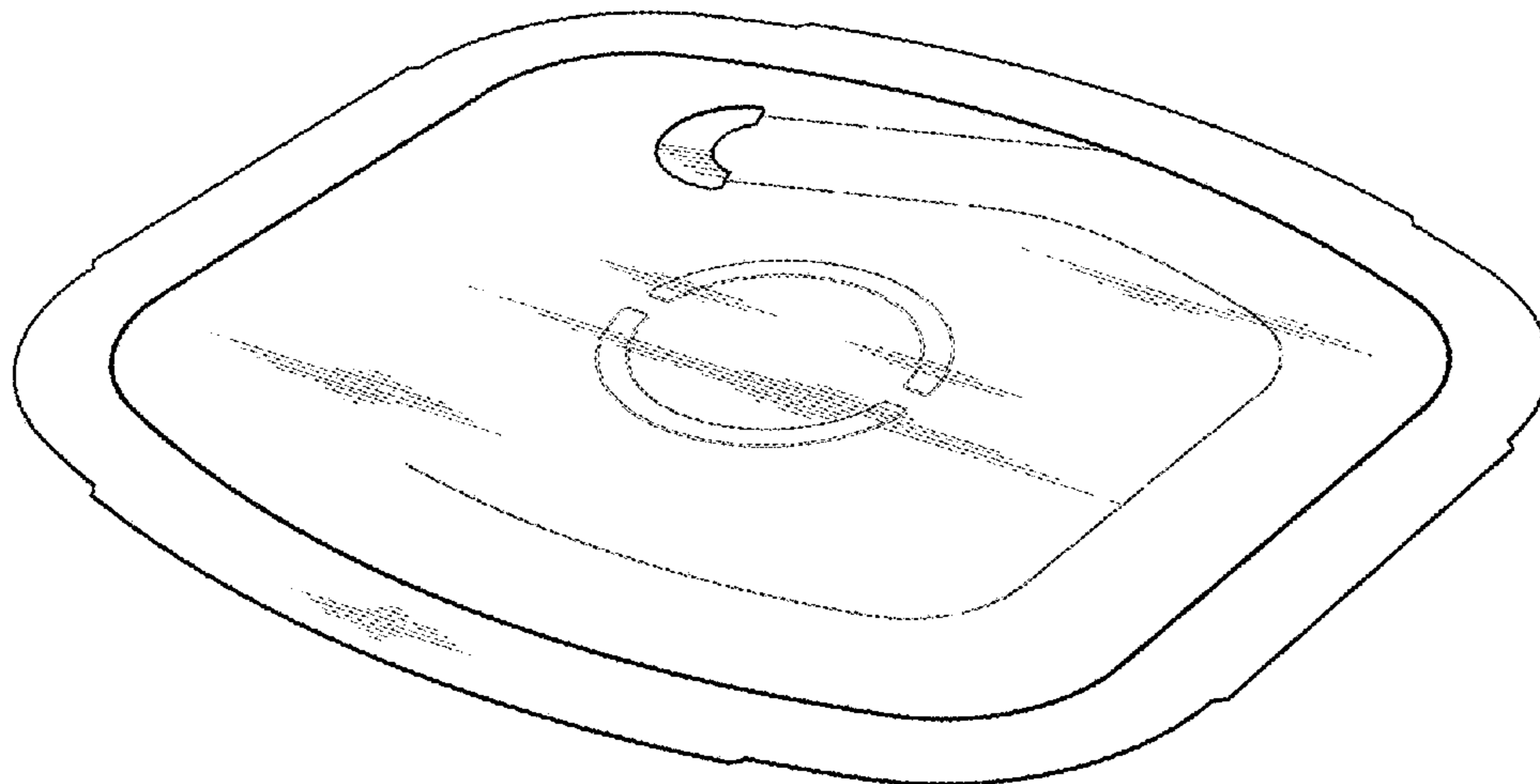
(22) Filed: **Feb. 5, 2018**

(30) **Foreign Application Priority Data**
Nov. 28, 2017 (EM) 004526531
(51) **LOC (12) Cl.** **09-07**
(52) **U.S. Cl.**
USPC **D9/438**
(58) **Field of Classification Search**
USPC D9/414, 416, 425, 434, 435, 436, 438, D9/439, 440, 442, 443, 445, 446-450, D9/452-457, 499, 503-505, 682, 685, D9/686; D7/387, 391, 392, 392.1, 393, D7/394, 396.1-396.4, 401.1, 503-505, D7/509-511, 538, 900; D3/201, 202, D3/203.2, 318; D28/91, 91.1
CPC .. A61J 1/00; A61J 1/1412; B65D 1/00; B65D 1/02; B65D 1/10; B65D 1/46; B65D 2585/56; B65D 2585/545; B65D 41/00; B65D 41/38; B65D 41/56; B65D 41/62; B65D 47/00; B65D 47/06; B65D 47/08; B65D 2543/00046; B65D 2543/00092;
(Continued)

(56) **References Cited**
U.S. PATENT DOCUMENTS
3,441,171 A * 4/1969 Stec B65D 17/4011 D9/438
D214,880 S * 8/1969 Stec D9/438
(Continued)
Primary Examiner — Wendy L Arminio
(74) *Attorney, Agent, or Firm* — Tucker Ellis LLP

(57) **CLAIM**
The ornamental design for a membrane for packaging, as shown and described.

DESCRIPTION
FIG. 1 is a front-right-top perspective view of a first embodiment of a membrane for packaging showing our new design; FIG. 2 is a rear-left-bottom perspective view thereof; FIG. 3 is a top view thereof; FIG. 4 is a bottom view thereof; FIG. 5 is a front-right-top perspective view thereof with a release strip shown in a partially separated configuration; FIG. 6 is a right side view thereof; FIG. 7 is a left side view thereof; FIG. 8 is a rear view thereof; FIG. 9 is a front view thereof; FIG. 10 is a front-right-top perspective view of a second embodiment of the membrane for packaging; FIG. 11 is a rear-left-bottom perspective view thereof; FIG. 12 is a top view thereof; FIG. 13 is a bottom view thereof; FIG. 14 is a front-right-top perspective view thereof with a release strip shown in a partially separated configuration; FIG. 15 is a right side view thereof; FIG. 16 is a left side view thereof; FIG. 17 is a rear view thereof; and, FIG. 18 is a front view thereof.
(Continued)



The broken lines are for the purpose of illustrating portions of the membrane for packaging that form no part of the claimed design.

1 Claim, 10 Drawing Sheets

(58) **Field of Classification Search**

CPC B65D 2543/00296; B65D 5/46; B65D 2251/00

See application file for complete search history.

(56)

References Cited

U.S. PATENT DOCUMENTS

D276,218 S * 11/1984 Baldwin D9/443
 4,531,668 A * 7/1985 Forbes, Jr. B65D 77/206
 229/123.2
 4,848,575 A * 7/1989 Nakamura B65D 83/0805
 206/449
 4,850,503 A * 7/1989 Larsson B65D 17/4011
 220/265
 D314,338 S * 2/1991 Piltz D9/438
 D318,220 S * 7/1991 Stenberg D9/438
 5,505,326 A * 4/1996 Junko B65D 51/223
 206/222
 6,196,450 B1 * 3/2001 Varadarajan B65D 77/2044
 220/359.3
 D446,452 S * 8/2001 Buck D9/434
 D447,054 S * 8/2001 Hill D9/434
 D450,240 S * 11/2001 Haag D9/416
 6,761,283 B1 * 7/2004 Gilliam B65D 1/10
 220/212
 D548,616 S * 8/2007 Tsutsumi D9/732
 D574,703 S * 8/2008 Cassol D9/416
 D601,039 S * 9/2009 Duquet D9/732
 D605,940 S * 12/2009 Lin D9/435
 D686,502 S * 7/2013 Meyer D9/600
 D730,725 S * 6/2015 Sanfilippo D9/416
 D764,914 S * 8/2016 Sanfilippo D9/435
 D770,286 S * 11/2016 Trombetta D9/503
 D778,157 S * 2/2017 Trombetta D9/438
 D799,318 S * 10/2017 Wei D9/438
 D801,812 S * 11/2017 Wei D9/438

D802,417 S * 11/2017 Koberl D9/438
 D810,564 S * 2/2018 Wei D9/438
 D827,429 S * 9/2018 Sanfilippo D9/433
 D840,224 S * 2/2019 Wei D9/438
 D849,536 S * 5/2019 Trombetta D9/454
 2004/0226990 A1 * 11/2004 Williams B65D 3/22
 229/123.1
 2005/0167430 A1 * 8/2005 Varadarajan B65D 43/0212
 220/258.1
 2006/0283750 A1 * 12/2006 Villars B65D 83/0805
 206/494
 2007/0181522 A1 * 8/2007 Davidson B65D 47/0814
 215/228
 2007/0235512 A1 * 10/2007 Drummond B65D 77/2032
 229/123.1
 2009/0039078 A1 * 2/2009 Sanfilippo B65B 1/06
 220/4.27
 2010/0288764 A1 * 11/2010 Frost B32B 15/08
 220/200
 2011/0139650 A1 * 6/2011 Dworak A61L 2/26
 206/363
 2014/0076899 A1 * 3/2014 Ciccone B65D 43/0206
 220/276
 2015/0121815 A1 * 5/2015 Larsson B65D 51/246
 53/471
 2015/0129597 A1 * 5/2015 McBroom B65D 43/169
 220/324
 2015/0158632 A1 * 6/2015 Wilhelm B65D 25/04
 426/120
 2015/0166234 A1 * 6/2015 Wei B65D 41/325
 220/270
 2015/0251825 A1 * 9/2015 Larsson B65D 77/2024
 220/258.2
 2016/0009447 A1 * 1/2016 Rhue B65D 17/502
 220/359.2
 2016/0221740 A1 * 8/2016 Tinoco B65D 75/5855
 2017/0313482 A1 * 11/2017 Herlin B65D 25/08
 2018/0016056 A1 * 1/2018 Herlin B65D 77/245
 2018/0020876 A1 * 1/2018 Herlin B65D 15/08
 229/123.1
 2018/0022505 A1 * 1/2018 Herlin B65D 15/08
 206/216
 2019/0127107 A1 * 5/2019 Herlin B65D 3/262
 2019/0135508 A1 * 5/2019 Sunning B65D 77/20

* cited by examiner

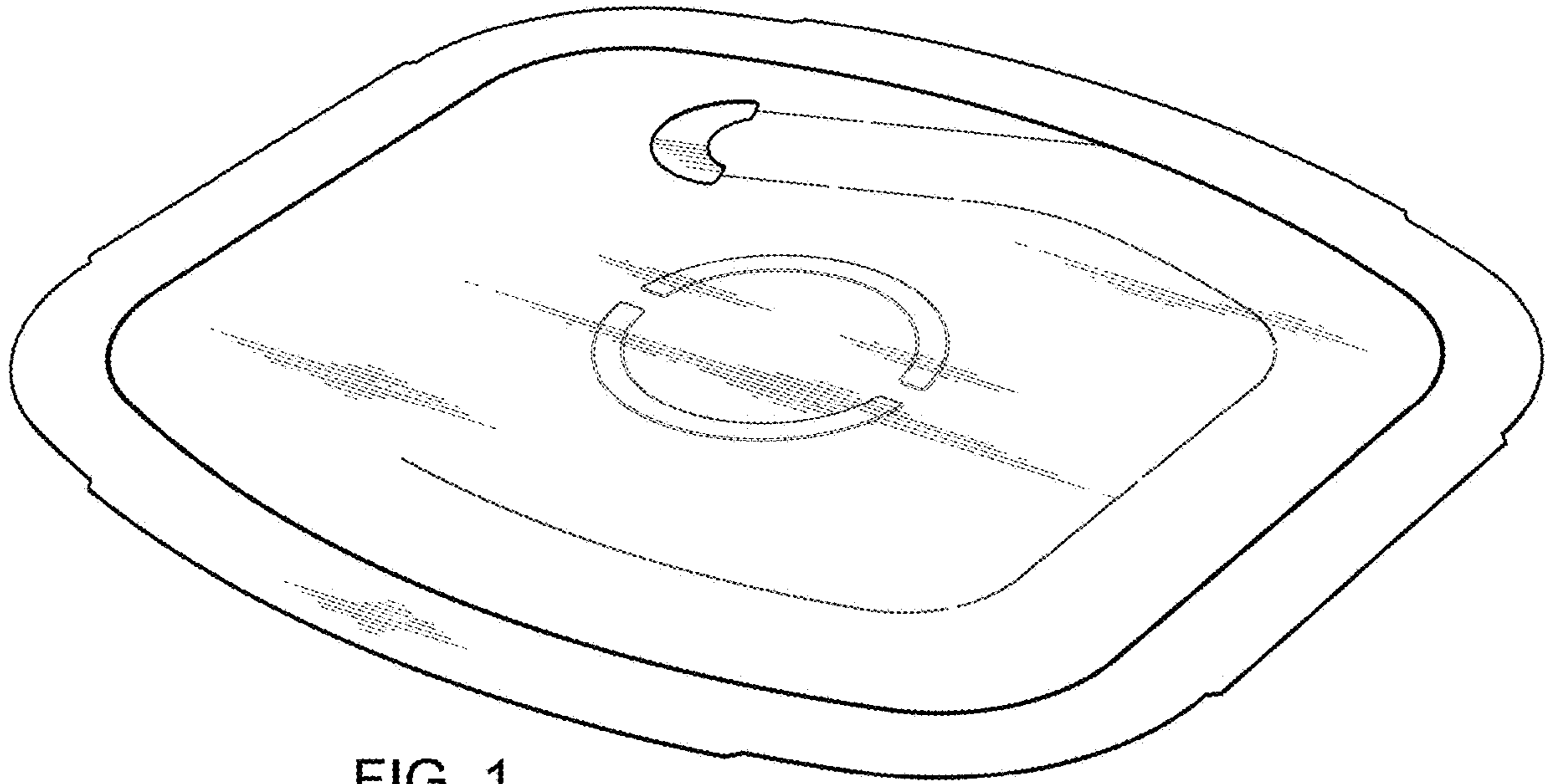


FIG. 1

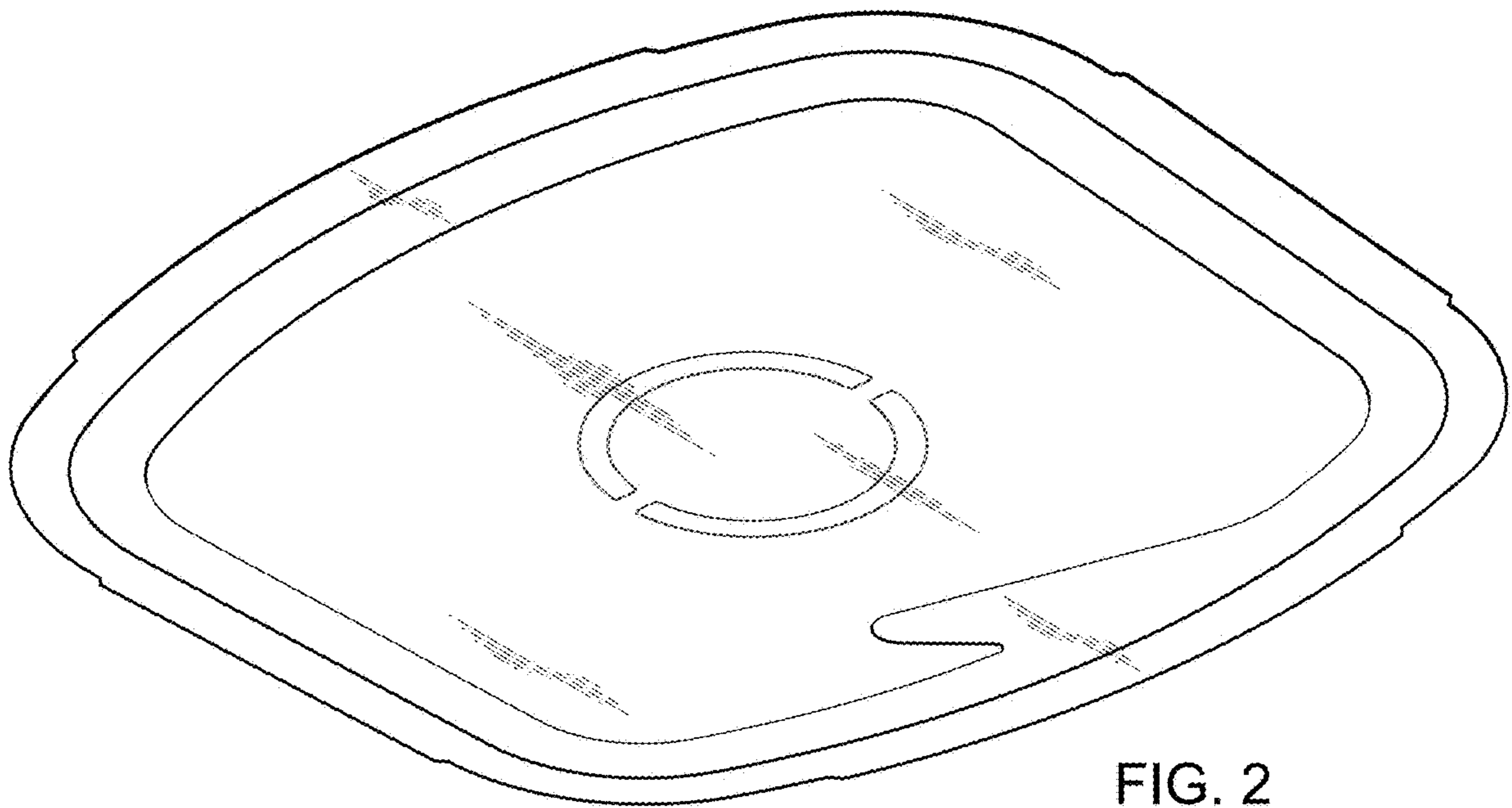


FIG. 2

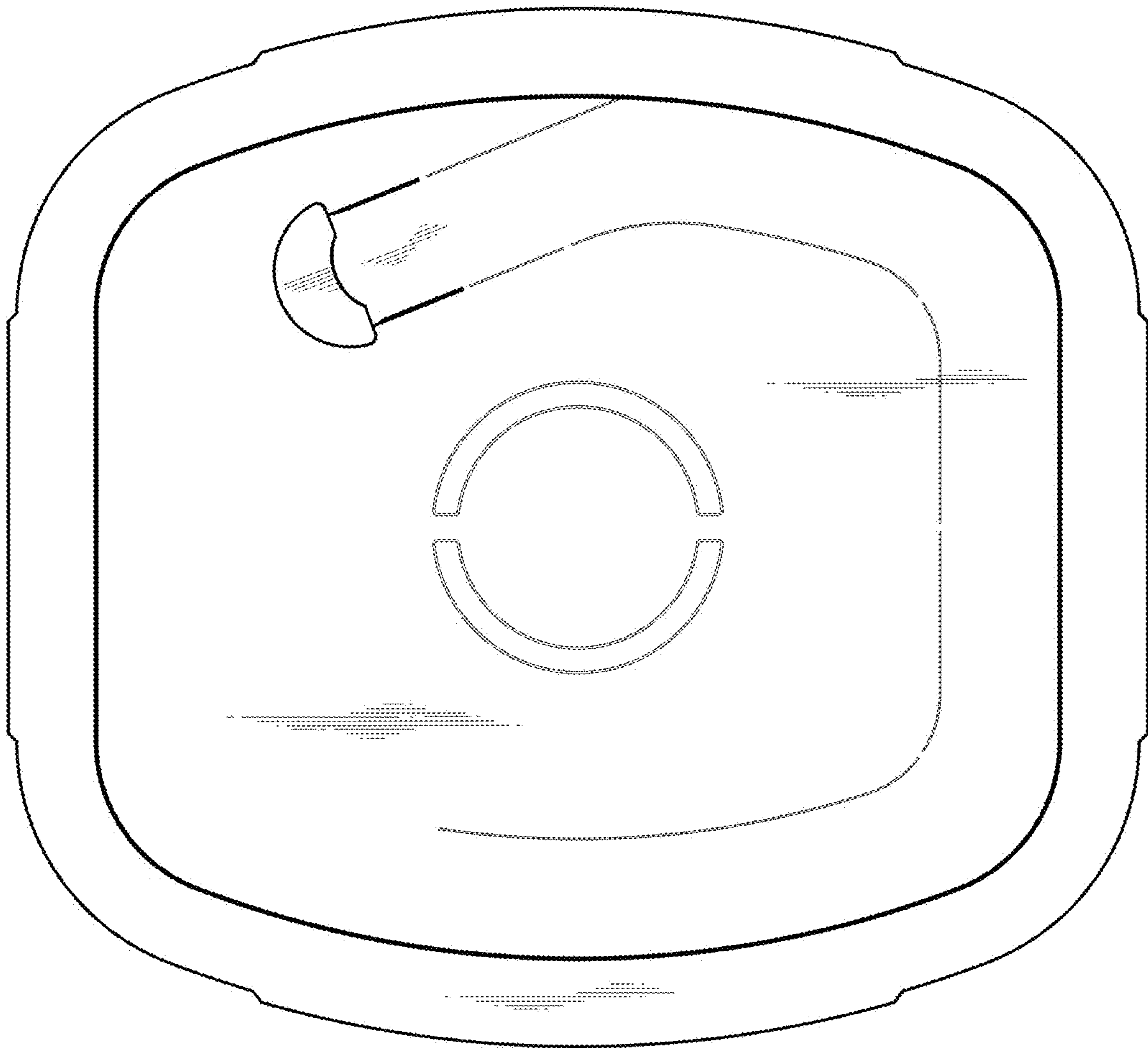


FIG. 3

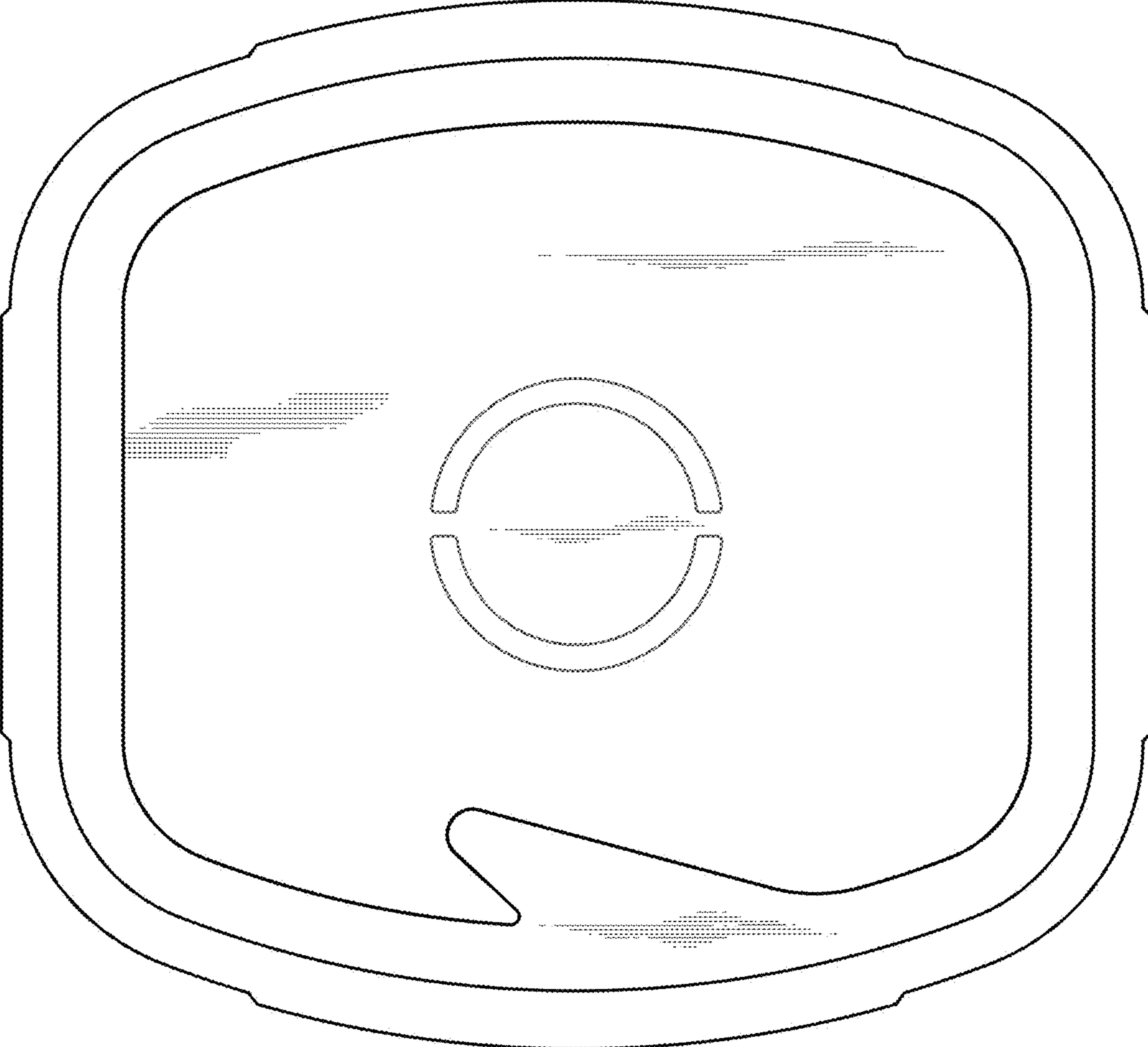


FIG. 4

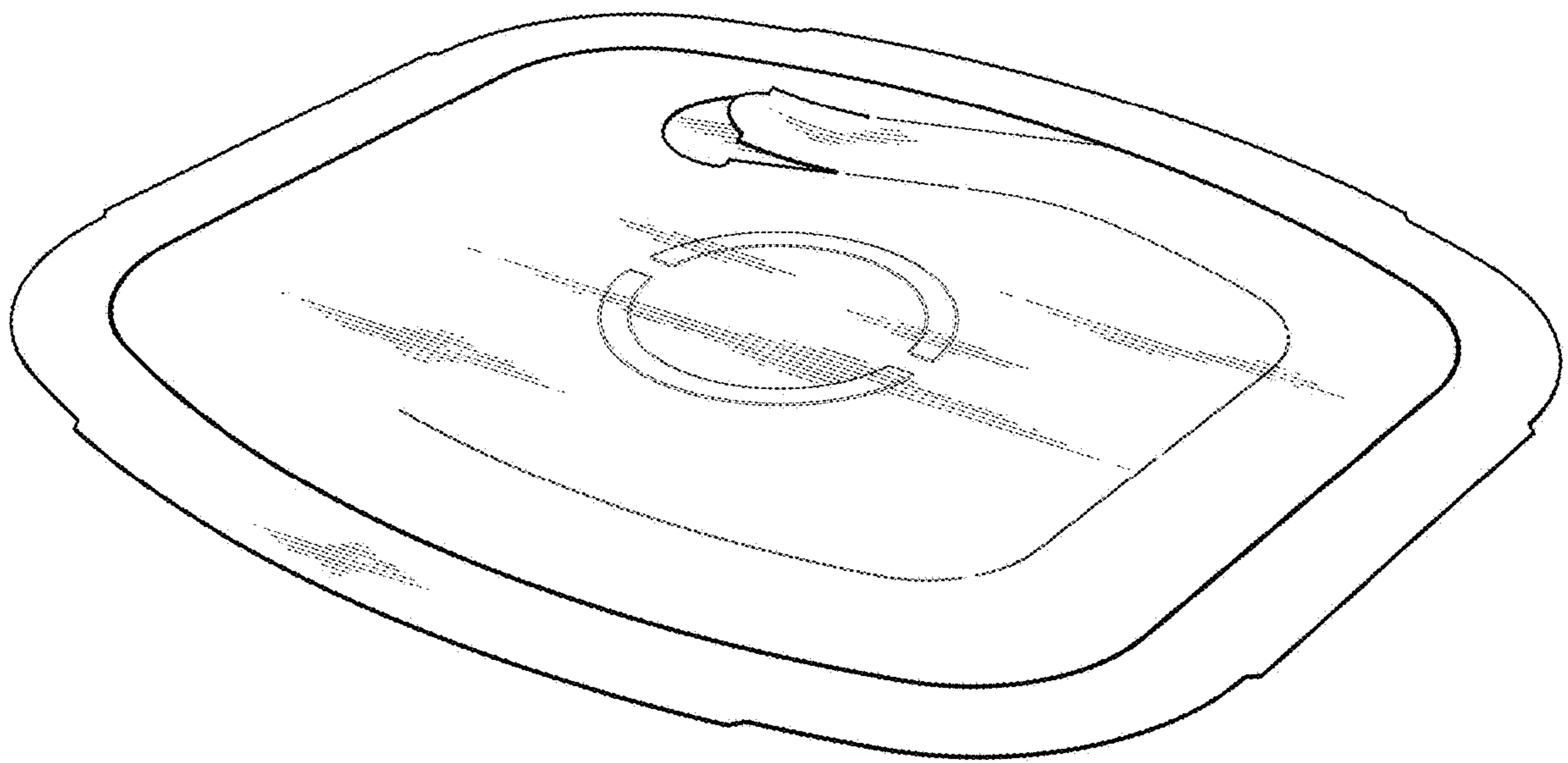


FIG. 5



FIG. 6



FIG. 7



FIG. 8



FIG. 9

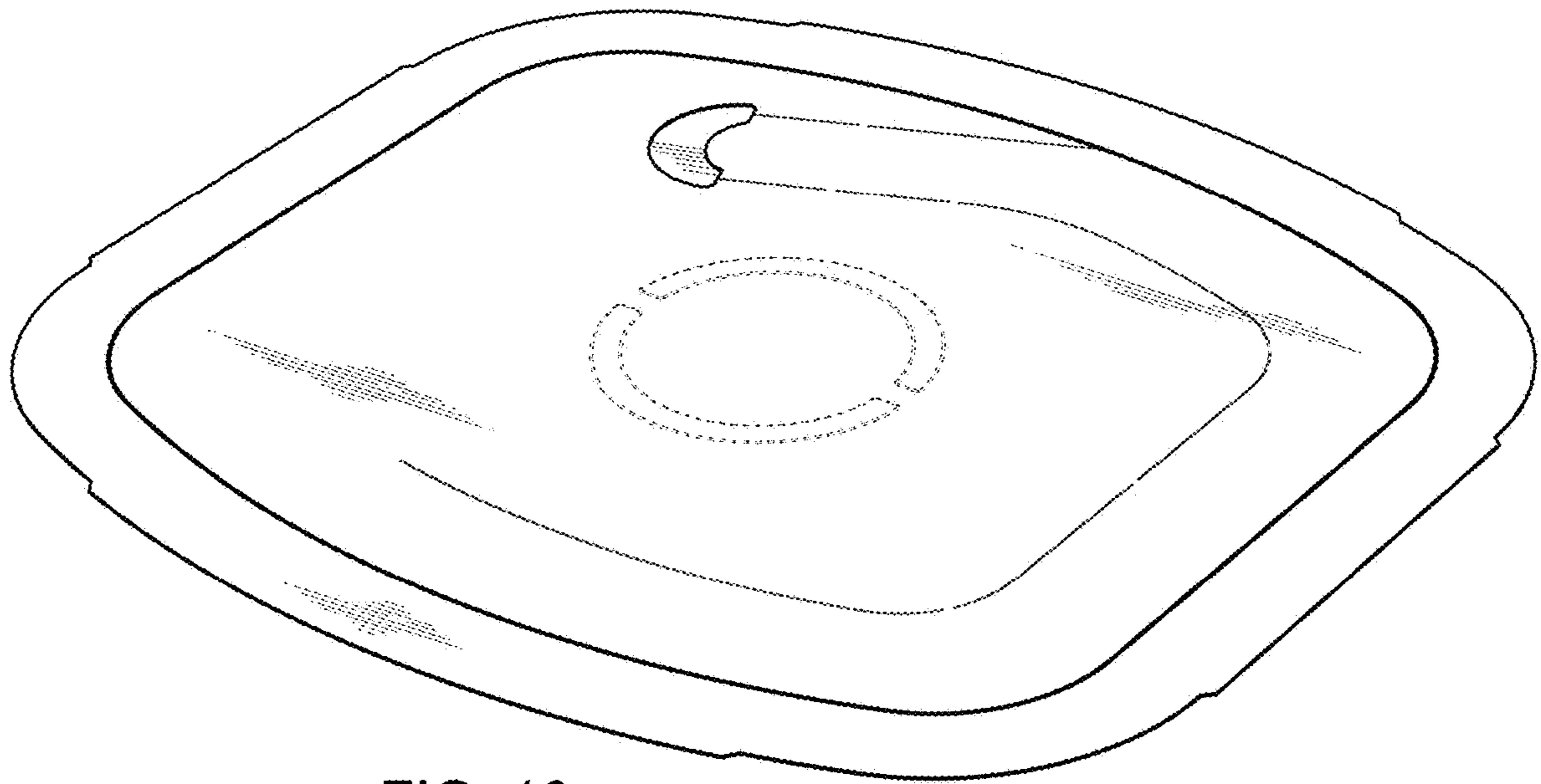


FIG. 10

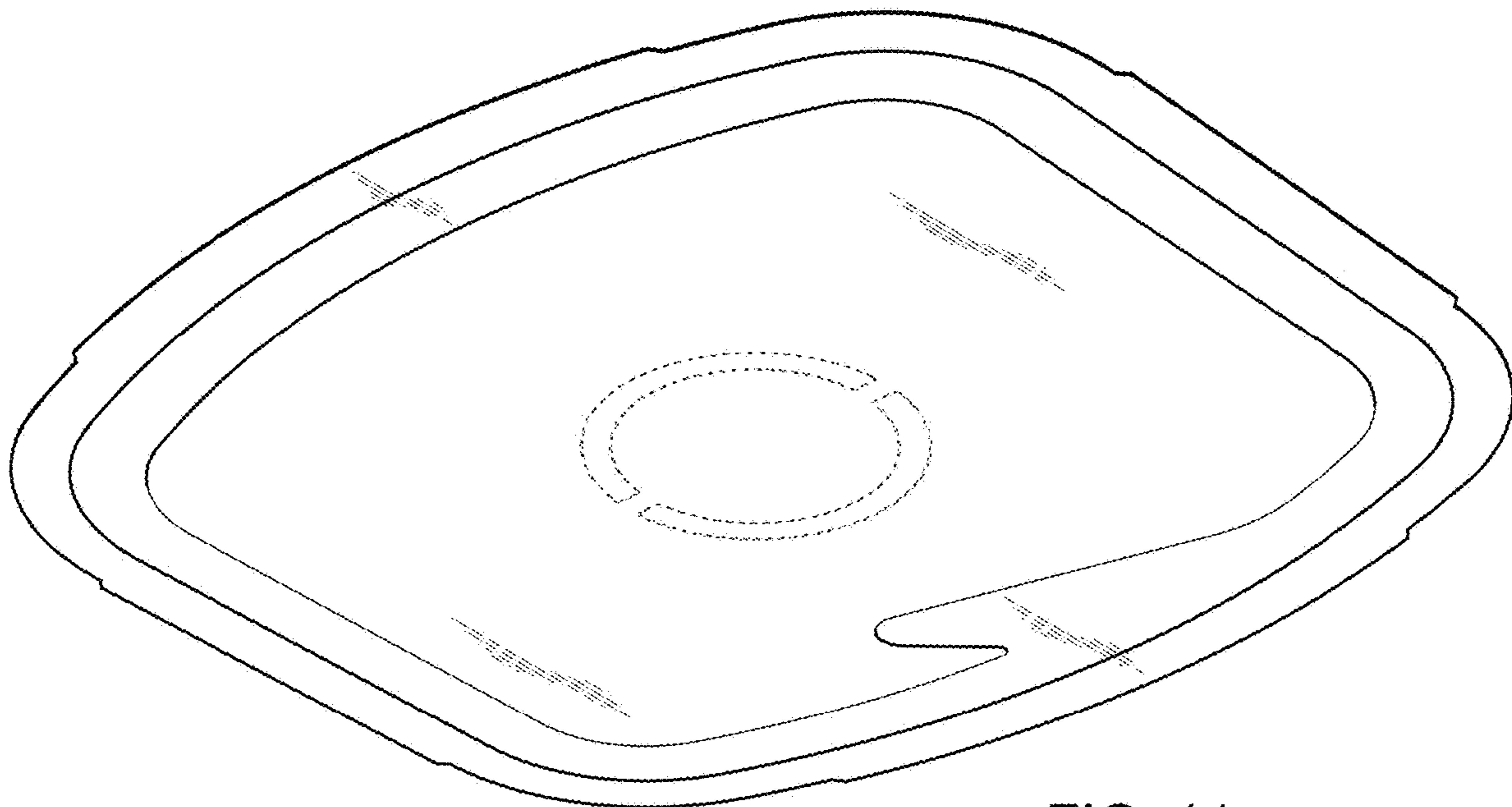


FIG. 11

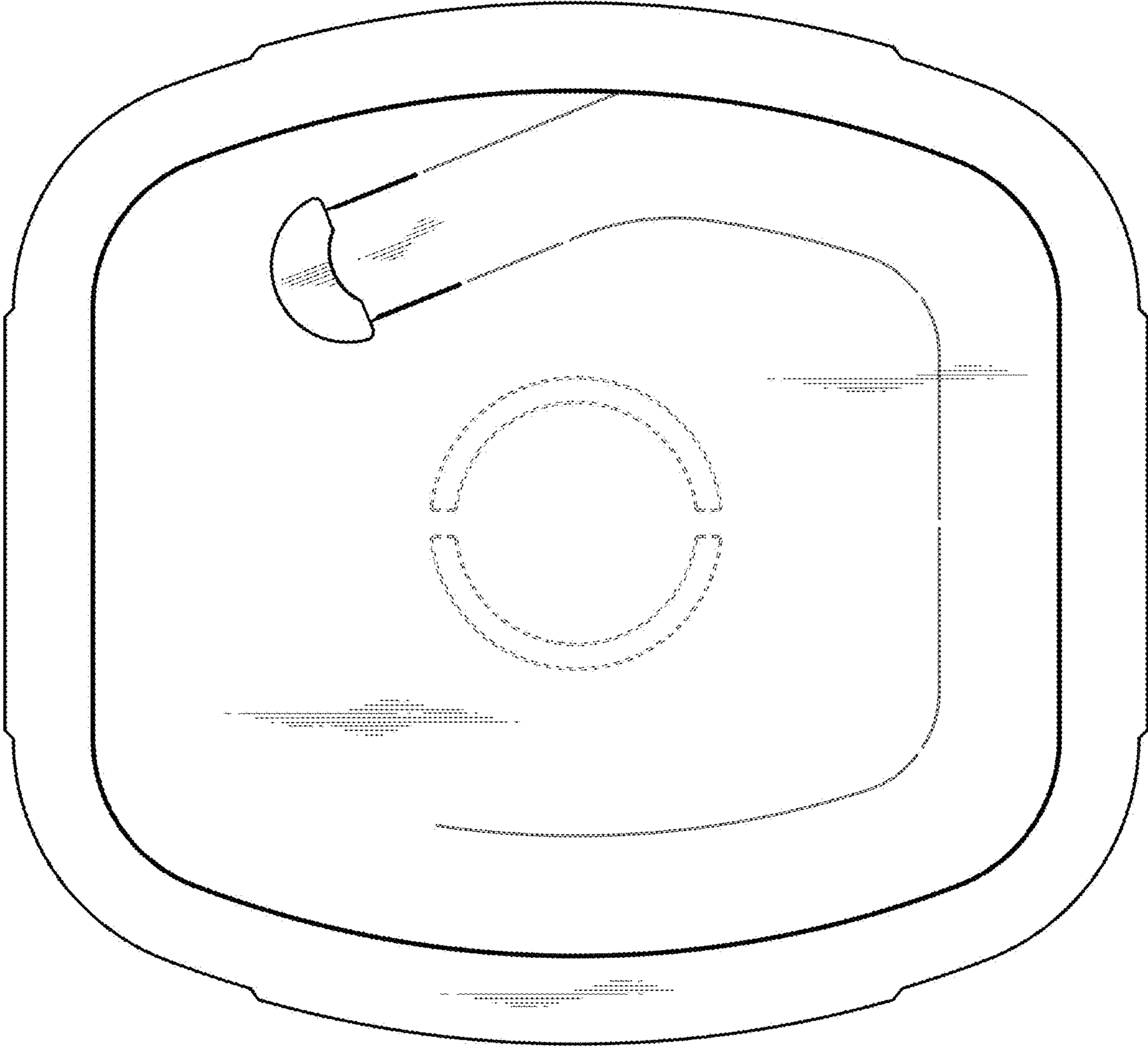


FIG. 12

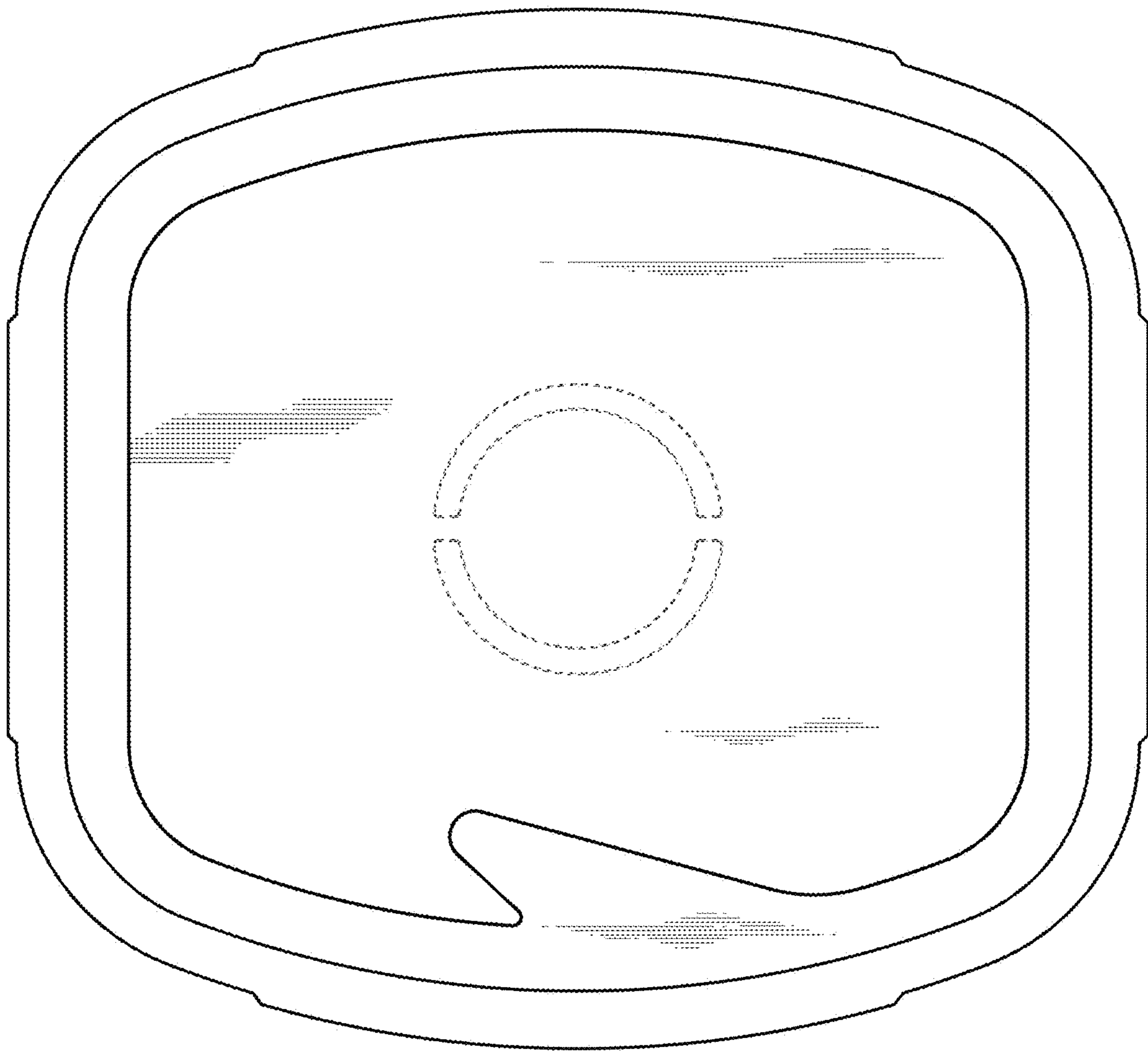


FIG. 13

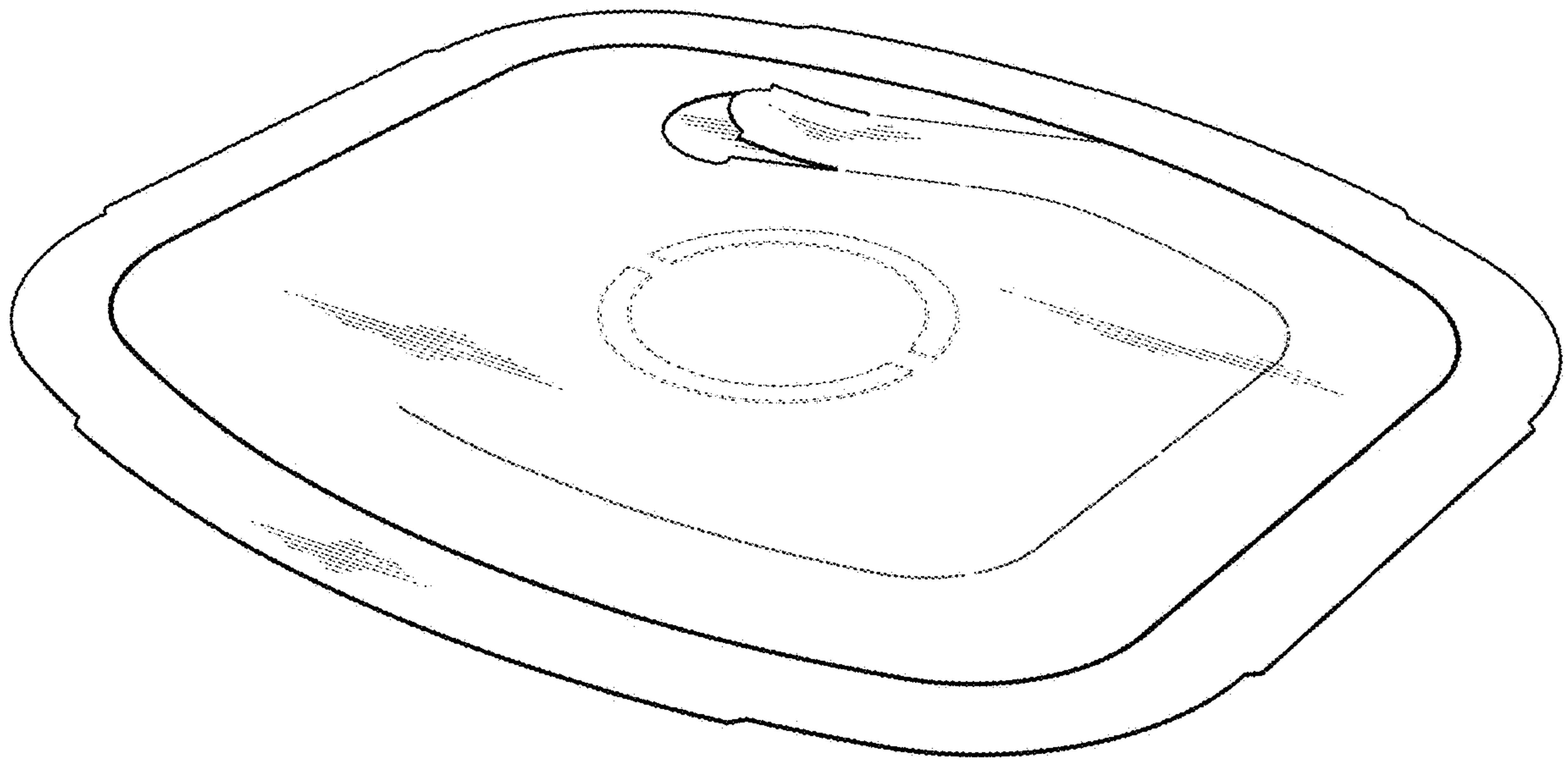


FIG. 14



FIG. 15



FIG. 16



FIG. 17



FIG. 18