

US00D896075S

(12) **United States Design Patent**
Beardell, III

(10) **Patent No.:** **US D896,075 S**

(45) **Date of Patent:** **** Sep. 15, 2020**

(54) **BOTTLE CAP**

D686,081 S * 7/2013 Colangelo D9/542
D689,774 S * 9/2013 Ford D9/544
8,556,103 B2 10/2013 Tiesberger

(Continued)

(71) Applicant: **Ideation Design Hub LLC,**
Philadelphia, PA (US)

(72) Inventor: **Louis William Beardell, III,**
Philadelphia, PA (US)

(73) Assignee: **IDEATION DESIGN HUB LLC,**
Philadelphia, PA (US)

FOREIGN PATENT DOCUMENTS

CN 302702063 1/2014
CN 302702067 1/2014

(Continued)

(**) Term: **15 Years**

(21) Appl. No.: **29/724,078**

(22) Filed: **Feb. 12, 2020**

(51) **LOC (12) Cl.** **09-07**

(52) **U.S. Cl.**
USPC **D9/435; D9/454**

(58) **Field of Classification Search**
USPC D9/434-436, 440, 443, 445, 447-450,
D9/454, 499, 516, 522, 529, 544;
D7/392.1, 396.2
CPC B65D 47/04; B65D 47/10; B65D 47/12;
B65D 47/121
See application file for complete search history.

OTHER PUBLICATIONS

Amazon. The Dairy Shoppe Heavy Glass Milk Bottles 2 Quart (64 Oz) Jugs with Extra Lids & Free Pour Spout! (2, 64 oz). Apr. 29, 2016. <https://www.amazon.com/Dairy-Shoppe-Heavy-Glass-Bottles/dp/B01EZ3P9RQ> (Year: 2016).*

(Continued)

Primary Examiner — Darcey E Gottschalk
(74) *Attorney, Agent, or Firm* — Morgan, Lewis & Bockius LLP

(57) **CLAIM**

The ornamental design for a bottle cap, as shown and described.

DESCRIPTION

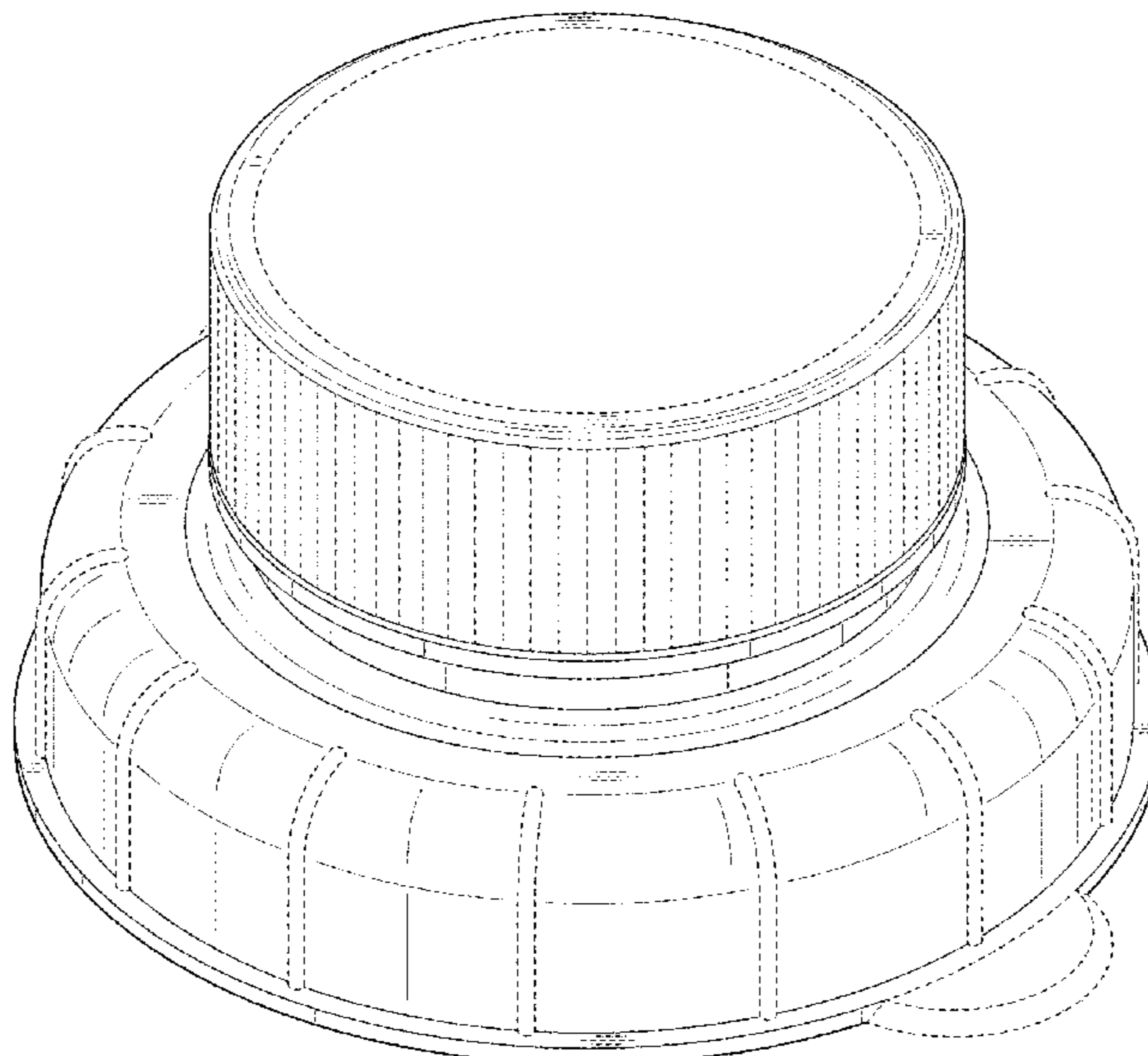
FIG. 1 is a front perspective view of a bottle cap showing our new design;
FIG. 2 is a front elevational view thereof;
FIG. 3 is a rear elevational view thereof;
FIG. 4 is a left-side elevational view thereof;
FIG. 5 is a right-side elevational view thereof;
FIG. 6 is a top plan view thereof;
FIG. 7 is a bottom plan view thereof; and,
FIG. 8 is an enlarged front perspective view of the bottle cap shown in FIG. 1 with the container removed.
The broken lines illustrate structure or features that form no part of the claimed design.

(56) **References Cited**

U.S. PATENT DOCUMENTS

D286,027 S 10/1986 Waher et al.
D398,851 S 9/1998 Gaiser et al.
6,102,227 A 8/2000 Cochrane
D495,599 S 9/2004 Biesecker
D503,886 S 4/2005 Biesecker
D551,081 S * 9/2007 Ohara D9/516
D612,738 S * 3/2010 Bansal D9/447
D619,001 S 7/2010 McKinney
D630,946 S * 1/2011 Crawford D9/516
D657,665 S * 4/2012 Rivera D9/516
D674,146 S * 1/2013 Bae D28/76
D684,863 S * 6/2013 Snyder D9/454

1 Claim, 5 Drawing Sheets



(56)

References Cited

U.S. PATENT DOCUMENTS

D723,373 S * 3/2015 Wahl D9/449
 D733,967 S * 7/2015 Schlatter D28/85
 D748,485 S * 2/2016 Marret D9/529
 D754,537 S 4/2016 Prozumenshchikov
 D754,999 S 5/2016 Gamelli
 D761,607 S 7/2016 Gamelli et al.
 D761,608 S 7/2016 Gamelli et al.
 D761,609 S 7/2016 Gamelli et al.
 D768,492 S * 10/2016 Kim D9/434
 D769,043 S 10/2016 Gamelli et al.
 D784,155 S * 4/2017 De Baschmakoff D9/454
 D784,820 S * 4/2017 Kuzma D9/544
 D788,587 S * 6/2017 Clemence D9/516
 D791,542 S 7/2017 Miksovsky et al.
 D792,223 S * 7/2017 Kim D9/559
 9,714,121 B2 7/2017 Gamelli
 D797,498 S 9/2017 Sorensen et al.
 D814,298 S * 4/2018 Ramon D9/444
 D836,977 S 1/2019 Sorensen et al.

D845,126 S 4/2019 Prozumenshchikov
 D858,284 S * 9/2019 Murac D9/454
 D881,007 S * 4/2020 Christianson D9/448
 2015/0050405 A1 2/2015 Trager et al.

FOREIGN PATENT DOCUMENTS

CN	304296736	9/2014
CN	303717614	6/2016
CN	303726529	6/2016
CN	304217930	7/2017
CN	304454178	1/2018
JP	D1338348	8/2007

OTHER PUBLICATIONS

Closure Systems International. Flex-Chuck. no date specified. <https://csiclosures.com/en/Equipment%20And%20Services/Headsets%20And%20Chucks/Flex%20Chuck> (Year: 0).*

* cited by examiner

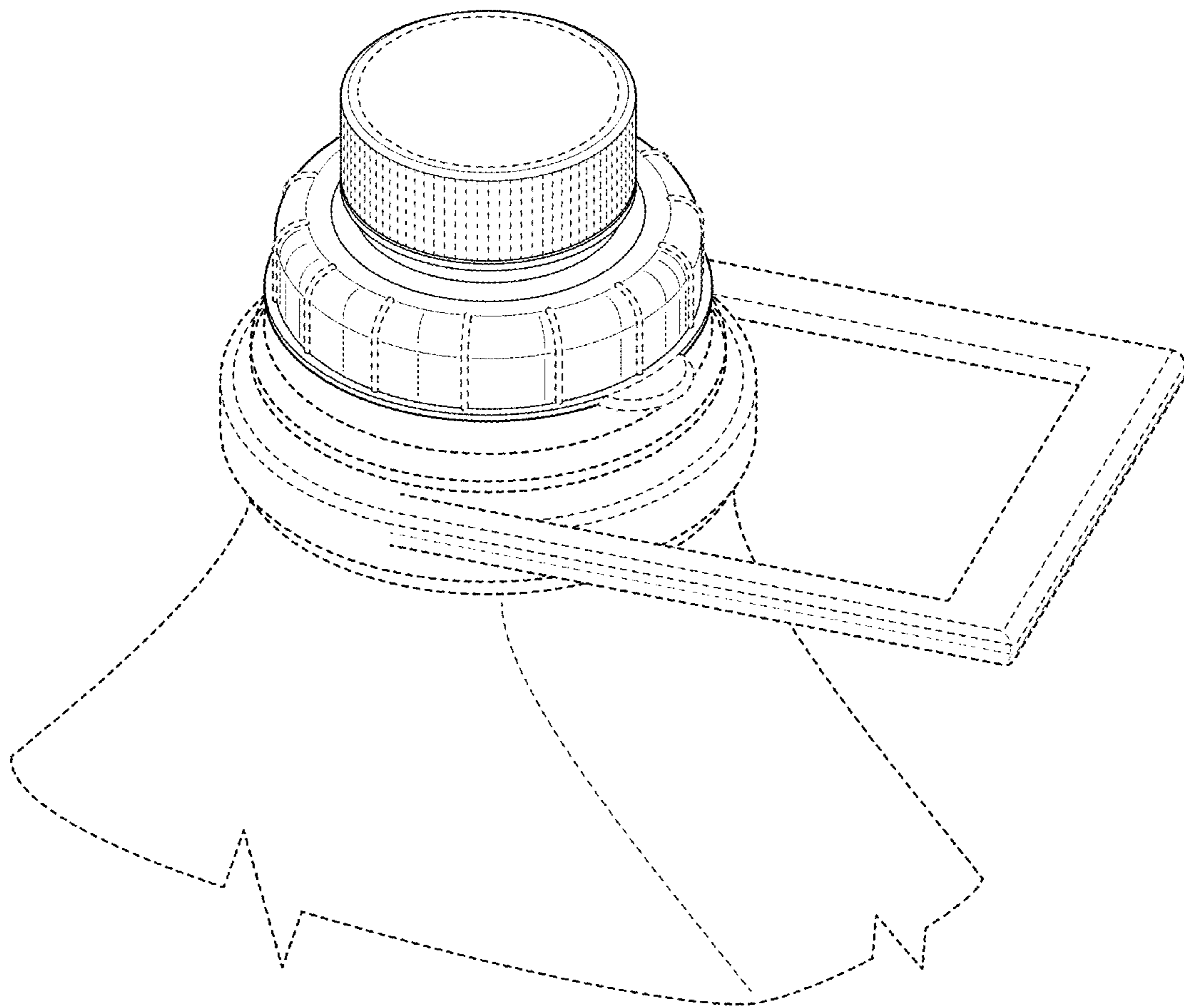


FIG. 1

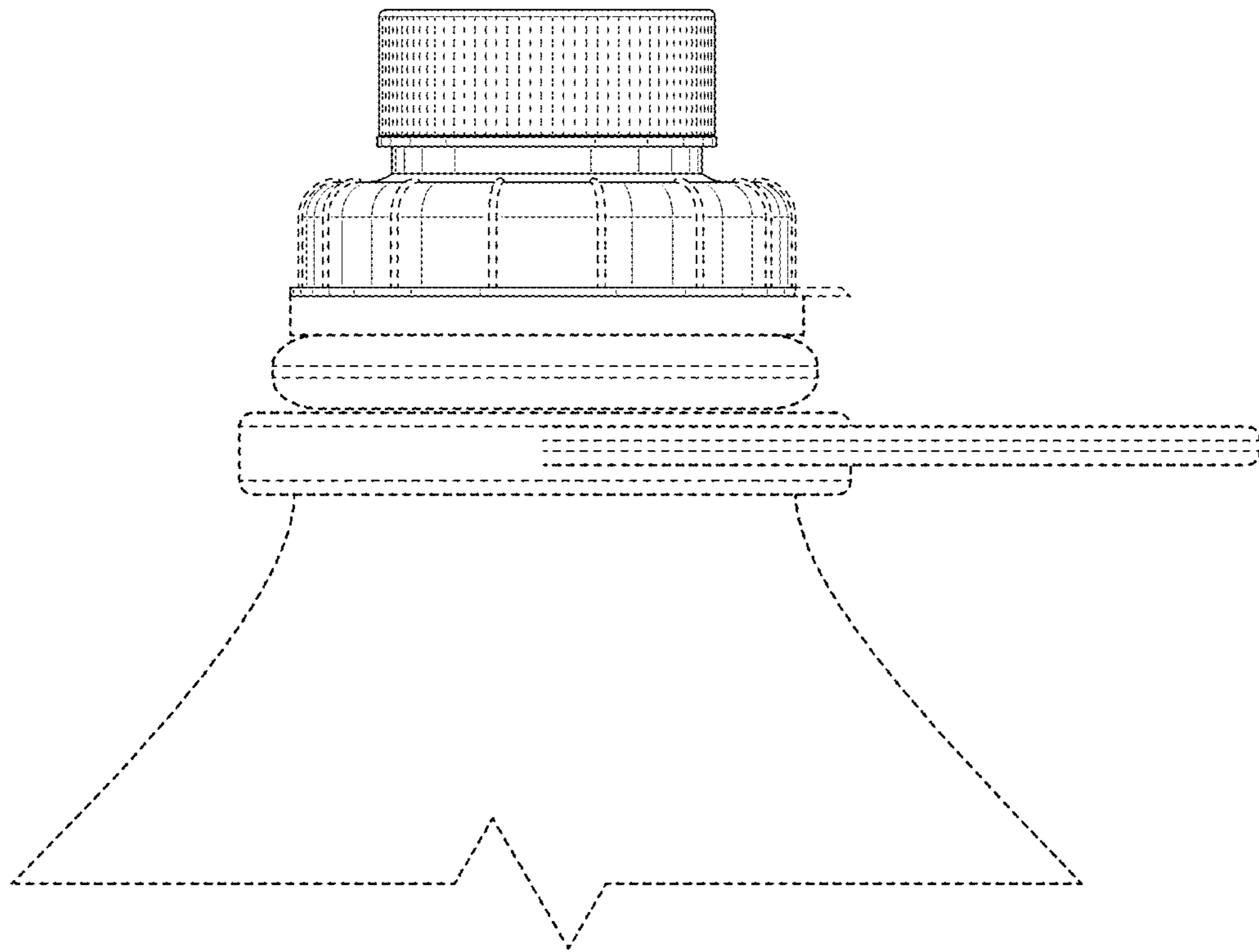


FIG. 2

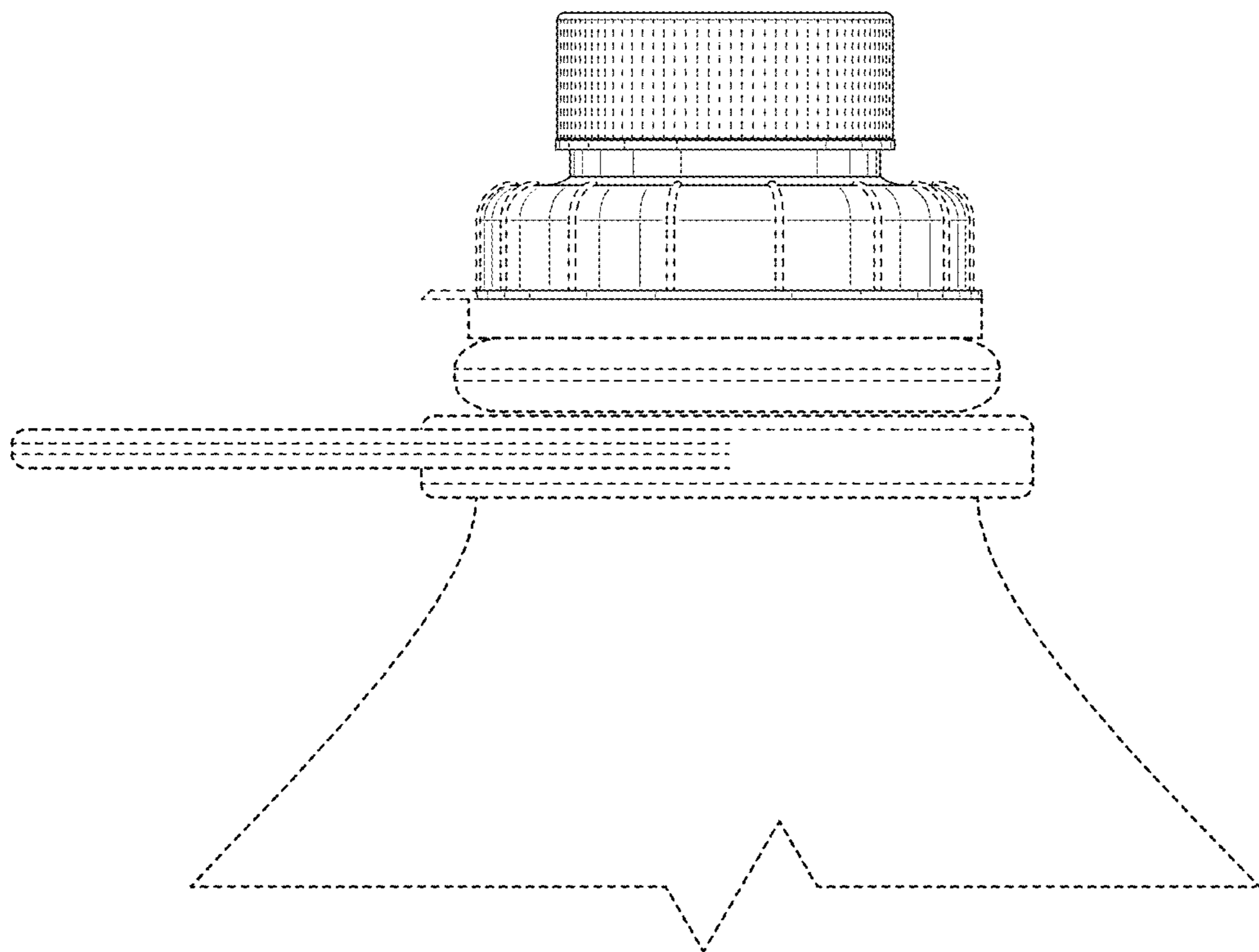


FIG. 3

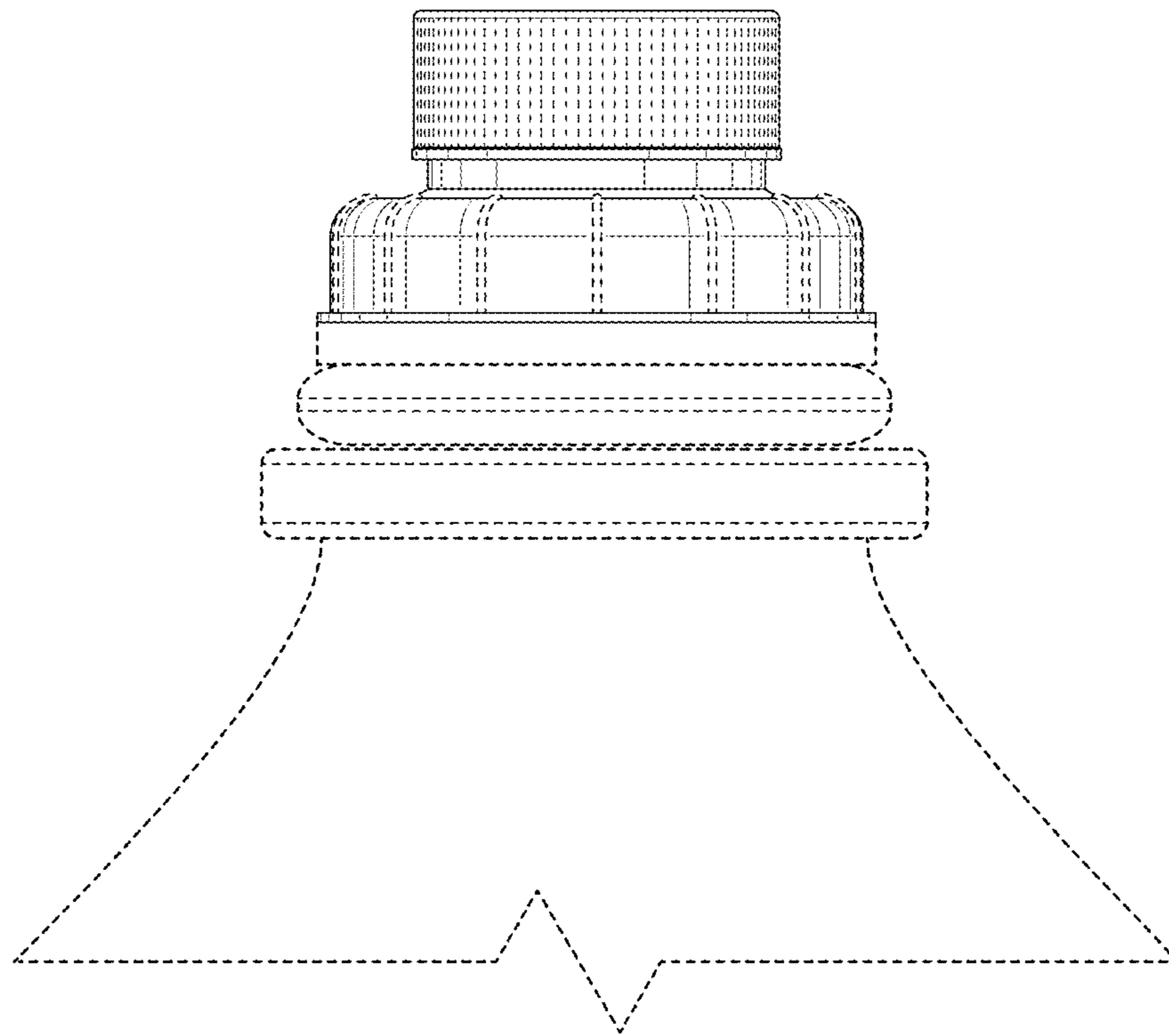


FIG. 4

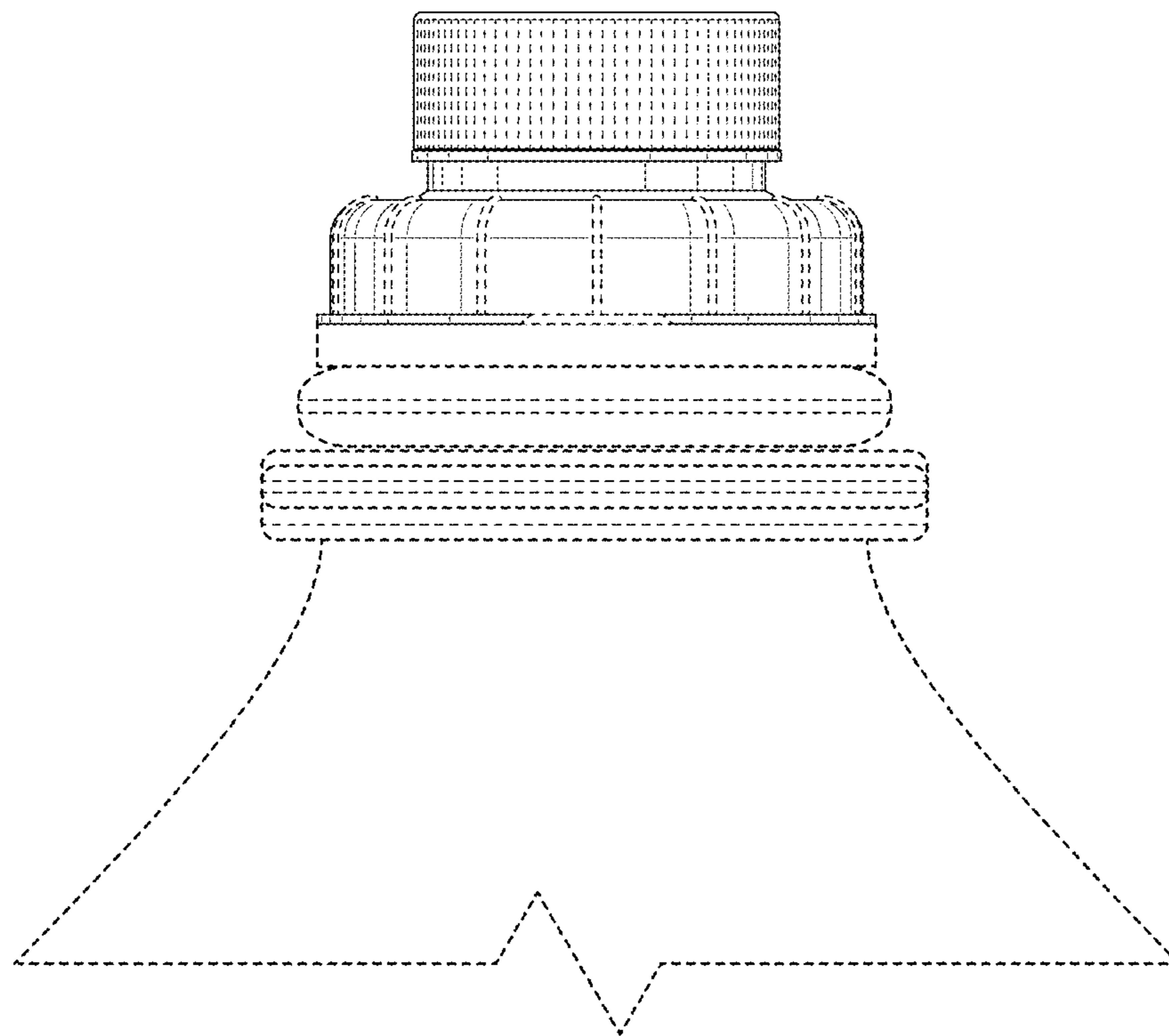


FIG. 5

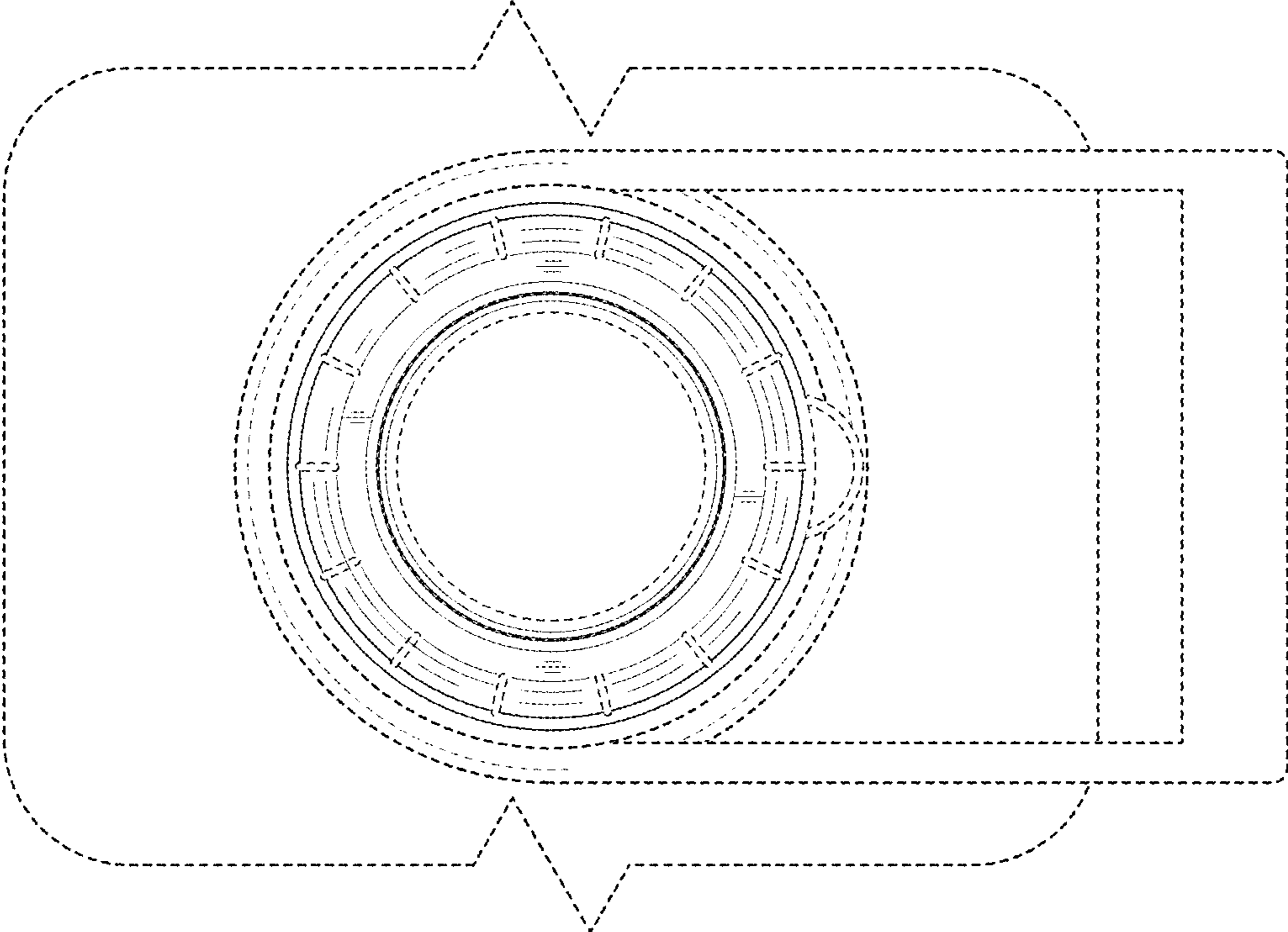


FIG. 6

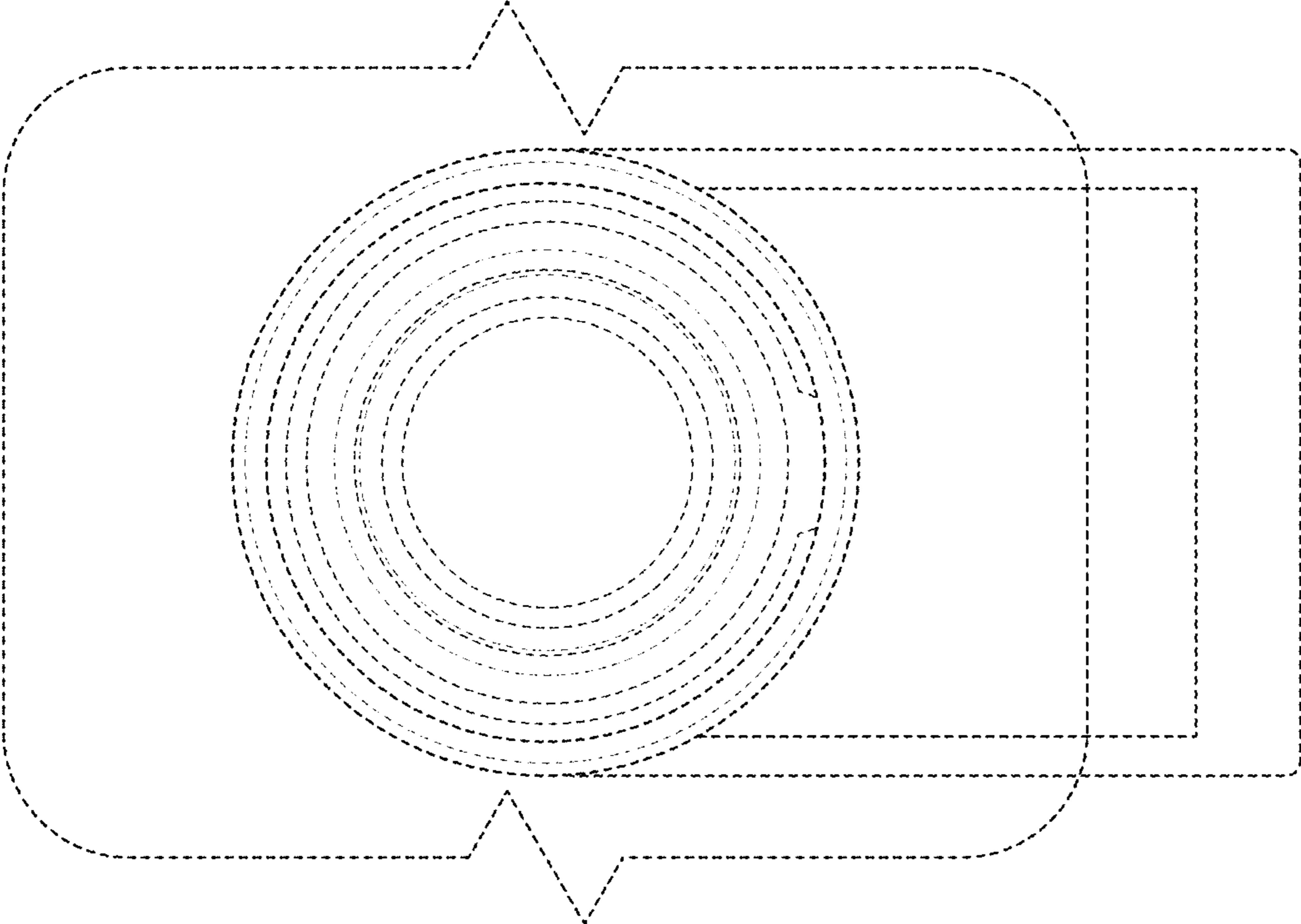


FIG. 7

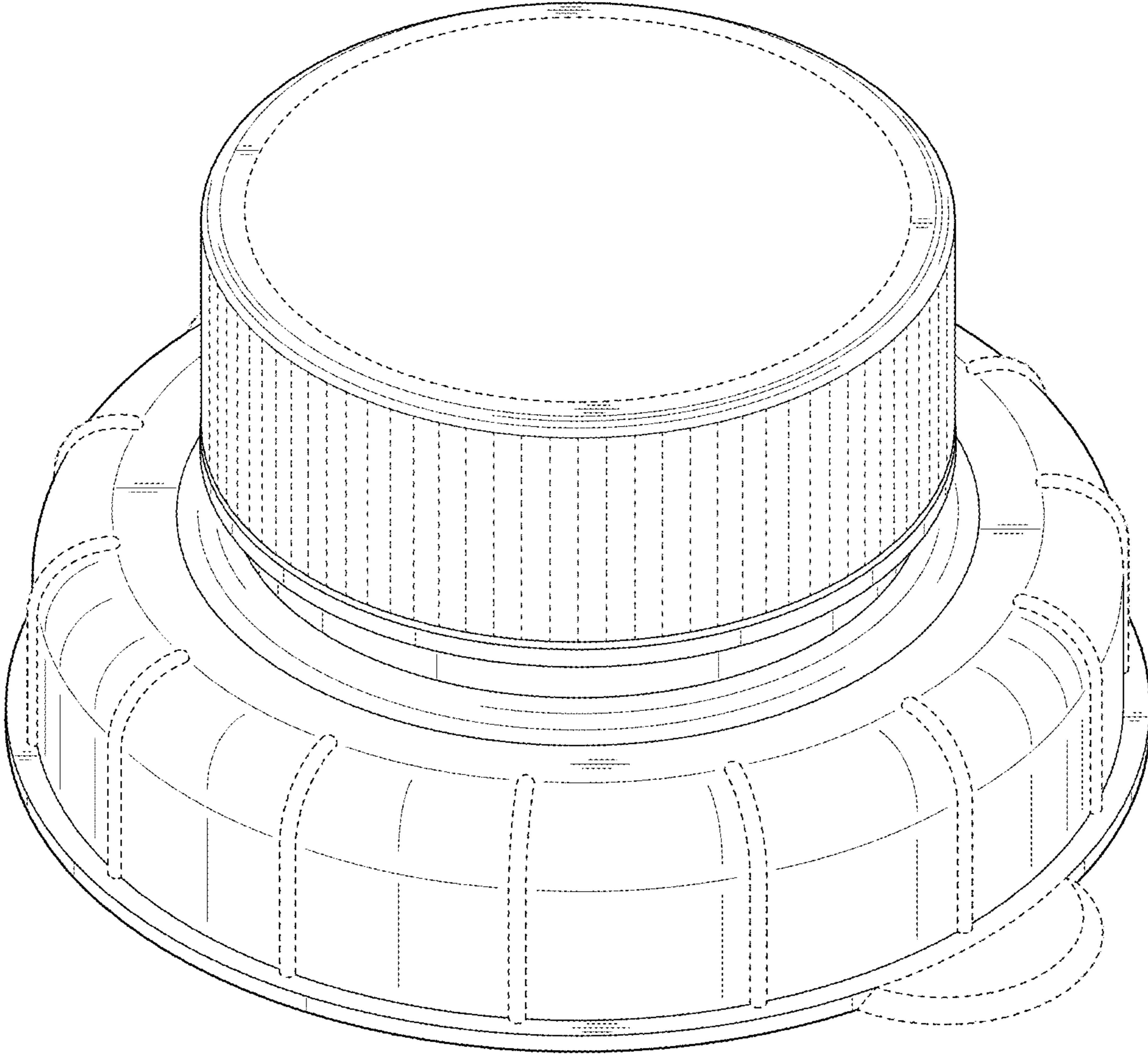


FIG. 8