



US00D896073S

(12) **United States Design Patent** (10) **Patent No.:** **US D896,073 S**  
**Temple, Jr. et al.** (45) **Date of Patent:** **\*\* Sep. 15, 2020**

- (54) **BEVERAGE POD**
- (71) Applicant: **Spartech LLC**, St. Louis, MO (US)
- (72) Inventors: **Loren F. Temple, Jr.**, Muncie, IN (US);  
**Paul N. Hamon**, Fishers, IN (US)
- (73) Assignee: **SPARTECH, LLC**, St. Louis, MO (US)
- (\*\*) Term: **15 Years**
- (21) Appl. No.: **29/694,827**
- (22) Filed: **Jun. 13, 2019**

D434,440	S	*	11/2000	Lawton	.....	D10/64
D474,110	S		5/2003	Sweeney		
D505,882	S	*	6/2005	Hensen	.....	D11/152
D578,829	S	*	10/2008	Freeman	.....	D7/584
D589,737	S		4/2009	Wang		
D675,519	S	*	2/2013	Knuston	.....	D9/429
D682,622	S	*	5/2013	Keys	.....	D7/586
D698,649	S		2/2014	Quint		
D748,436	S	*	2/2016	Kent	.....	D7/545
D766,078	S		9/2016	Hansen		
D775,198	S	*	12/2016	Montes	.....	D14/489
2002/0125169	A1	*	9/2002	Bores	.....	H01L 21/67379 206/711
2010/0064899	A1		3/2010	Aardenburg		
2012/0171332	A1		7/2012	Lai et al.		

(Continued)

**Related U.S. Application Data**

- (62) Division of application No. 29/599,591, filed on Apr. 5, 2017, now Pat. No. Des. 854,411.
- (51) **LOC (12) Cl.** ..... **09-03**
- (52) **U.S. Cl.**  
USPC ..... **D9/434**
- (58) **Field of Classification Search**  
USPC ..... D7/400, 538-542, 602, 608, 629;  
D9/414, 420, 424-426, 428, 429, 432,  
D9/500, 761; 206/501-509; 220/781,  
220/791, 793, 811-813, 835, 839  
CPC ..... B65D 1/24; B65D 25/04; B65D 43/03;  
B65D 43/16; B65D 43/0212  
See application file for complete search history.

**References Cited**

**U.S. PATENT DOCUMENTS**

4,728,425	A		3/1988	Sandvig		
5,533,636	A	*	7/1996	Reiker	.....	E04B 9/006 174/66
D389,403	S		1/1998	Rahr		
D396,633	S	*	8/1998	Guillin	.....	D9/429
D404,682	S	*	1/1999	Baran	.....	D11/152
D432,868	S	*	10/2000	Tan	.....	D7/584

**OTHER PUBLICATIONS**

Ateco Stainless Steel Hexagon Mold, announced Feb. 2012, [online], site visited Jan. 25, 2020. Available from Internet, URL: <http://www.webstaurantstore.com> (Year: 2012).\*

*Primary Examiner* — Janice Patyk

(74) *Attorney, Agent, or Firm* — Armstrong Teasdale LLP

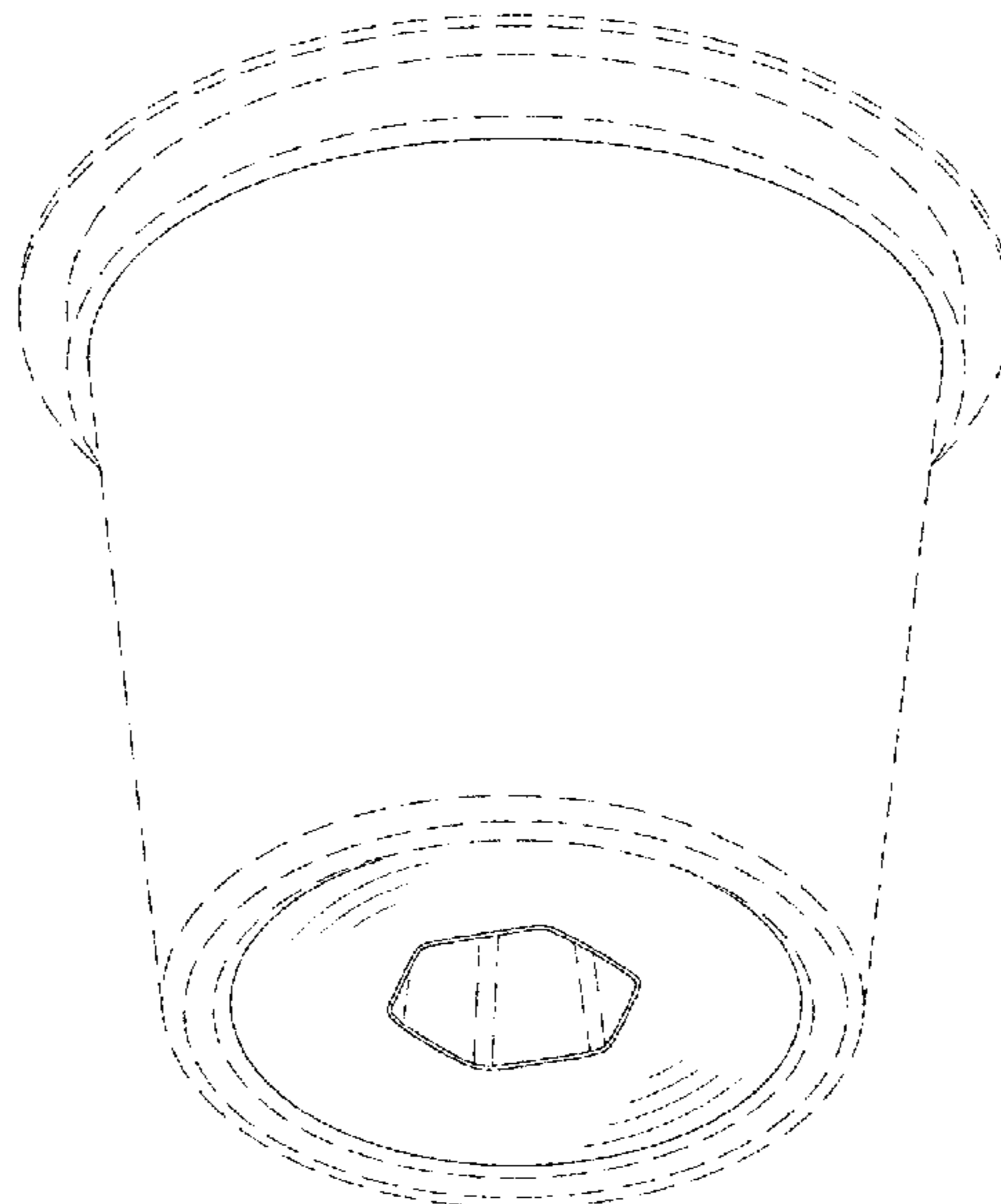
(57) **CLAIM**

The ornamental design for a beverage pod, as shown and described.

**DESCRIPTION**

FIG. 1 is a bottom perspective view of a beverage pod showing our new design;  
FIG. 2 is a side elevation view thereof;  
FIG. 3 is a top perspective view thereof;  
FIG. 4 is a top plan view thereof;  
FIG. 5 is a bottom plan view thereof; and,  
FIG. 6 is a cross-sectional view thereof taken along line 6-6 of FIG. 5.  
The broken lines in the drawings show portions of the beverage pod that form no part of the claimed design.

**1 Claim, 6 Drawing Sheets**



(56)

**References Cited**

U.S. PATENT DOCUMENTS

2013/0251861 A1 9/2013 Scapuccin  
2015/0099042 A1 4/2015 Koenig  
2016/0362246 A1 12/2016 Garcin et al.

\* cited by examiner

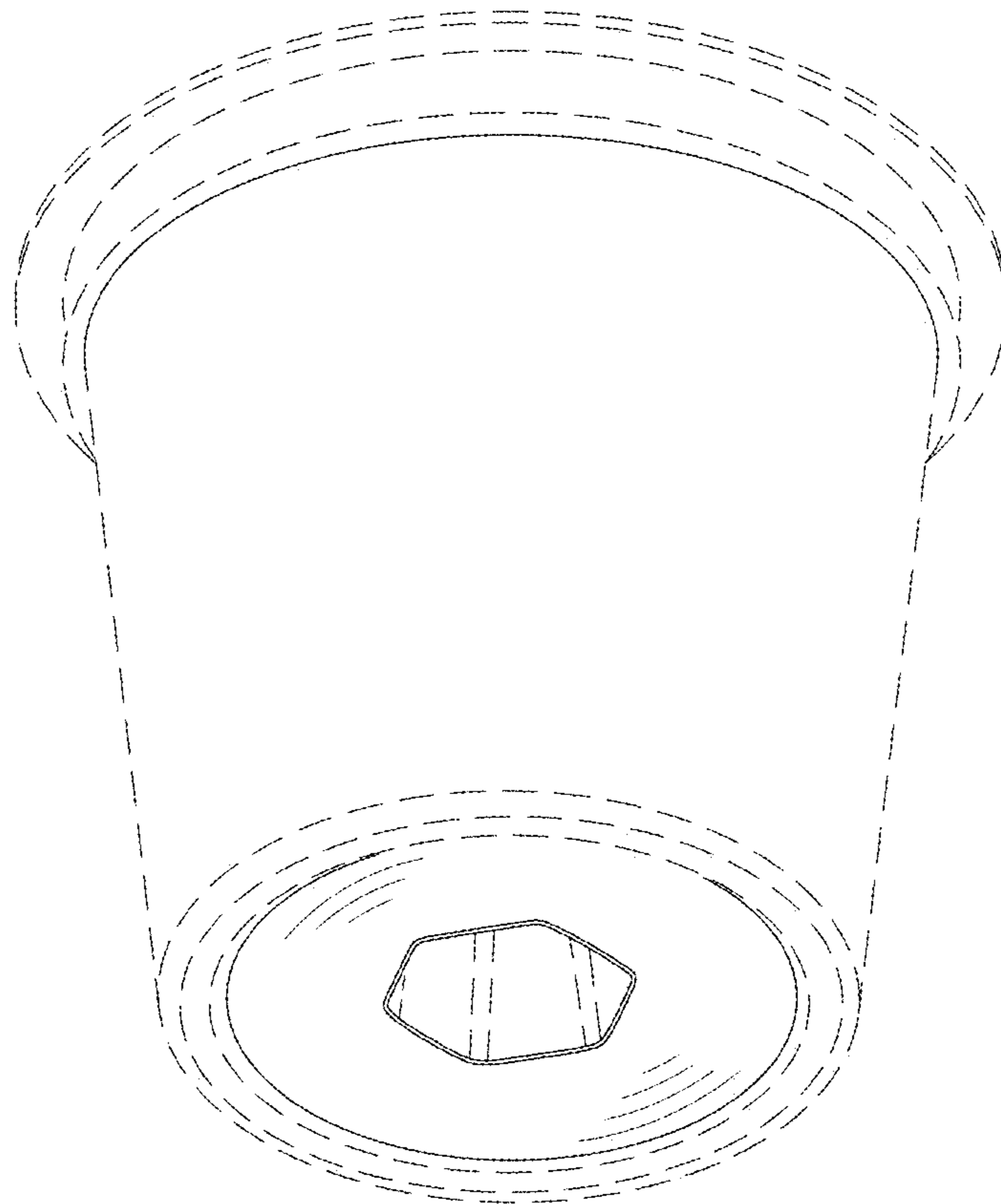


FIG. 1

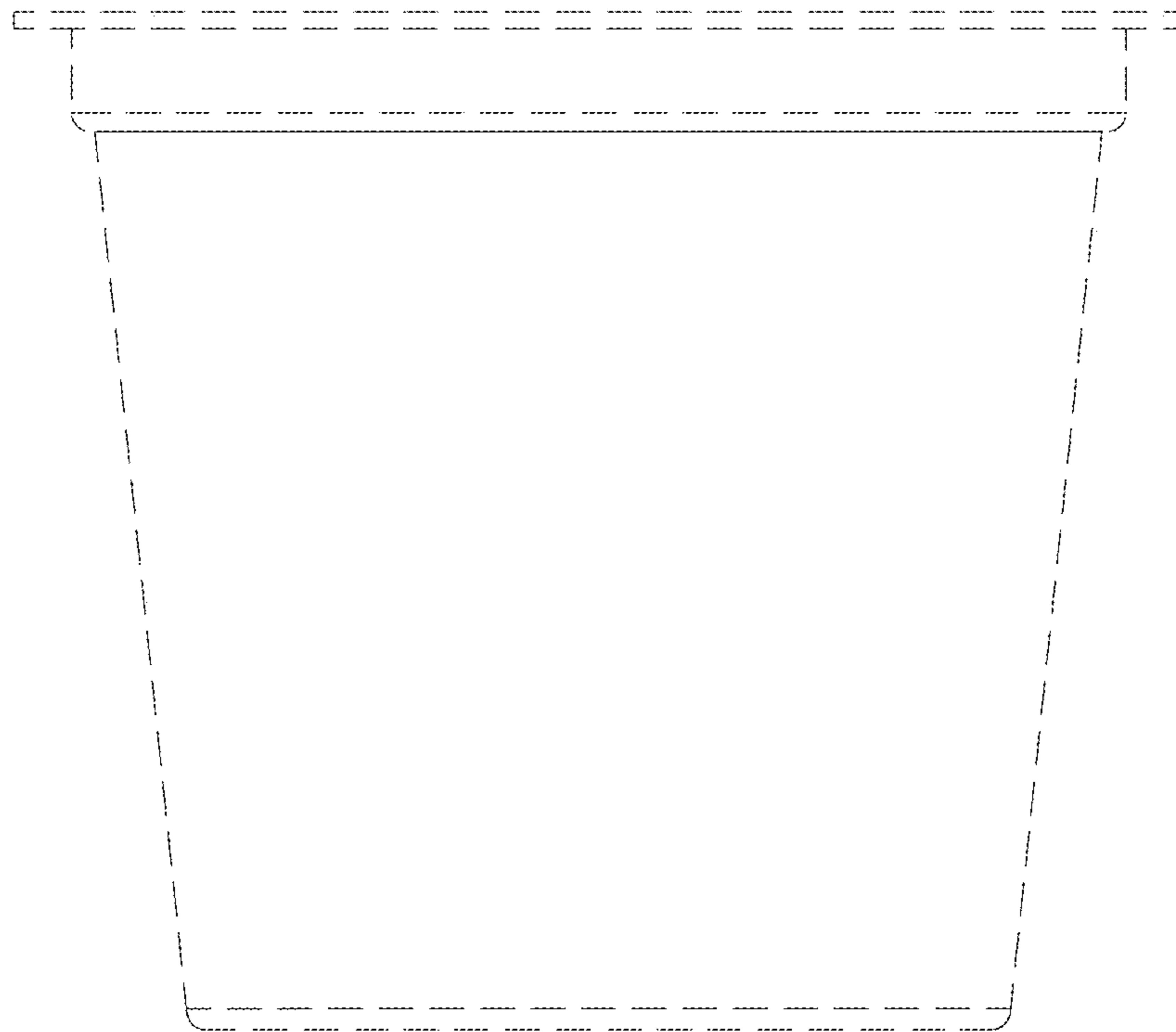


FIG. 2

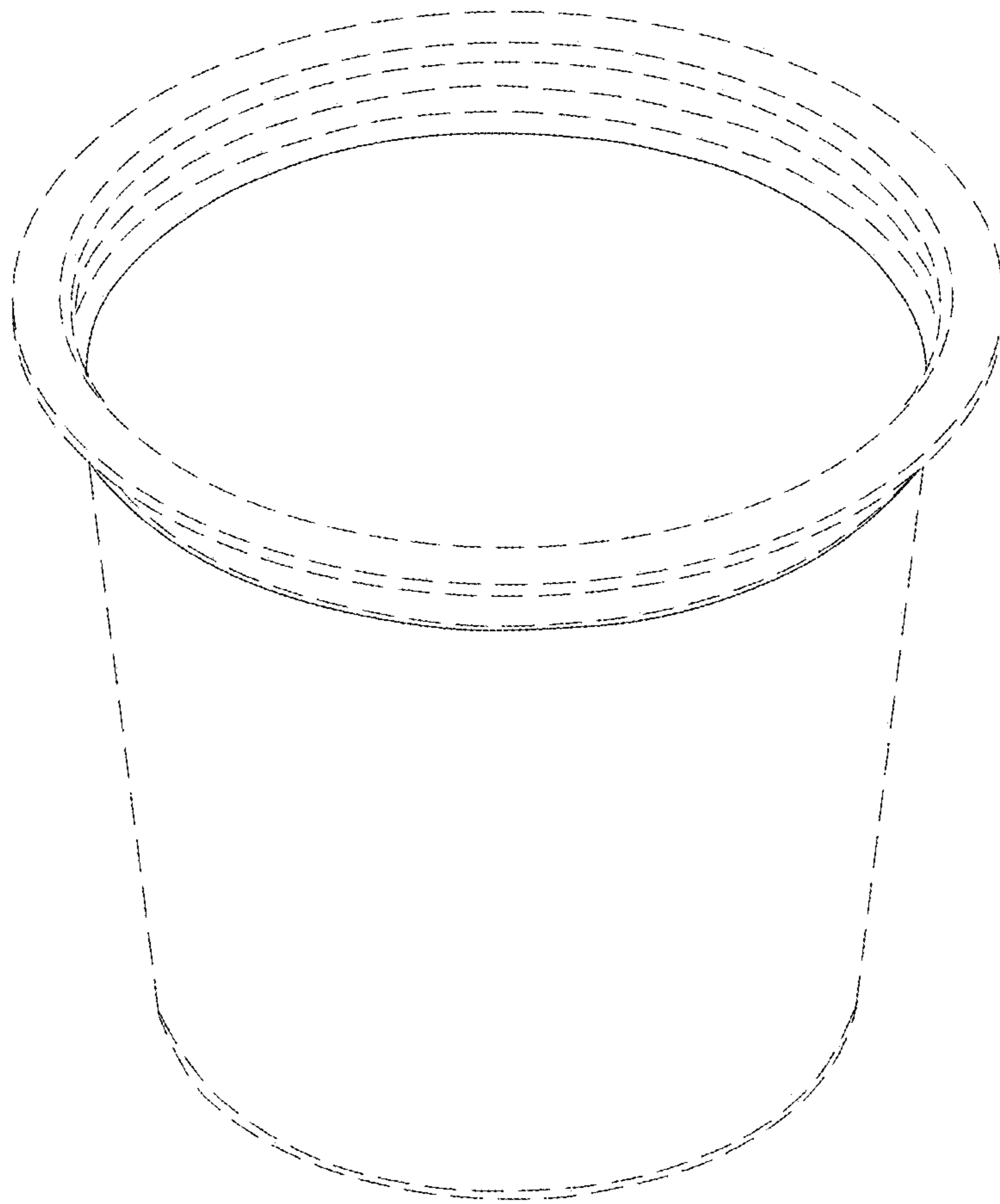


FIG. 3

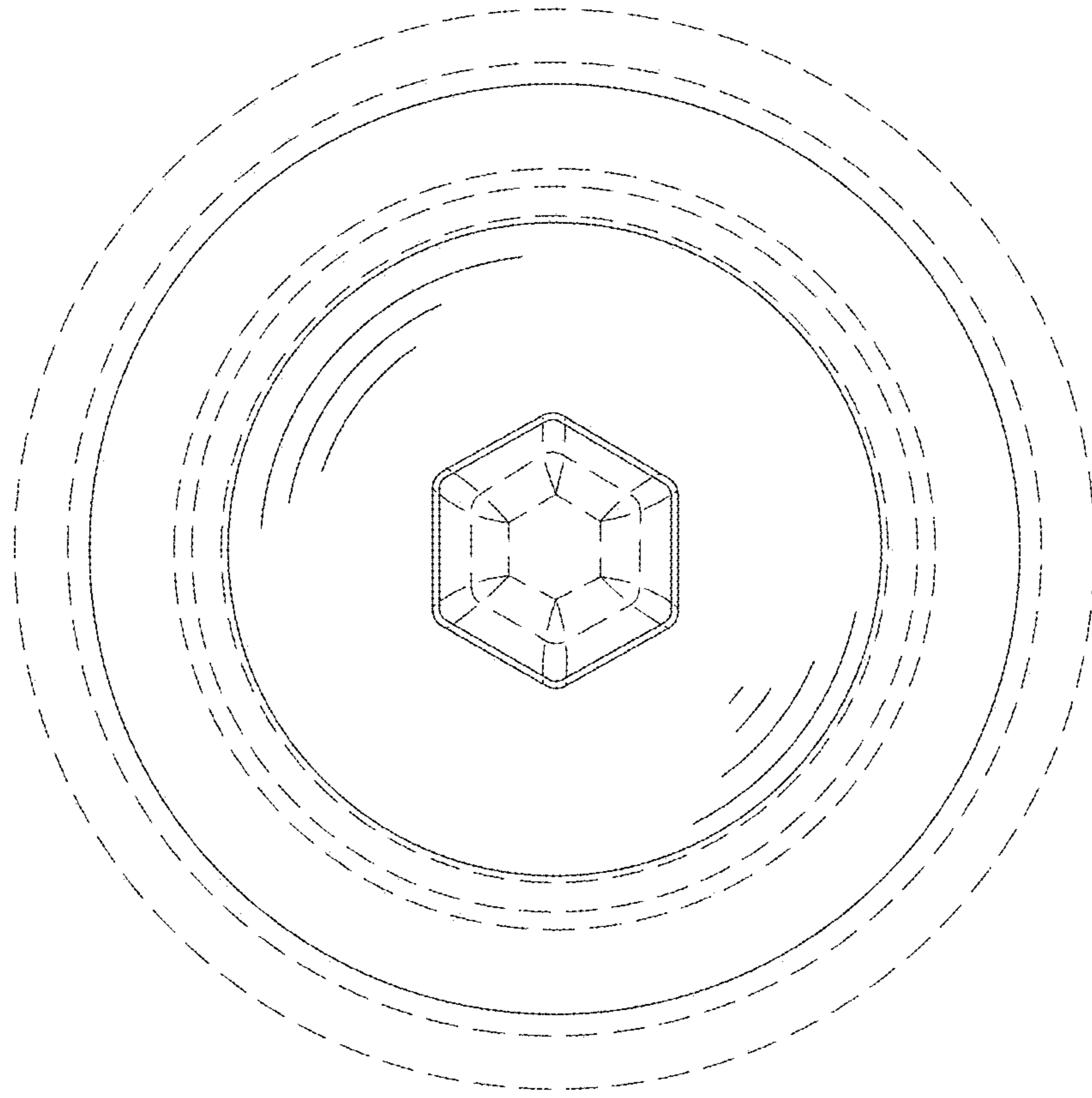


FIG. 4

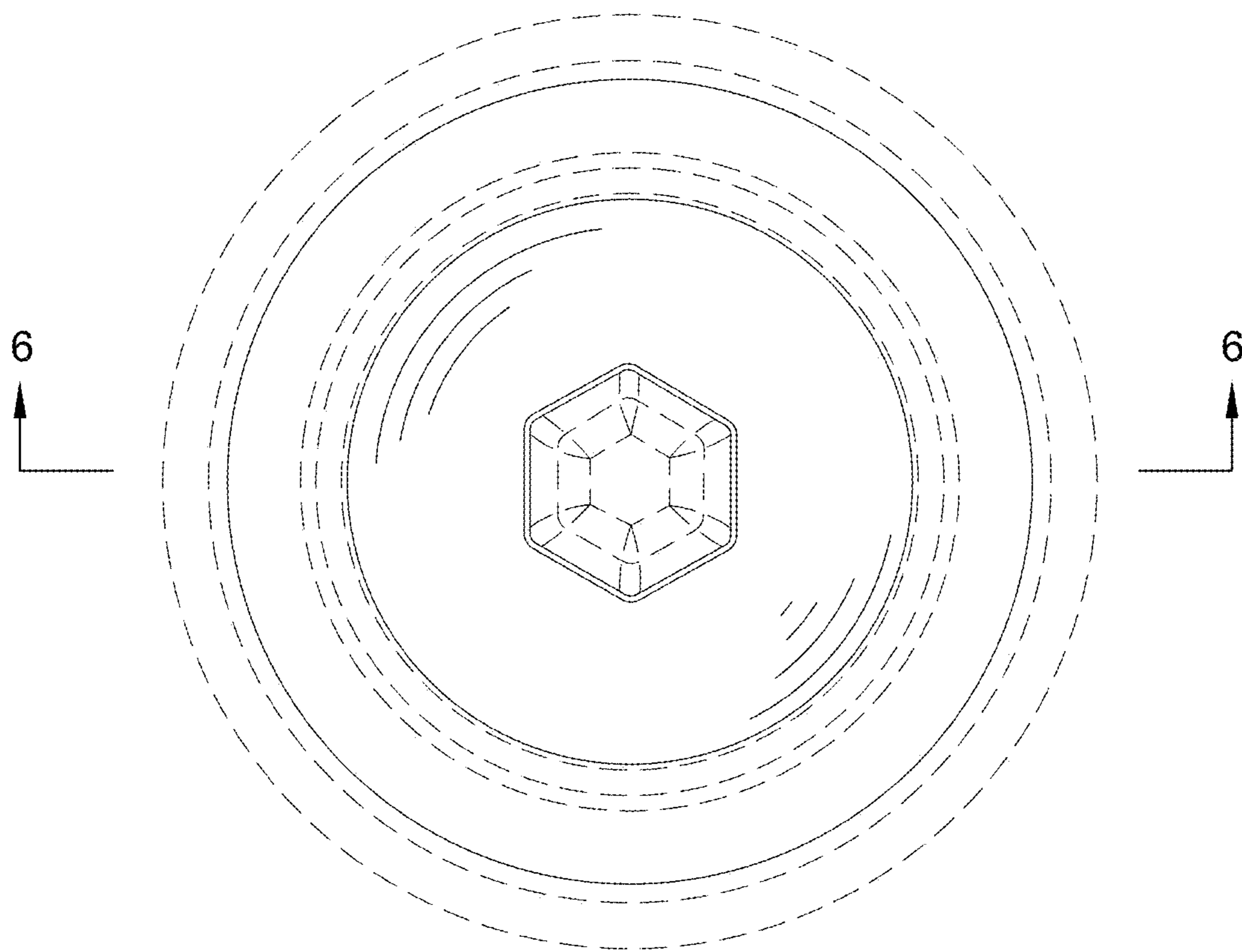


FIG. 5

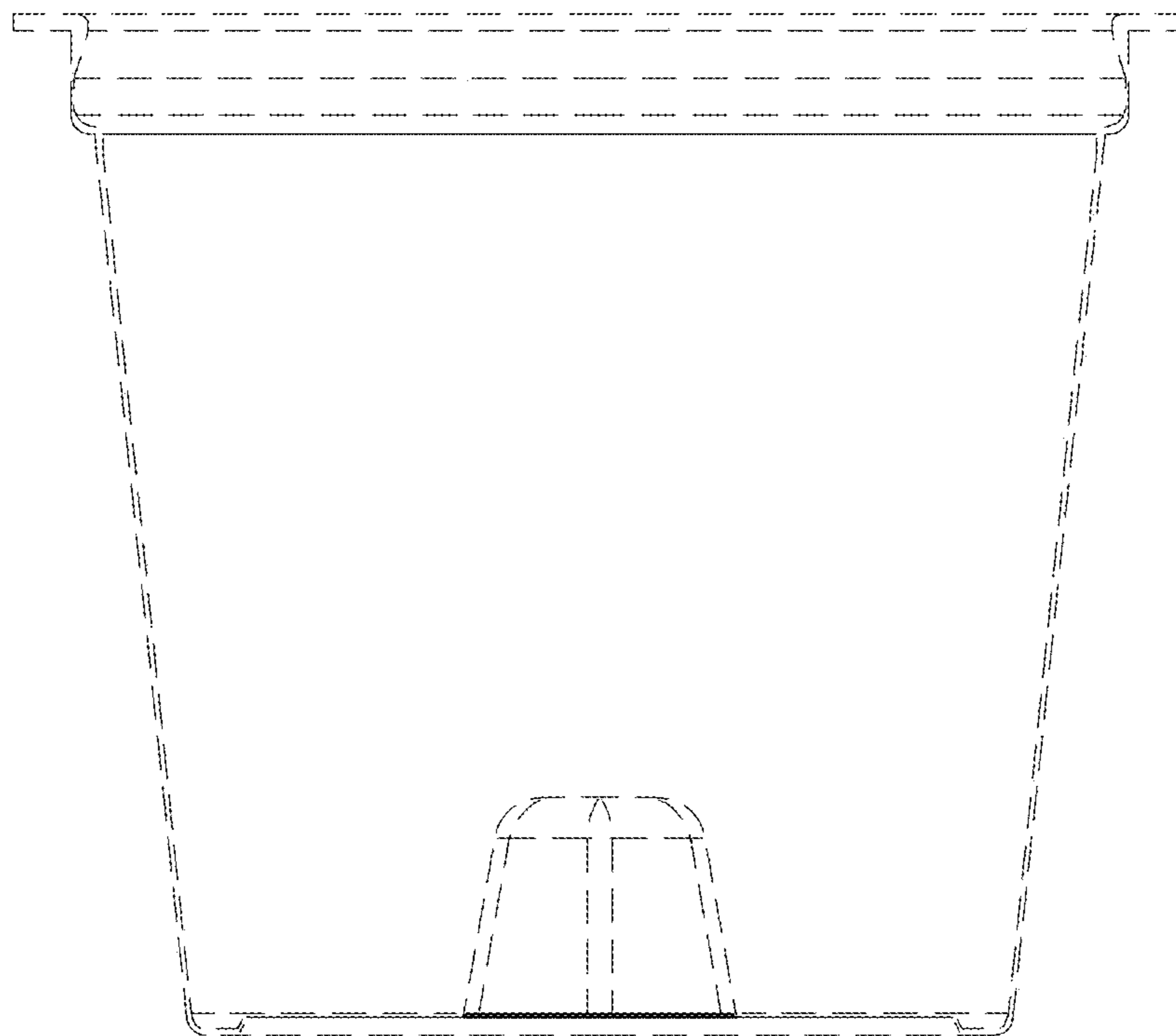


FIG. 6