



US00D896072S

(12) **United States Design Patent**
Cohen

(10) **Patent No.:** **US D896,072 S**

(45) **Date of Patent:** **** Sep. 15, 2020**

(54) **TILTED CARTON**

(71) Applicant: **Katie Sarah Cohen**, Alpharetta, GA
(US)

(72) Inventor: **Katie Sarah Cohen**, Alpharetta, GA
(US)

(**) Term: **15 Years**

(21) Appl. No.: **29/689,061**

(22) Filed: **Apr. 26, 2019**

(51) **LOC (12) Cl.** **09-03**

(52) **U.S. Cl.**
USPC **D9/431**

(58) **Field of Classification Search**
USPC D9/414-423, 430-433, 434, 456, 457,
D9/711, 713, 721-722, 737, 756, 758,
D9/759, 760; D20/10, 22, 27, 40, 42
CPC ... B65D 5/00; B65D 5/02; B65D 5/18; B65D
5/20

See application file for complete search history.

(56) **References Cited**

U.S. PATENT DOCUMENTS

| | | | | | |
|-----------|------|---------|-----------|-------|--------------|
| 3,924,797 | A * | 12/1975 | Furbeck | | B65D 5/46088 |
| | | | | | 229/117.13 |
| D333,781 | S * | 3/1993 | Kobel | | D30/124 |
| 5,950,831 | A * | 9/1999 | Millet | | B65D 5/2038 |
| | | | | | 206/446 |
| D437,218 | S * | 2/2001 | Ljunstrom | | D9/417 |
| 6,182,887 | B1 * | 2/2001 | Ljunstrom | | B65D 5/067 |
| | | | | | 206/806 |
| D507,484 | S * | 7/2005 | Kumakura | | D9/418 |
| 7,934,637 | B2 * | 5/2011 | Kaneko | | B65D 5/064 |
| | | | | | 222/81 |

| | | | | | |
|--------------|------|---------|--------------|-------|-------------|
| D685,264 | S * | 7/2013 | Lal | | D9/430 |
| D690,590 | S * | 10/2013 | Fux | | D9/431 |
| 8,950,655 | B2 * | 2/2015 | Okezawa | | B65B 9/2056 |
| | | | | | 229/112 |
| D785,448 | S * | 5/2017 | Wolf | | D9/414 |
| D798,141 | S * | 9/2017 | Miller | | D9/418 |
| D839,725 | S * | 2/2019 | Ralston | | D9/418 |
| D859,146 | S * | 9/2019 | Georgiou | | D9/430 |
| D885,926 | S * | 6/2020 | Ohkura | | D9/560 |
| 2006/0202005 | A1 * | 9/2006 | Andrews, Sr. | | B65D 77/065 |
| | | | | | 229/117.3 |

* cited by examiner

Primary Examiner — Vy N Koenig

(74) *Attorney, Agent, or Firm* — Thomas Horstemeyer, LLP.

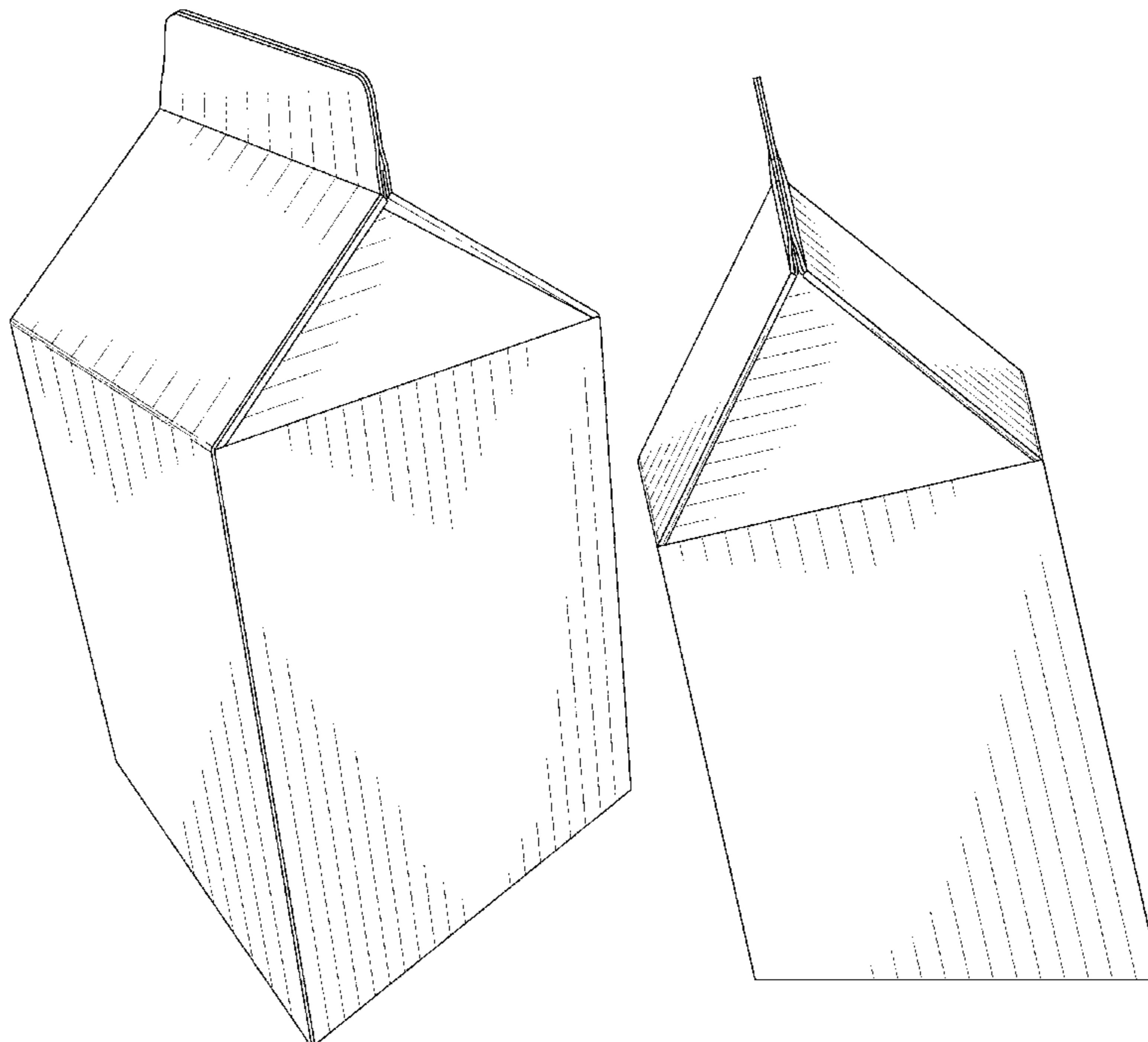
(57) **CLAIM**

The ornamental design for a tilted carton, such that the carton is tilted when resting on a bottom surface of the carton, as shown and described.

DESCRIPTION

FIG. 1 is a perspective view of a carton showing my new design;
FIG. 2 is a right side view of the carton;
FIG. 3 is a left side view of the carton;
FIG. 4 is a front side view of the carton;
FIG. 5 is a back side view of the carton;
FIG. 6 is a top-down view of the carton; and,
FIG. 7 is a bottom-up view of the carton.
The surface shading is provided to illustrate surface contours, or lack thereof, where provided, but is not intended to and forms no part of the claimed design.

1 Claim, 7 Drawing Sheets



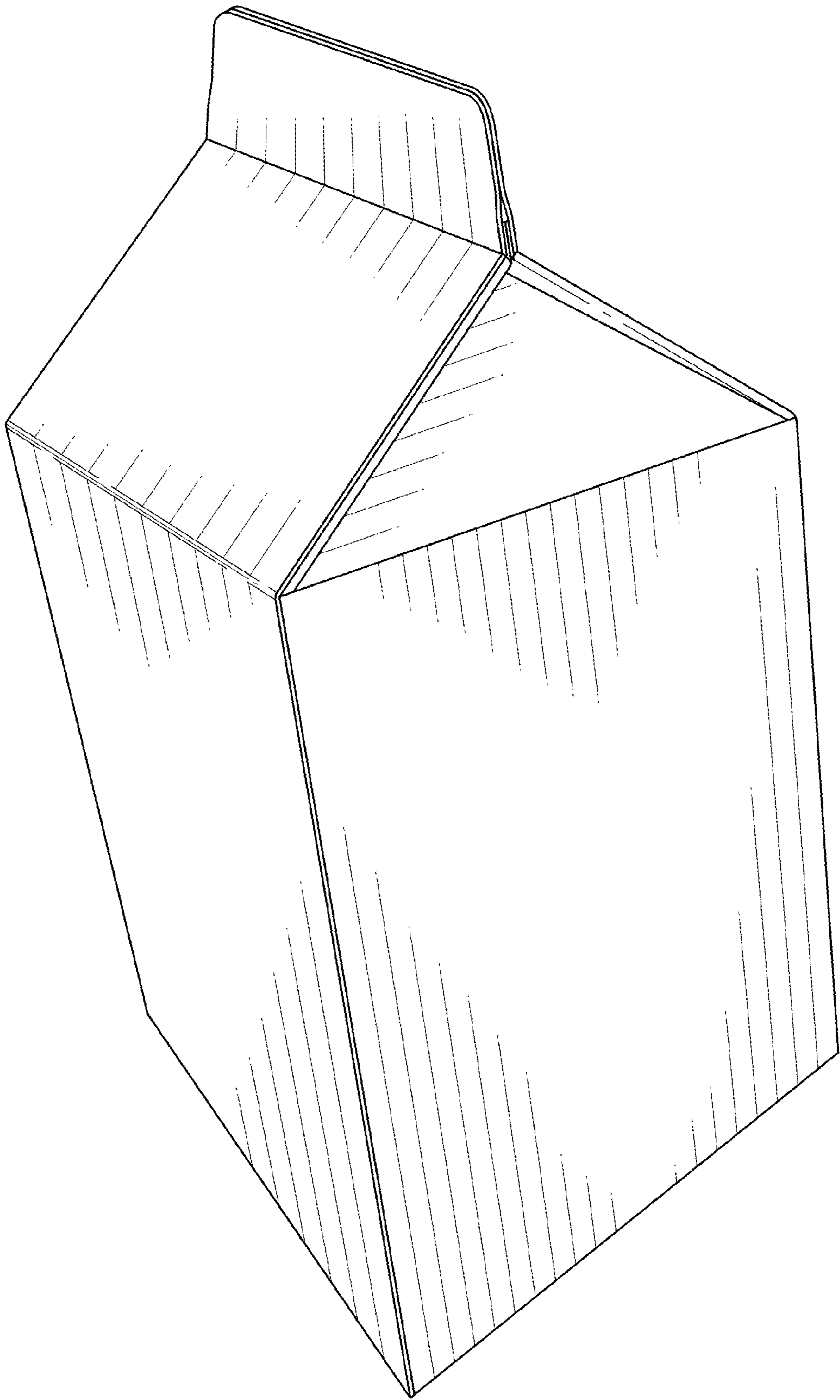


FIG. 1

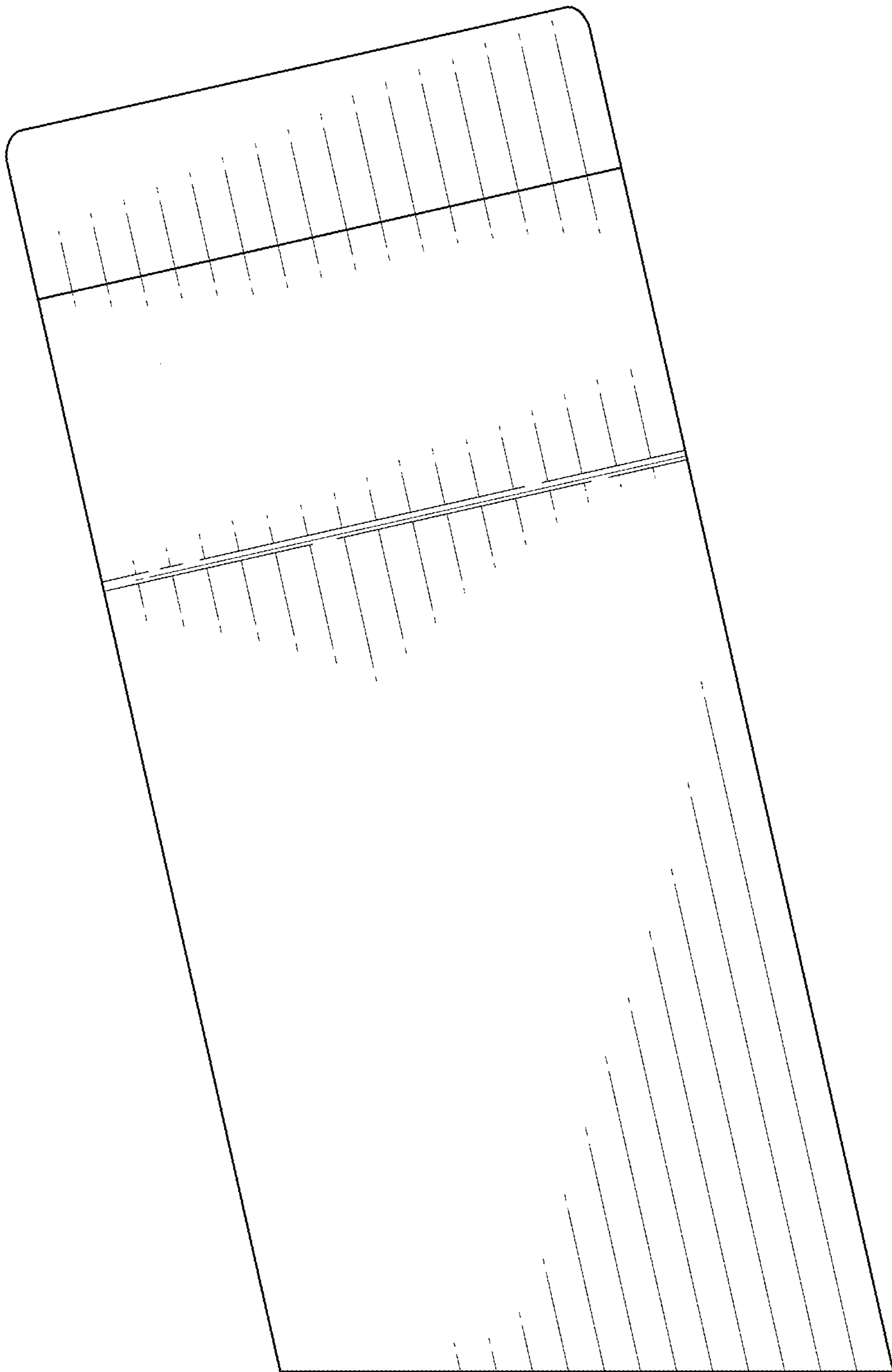


FIG. 2

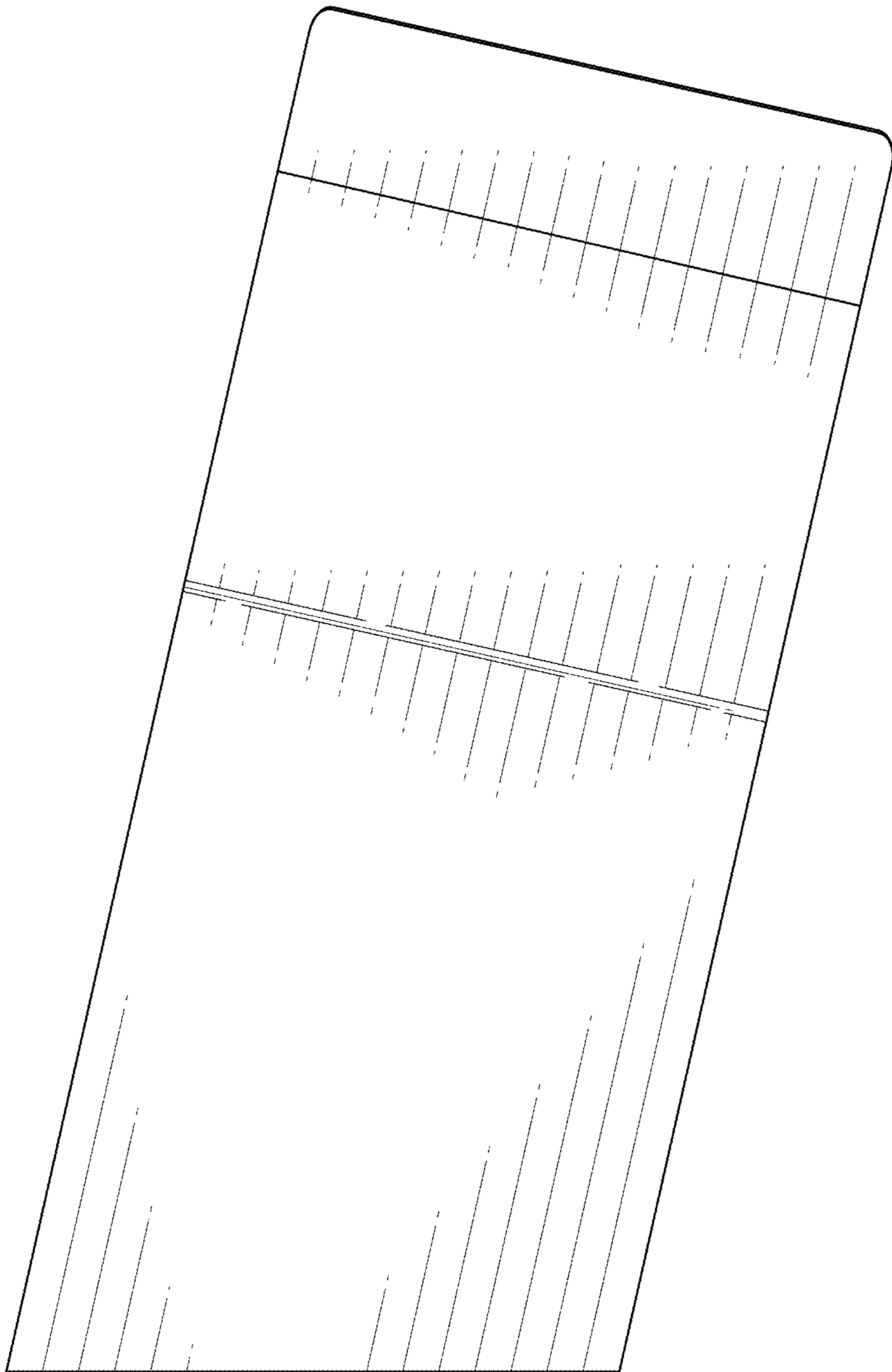


FIG. 3

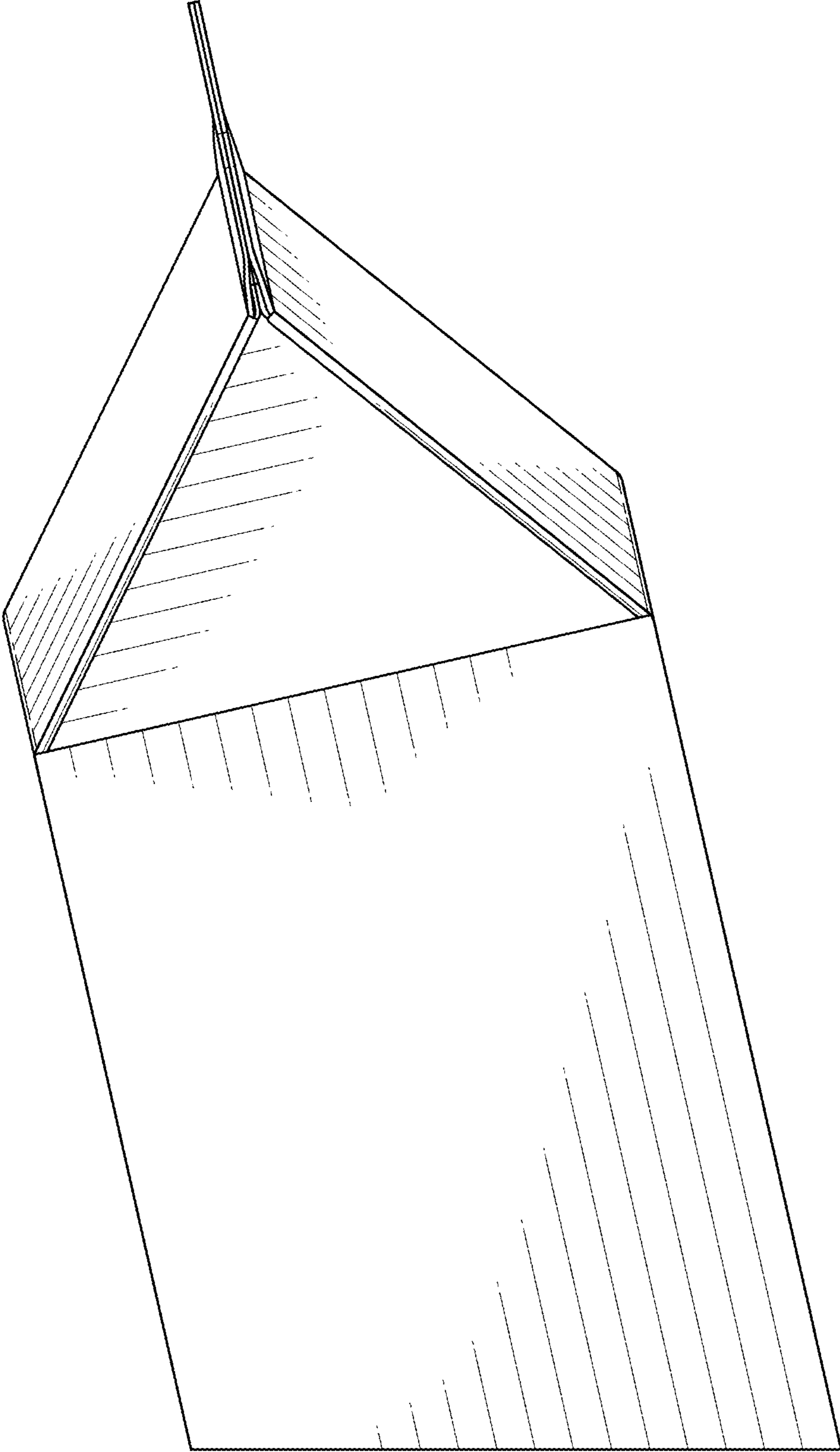


FIG. 4

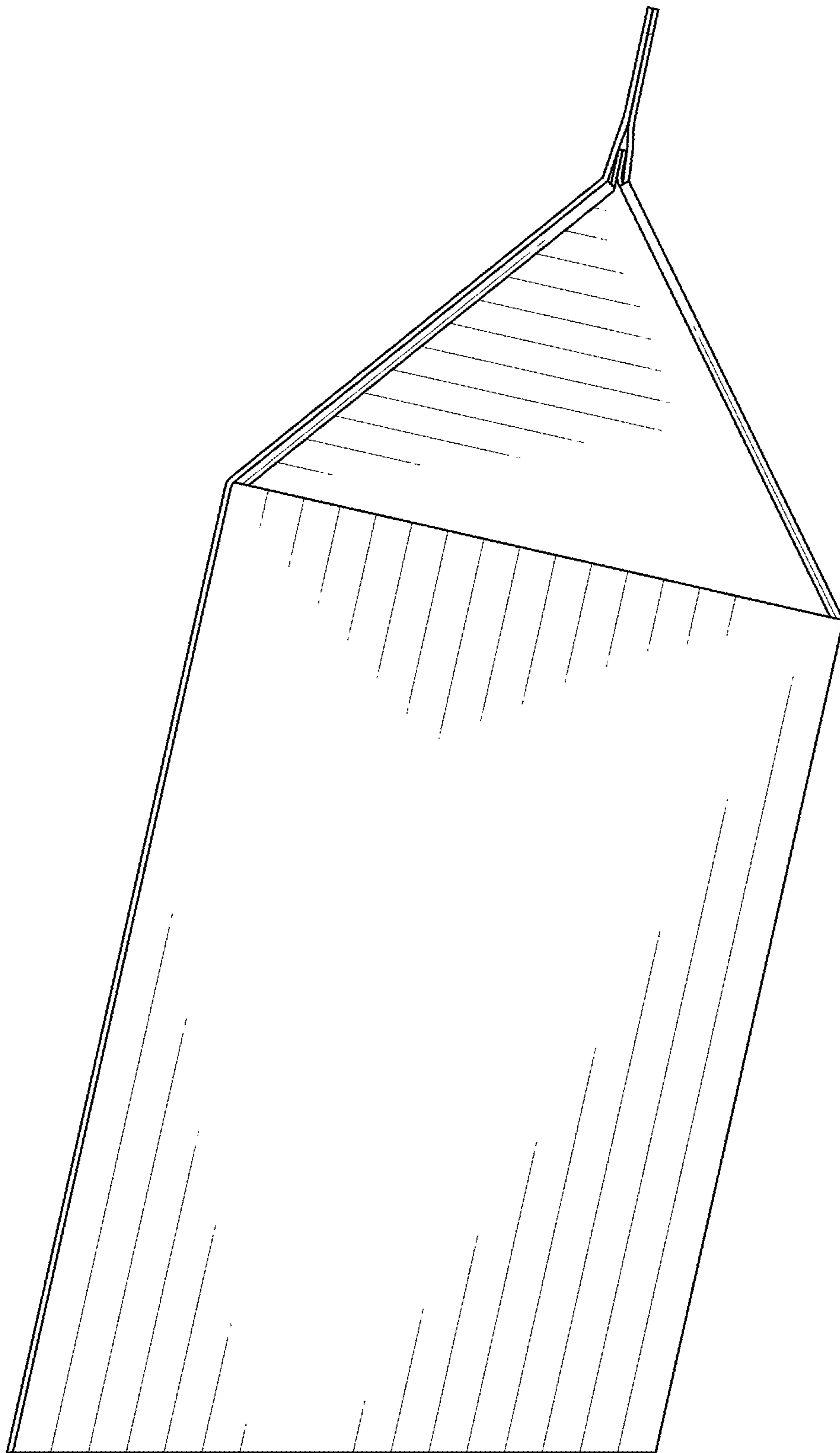


FIG. 5

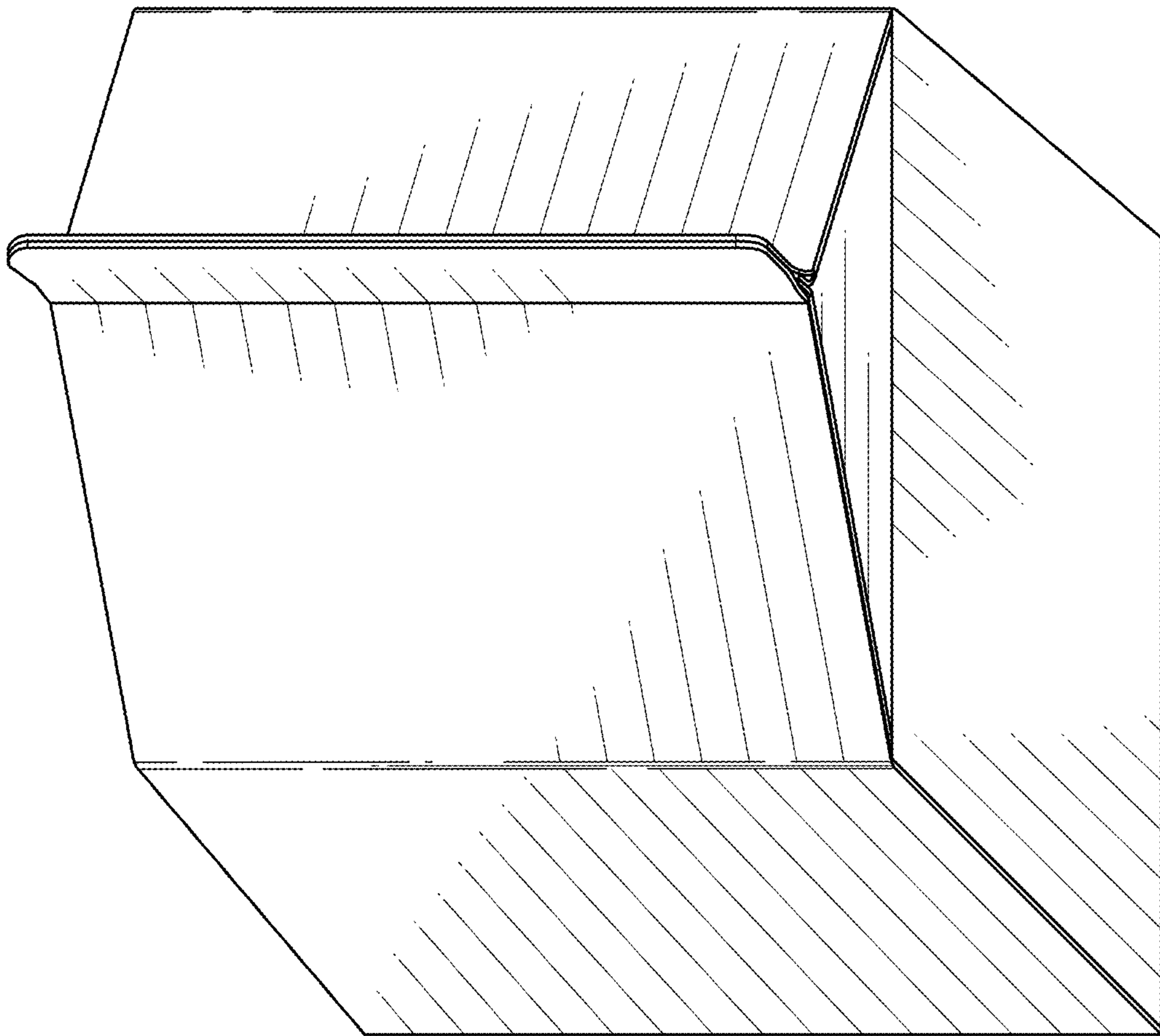


FIG. 6

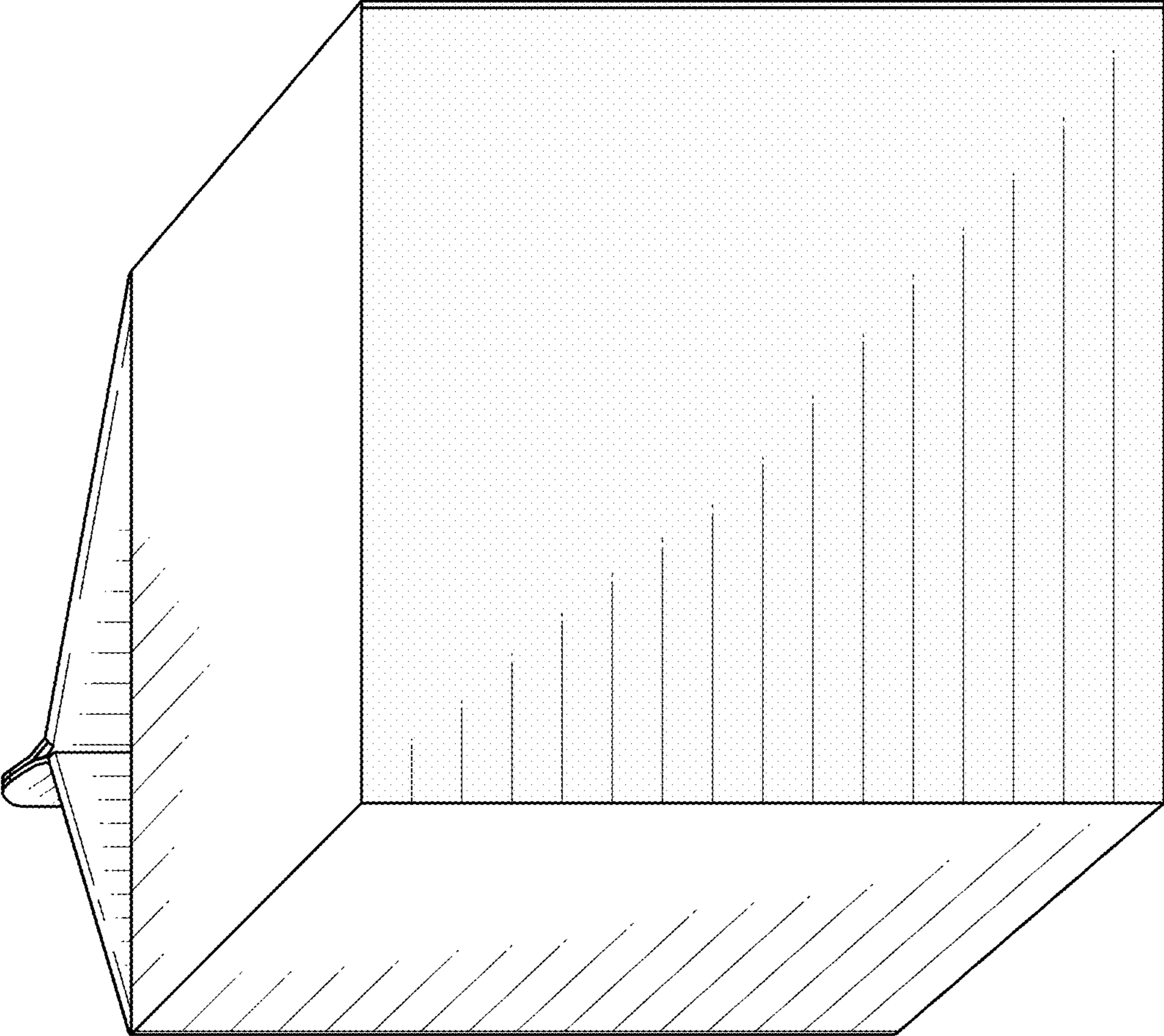


FIG. 7