



US00D896071S

(12) **United States Design Patent**
Thayer

(10) **Patent No.:** **US D896,071 S**

(45) **Date of Patent:** **** Sep. 15, 2020**

- (54) **DECORATIVE CONTAINER**
- (71) Applicant: **Scott E. Thayer**, Reading, MA (US)
- (72) Inventor: **Scott E. Thayer**, Reading, MA (US)
- (73) Assignee: **Voyager Product Design LLC**,
Reading, MA (US)
- (**) Term: **15 Years**

D455,100	S	*	4/2002	Burnette	D11/145
D605,811	S	*	12/2009	Salatto-Rose	D26/94
8,272,160	B1	*	9/2012	Hamann	A01G 17/04 47/45
D686,921	S	*	7/2013	Odobescu	D9/680
D748,433	S	*	2/2016	Kushner	D7/515
D793,900	S	*	8/2017	de los Rios-Urban	D11/118
9,924,641	B2	*	3/2018	Wielgosch	A01G 9/12
D829,454	S	*	10/2018	Wehner	D6/345
2012/0112012	A1	*	5/2012	Jackson	A47G 7/02 248/27.8

- (21) Appl. No.: **29/687,647**
- (22) Filed: **Apr. 15, 2019**
- (51) **LOC (12) Cl.** **09-03**
- (52) **U.S. Cl.**
USPC **D9/431; D9/674; D11/131; D11/153**
- (58) **Field of Classification Search**
USPC **D9/762, 737, 430, 431, 499, 600, 633,
D9/636, 638, 641, 674, 414, 500, 501;
D11/131, 141, 143, 152, 153; D26/24,
D26/51, 55, 72, 73, 93-95, 110;
D21/452, 506, 820; 248/27.8, 176.1**
CPC **A01G 9/12; A01G 17/04; A01G 9/124;
A47G 7/02; A47G 7/047**
See application file for complete search history.

OTHER PUBLICATIONS

Rocket Ship, Scott Carpenter Playground—Boulder, CO, available Aug. 1, 2011, [online], [site visited Jun. 5, 2020]. Available from internet, URL: https://www.waymarking.com/waymarks/wmC6K7_Scott_Carpenter_Playground_Boulder_CO (Year: 2011).*

(Continued)

Primary Examiner — W. A. Teddy Falloway
(74) *Attorney, Agent, or Firm* — John E. Handy; IP Advanced LLC

(57) **CLAIM**

The ornamental design for a decorative container, as shown and described.

(56) **References Cited**

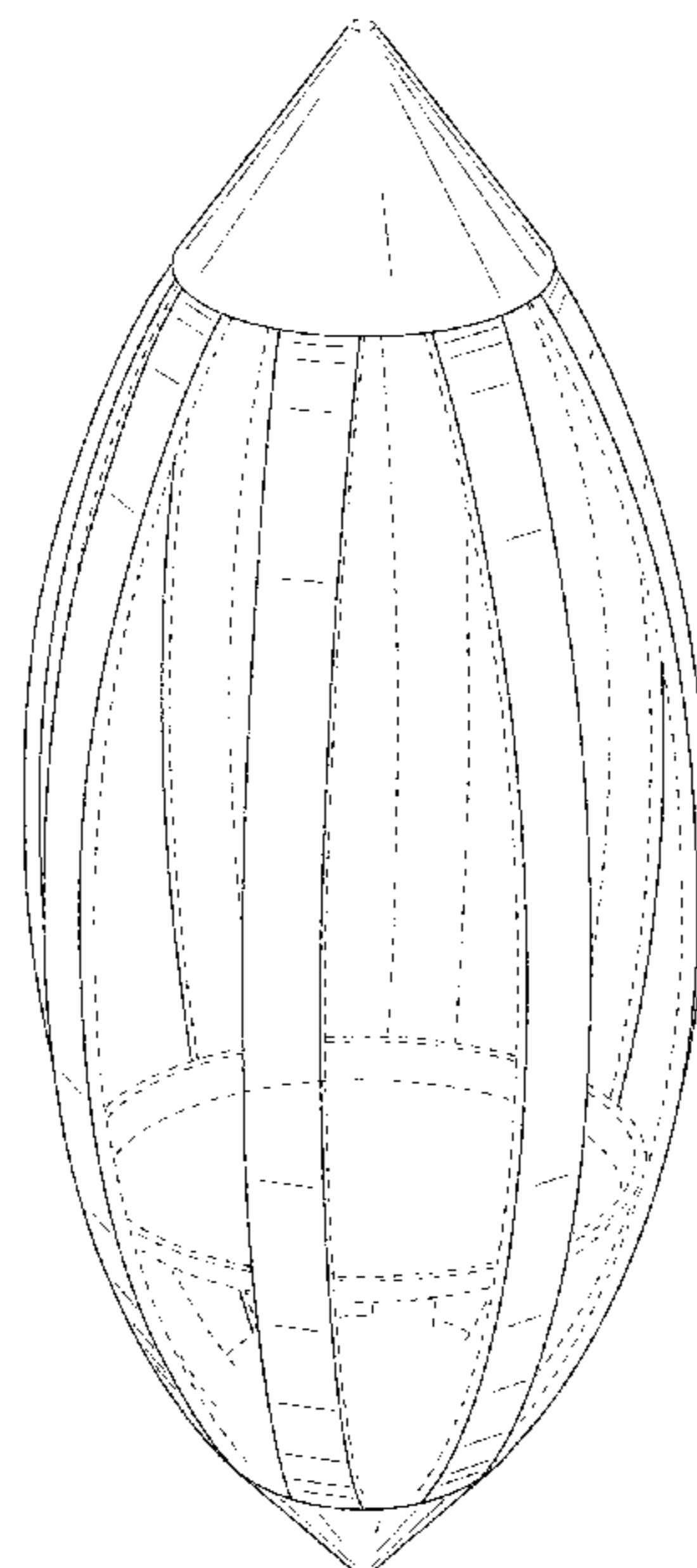
U.S. PATENT DOCUMENTS

941,448	A	*	11/1909	Haglund	A47G 7/047 248/318
1,127,530	A	*	2/1915	Setchell	A01G 9/12 47/47
D249,408	S	*	9/1978	Jackson	D6/347
D251,147	S	*	2/1979	Young	D16/239
D271,593	S	*	11/1983	Stone	D21/472
D272,810	S	*	2/1984	Stilson	D10/116.1
D359,929	S	*	7/1995	Thornhill	47/29.1
D378,287	S	*	3/1997	Alligood	D11/143
D452,036	S	*	12/2001	Johnson	D26/110

DESCRIPTION

FIG. 1 is a perspective view of the decorative container of the subject disclosure;
FIG. 2 is a front plan view thereof, and the rear plan, right plan, and left plan views are all identical to the front plan view;
FIG. 3 is a top plan view thereof; and,
FIG. 4 is a bottom plan view thereof.
The broken lines shown illustrate portions of the decorative container that form no part of the claimed design.

1 Claim, 3 Drawing Sheets



(56)

References Cited

OTHER PUBLICATIONS

Moondance Orb Chandelier via Lightology, available Jun. 5, 2020, [online], [site visited Jun. 5, 2020]. Available from internet, URL: https://www.lightology.com/index.php?module=prod_detail&prod_id=565806 (Year: 2020).*

* cited by examiner

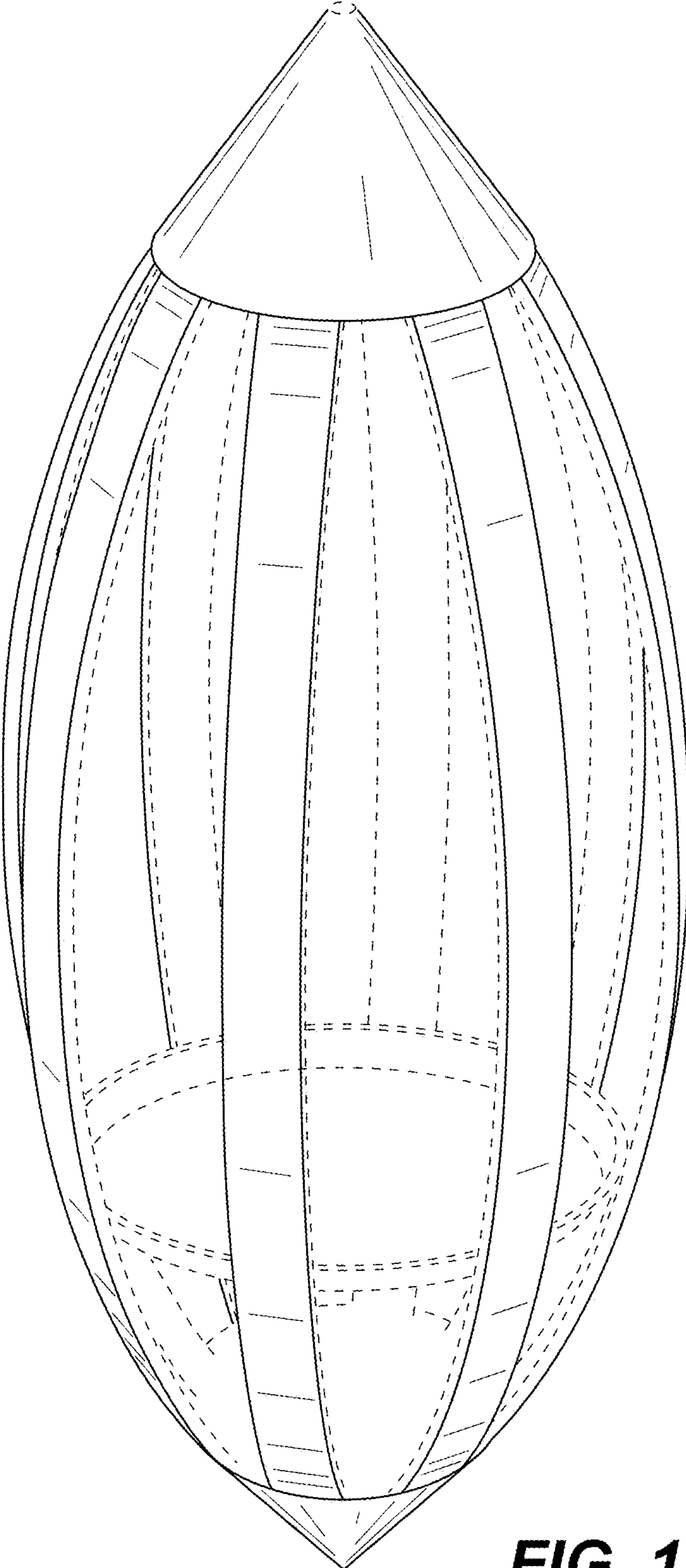


FIG. 1

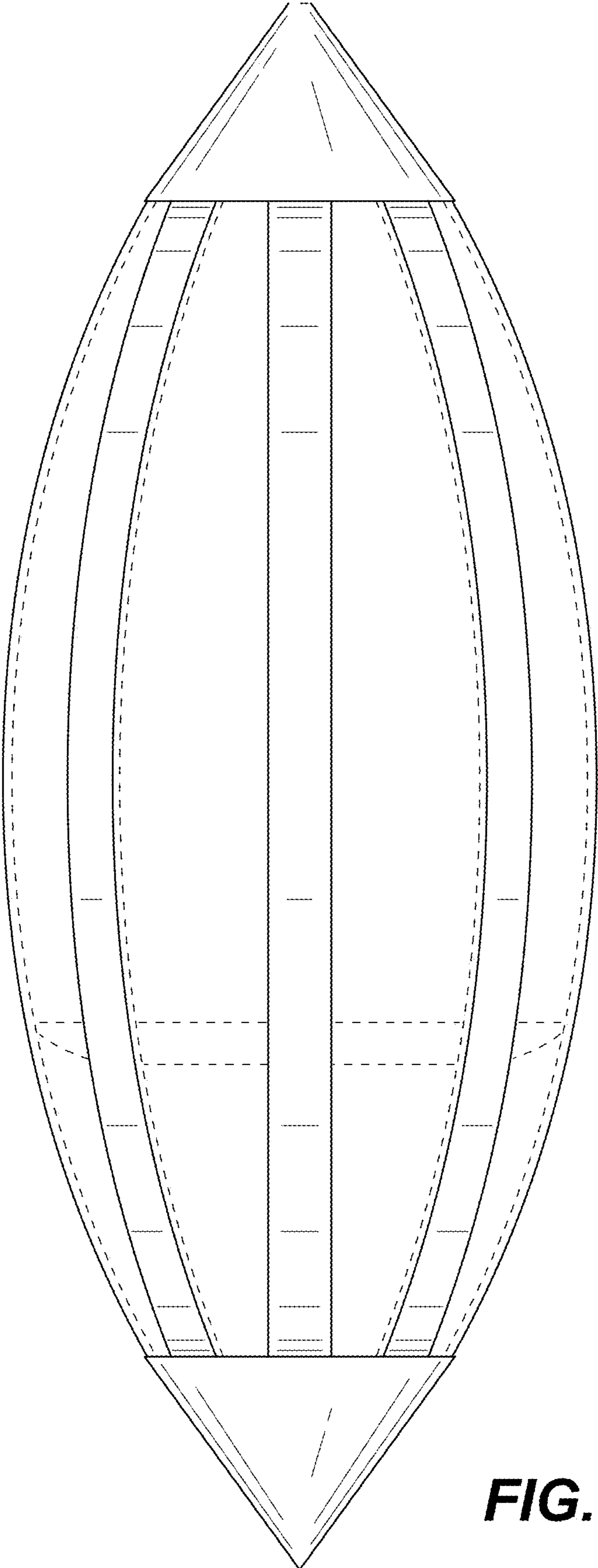


FIG. 2

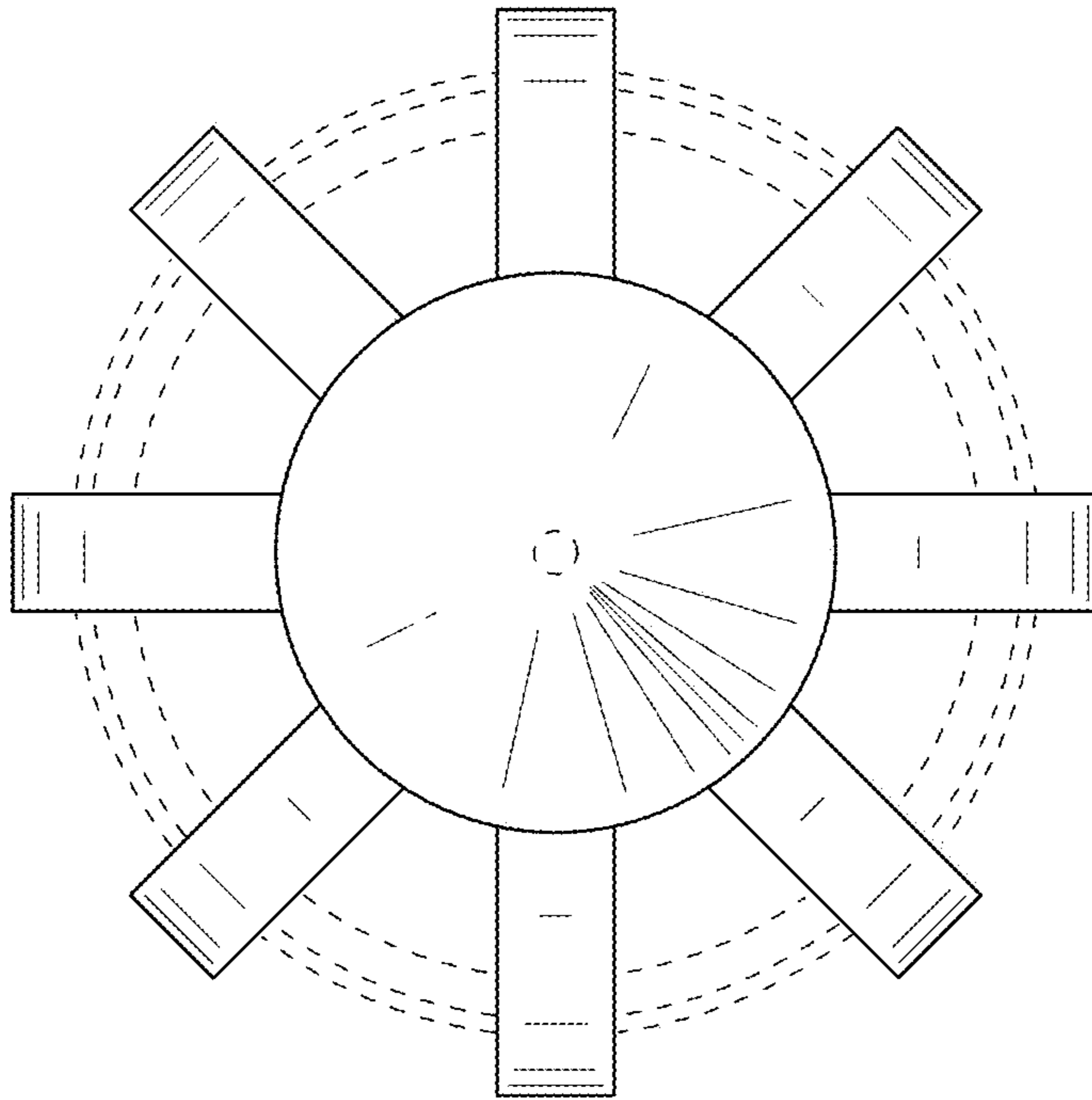


FIG. 3

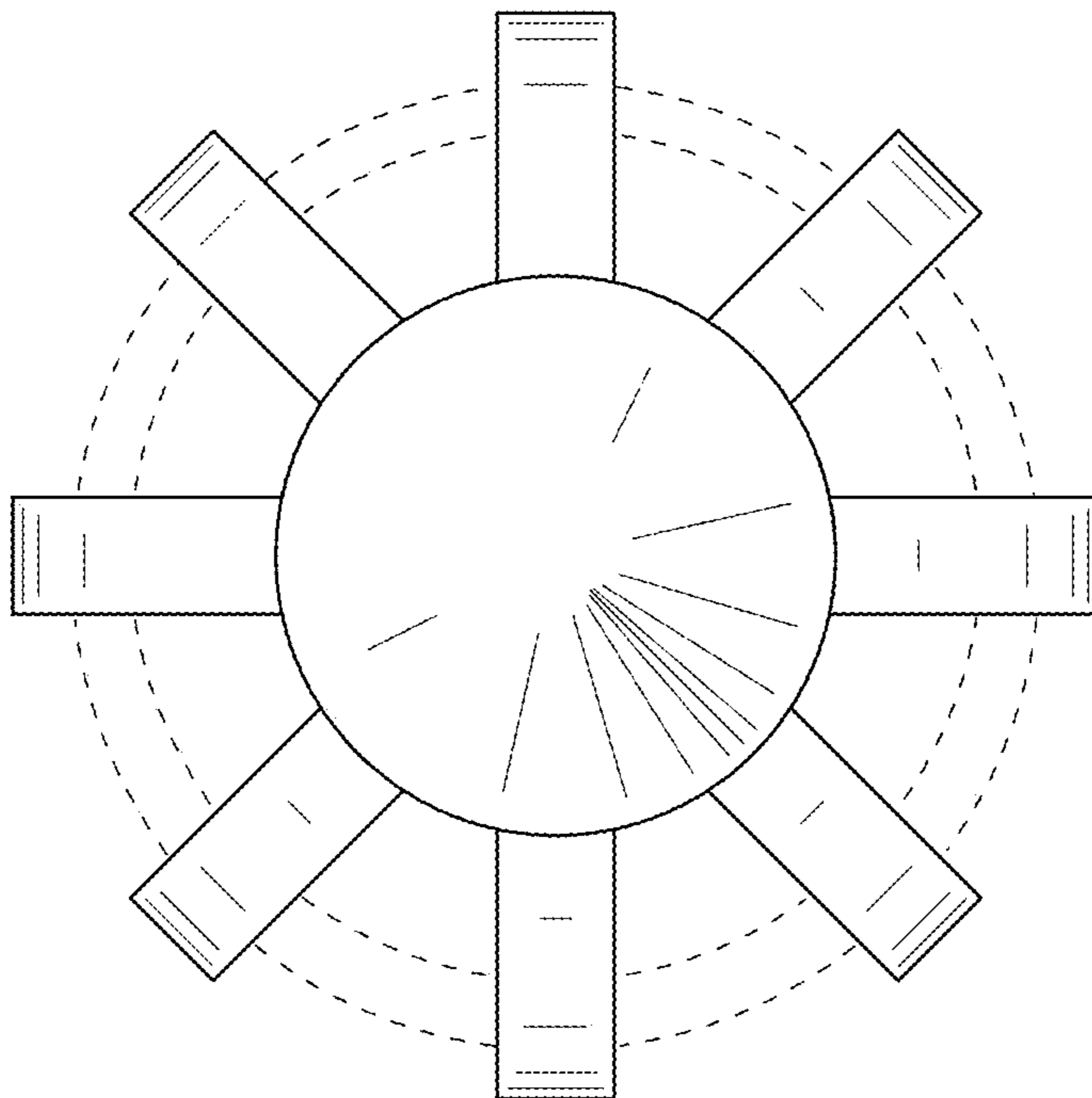


FIG. 4