

US00D896070S

(12) **United States Design Patent** (10) **Patent No.:** **US D896,070 S**
Guill et al. (45) **Date of Patent:** **** Sep. 15, 2020**

(54) **TRAY WITH LID**
(71) Applicant: **Pure Packaging LLC**, Penfield, NY (US)
(72) Inventors: **Daniel Guill**, Baltimore, MD (US);
Brian Muench, Rochester, NY (US);
Erik Rofe, Delray Beach, FL (US)
(73) Assignee: **Pure Packaging LLC**, Penfield, NY (US)

D557,601 S * 12/2007 Minidis D9/425
D592,049 S * 5/2009 Doliwa D7/629
D606,726 S * 12/2009 Minidis D1/102
D628,475 S * 12/2010 Snedden D9/426
D717,161 S * 11/2014 Liu D9/426
D739,226 S * 9/2015 Hagl D9/416
D743,740 S * 11/2015 Madsen D7/502
D743,783 S * 11/2015 Ambelang D9/425
D744,327 S * 12/2015 Snedden D9/418
D747,913 S * 1/2016 Lee D7/354
2008/0160143 A1 * 7/2008 Edwards B65D 1/34
426/129

(**) Term: **15 Years**

(21) Appl. No.: **29/684,902**

(22) Filed: **Mar. 25, 2019**

(51) **LOC (12) Cl.** **09-03**

(52) **U.S. Cl.**
USPC **D9/424**

(58) **Field of Classification Search**
USPC D7/400, 601, 608; D9/416, 417, 420,
D9/425-429, 430, 432, 761; 206/499,
206/501, 502, 821; 220/625, 656, 669,
220/670, 674; 229/123.1, 123.2, 125.33,
229/125.35, 400-407, 915, 939
CPC . B65D 1/26; B65D 1/40; B65D 5/243; B65D
81/3453; B65D 2581/34; B65D
2581/3404; B65D 2581/3456
See application file for complete search history.

(56) **References Cited**

U.S. PATENT DOCUMENTS

D251,657 S * 4/1979 Jewell D9/426
D408,733 S * 4/1999 McCann D9/423

* cited by examiner

Primary Examiner — Janice Patyk
(74) *Attorney, Agent, or Firm* — Phillips Lytle LLP;
David L. Principe

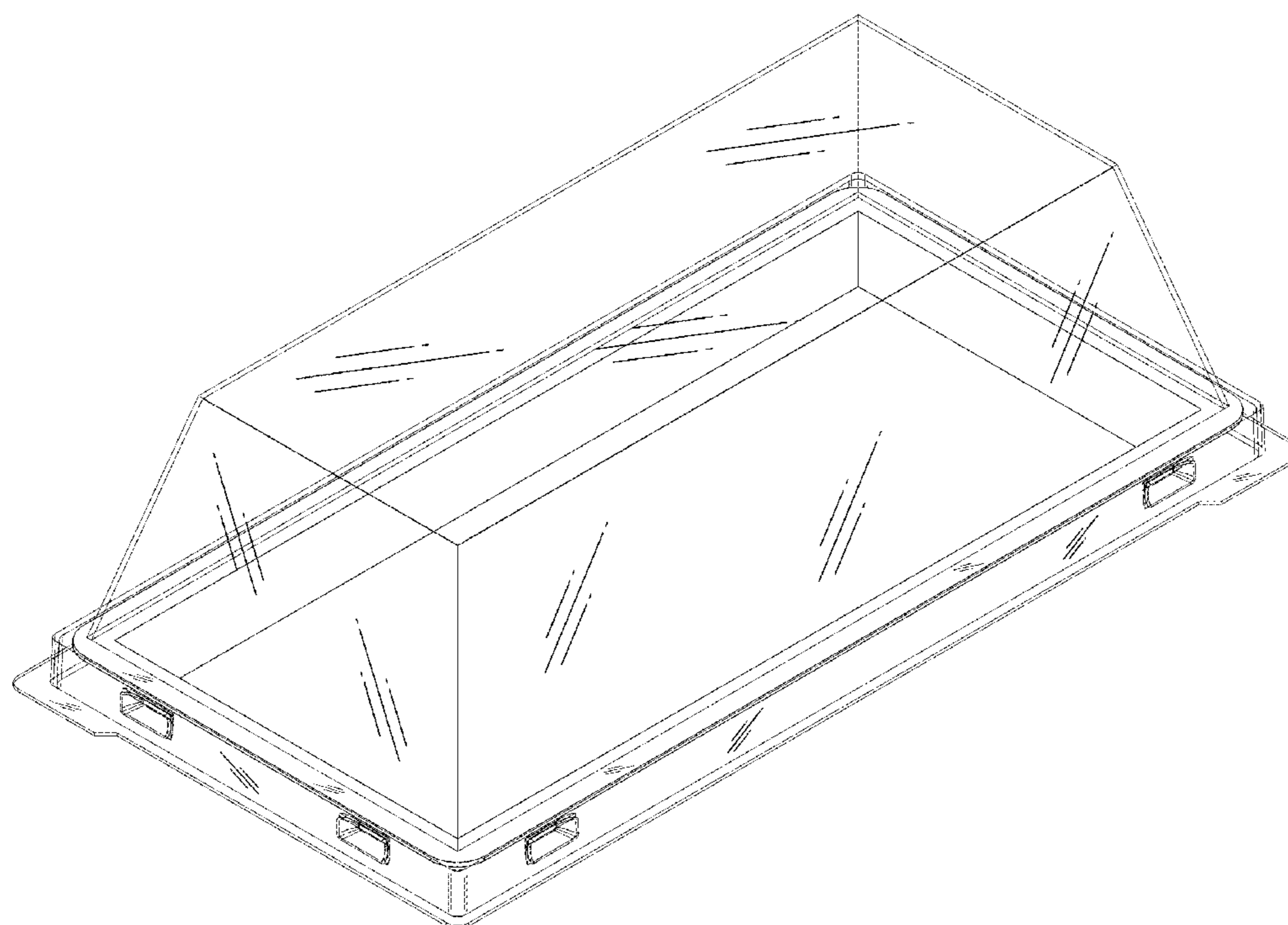
(57) **CLAIM**

The ornamental design for a tray with lid, as shown and described.

DESCRIPTION

FIG. 1 is a top perspective view of a tray with lid, showing our new design;
FIG. 2 is a bottom perspective view thereof;
FIG. 3 is a top plan view thereof;
FIG. 4 is a bottom plan view thereof;
FIG. 5 is a left side elevation view thereof, the right side elevation view being a mirror image thereof; and,
FIG. 6 is a front elevation view thereof, the rear elevation view being a mirror image thereof.

1 Claim, 6 Drawing Sheets



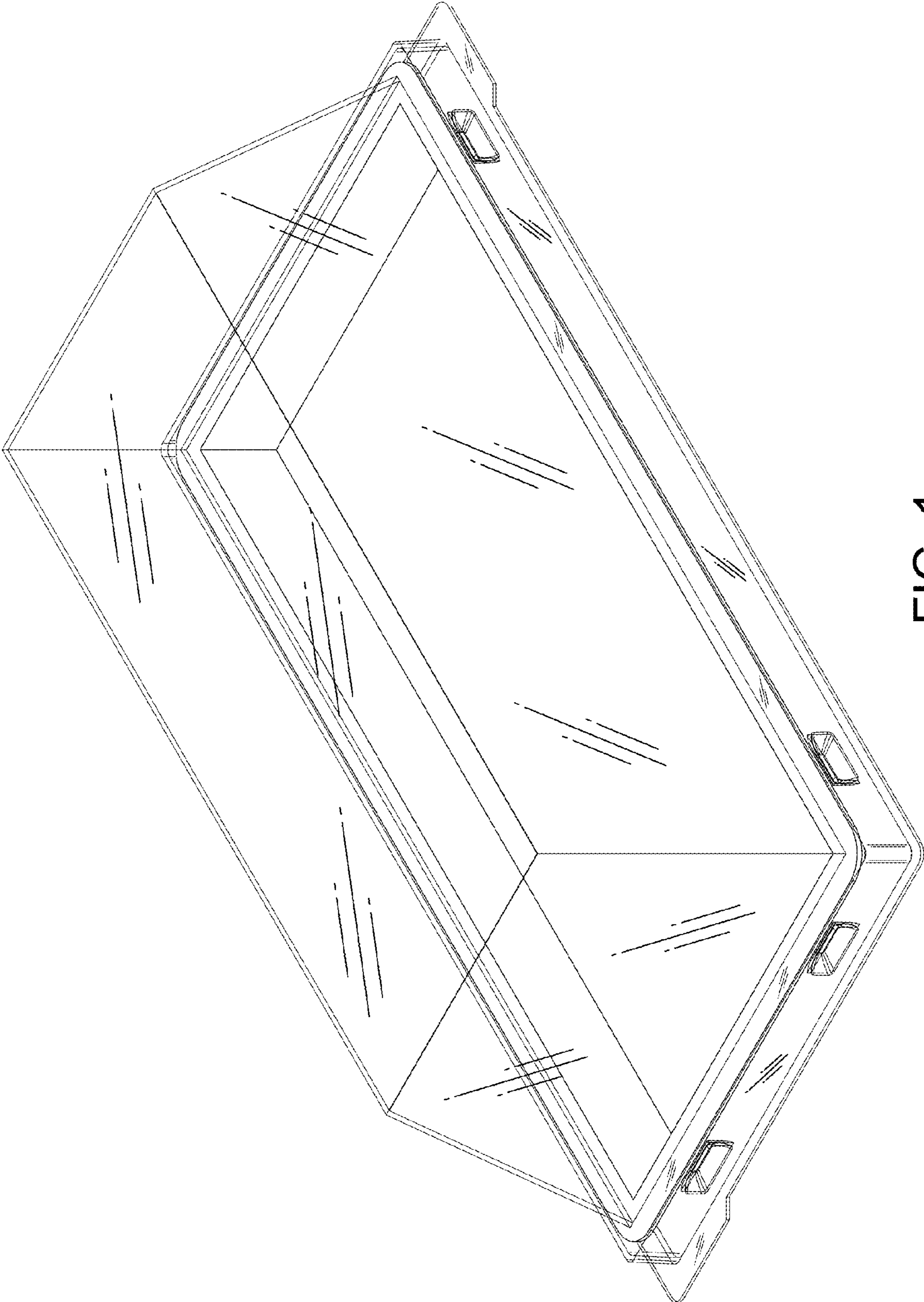


FIG. 1

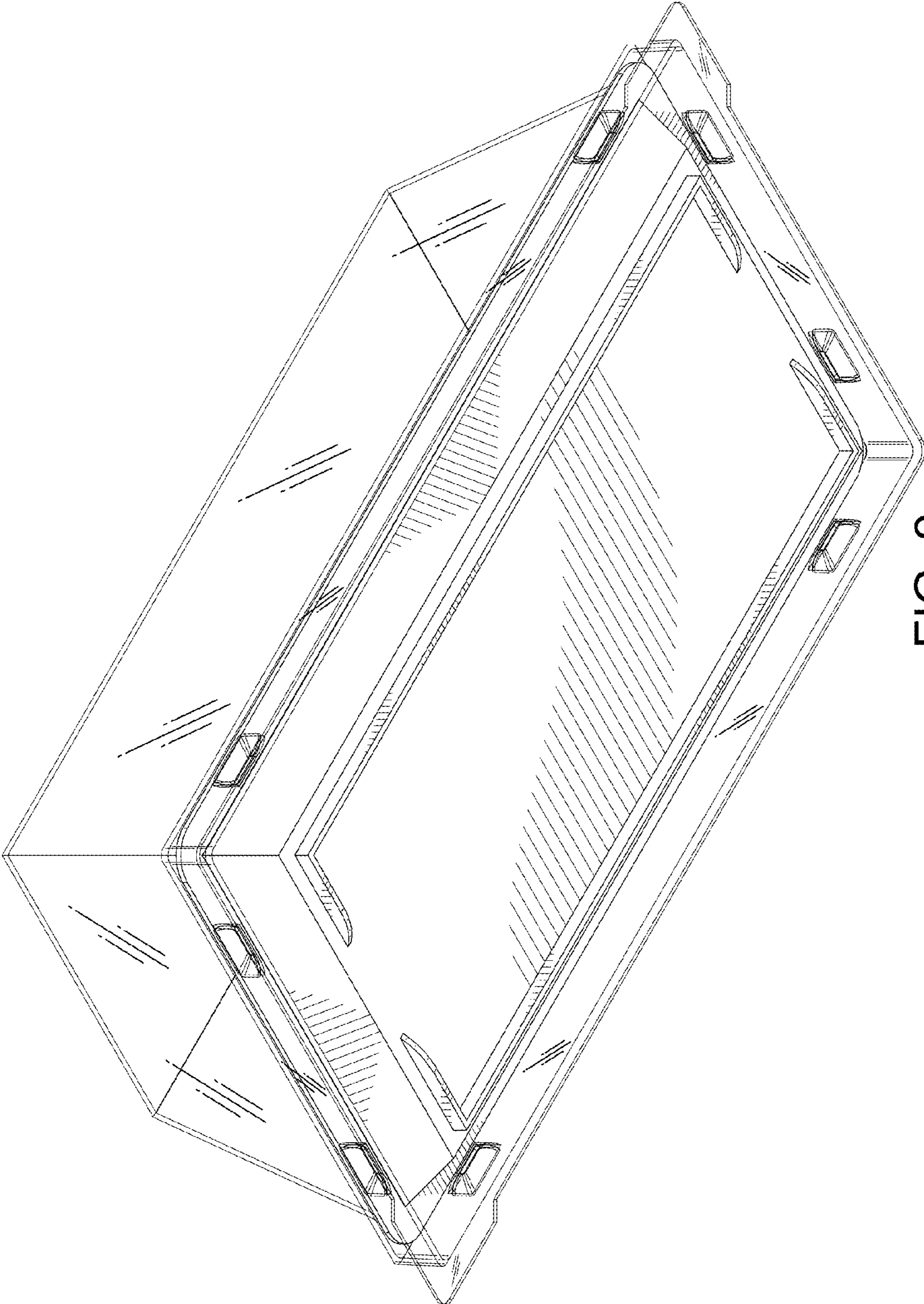


FIG. 2

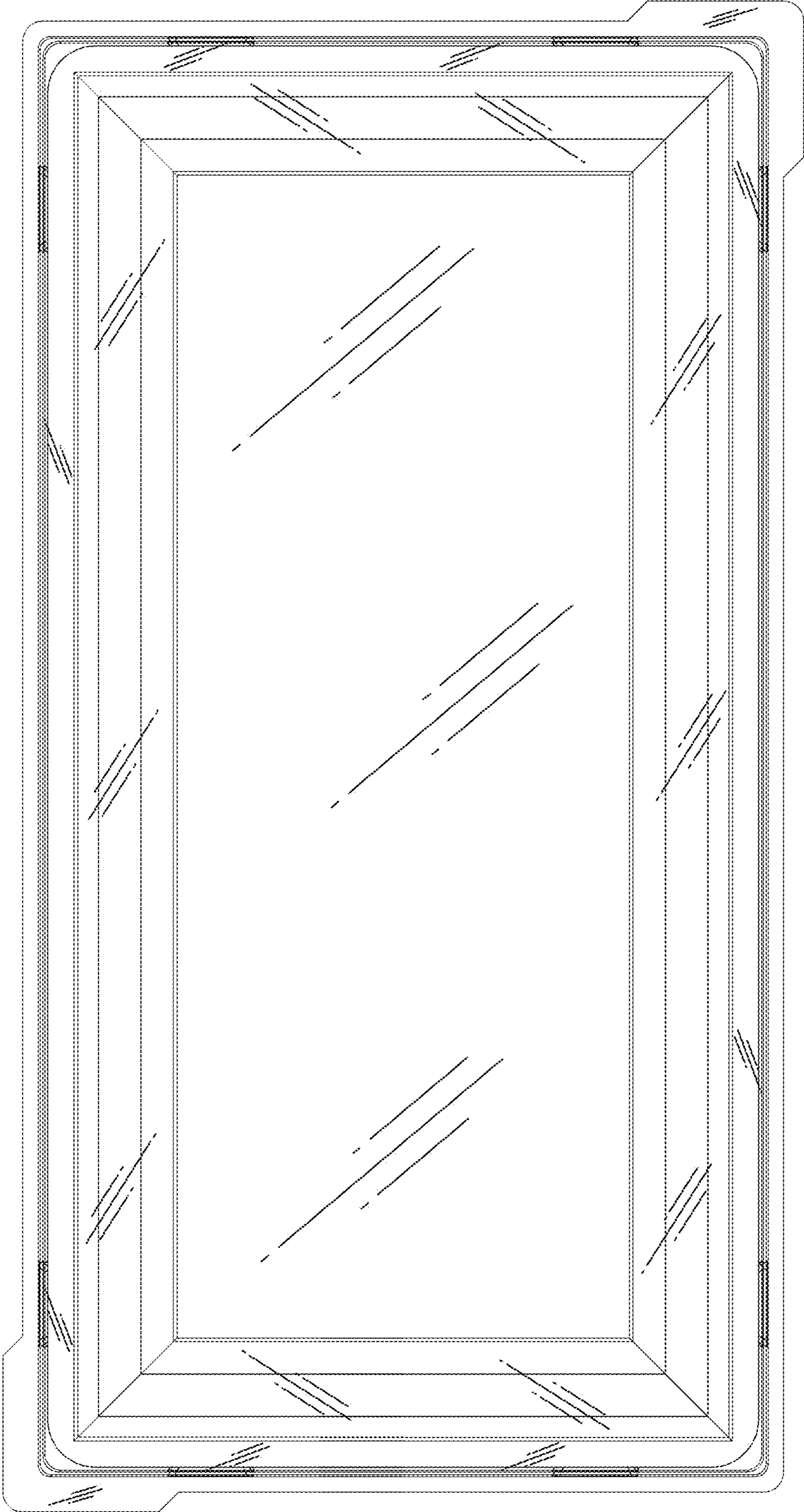


FIG. 3

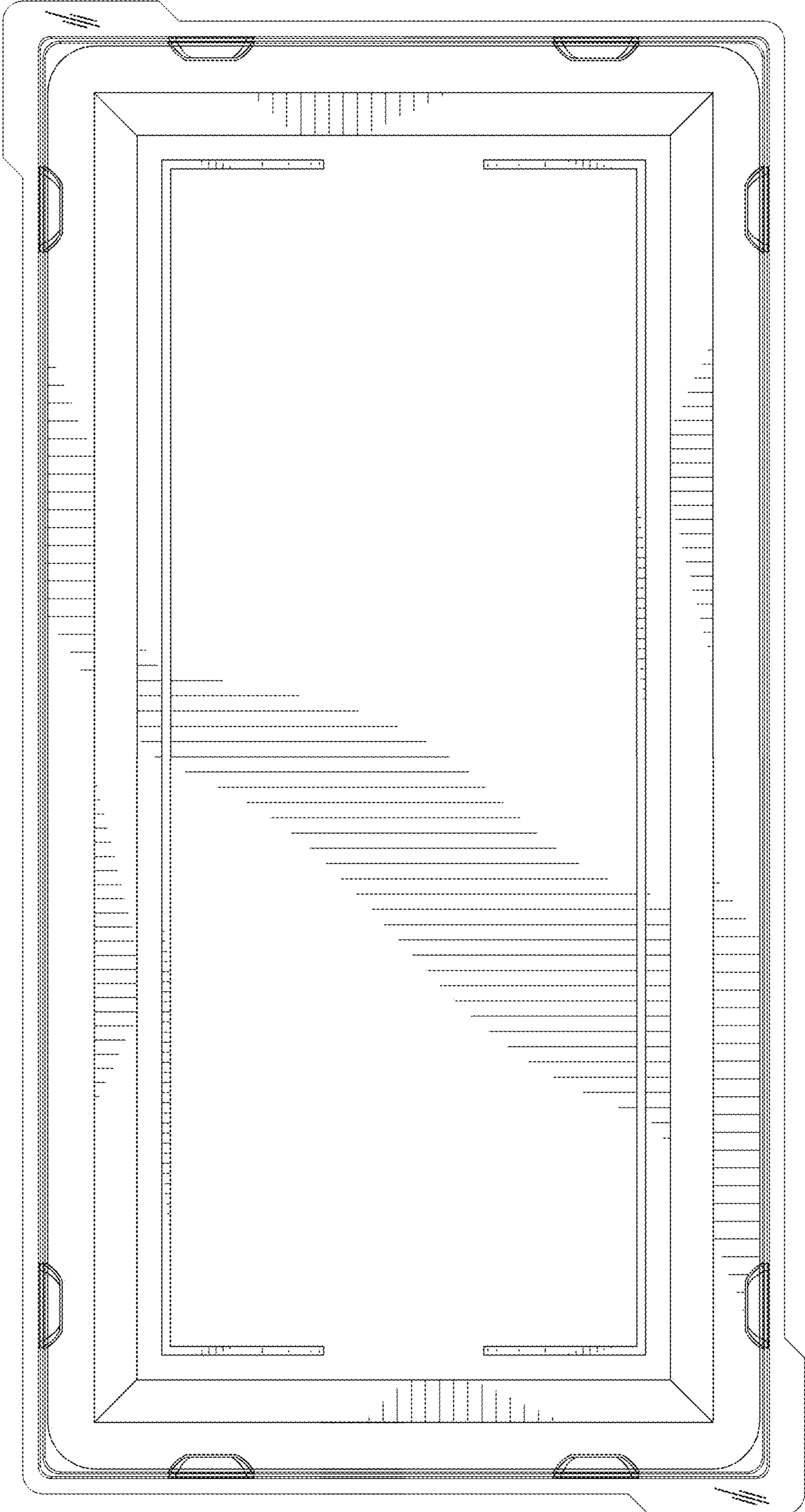


FIG. 4

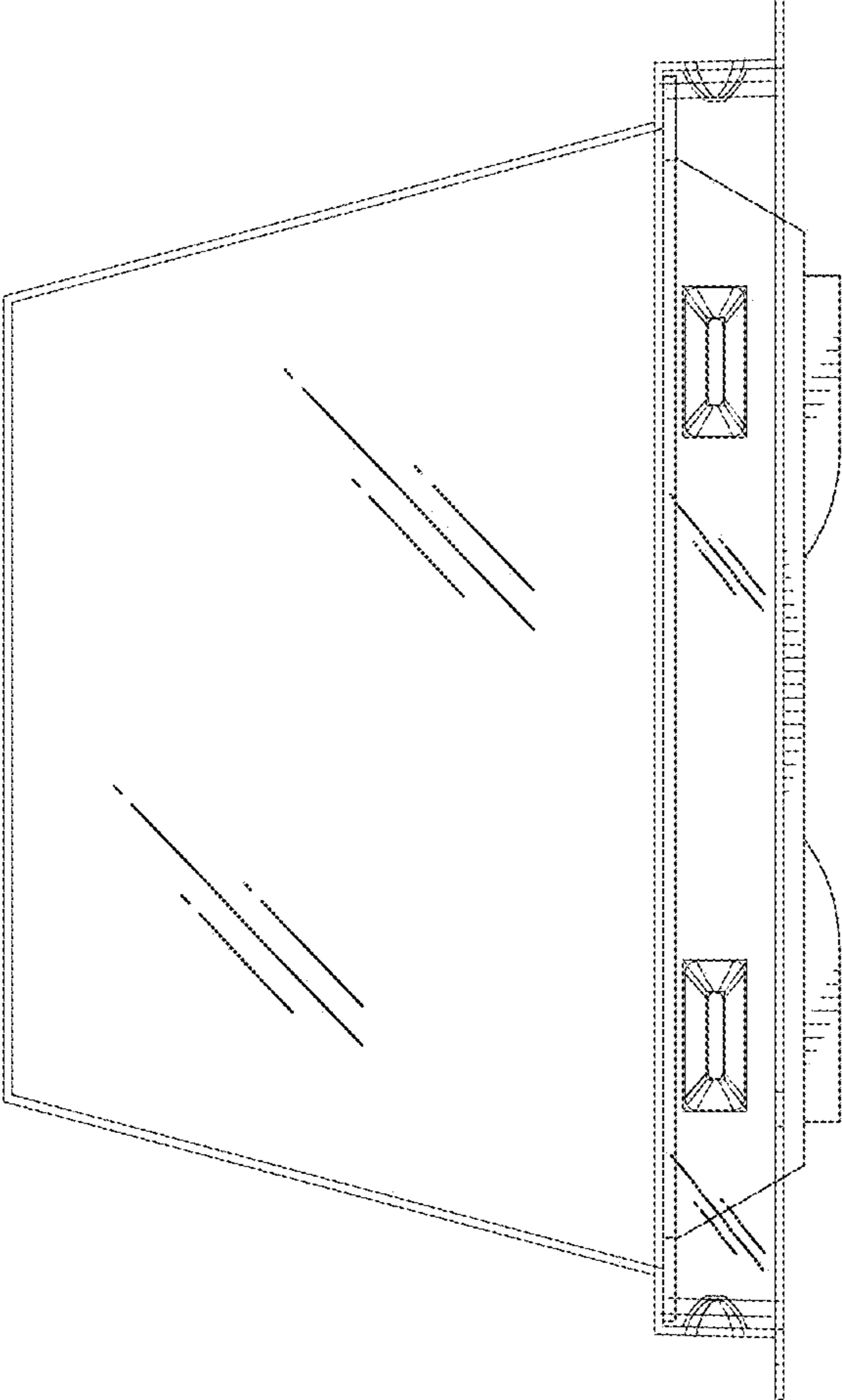


FIG. 5

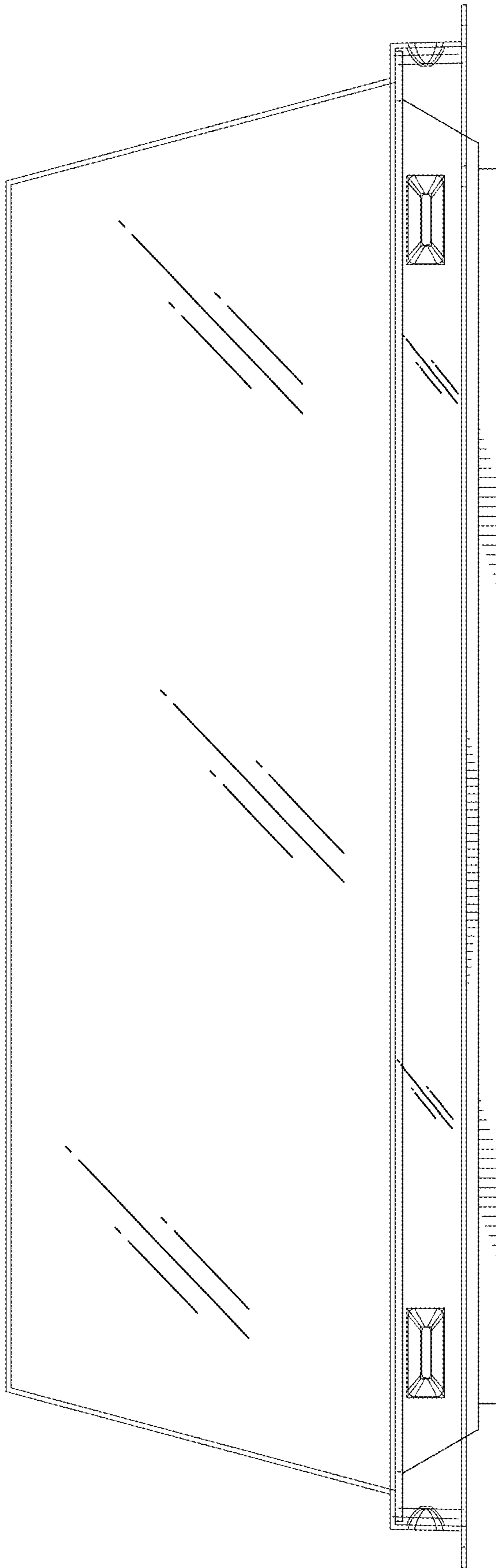


FIG. 6