



US00D896069S

(12) **United States Design Patent**
Kim

(10) **Patent No.:** **US D896,069 S**

(45) **Date of Patent:** **** Sep. 15, 2020**

- (54) **PRODUCT PACKAGING**
- (71) Applicant: **Soo Kim**, Columbus, OH (US)
- (72) Inventor: **Soo Kim**, Columbus, OH (US)
- (73) Assignee: **AUTOBOXCLUB, LLC**, Columbus, OH (US)
- (**) Term: **15 Years**
- (21) Appl. No.: **29/670,464**
- (22) Filed: **Nov. 15, 2018**
- (51) **LOC (12) Cl.** **09-03**
- (52) **U.S. Cl.**
USPC **D9/423**; D9/415
- (58) **Field of Classification Search**
USPC D9/414, 418, 420, 423, 424, 425, 426,
D9/715, 721; D6/632, 634, 635;
D24/121, 128
CPC B65D 2543/00296; B65D 2543/00685;
B65D 2543/00796; B65D 2543/00648;
B65D 2543/00101; B65D 1/0223; B65D
51/24; B65D 5/4204; B65D 2575/586
See application file for complete search history.

(56) **References Cited**

U.S. PATENT DOCUMENTS

- D378,570 S * 3/1997 MacEachern D9/415
- D378,894 S * 4/1997 Mello D9/415
- 5,626,226 A * 5/1997 Gardiner B65D 75/322
206/349
- D410,384 S * 6/1999 Gaffney D9/415
- 6,474,471 B1 * 11/2002 Miyake B65D 75/32
206/316.2
- D480,963 S * 10/2003 Lee D9/415

- 6,719,139 B1 * 4/2004 Foos B29C 51/04
206/462
- D593,405 S * 6/2009 Ma D9/415
- D598,737 S * 8/2009 Neves D9/415
- D700,508 S * 3/2014 Trontel D9/415
- D842,092 S * 3/2019 Toledo D9/425
- 2005/0269232 A1 * 12/2005 Eisenbraun B65D 75/22
206/461
- 2011/0048988 A1 * 3/2011 Kotula B25H 3/02
206/372
- 2016/0101919 A1 * 4/2016 Zacherle B65D 73/0092
206/461
- 2016/0101920 A1 * 4/2016 Kovell B65D 75/366
206/461
- 2018/0222633 A1 * 8/2018 Baker B65D 1/34

* cited by examiner

Primary Examiner — Lauren R Calve

(74) *Attorney, Agent, or Firm* — Bell Nunnally & Martin LLP

(57) **CLAIM**

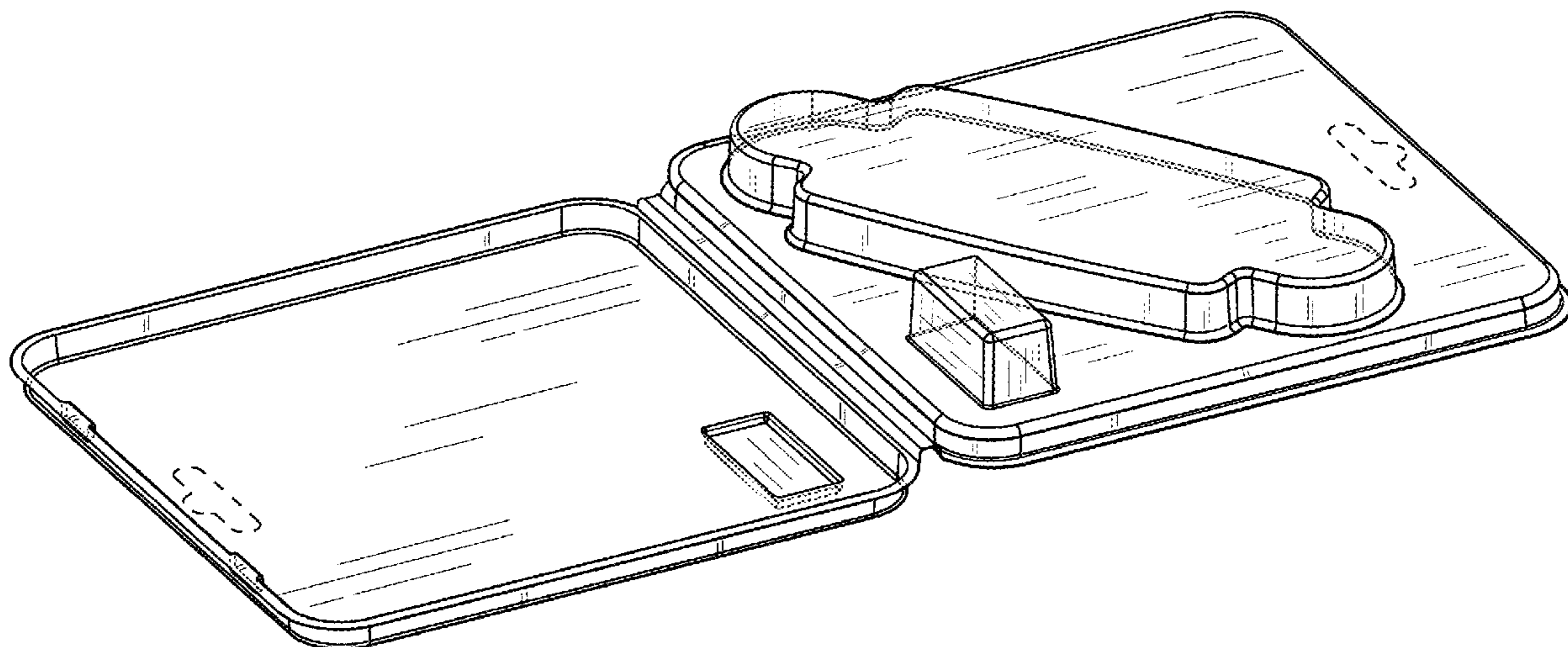
The ornamental design for a product packaging, as shown and described.

DESCRIPTION

FIG. 1 is a back view of a product packaging in accordance with my design;
 FIG. 2 is a side view thereof;
 FIG. 3 is a front view thereof;
 FIG. 4 is a front perspective view thereof; and,
 FIG. 5 is a rear perspective view thereof with a product therein.

The broken lines present in the drawings are for illustrative purposes only and form no part of the claimed design. The product shown in broken lines in FIG. 5 illustrates environmental matter that forms no part of the claimed design.

1 Claim, 5 Drawing Sheets



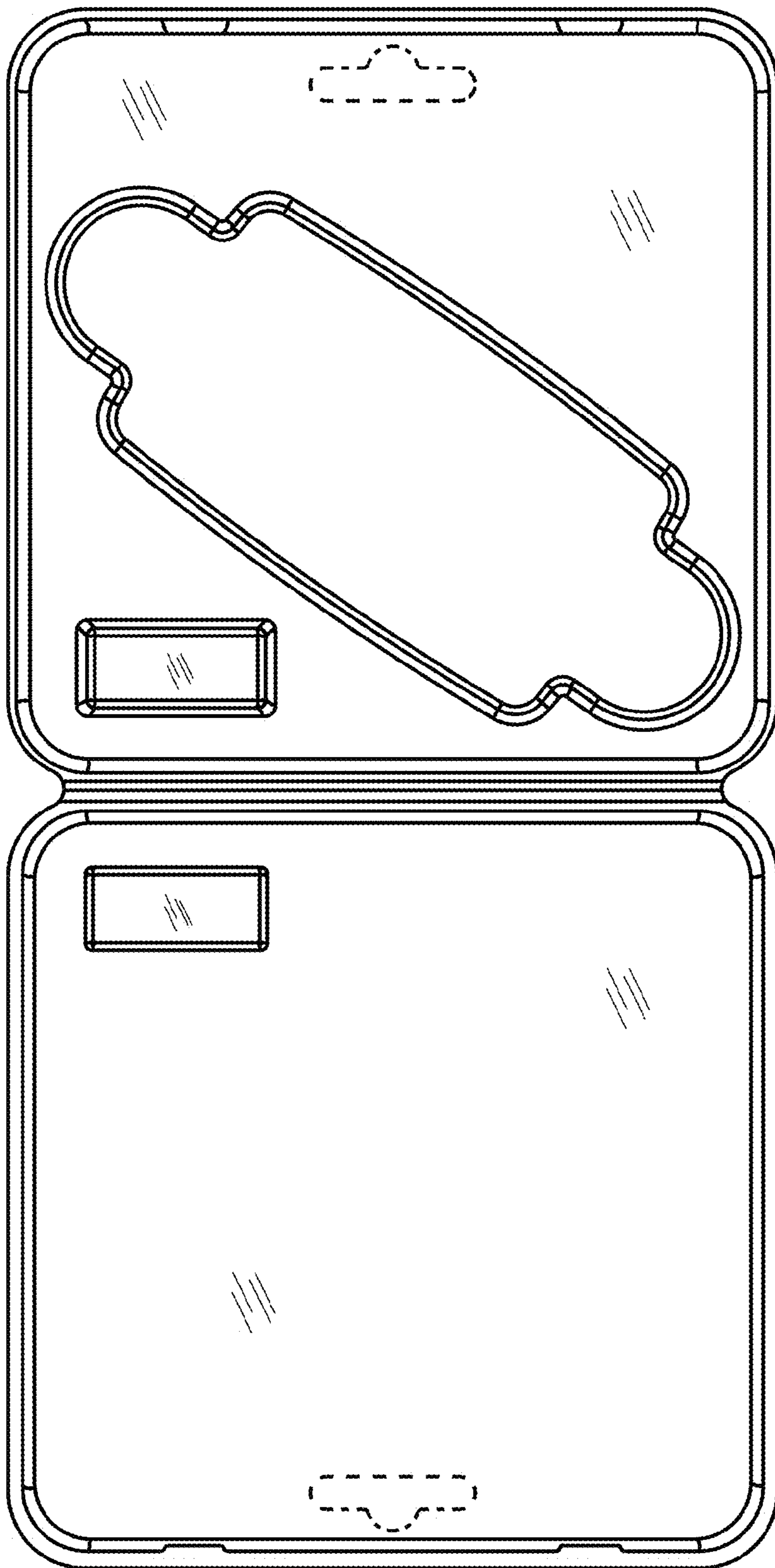


FIG. 1

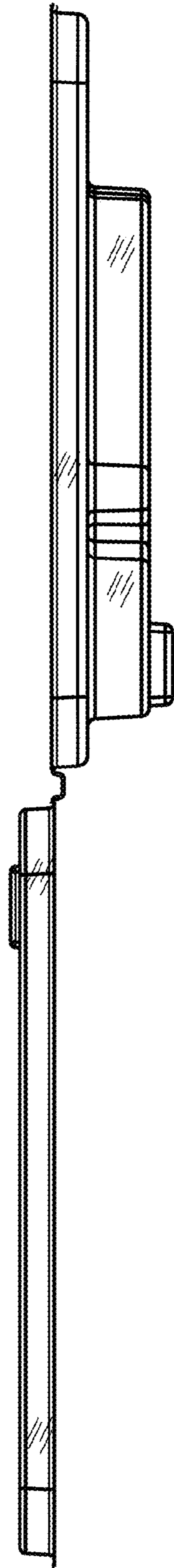


FIG. 2

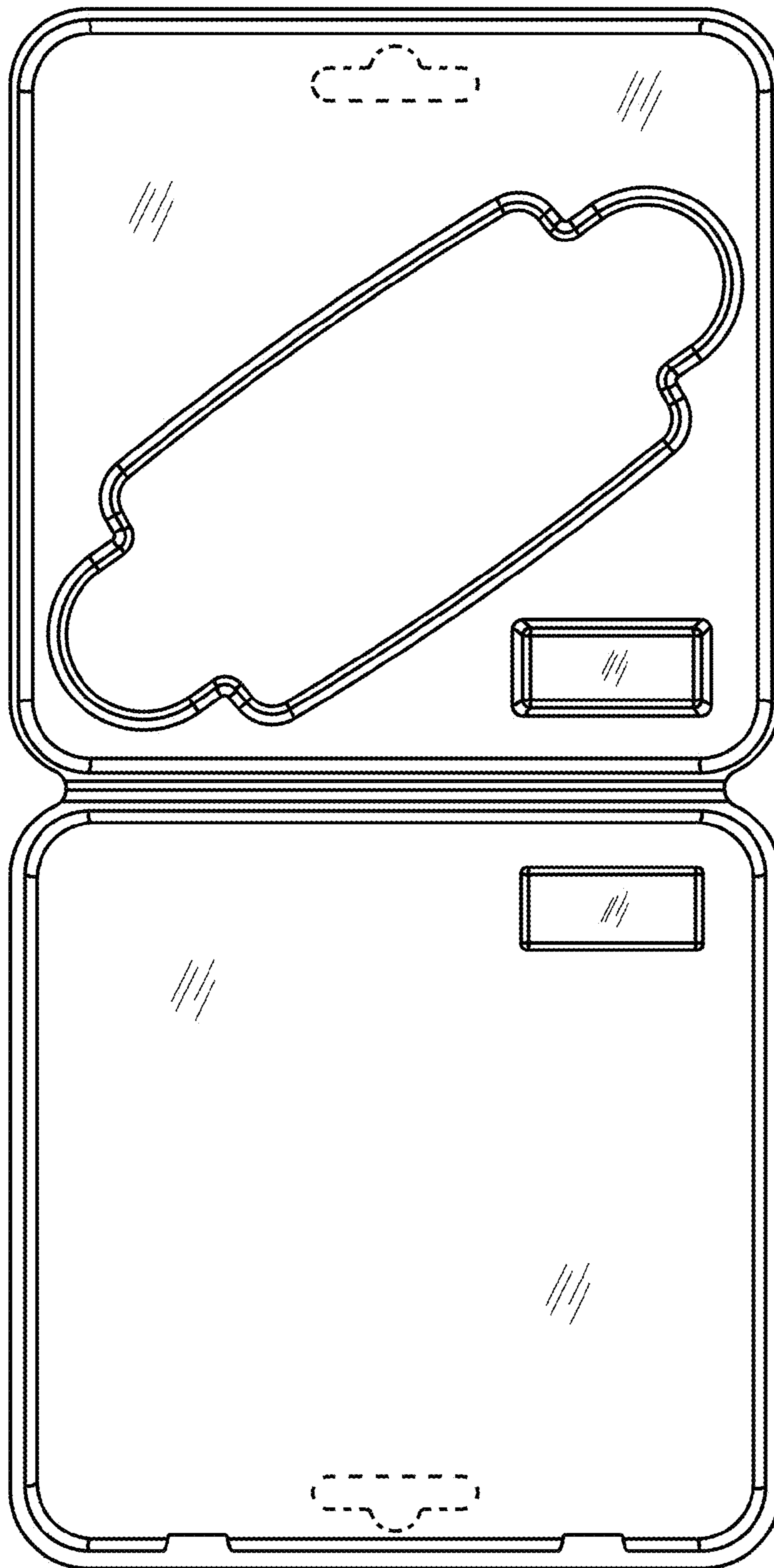


FIG. 3

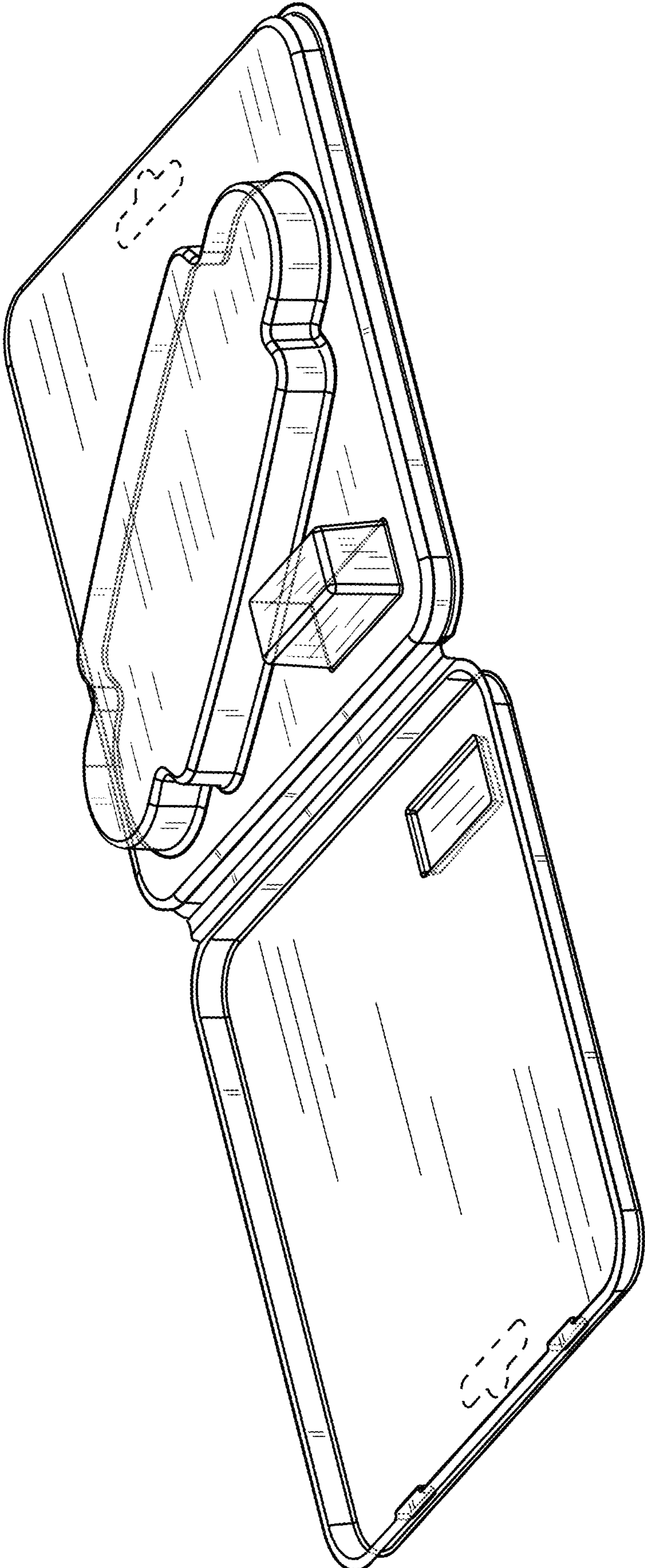


FIG. 4

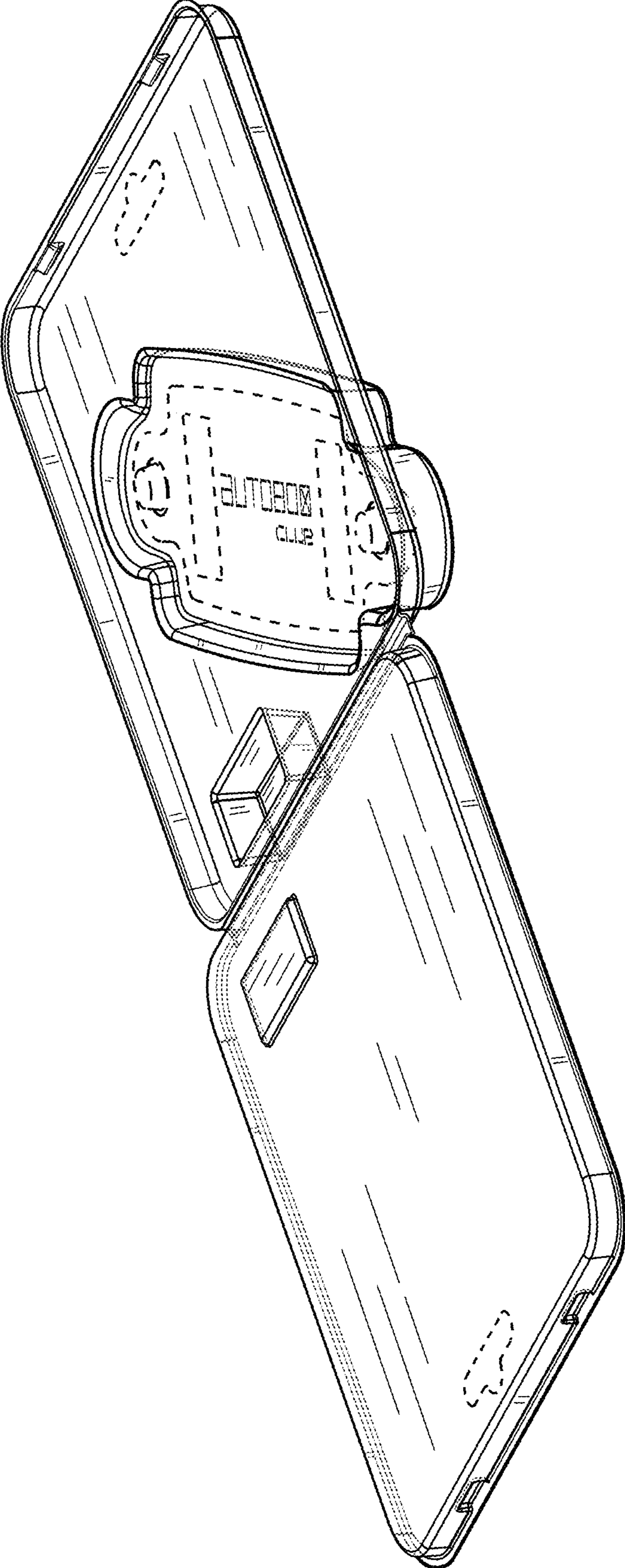


FIG. 5