



US00D896067S

(12) **United States Design Patent**  
**Giwani**

(10) **Patent No.:** **US D896,067 S**

(45) **Date of Patent:** **\*\* Sep. 15, 2020**

- (54) **OCTAGONAL CHARGING CABLE BOX**
- (71) Applicant: **Warner Wireless Int'l, Inc.**, Dallas, TX (US)
- (72) Inventor: **James Maajeed Giwani**, Dallas, TX (US)
- (\*\*) Term: **15 Years**
- (21) Appl. No.: **29/720,835**
- (22) Filed: **Jan. 16, 2020**
- (51) **LOC (12) Cl.** ..... **09-03**
- (52) **U.S. Cl.**  
USPC ..... **D9/418**
- (58) **Field of Classification Search**  
USPC ..... D9/414-418, 432, 721, 428, 430;  
D14/223; D8/356  
CPC ..... A61J 1/1425; B65H 75/44  
See application file for complete search history.

- 8,668,160 B2 3/2014 Cheng
- D704,073 S \* 5/2014 Akana ..... D9/721
- D706,643 S 6/2014 Akana et al.
- D709,385 S \* 7/2014 Vural ..... D9/721
- D722,264 S 2/2015 Saideh
- D722,497 S \* 2/2015 Saideh ..... D9/418
- D740,653 S 10/2015 Akana et al.
- D744,855 S \* 12/2015 Akana ..... D9/432
- D746,698 S 1/2016 Akana et al.
- D752,521 S 3/2016 Place
- D774,760 S 12/2016 Martinetti
- D793,223 S 8/2017 Minoli
- D796,968 S 9/2017 Akana et al.
- D799,316 S 10/2017 Thain et al.
- D807,761 S 1/2018 Akana et al.
- D829,551 S 11/2018 Akana et al.

(Continued)

*Primary Examiner* — Rhea Shields

(57) **CLAIM**

I claim the ornamental design for an octagonal charging cable box, as shown and described.

**DESCRIPTION**

FIG. 1 is a perspective view of the octagonal charging cable box;

FIG. 2 is a top side view thereof;

FIG. 3 is a bottom side view thereof;

FIG. 4 is a front side view thereof;

FIG. 5 is a rear side view thereof;

FIG. 6 is a right side view thereof;

FIG. 7 is a left side view thereof;

FIG. 8 is a perspective view thereof with environmental features; and,

FIG. 9 is a perspective view thereof with environmental features and the lid removed from the base.

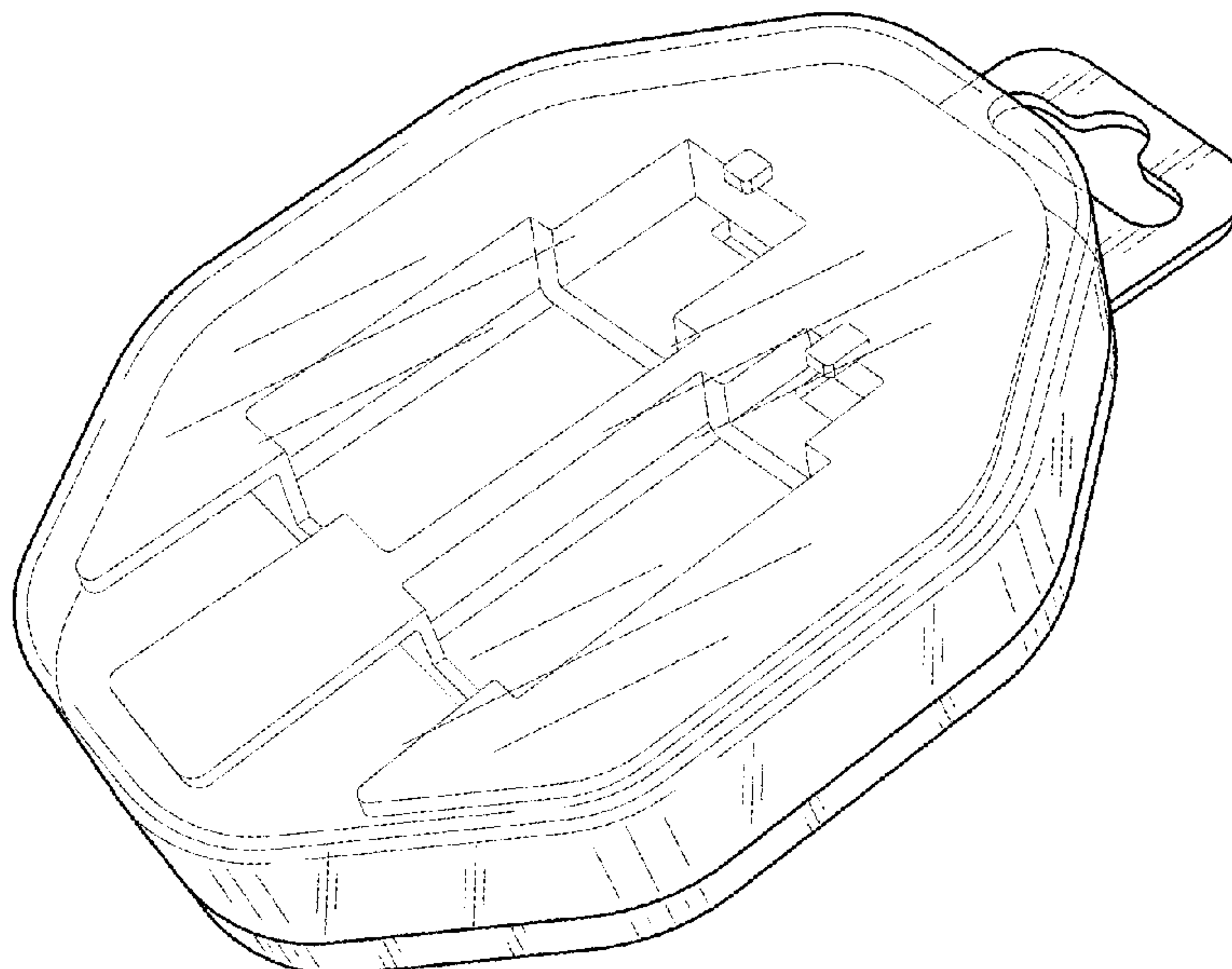
In FIGS. 8 and 9, the broken lines are for the purpose of illustrating environment only that forms no part of the claimed design.

(56) **References Cited**

**U.S. PATENT DOCUMENTS**

- D281,033 S 10/1985 Mohri
- D397,865 S 9/1998 Lin
- 5,984,224 A 11/1999 Yang
- 6,059,213 A \* 5/2000 Phillips ..... B65H 75/44  
191/12.4
- D493,335 S 7/2004 Armato
- D533,387 S 12/2006 Huang
- D601,884 S \* 10/2009 Andre ..... D9/430
- D620,257 S 7/2010 Fujimura et al.
- D620,781 S \* 8/2010 Weckworth ..... D8/356
- D659,991 S 5/2012 Long, Jr. et al.
- D667,390 S \* 9/2012 Matera ..... D14/223
- D669,744 S 10/2012 Cossu
- D672,260 S 12/2012 Irokawa et al.
- D685,771 S 7/2013 Bertenthal
- D693,675 S \* 11/2013 Staller ..... D9/430
- D694,101 S 11/2013 Radomyselski et al.
- 8,590,703 B2 11/2013 Tierney et al.

**1 Claim, 9 Drawing Sheets**



(56)

**References Cited**

U.S. PATENT DOCUMENTS

|              |     |         |              |        |
|--------------|-----|---------|--------------|--------|
| D833,887     | S   | 11/2018 | Akana et al. |        |
| D838,480     | S   | 1/2019  | Son et al.   |        |
| D840,218     | S   | 2/2019  | Thain et al. |        |
| D844,456     | S   | 4/2019  | O'Neil       |        |
| D861,475     | S * | 10/2019 | Giwani ..... | D9/418 |
| D862,218     | S * | 10/2019 | Giwani ..... | D9/418 |
| D863,055     | S * | 10/2019 | Hudson ..... | D9/430 |
| D865,511     | S * | 11/2019 | Giwani ..... | D9/418 |
| D869,269     | S * | 12/2019 | Giwani ..... | D9/418 |
| D875,518     | S * | 2/2020  | Giwani ..... | D9/418 |
| 2013/0105342 | A1  | 5/2013  | Yamamoto     |        |
| 2015/0375893 | A1  | 12/2015 | Korinek      |        |

\* cited by examiner

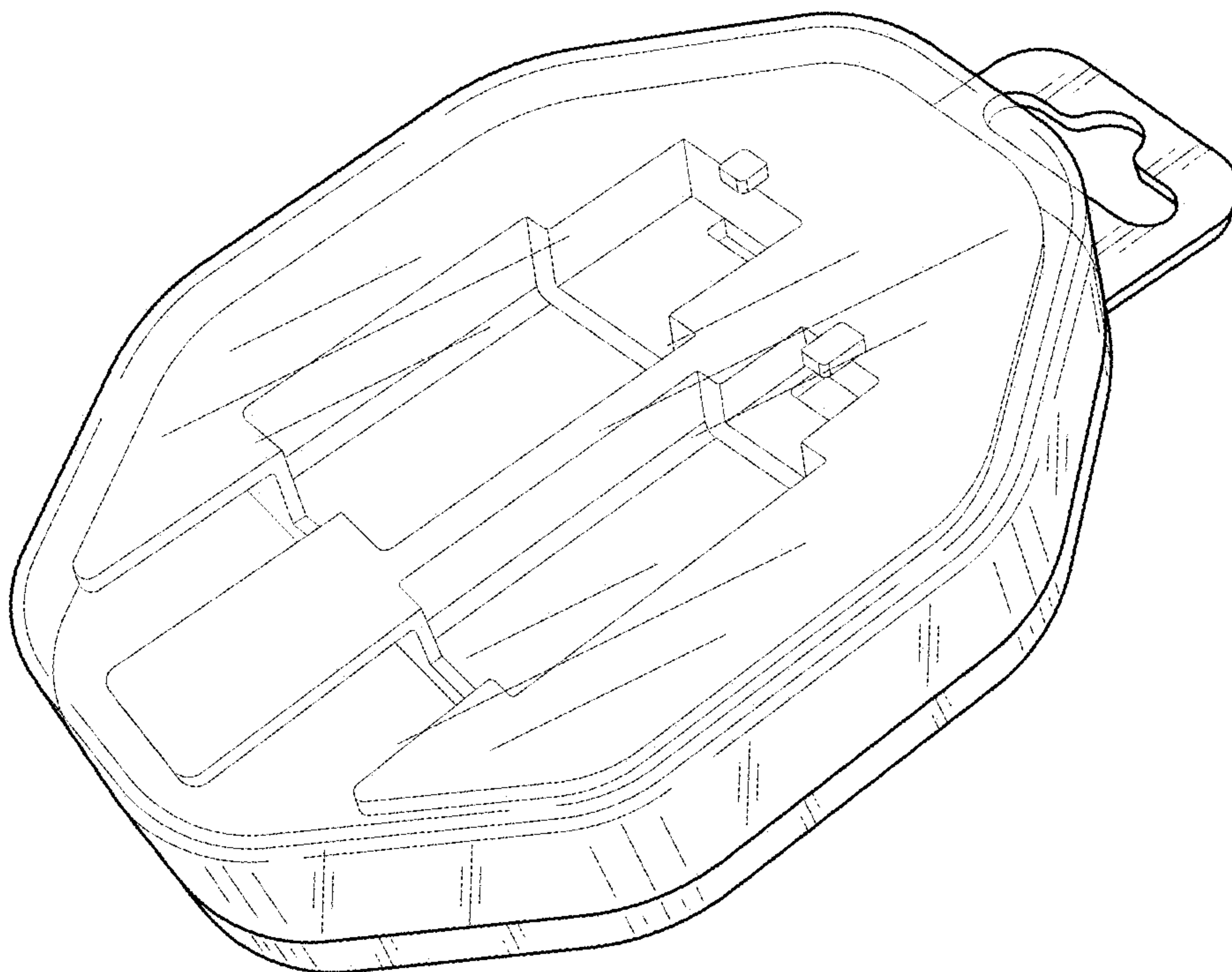


FIG. 1

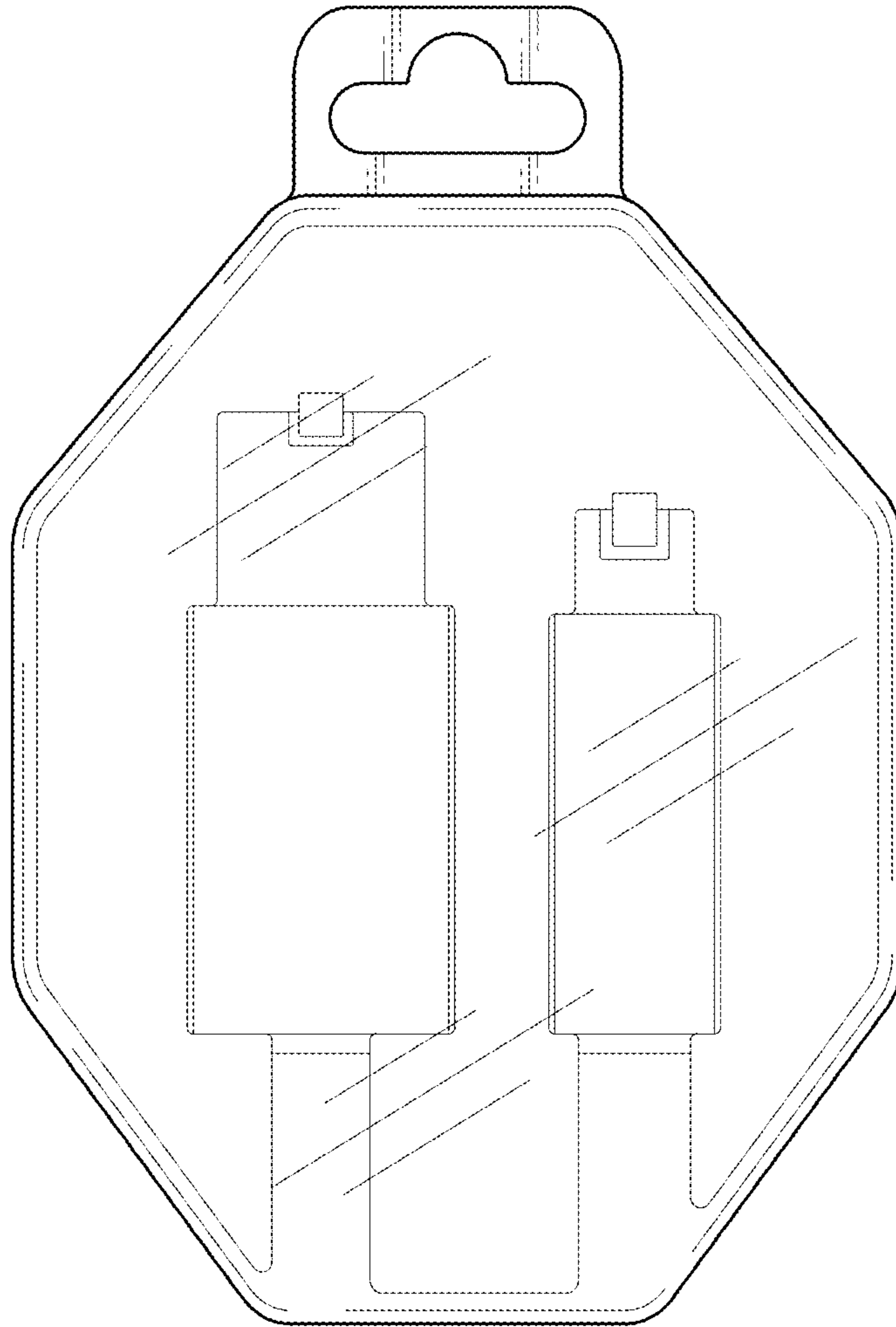


FIG. 2

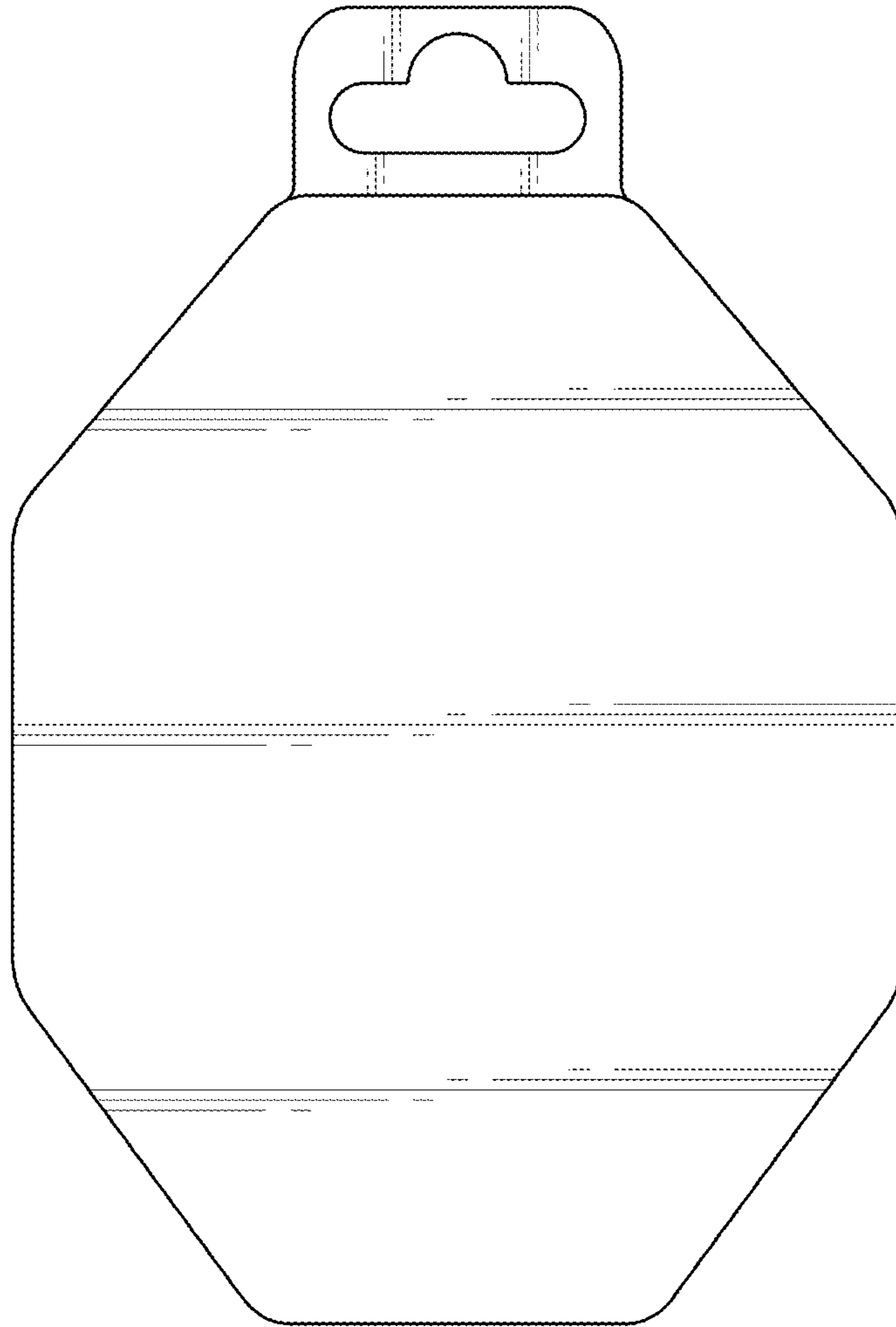


FIG. 3

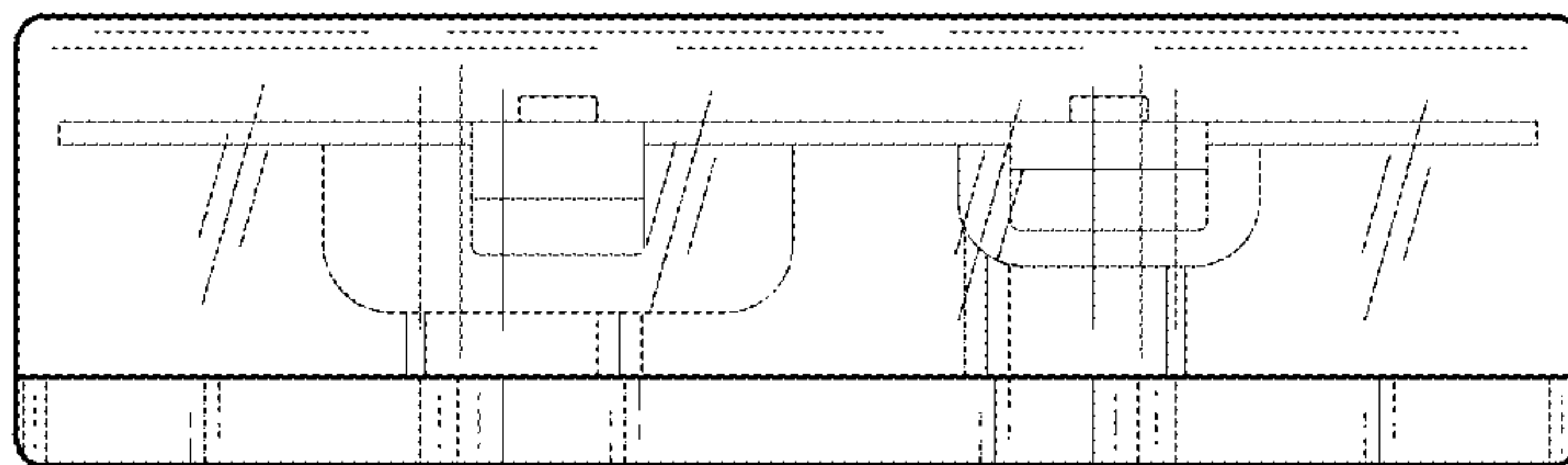


FIG. 4

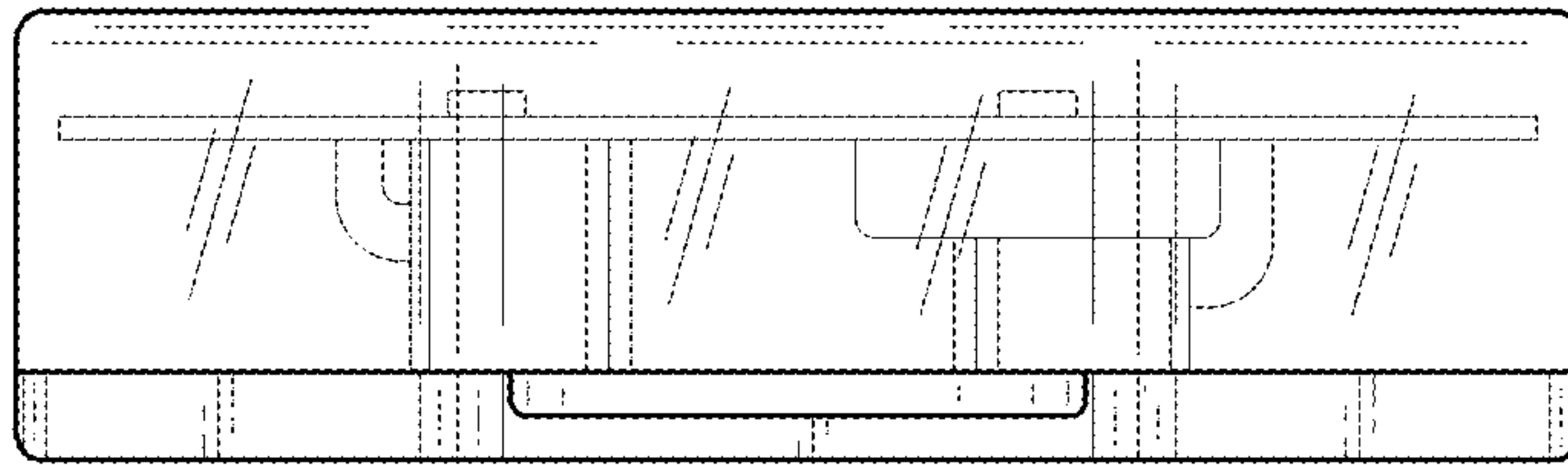


FIG. 5



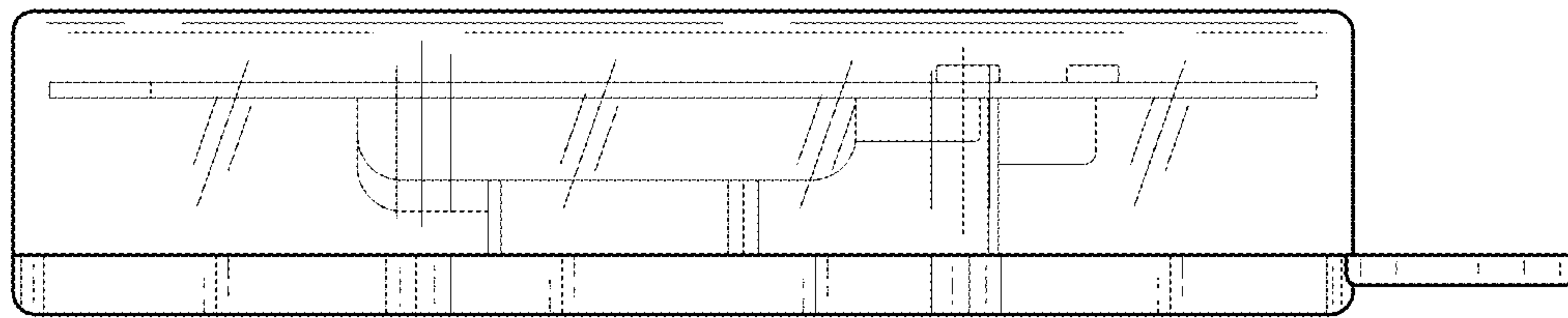


FIG. 6



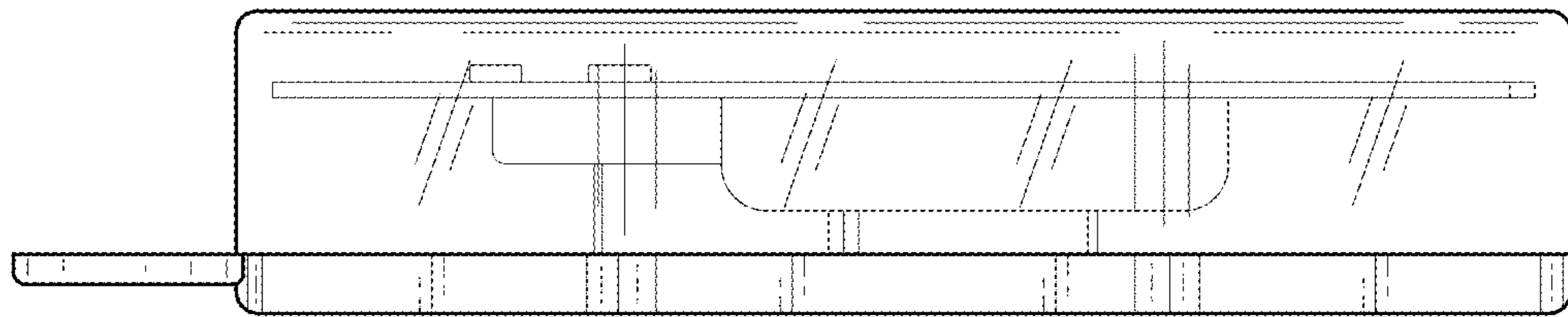


FIG. 7

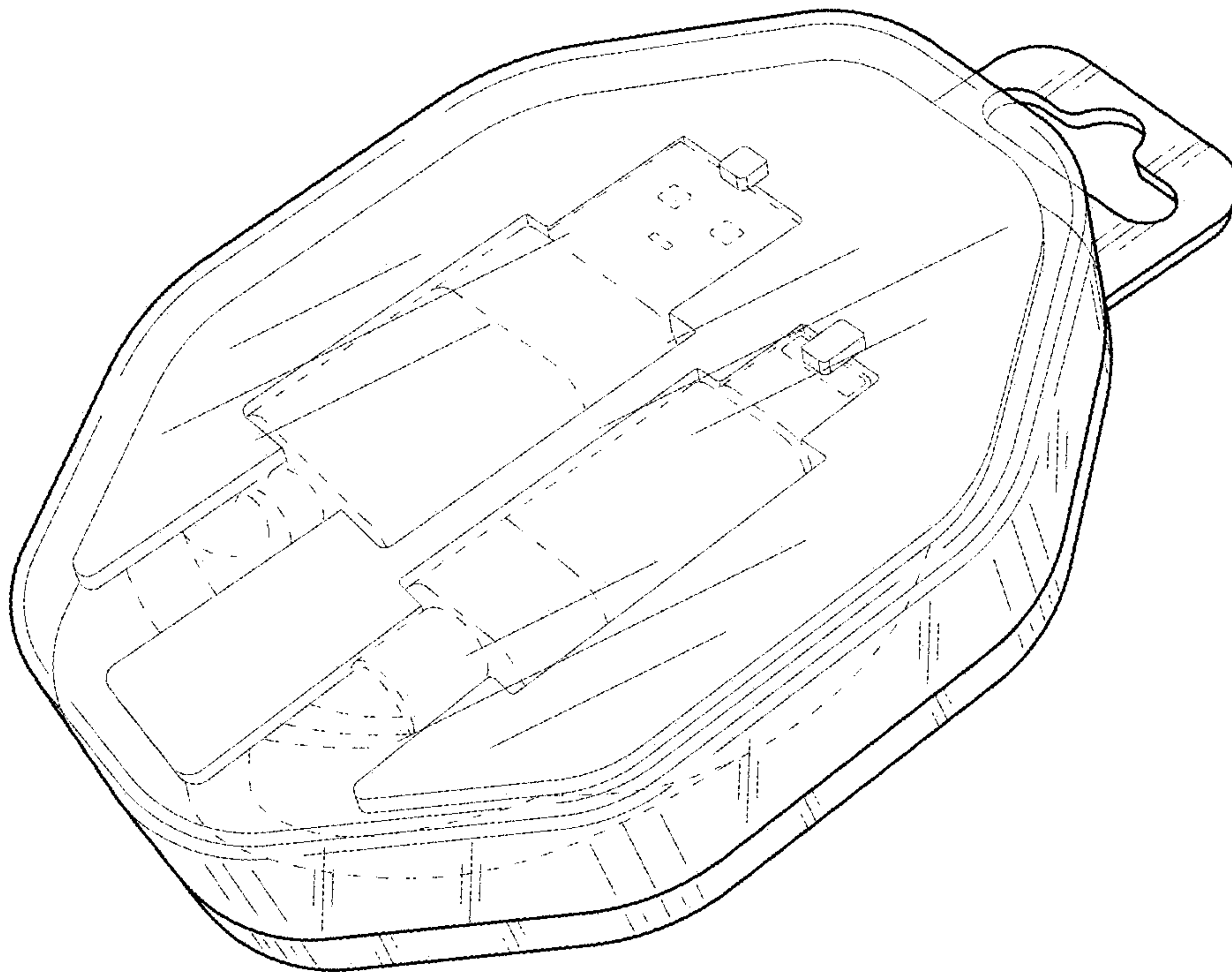


FIG. 8

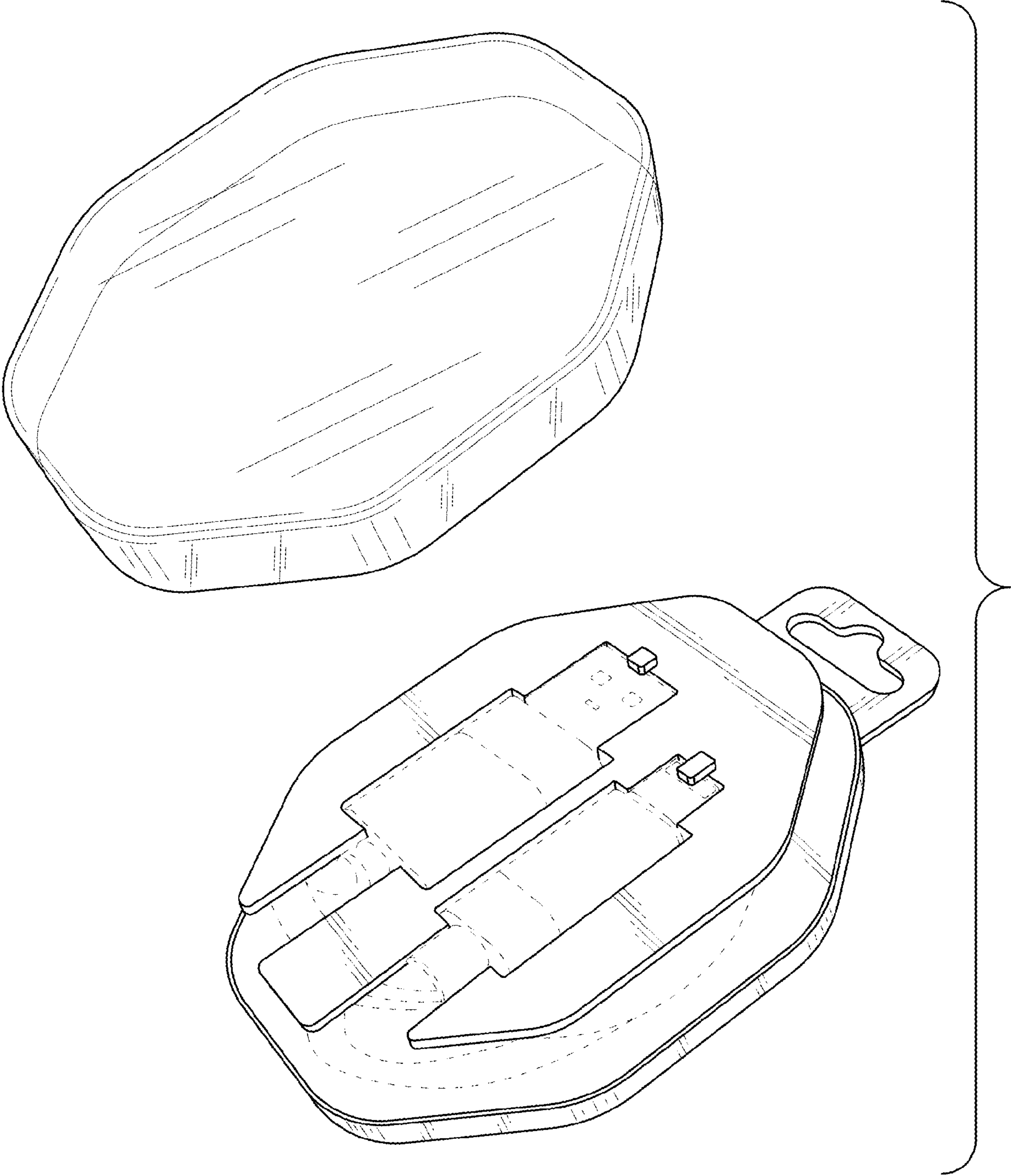


FIG. 9