



US00D896066S

(12) **United States Design Patent**  
**Tung**

(10) **Patent No.:** **US D896,066 S**

(45) **Date of Patent:** **\*\* Sep. 15, 2020**

(54) **SHEATH**

(71) Applicant: **Philip Morris Products S.A.**,  
Neuchatel (CH)

(72) Inventor: **Jeffrey Tung**, San Francisco, CA (US)

(73) Assignee: **Philip Morris Products S.A.**,  
Neuchatel (CH)

(\*\*) Term: **15 Years**

(21) Appl. No.: **29/669,662**

(22) Filed: **Nov. 9, 2018**

(30) **Foreign Application Priority Data**

May 9, 2018 (EM) ..... 005262797-0006  
May 9, 2018 (EM) ..... 005262797-0007

(51) **LOC (12) Cl.** ..... **09-03**

(52) **U.S. Cl.**  
USPC ..... **D9/418**

(58) **Field of Classification Search**  
USPC ..... D9/414-418, 431, 432, 444, 761, 435,  
D9/711; D14/439; D8/394; D12/415  
CPC ..... B65D 83/04; A45D 27/02  
See application file for complete search history.

(56) **References Cited**

**U.S. PATENT DOCUMENTS**

3,585,982 A \* 6/1971 Hollinshead ..... A45D 27/02  
126/263.1  
D600,549 S \* 9/2009 Anderson ..... D9/432

D610,441 S \* 2/2010 Jones ..... D8/394  
D666,203 S \* 8/2012 Wang ..... D14/439  
D699,591 S \* 2/2014 Malley ..... D9/711  
D715,638 S \* 10/2014 Wollschleger ..... B65D 83/04  
D9/416  
D735,576 S \* 8/2015 Aldridge ..... D9/435  
D763,675 S \* 8/2016 McDonald ..... D9/415  
D852,622 S \* 7/2019 Li ..... D9/432  
D854,412 S \* 7/2019 Smalley ..... D9/431  
D854,943 S \* 7/2019 Requena ..... D9/761  
D882,400 S \* 4/2020 Morrison ..... D9/444  
D882,488 S \* 4/2020 Tung ..... D12/415

\* cited by examiner

*Primary Examiner* — Rhea Shields

(74) *Attorney, Agent, or Firm* — Oblon, McClelland,  
Maier & Neustadt, L.L.P.

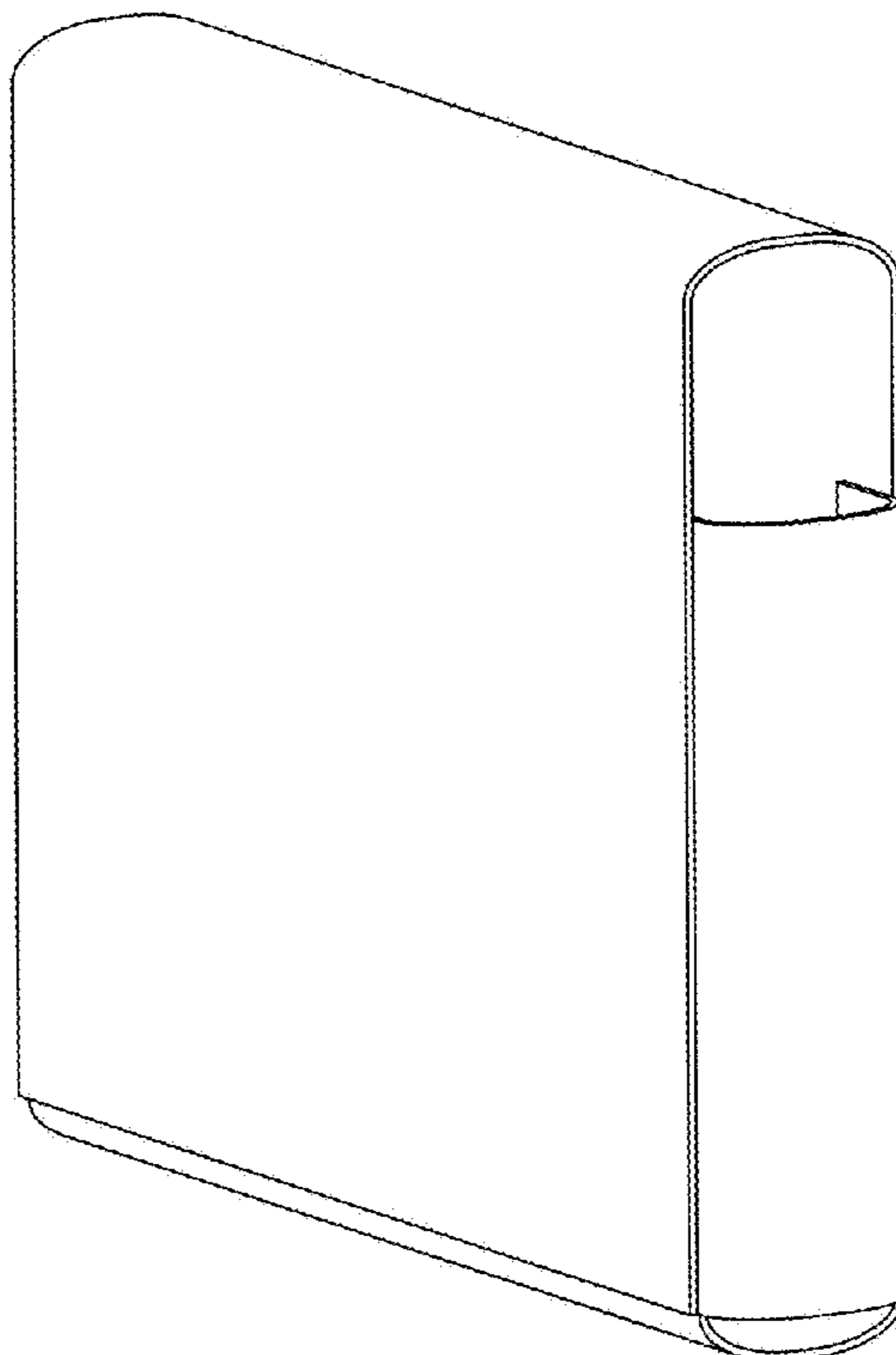
(57) **CLAIM**

The ornamental design for a sheath, as shown and described.

**DESCRIPTION**

FIG. 1 is a front, top, and right side perspective view of a sheath;  
FIG. 2 is a front elevational view thereof;  
FIG. 3 is a rear elevational view thereof;  
FIG. 4 is a left side elevational view thereof;  
FIG. 5 is a right side elevational view thereof;  
FIG. 6 is a top plan view thereof; and,  
FIG. 7 is a bottom plan view thereof.

**1 Claim, 7 Drawing Sheets**



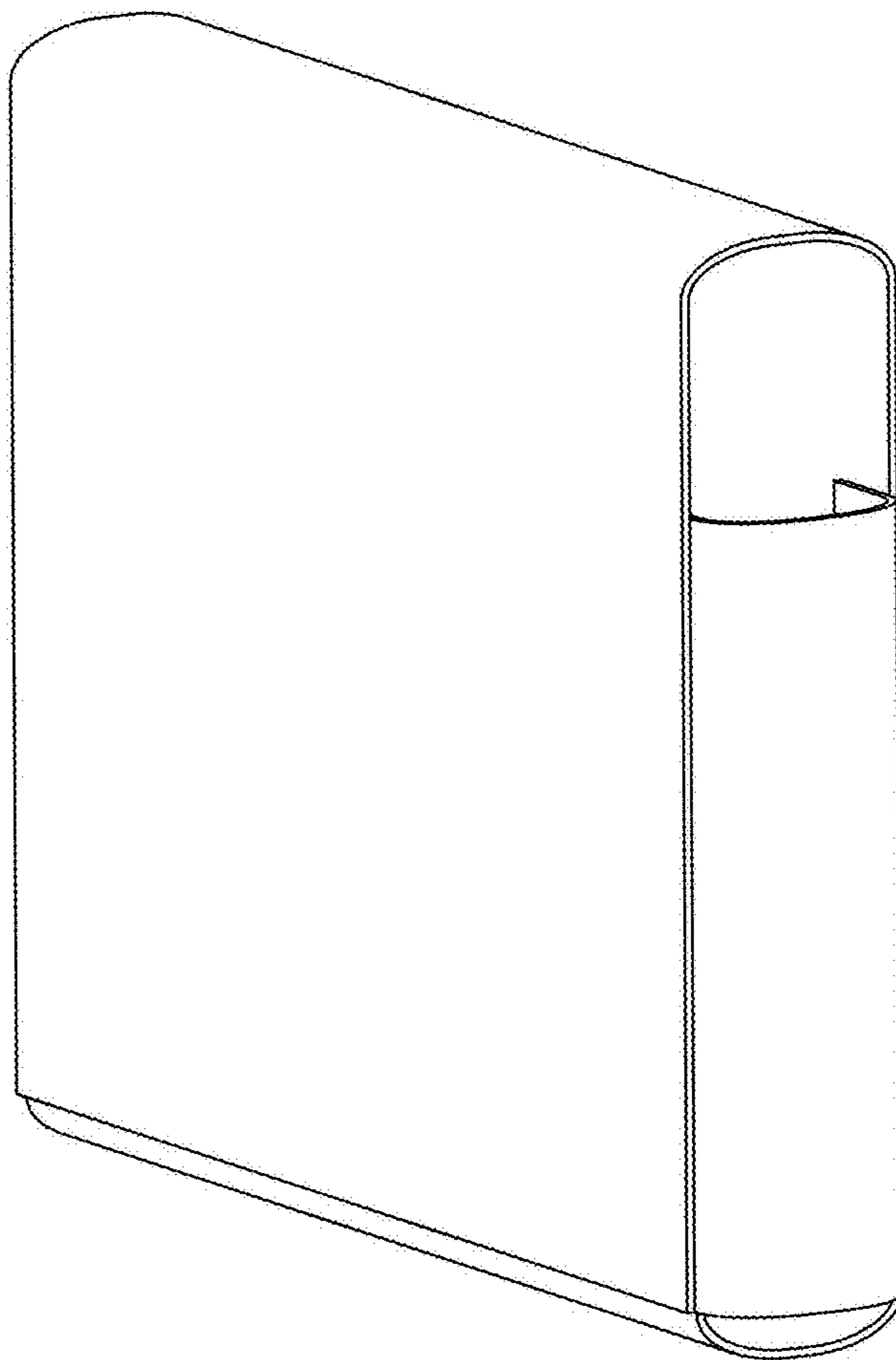


FIG. 1

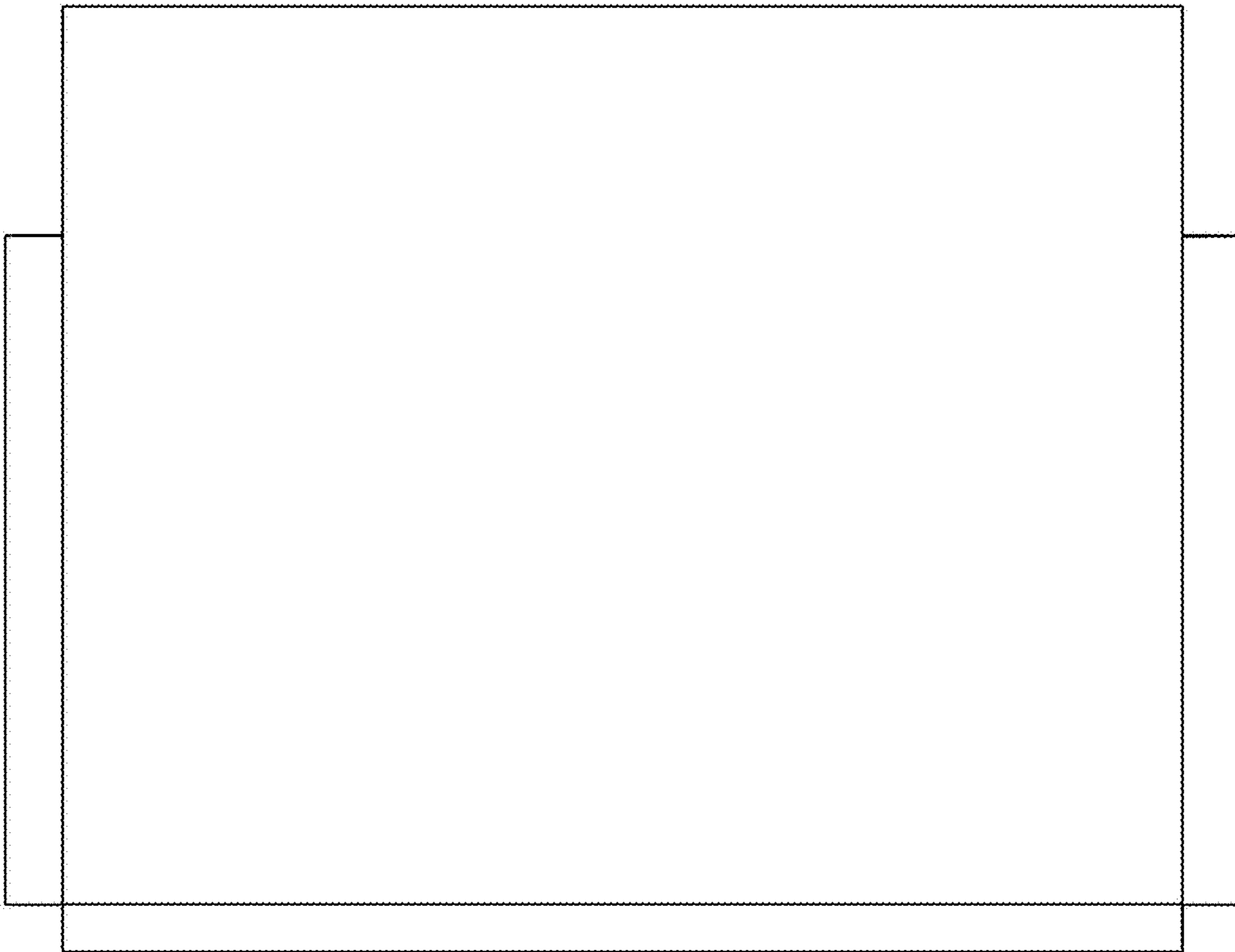


FIG. 2

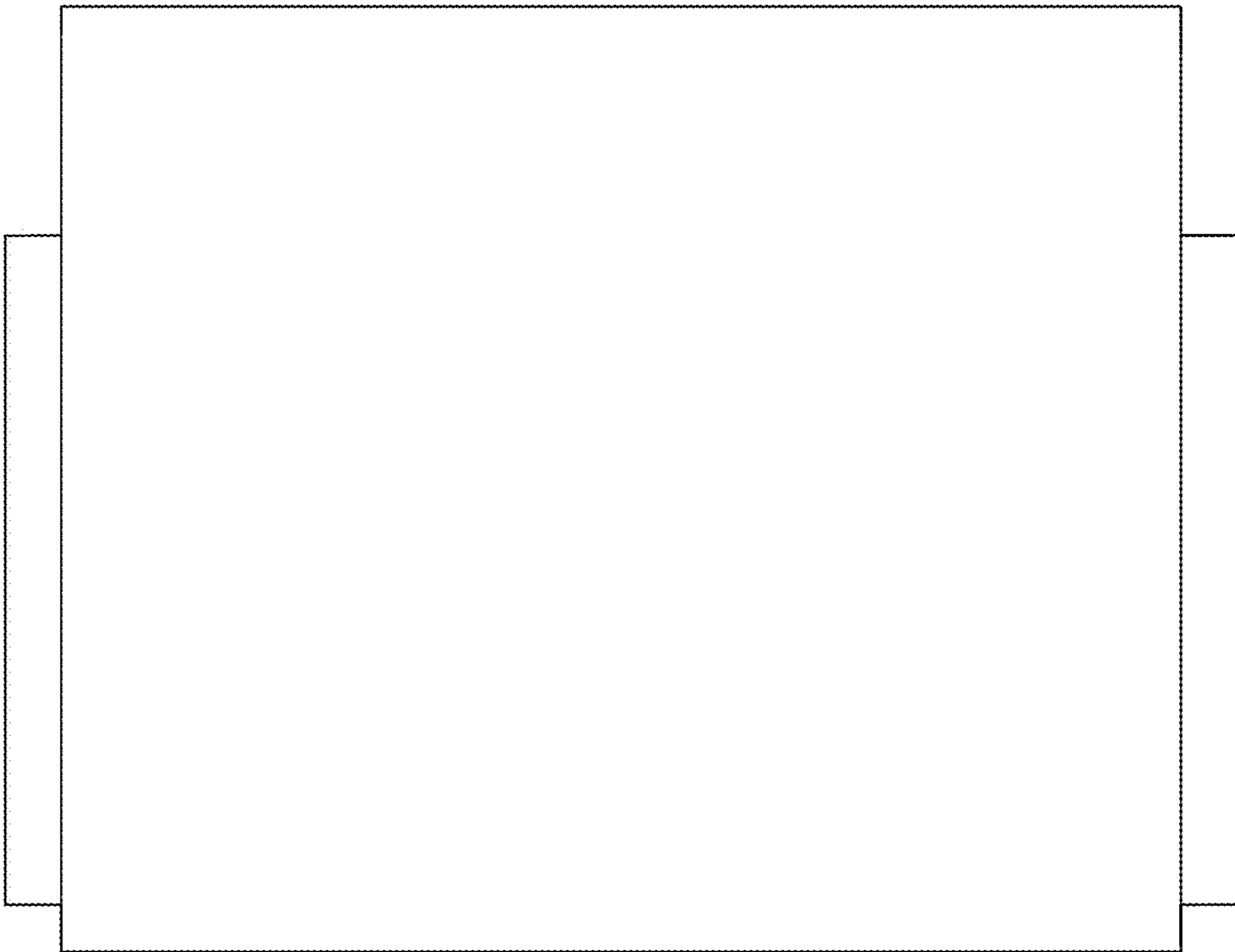


FIG. 3

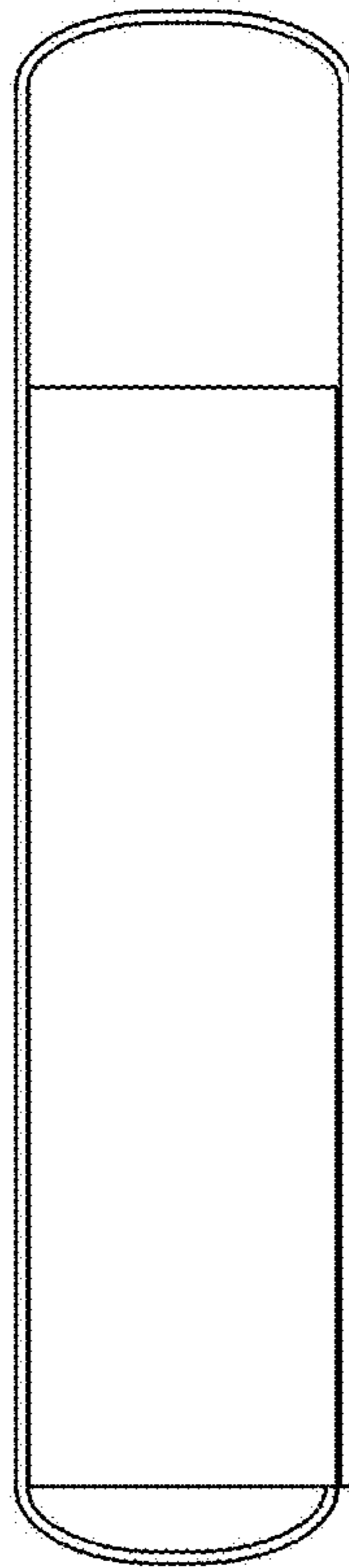


FIG. 4

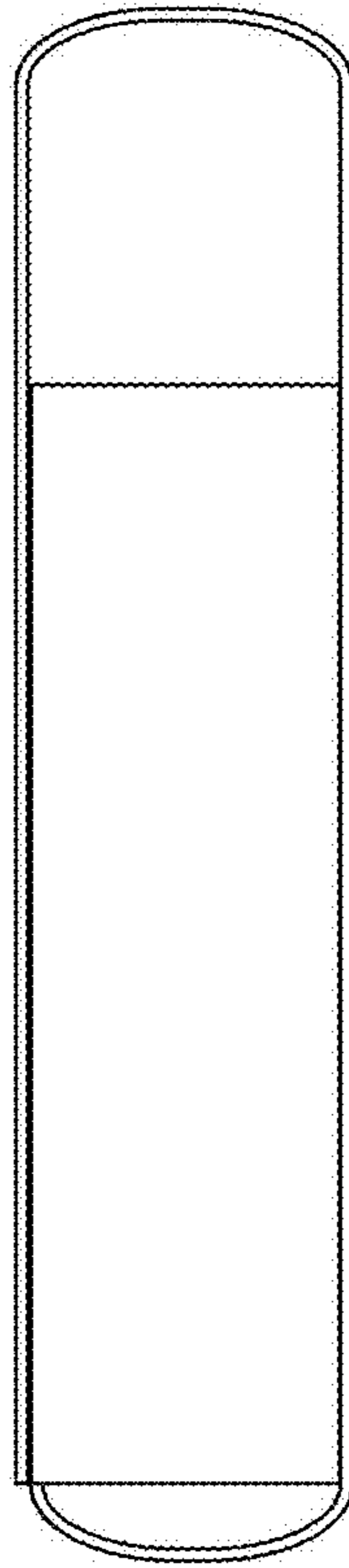


FIG. 5

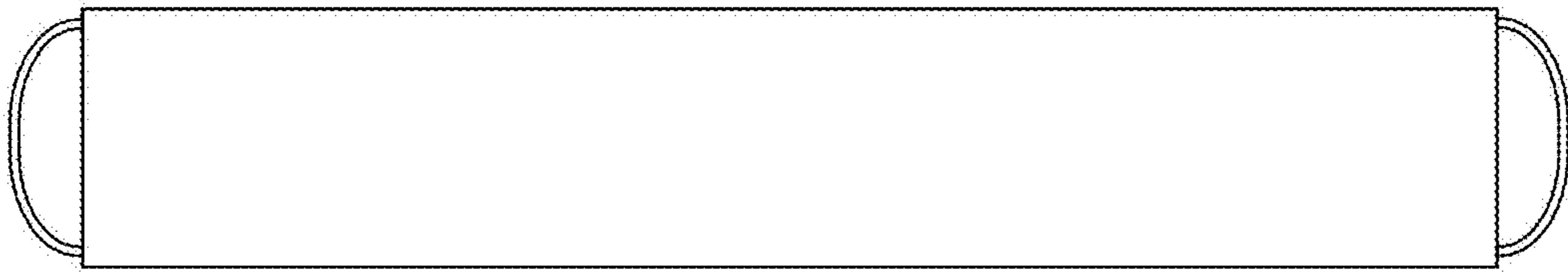


FIG. 6

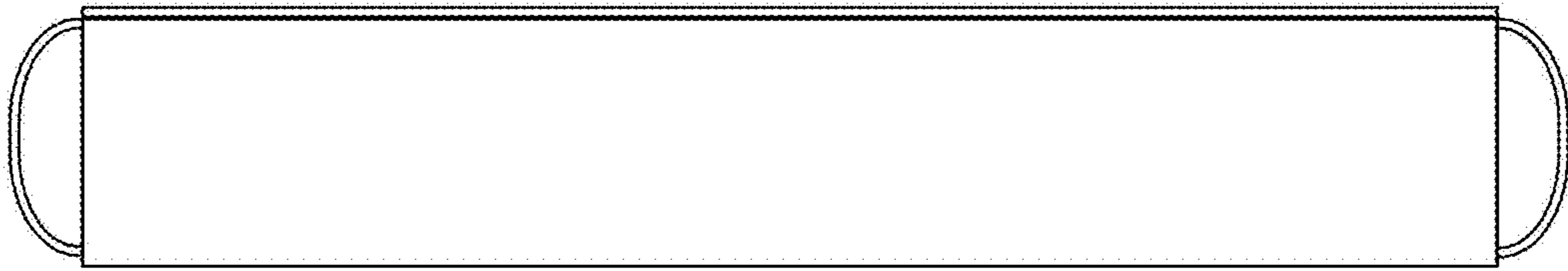


FIG. 7