



US00D896065S

(12) **United States Design Patent** (10) **Patent No.:** **US D896,065 S**
Blay et al. (45) **Date of Patent:** **** Sep. 15, 2020**

(54) **PACKAGING FOR IMPLANTABLE ITEMS**

(56) **References Cited**

(71) Applicant: **M3 HEALTH INDÚSTRIA E COMÉRCIO DE PRODUTOS MÉDICOS, ODONTOLÓGICOS E CORRELATOS S.A., Jundiai (BR)**

U.S. PATENT DOCUMENTS

(72) Inventors: **Alberto Blay, São Paulo (BR); Jamil Awad Shibli, Guarulhos (BR); Sammy Tunchel, São Paulo (BR)**

D467,497 S *	12/2002	Liu	D9/429
D470,768 S *	2/2003	Melhede	D9/428
D479,366 S *	9/2003	Goswell	D28/82
D560,488 S *	1/2008	Rust	D9/414
D656,029 S *	3/2012	Nagata	D9/445
D683,498 S *	5/2013	Ghiotti	D27/186
D727,140 S *	4/2015	Lehaneur	D9/414
D790,334 S *	6/2017	Pan	D9/423
D812,462 S *	3/2018	Xu	D9/420
D838,174 S *	1/2019	Cho	D9/500
D845,612 S *	4/2019	Amitai	D3/203.1
D851,035 S *	6/2019	Hong	D13/108
2019/0174898 A1 *	6/2019	Lu	A45D 40/00

(73) Assignee: **M3 HEALTH INDÚSTRIA E COMÉRCIO DE PRODUTOS MÉDICOS, ODONTOLÓGICOS E CORRELATOS S.A., Jundia, SP (BR)**

* cited by examiner

(**) Term: **15 Years**

Primary Examiner — Wan Laymon

(21) Appl. No.: **29/639,728**

Assistant Examiner — Clint A Samuel

(22) Filed: **Mar. 8, 2018**

(74) *Attorney, Agent, or Firm* — B. Aaron Schulman, Esq.; Stites & Harbison, PLLC

(30) **Foreign Application Priority Data**

(57) **CLAIM**

Sep. 8, 2017 (BR) 302017003890
Sep. 8, 2017 (BR) 302017003891

The ornamental design for a packaging for implantable items, as shown and described.

(51) **LOC (12) Cl.** **09-03**

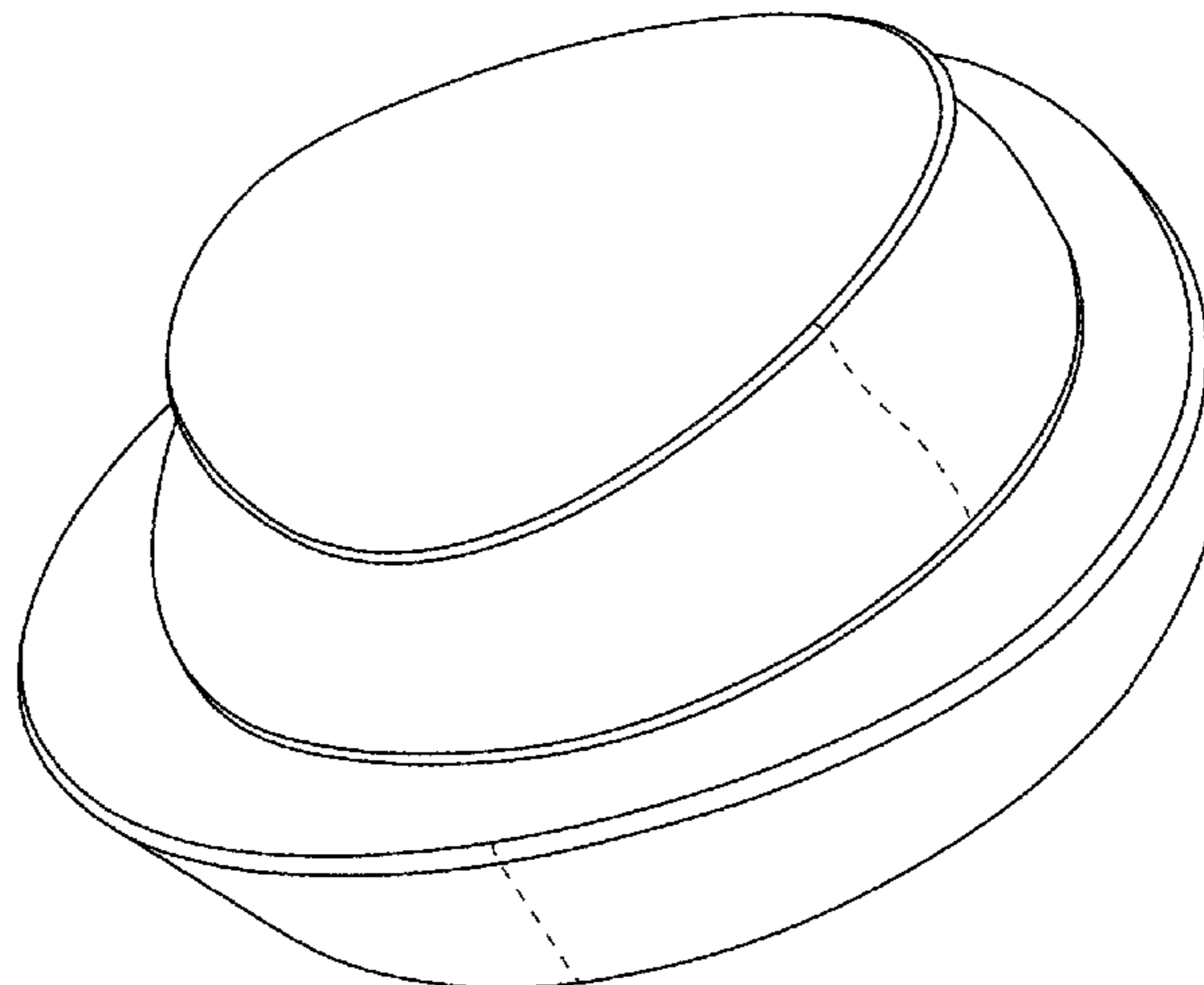
(52) **U.S. Cl.**
USPC **D9/414**

DESCRIPTION

(58) **Field of Classification Search**
USPC D9/414, 423, 428, 432, 444, 445, 454, D9/648, 692, 711, 737, 739, 759; D27/103, 111, 129, 138, 172, 186; D28/4, 5, 78, 82, 83; D3/203.1, 203.5, D3/212, 219; D24/216, 227, 229, 230
CPC B65D 5/00; B65D 5/6688; B65D 85/00; B65D 85/08; B65D 85/10; B65D 9/00; A61B 50/00; A61B 50/20; A61B 50/30; A61B 2050/005; A45C 2011/007; A45C 11/00; A45C 11/04; A45C 11/36
See application file for complete search history.

FIG. 1 is a perspective view showing the new design for the packaging for implantable items;
FIG. 2 is a top view thereof;
FIG. 3 is a bottom view thereof;
FIG. 4 is a front view thereof;
FIG. 5 is a back view thereof;
FIG. 6 is a left side view thereof; and,
FIG. 7 is a right side view thereof.

(Continued)



The broken lines are included for the purpose of illustrating portions of the packaging for implantable items that form no part of the claimed design.

1 Claim, 5 Drawing Sheets

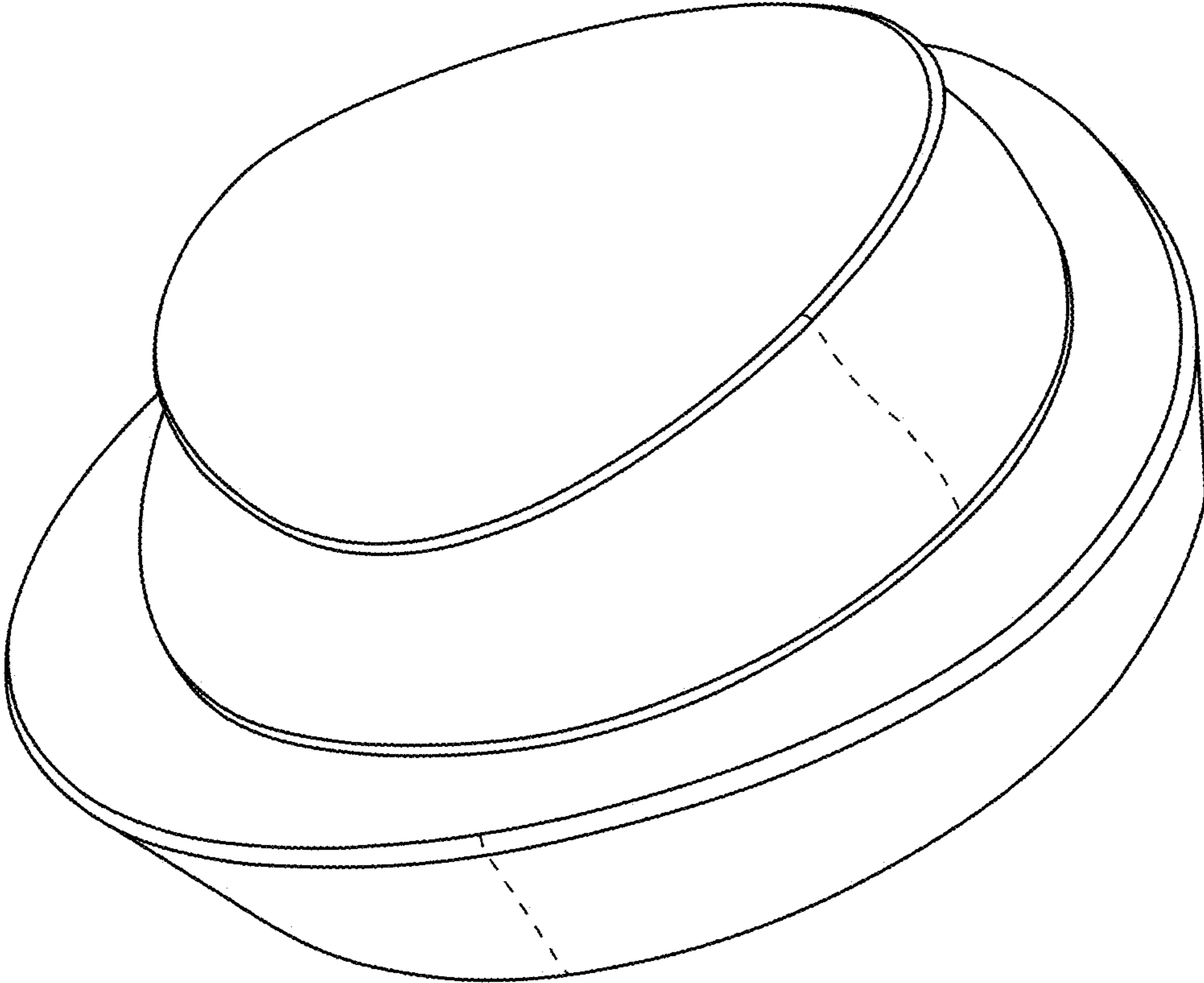


FIGURE 1

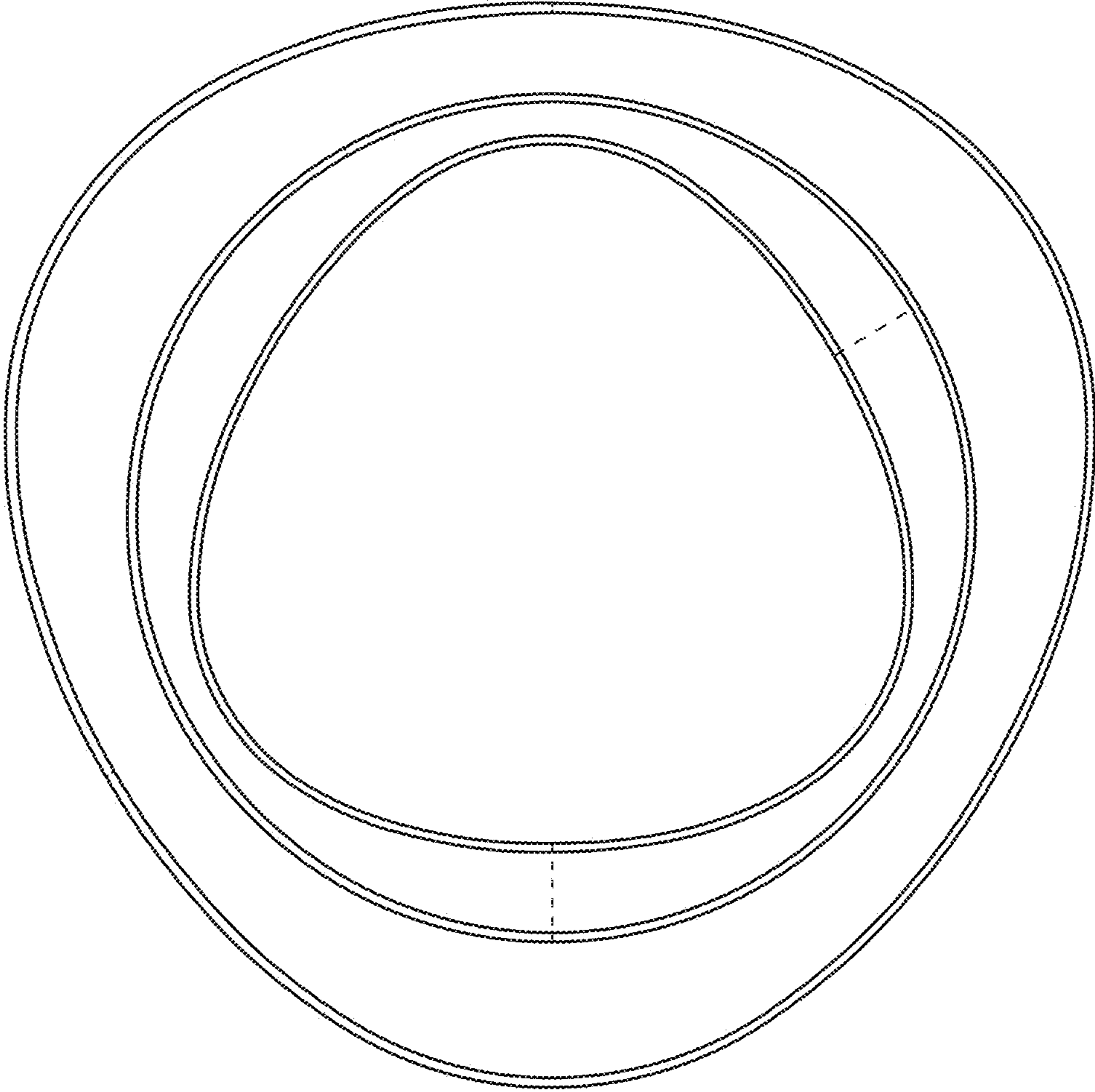


FIGURE 2

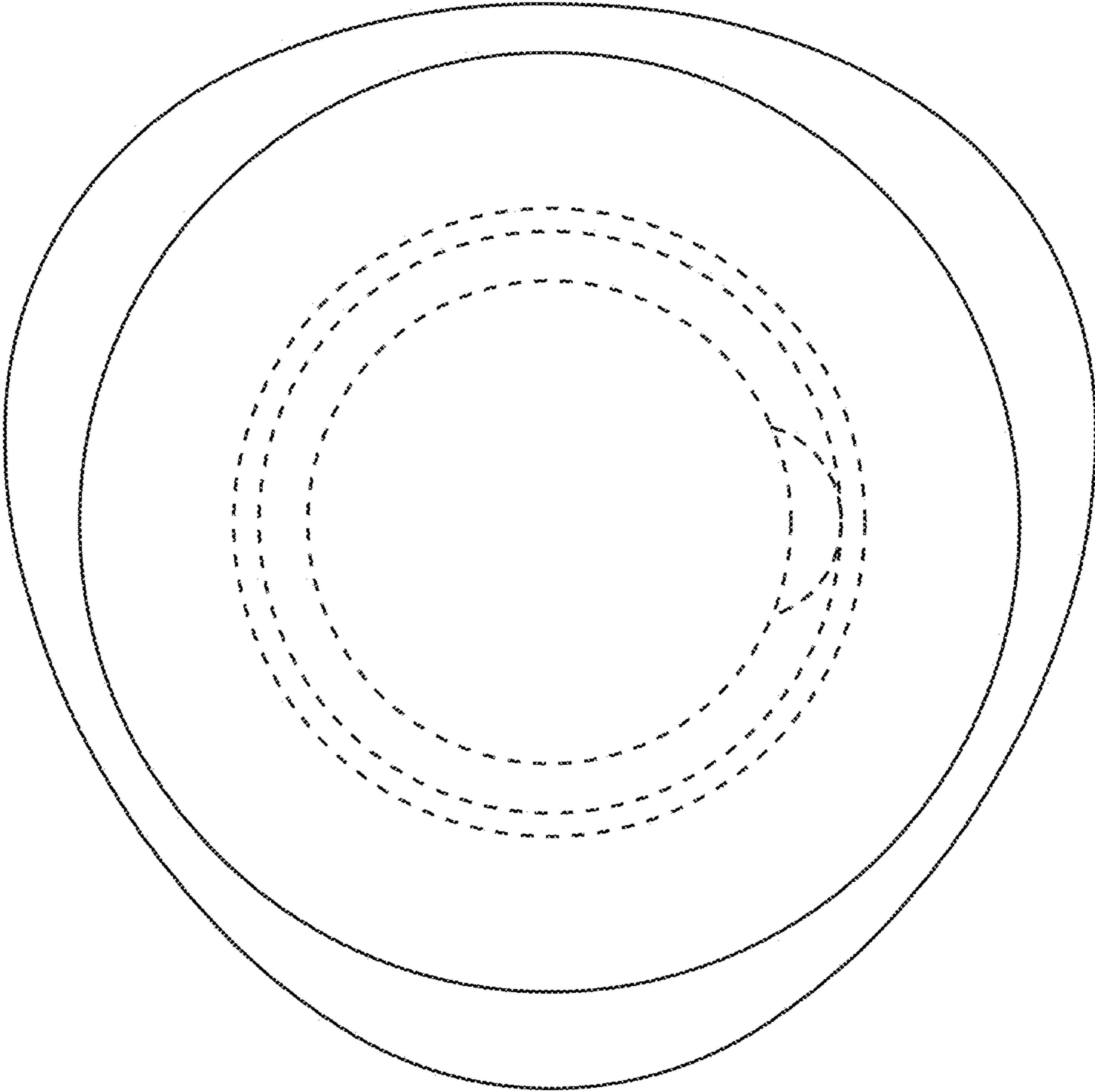


FIGURE 3

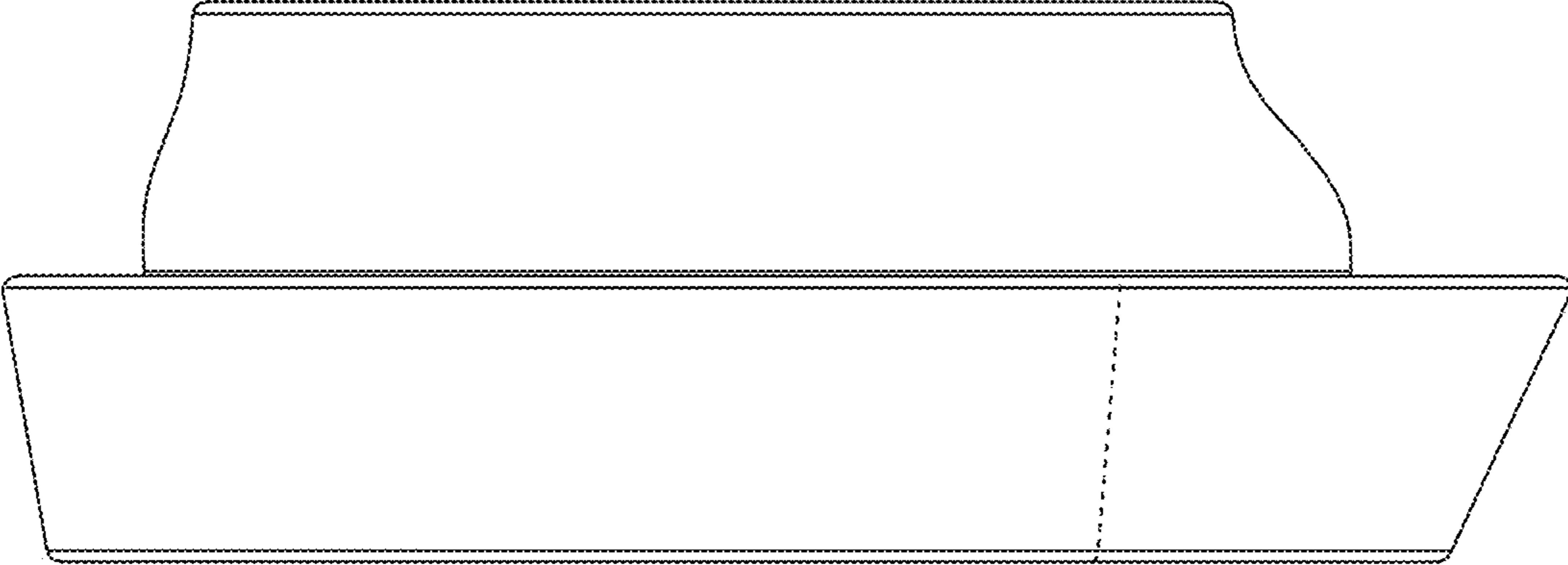


FIGURE 4

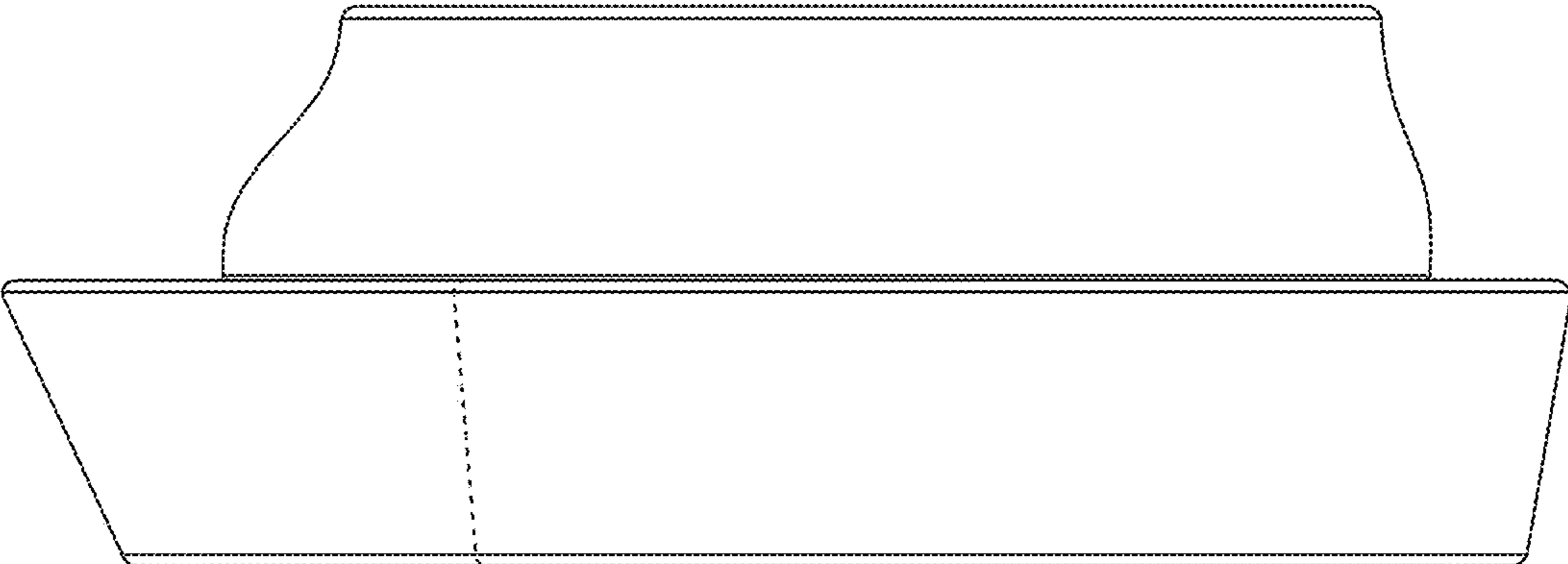


FIGURE 5

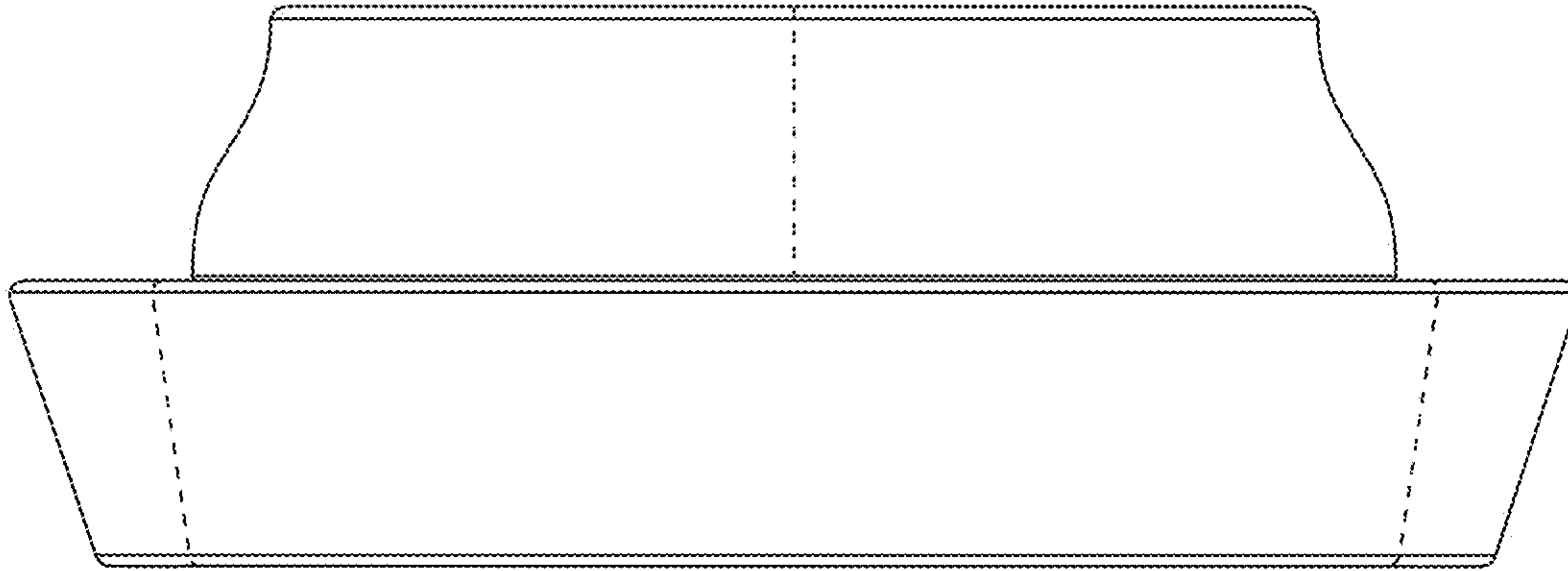


FIGURE 6

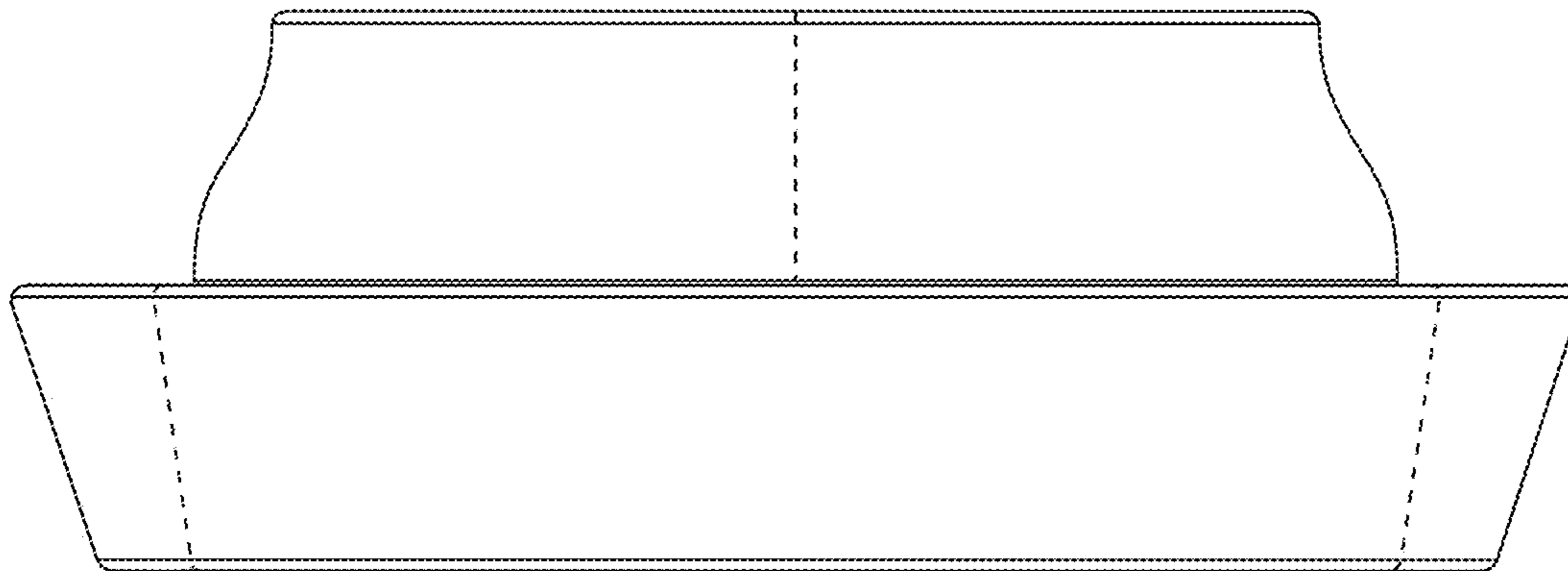


FIGURE 7