

US00D896062S

(12) **United States Design Patent**
Bertani

(10) **Patent No.:** **US D896,062 S**

(45) **Date of Patent:** **** Sep. 15, 2020**

- (54) **LOCKING DEVICE**
- (71) Applicant: **ELESA S.p.A.**, Milan (IT)
- (72) Inventor: **Alberto Bertani**, Monza (IT)
- (**) Term: **15 Years**
- (21) Appl. No.: **35/507,554**
- (22) Filed: **May 22, 2019**

(80) **Hague Agreement Data**

Int. Filing Date: **May 22, 2019**
 Int. Reg. No.: **DM/203428**
 Int. Reg. Date: **May 22, 2019**
 Int. Reg. Pub. Date: **Oct. 25, 2019**

- (51) **LOC (12) Cl.** **08-07**
- (52) **U.S. Cl.**
USPC **D8/338**
- (58) **Field of Classification Search**
USPC D8/301, 302, 306, 310, 313, 330, 331,
D8/338, 341
CPC . E05C 5/02; E05C 5/00; Y10T 292/57; Y10T
16/44; Y10T 70/5097; Y10T 70/5761
See application file for complete search history.

(56) **References Cited**

U.S. PATENT DOCUMENTS

D210,152 S *	2/1968	Pastva, Jr.	D8/341
D210,153 S *	2/1968	Pastva, Jr.	D8/341
D230,945 S *	3/1974	Beckman	D8/341
D322,743 S *	12/1991	Keller	D10/104.1
D324,636 S *	3/1992	Schlack	D8/306
D364,329 S *	11/1995	Ziemer	D8/331
D390,443 S *	2/1998	Zenner	D8/306
D429,141 S *	8/2000	Antonucci	D8/331
6,109,669 A *	8/2000	Pinkow	E05C 1/145 292/175
D439,500 S *	3/2001	Mirick	D8/306
D442,844 S *	5/2001	Mirick	D8/301

D452,808 S *	1/2002	Kyle	E05C 1/145 D8/331
D459,192 S *	6/2002	Weinerman	D8/331
D475,602 S *	6/2003	McCloskey	D8/331
D488,052 S *	4/2004	Hansen	D8/306
D489,959 S *	5/2004	Jackson	D8/331
D496,579 S *	9/2004	Pfeiffer	D8/331
D501,129 S *	1/2005	Hansen	D8/321
D506,120 S *	6/2005	Straka, Jr.	D8/331
D530,181 S *	10/2006	Straka, Jr.	D8/301
D531,484 S *	11/2006	Downing	D8/331
D532,282 S *	11/2006	Johansson	D8/339
D541,129 S *	4/2007	Helton	D8/301
D565,930 S *	4/2008	Peng	D8/331
D582,250 S *	12/2008	Johansson	D8/331
D585,724 S *	2/2009	Wu	D8/331
D587,558 S *	3/2009	Sarnowski	D8/301
D621,685 S *	8/2010	Sarnowski	D8/331
D631,727 S *	2/2011	Hontz	D8/331
D678,750 S *	3/2013	Tung	D8/331

(Continued)

OTHER PUBLICATIONS

Screenshot: CMS/SNAP locks with handle, technopolymer. Undated; one page. Found online Jun. 26, 2020 at <https://www.elesa.com/en/elesab2bstoreoc/catalogo-cat-166-sales/latches--1/Latches--Snaplocks--CMS#sortBy=0&facetvalue=> (Year: 2020).*

Primary Examiner — Robert M. Spear

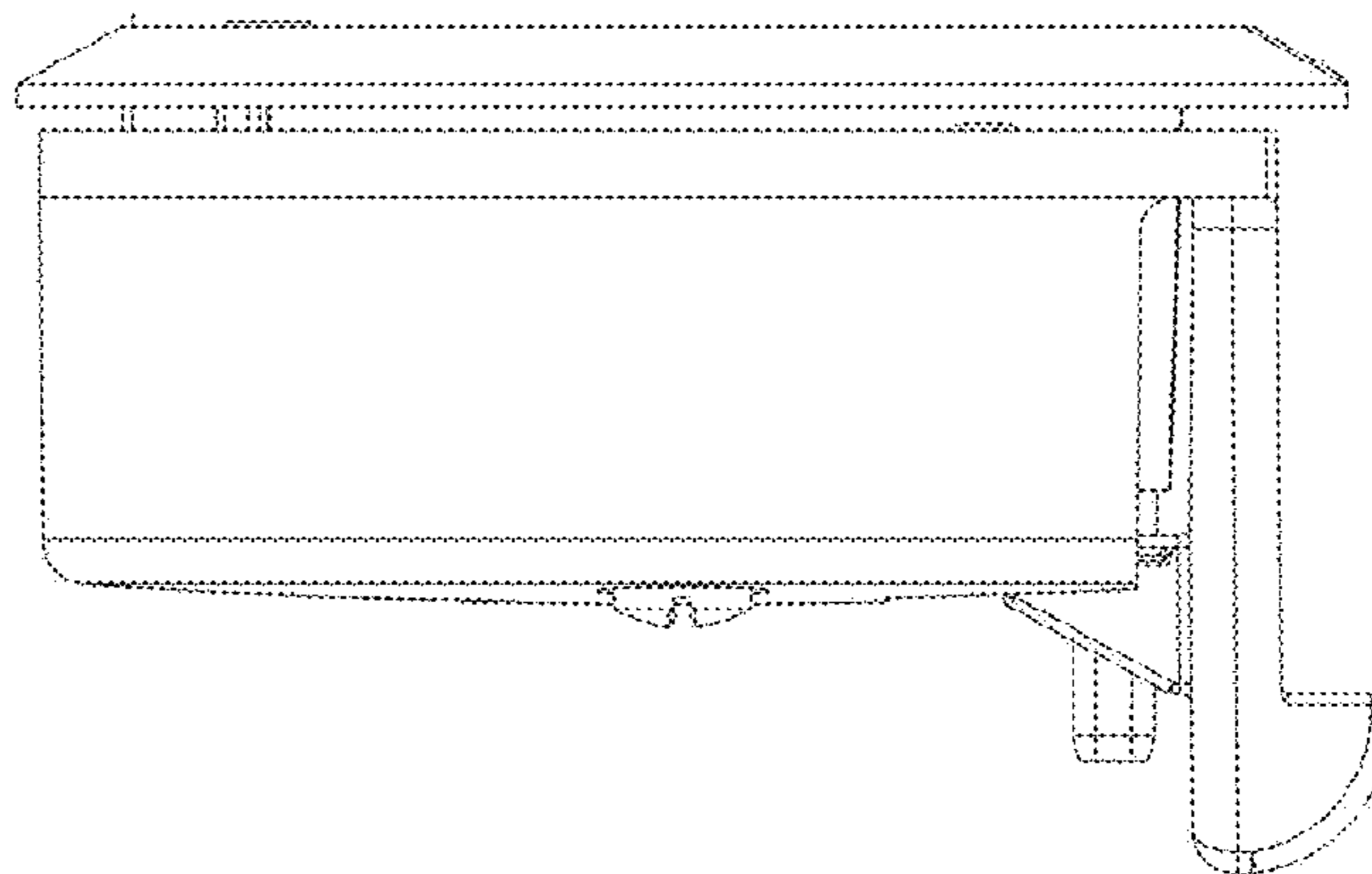
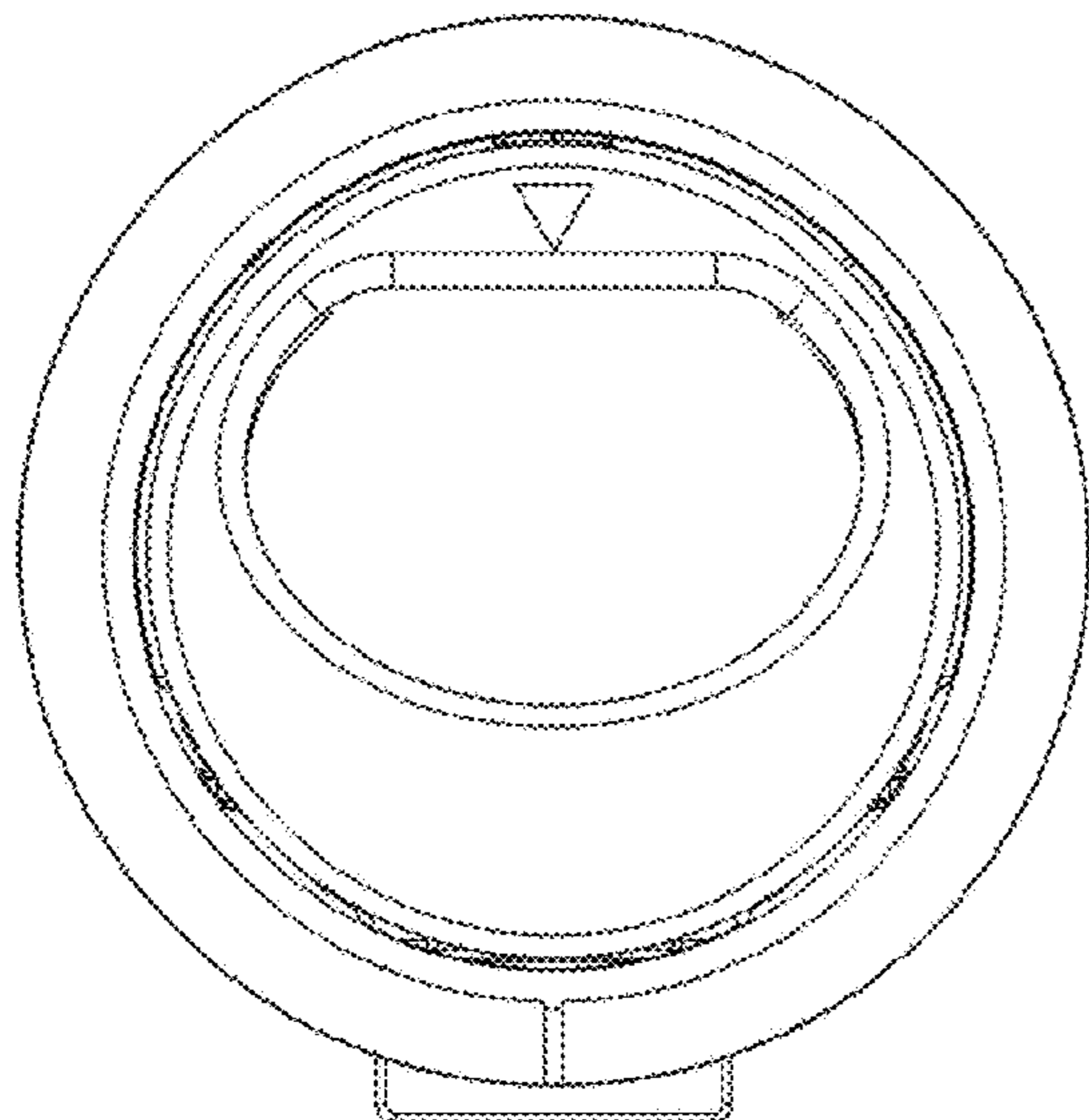
(57) **CLAIM**

The ornamental design for a locking device, as shown and described.

DESCRIPTION

- 1. Locking device
- 1.1 - Top plan view;
- 1.2 - Right side elevational view;
- 1.3 - Bottom plan view;
- 1.4 - Front elevational view;
- 1.5 - Left side elevational view; and
- 1.6 - Rear elevational view.

1 Claim, 6 Drawing Sheets



(56)

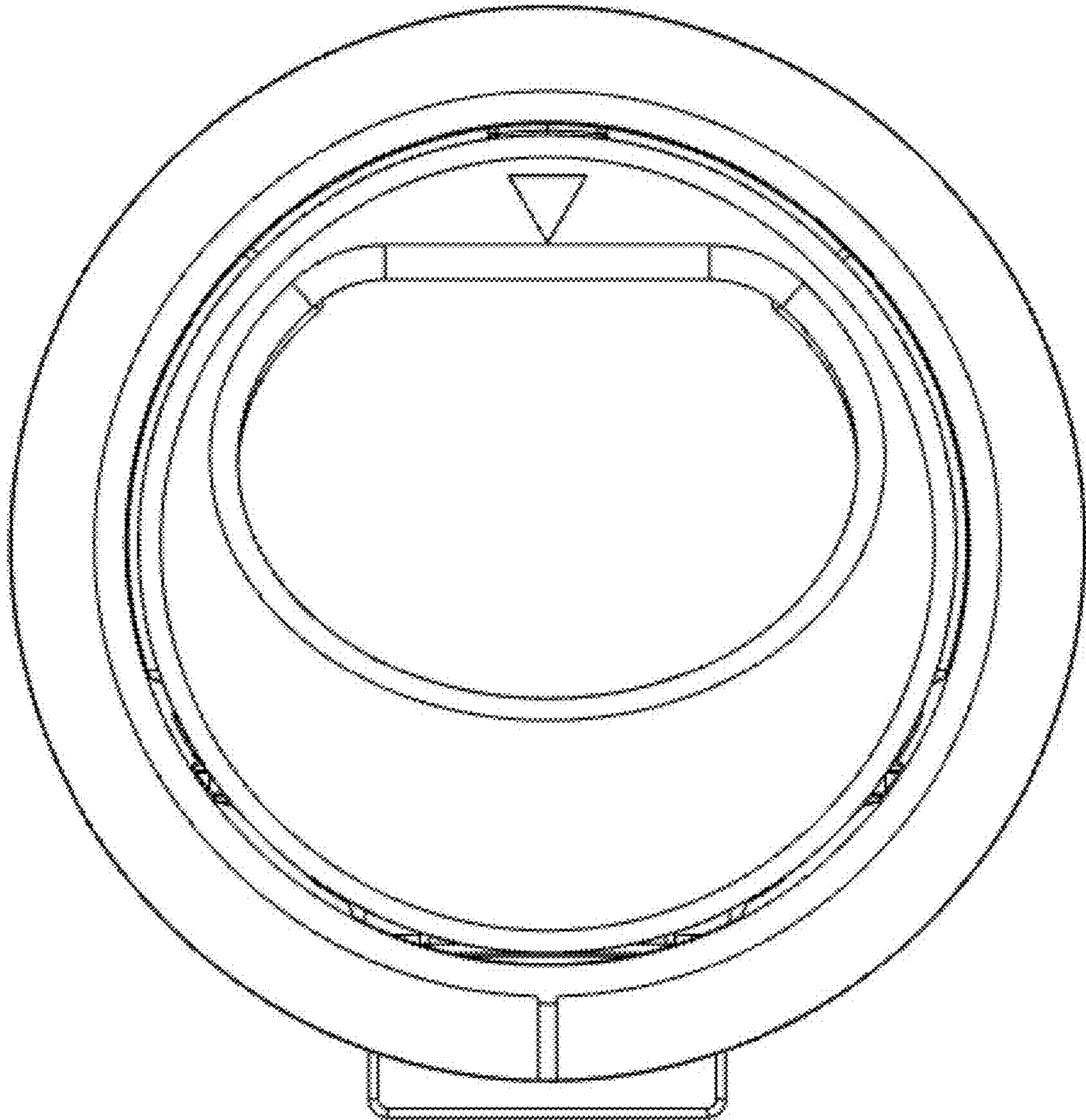
References Cited

U.S. PATENT DOCUMENTS

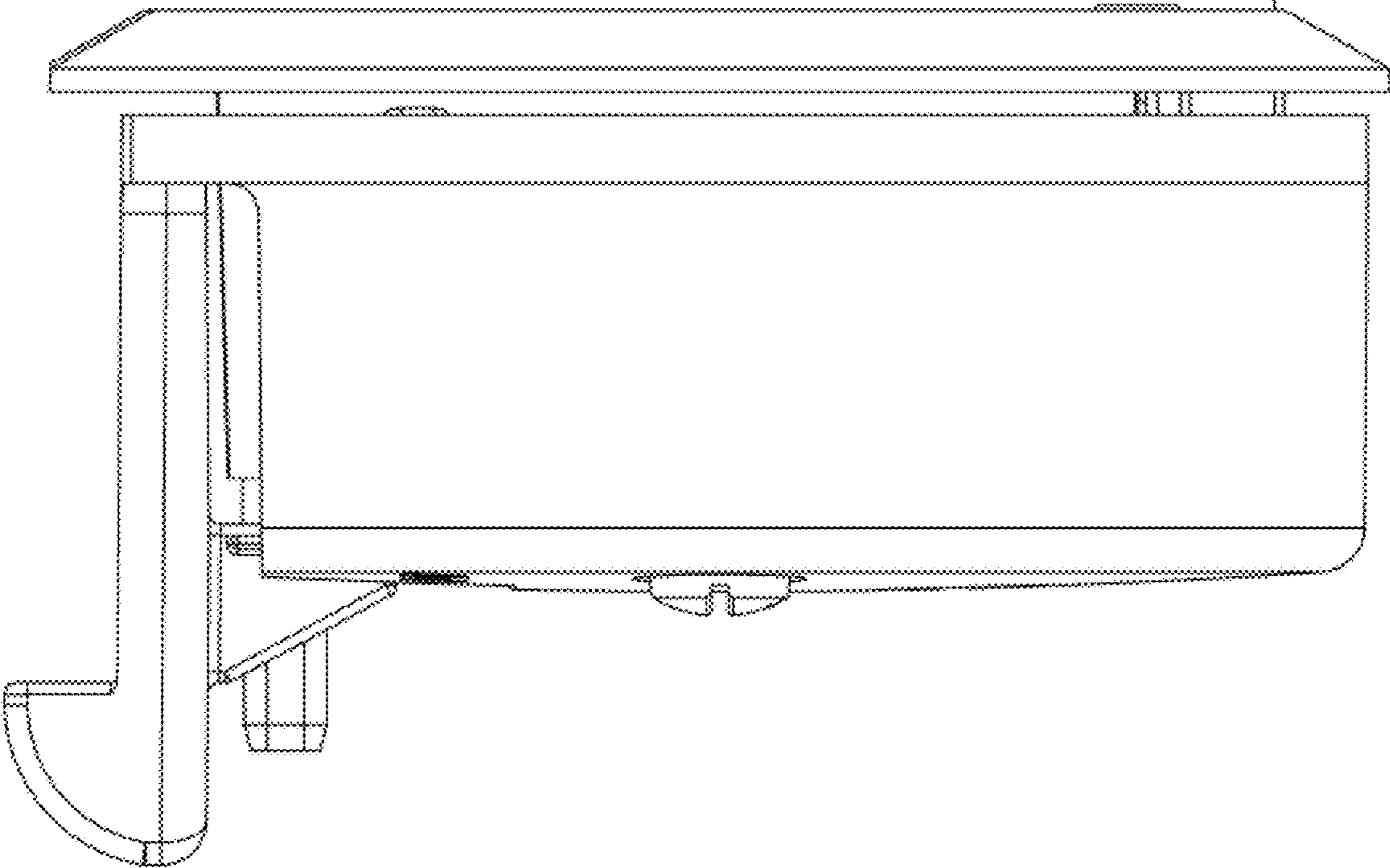
D761,635 S	*	7/2016	Bridgewater	D8/331
D782,277 S	*	3/2017	Bridgewater	D8/331
D782,899 S	*	4/2017	Bridgewater	D8/331
D789,771 S	*	6/2017	Tung	D8/331

* cited by examiner

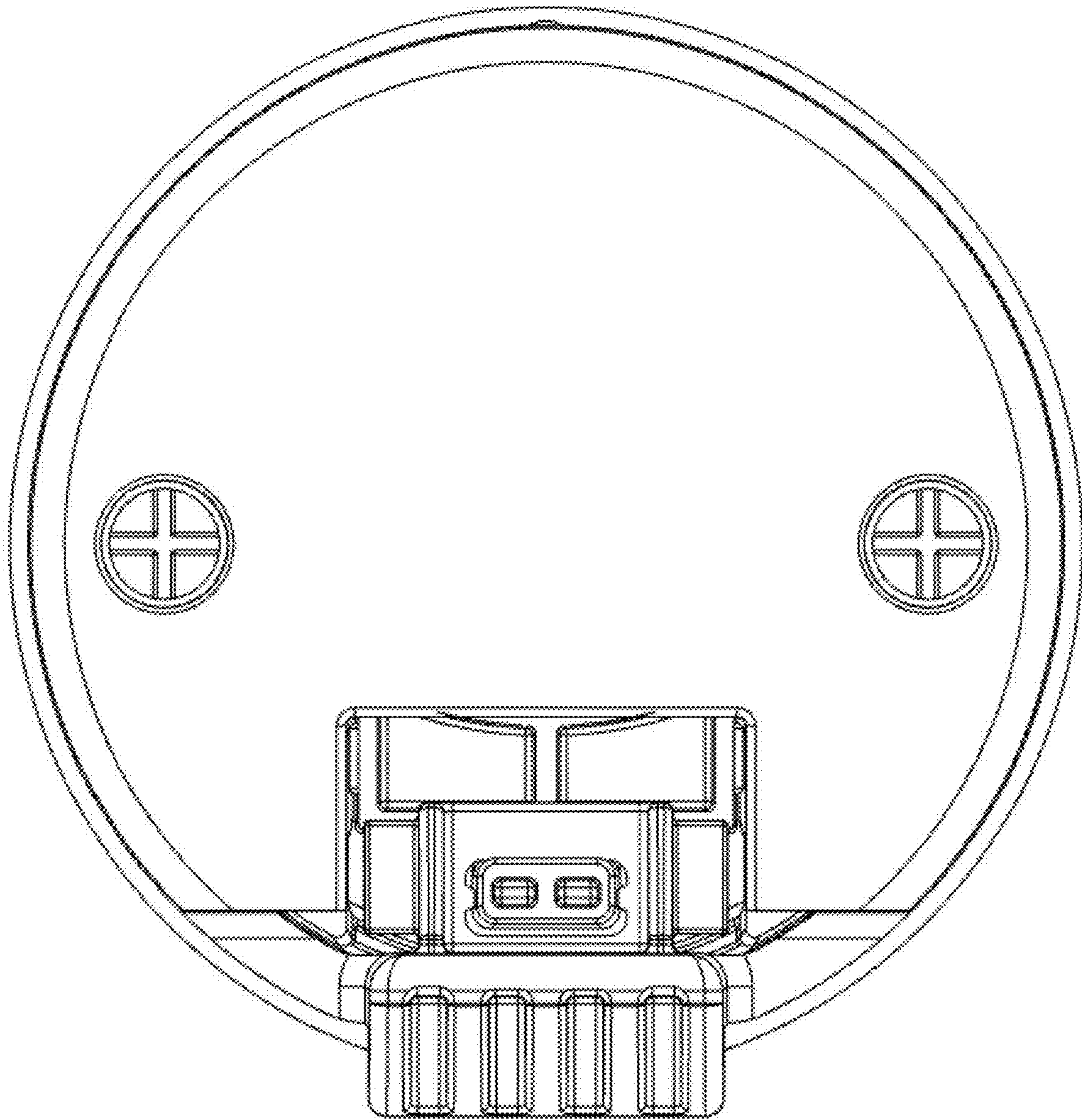
1.1



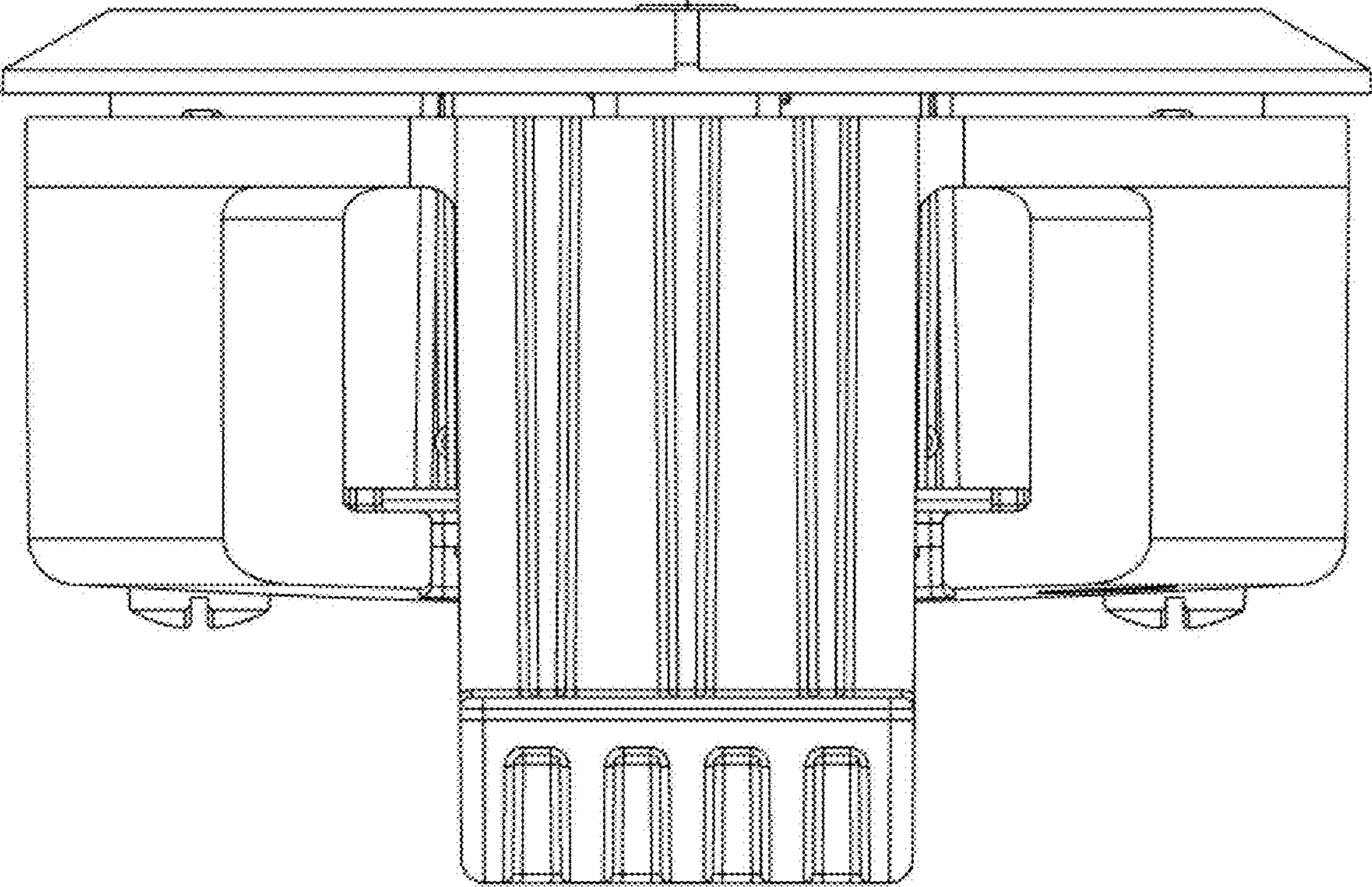
1.2



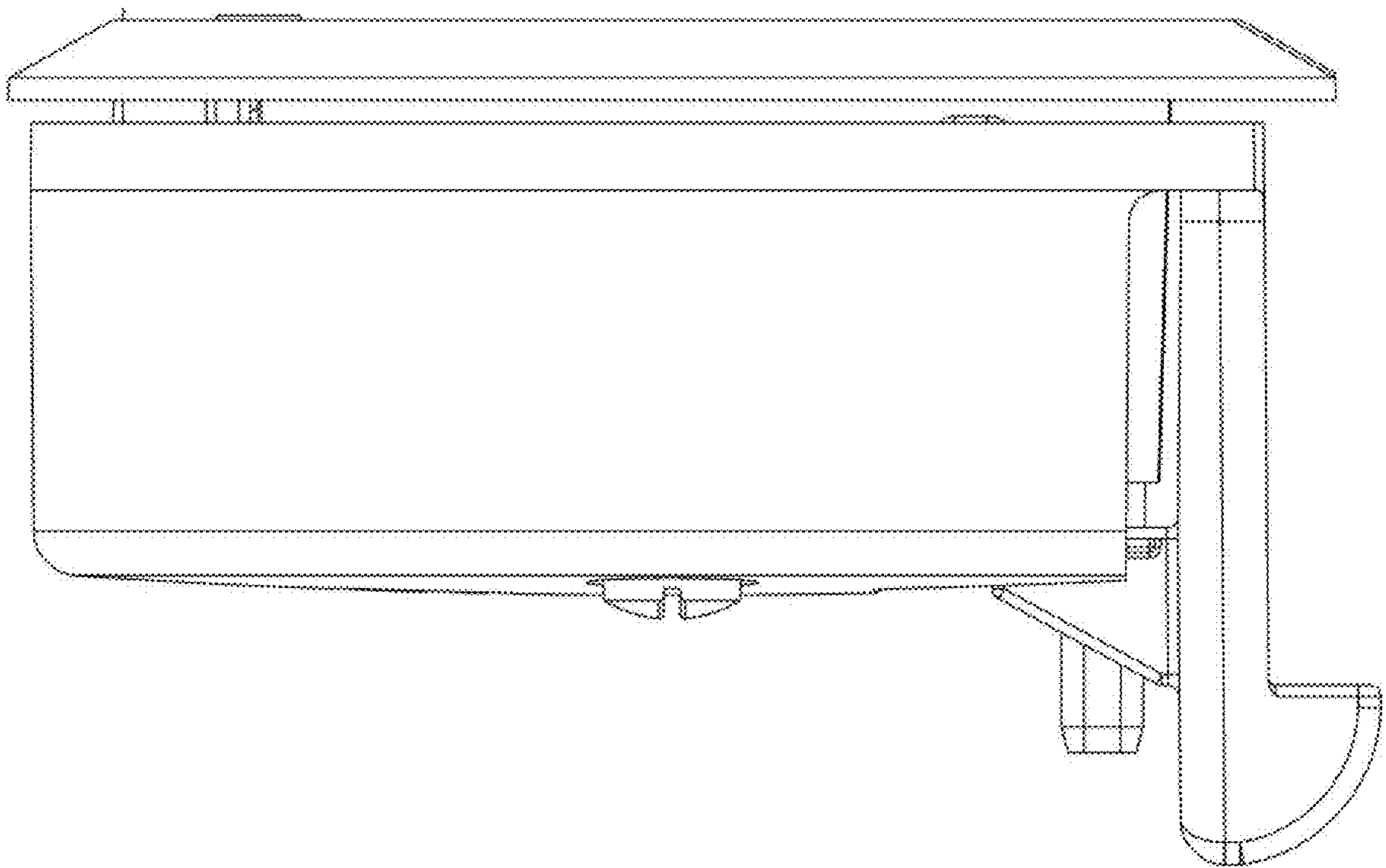
1.3



1.4



1.5



1.6

