



US00D896061S

(12) **United States Design Patent**  
**Deng**

(10) **Patent No.:** **US D896,061 S**

(45) **Date of Patent:** **\*\* Sep. 15, 2020**

(54) **CHILD PROTECTION LOCK**

(71) Applicant: **Ming Deng**, Fuzhou (CN)

(72) Inventor: **Ming Deng**, Fuzhou (CN)

(\*\*) Term: **15 Years**

(21) Appl. No.: **29/664,200**

(22) Filed: **Sep. 23, 2018**

(51) **LOC (12) Cl.** ..... **08-07**

(52) **U.S. Cl.**  
USPC ..... **D8/331**

(58) **Field of Classification Search**

USPC ..... D8/330, 331, 333

CPC .. E05B 19/04; E05B 65/0042; E05B 65/0046;

E05B 65/005; E05B 65/0053; E05B

65/00; E05B 65/44; A47F 3/002

See application file for complete search history.

(56) **References Cited**

U.S. PATENT DOCUMENTS

D621,686 S \* 8/2010 Lundh ..... D8/331

D690,579 S \* 10/2013 Biter ..... D8/331

9,062,487 B2 \* 6/2015 Perry ..... E05F 11/24

9,593,509 B2 \* 3/2017 Murray ..... E05B 65/46

10,066,428 B2 \* 9/2018 Wheelwright ..... E05C 19/184

\* cited by examiner

*Primary Examiner* — Doris Clark

(74) *Attorney, Agent, or Firm* — Erson IP (Nelson IP)

(57) **CLAIM**

The ornamental design, for a child protection lock, as shown and described.

**DESCRIPTION**

FIG. 1 is a perspective view of a child protection lock showing my new design;

FIG. 2 is a front view thereof;

FIG. 3 is a rear view thereof;

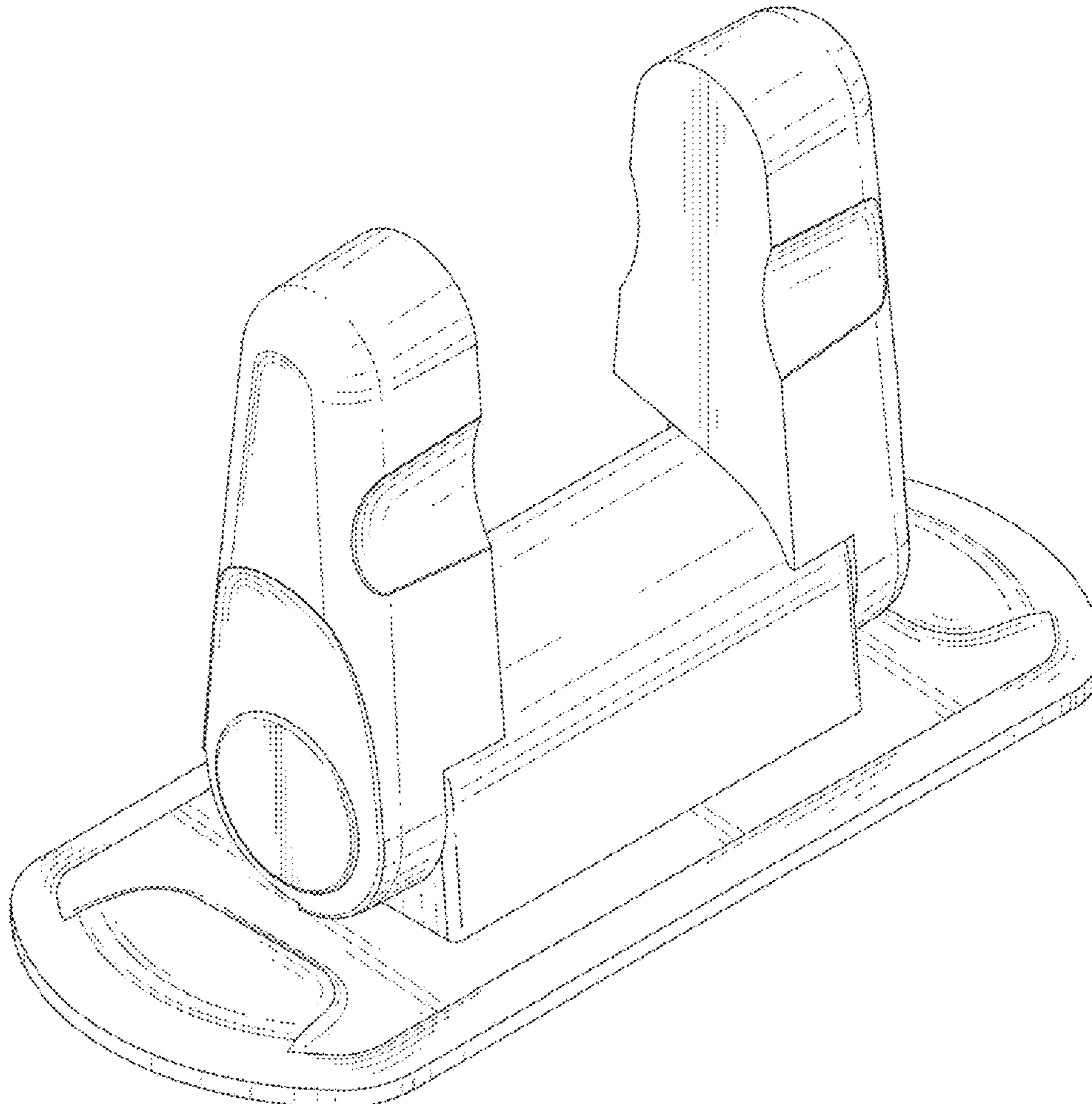
FIG. 4 is a left side view thereof;

FIG. 5 is a right side view thereof;

FIG. 6 is a top plan view thereof; and,

FIG. 7 is a bottom plan view thereof.

**1 Claim, 7 Drawing Sheets**



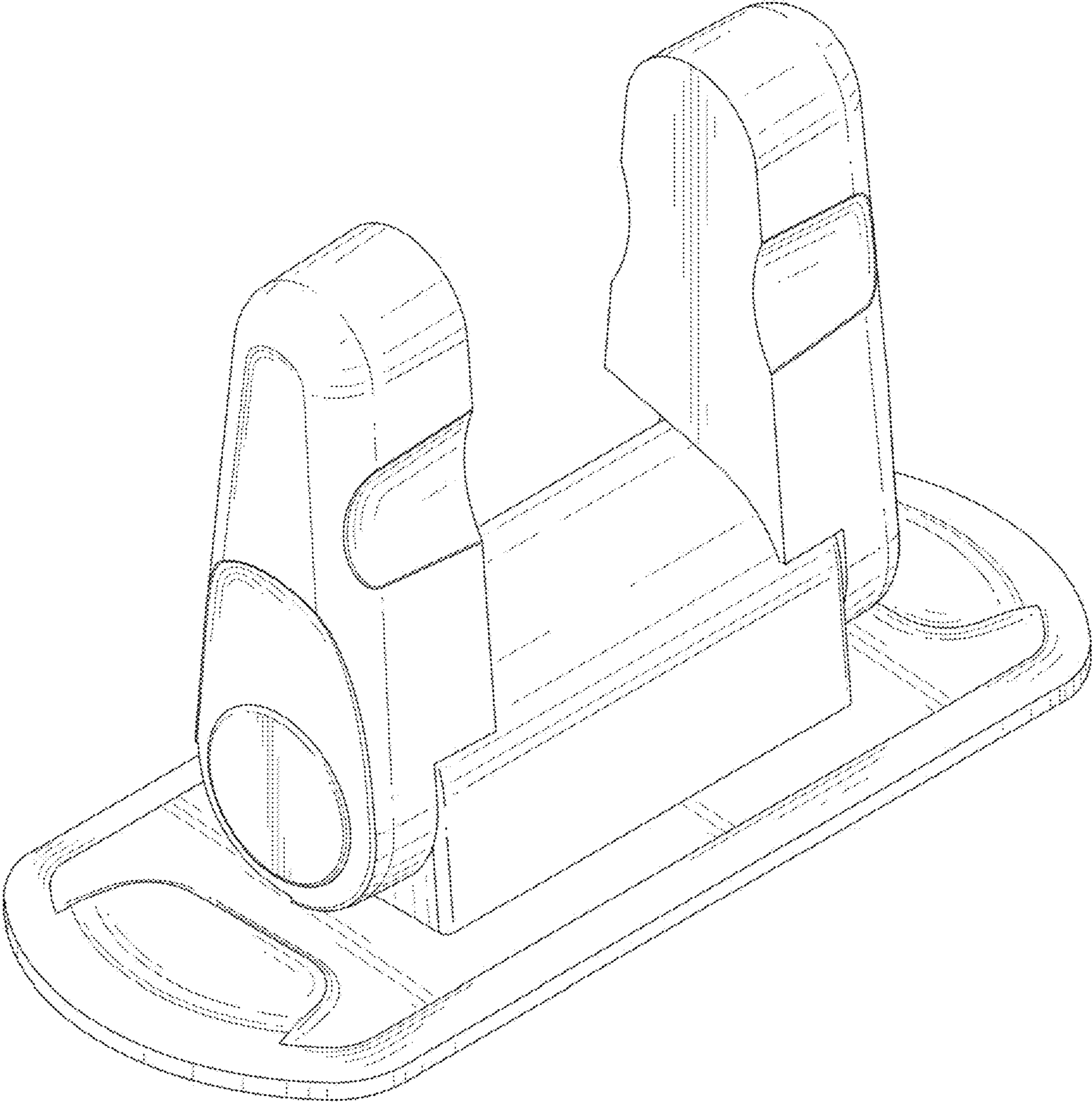


Fig. 1

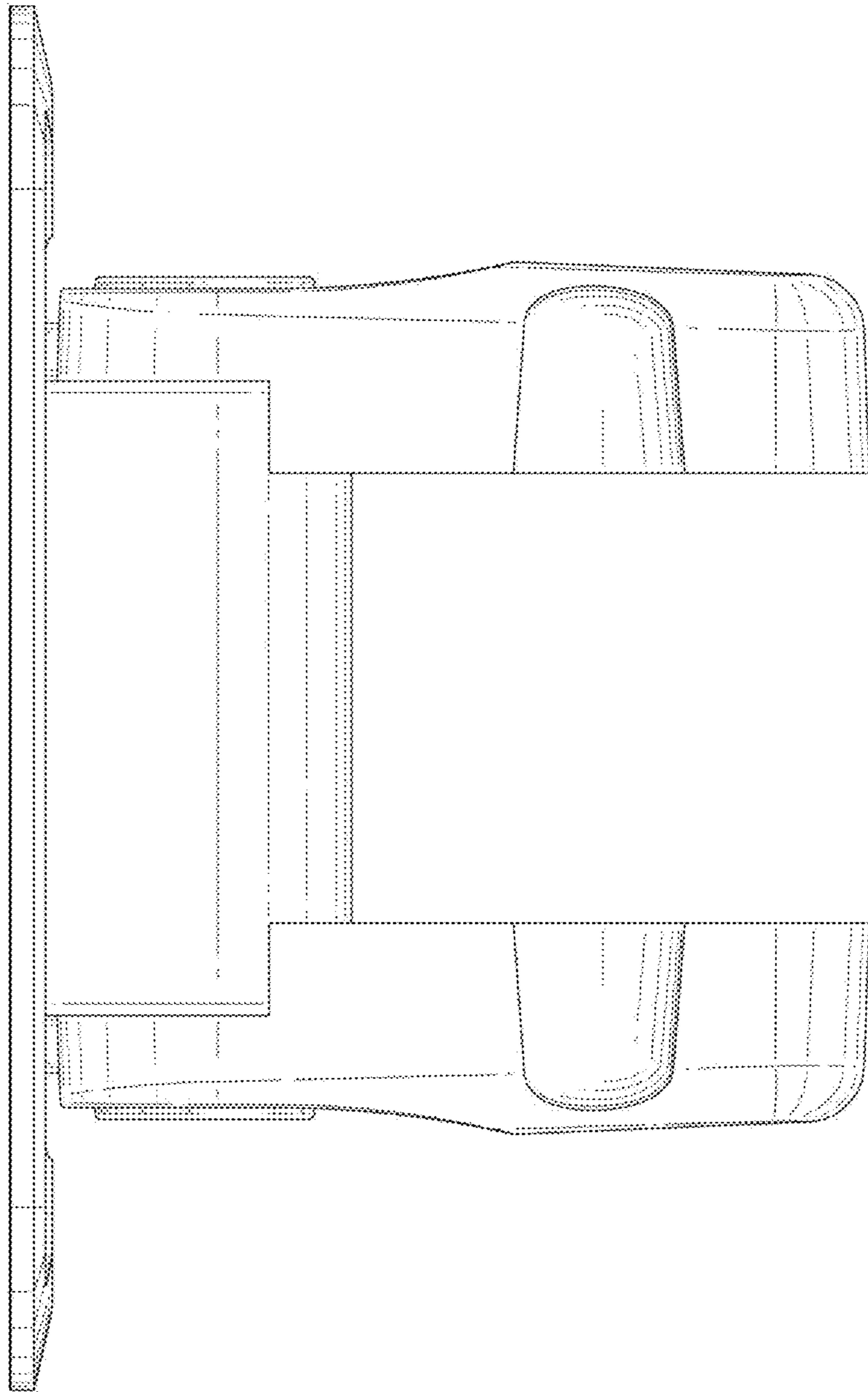


Fig. 2

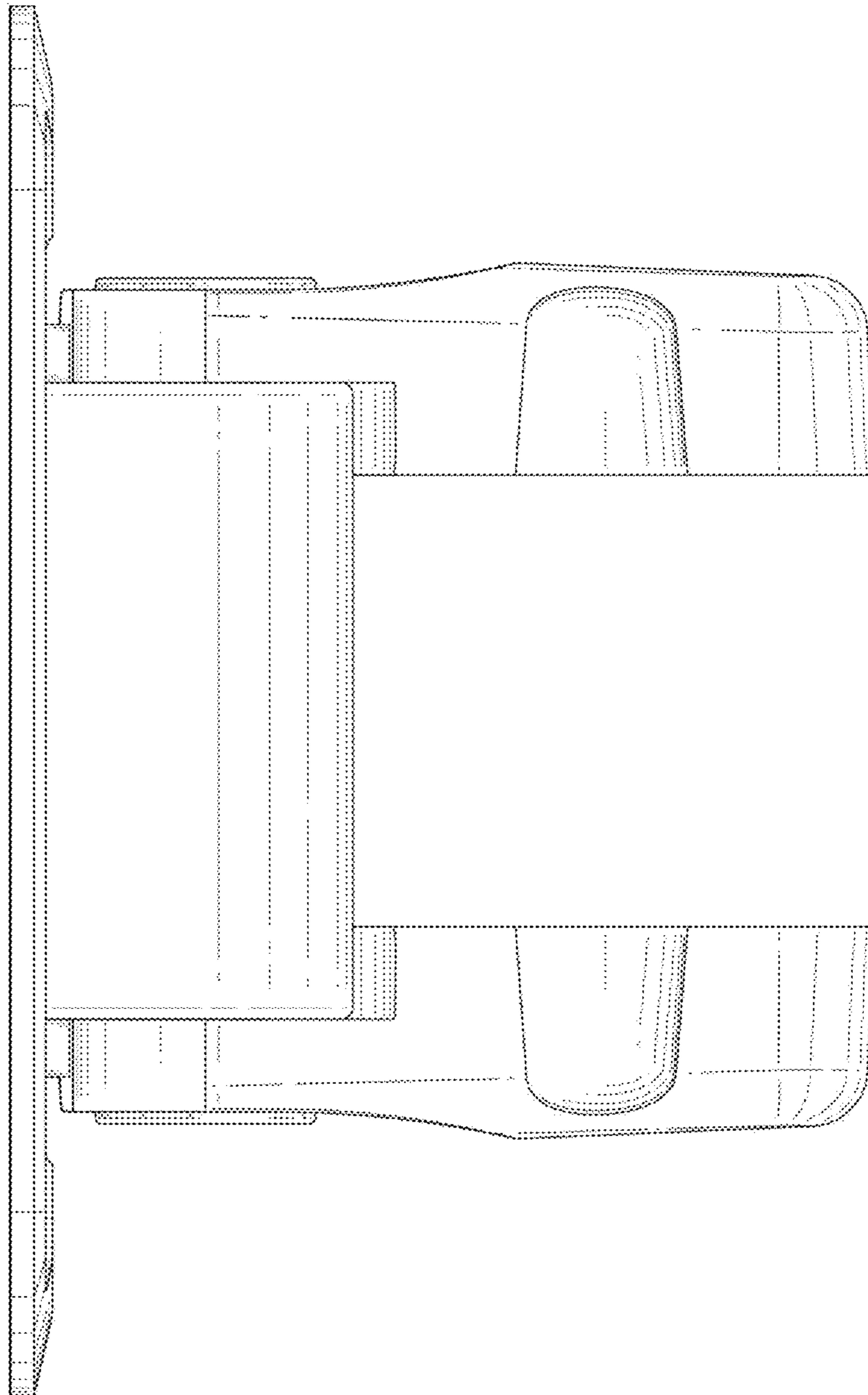


Fig. 3

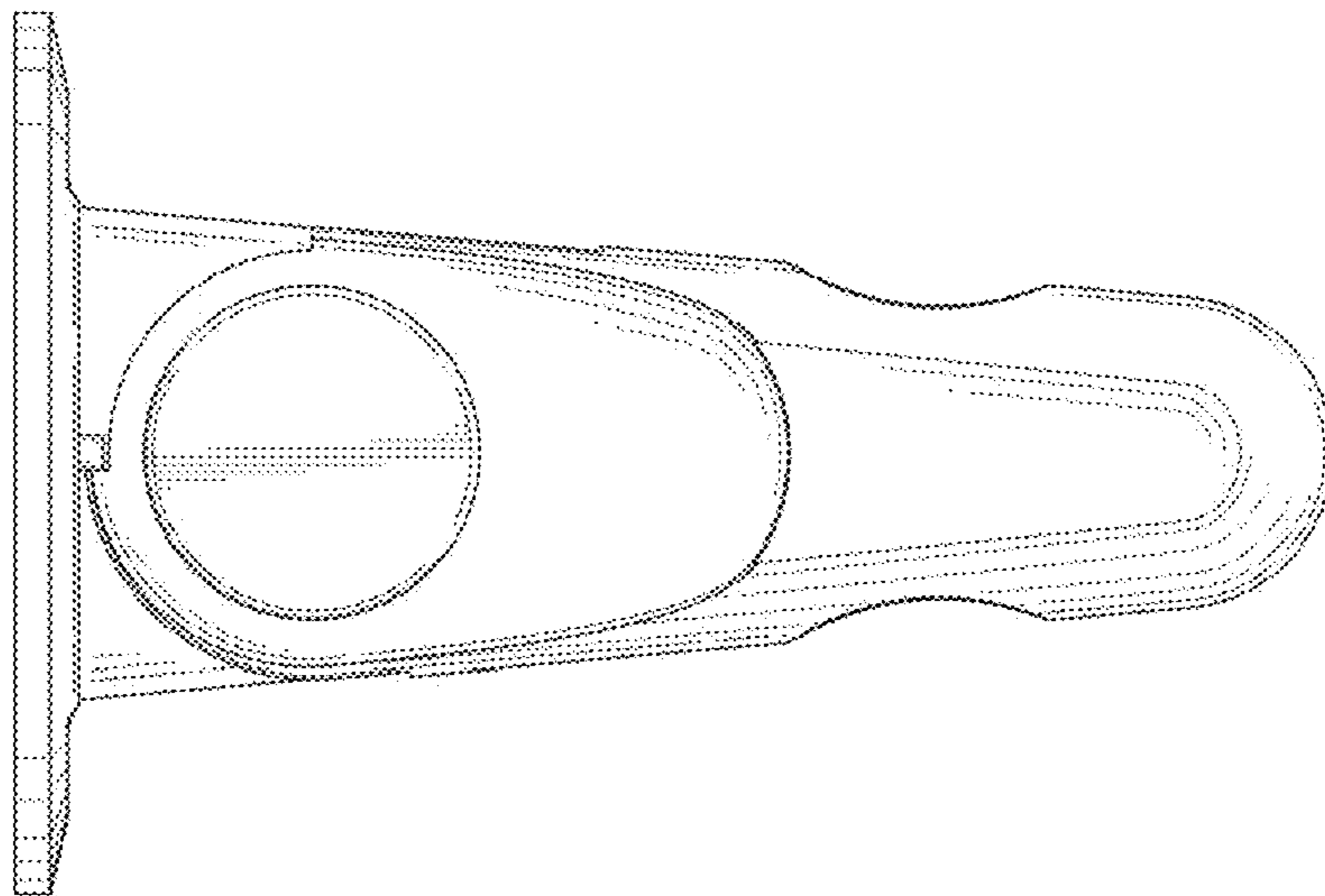


Fig. 4

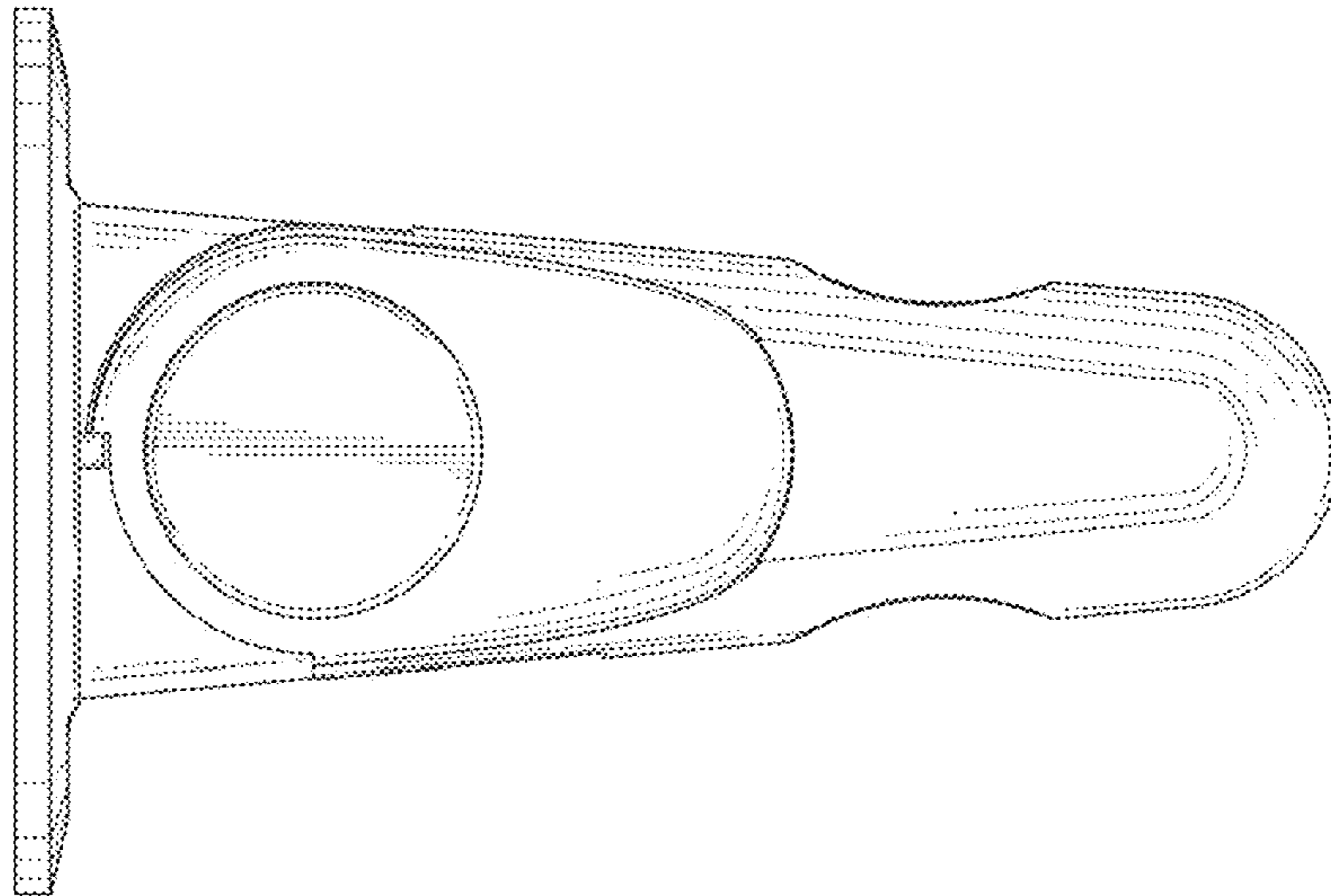


Fig. 5

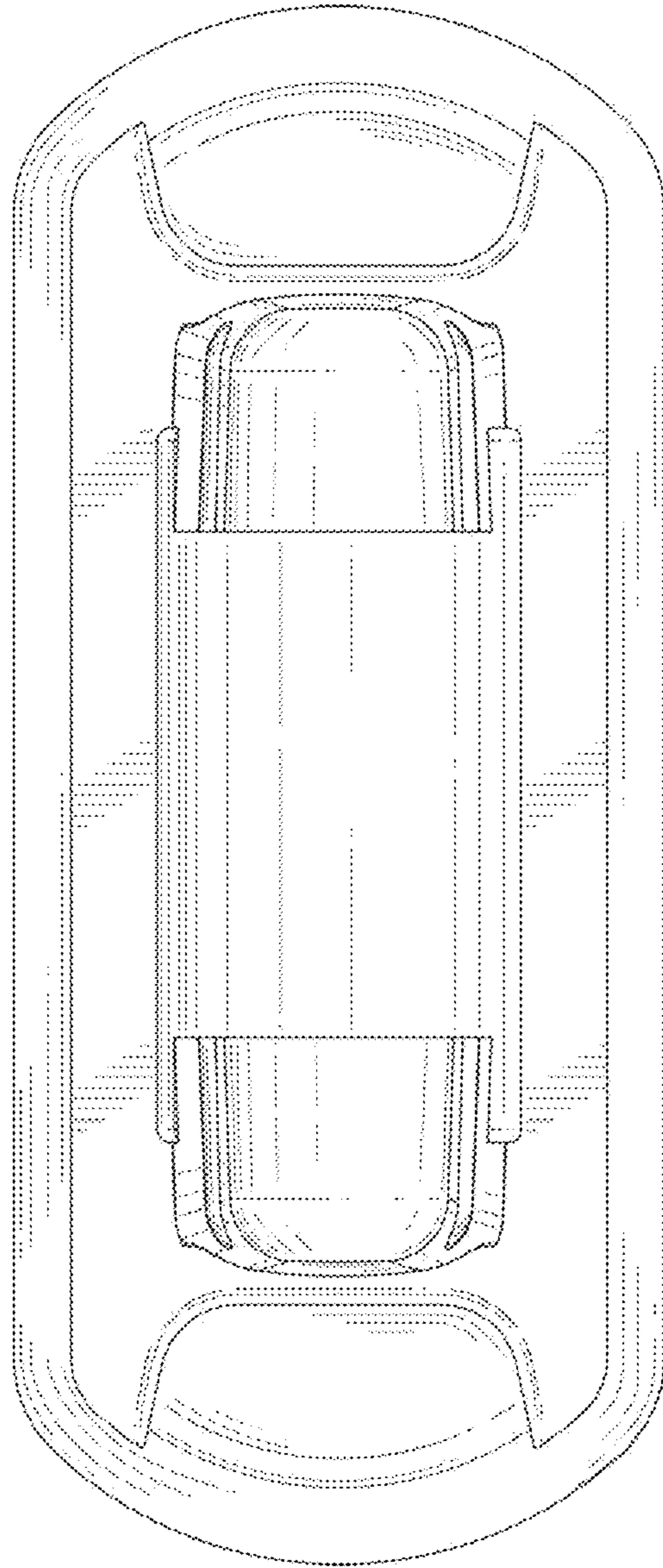


Fig. 6

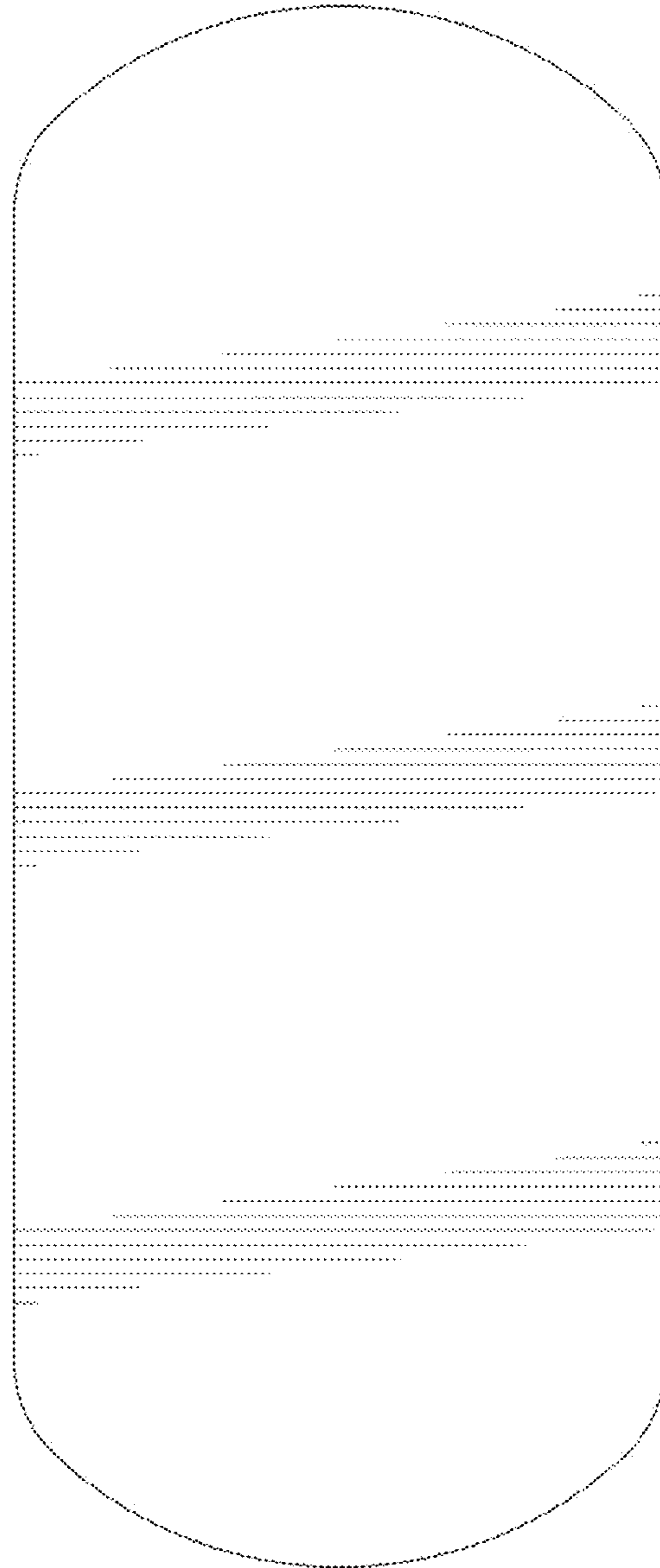


Fig. 7