

US00D896060S

(12) **United States Design Patent** (10) **Patent No.:** **US D896,060 S**
Liu (45) **Date of Patent:** **** Sep. 15, 2020**

(54) **STRAP FASTENER**
(71) Applicant: **Maoqin Liu**, Shenzhen (CN)
(72) Inventor: **Maoqin Liu**, Shenzhen (CN)
(**) Term: **15 Years**
(21) Appl. No.: **29/728,653**
(22) Filed: **Mar. 20, 2020**
(51) **LOC (12) Cl.** **08-07**
(52) **U.S. Cl.**
USPC **D8/330**
(58) **Field of Classification Search**
USPC D8/14, 333, 330, 349, 354, 382; D34/10,
D34/11
CPC G09F 3/0352; B65D 90/008; B65D 63/00;
F16G 11/02
See application file for complete search history.

D804,270 S * 12/2017 Huang D8/71
D835,971 S * 12/2018 Moreau D8/333
D868,564 S * 12/2019 Moreau D8/333
2011/0056057 A1* 3/2011 Lin F16G 11/12
24/68 D

* cited by examiner

Primary Examiner — Philip S Hyder

(57) **CLAIM**

The ornamental design for a strap fastener, as shown and described.

DESCRIPTION

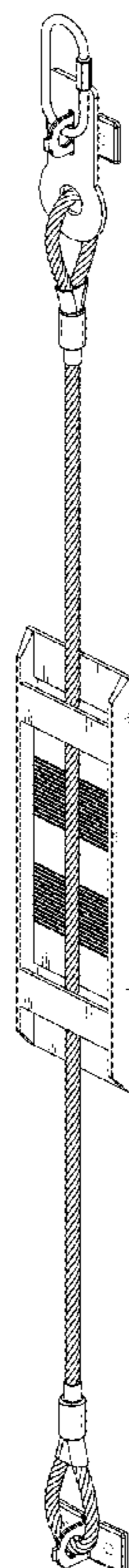
FIG. 1 is a perspective view of a strap fastener showing my new design;
FIG. 2 is a front elevational view thereof;
FIG. 3 is a rear elevational view thereof;
FIG. 4 is a left side elevational view thereof;
FIG. 5 is a right side elevational view thereof;
FIG. 6 is a top plan view thereof;
FIG. 7 is a bottom plan view thereof;
FIG. 8 is an enlarged view of the detail shown in FIG. 6;
FIG. 9 is an enlarged view of the detail shown in FIG. 7; and,
FIG. 10 is a perspective view of the strap fastener where the strap fastener is in a configuration of use.
The broken lines in the drawings depict a trash can and another strap fastener shown in FIG. 10 represent environment subject matter only and form no part of the claimed design.

(56) **References Cited**

U.S. PATENT DOCUMENTS

D267,470 S * 1/1983 Scherbing D8/333
D370,401 S * 6/1996 Minkin D8/333
D375,891 S 11/1996 Bailey et al.
6,003,348 A * 12/1999 McCrea E05B 73/0005
70/18
D521,356 S * 5/2006 Littrell D8/330
D738,703 S * 9/2015 Thomson D8/333
D786,046 S * 5/2017 Mack D8/330
D795,042 S * 8/2017 Burns D8/333

1 Claim, 9 Drawing Sheets



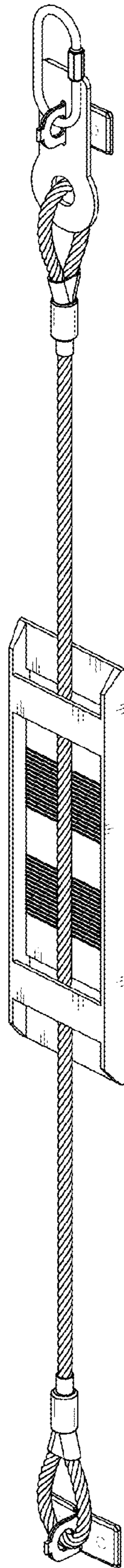


FIG. 1

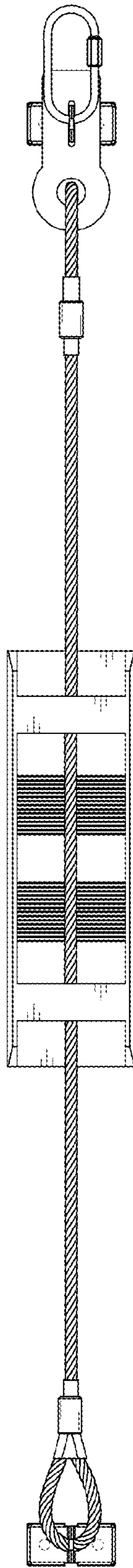


FIG. 2

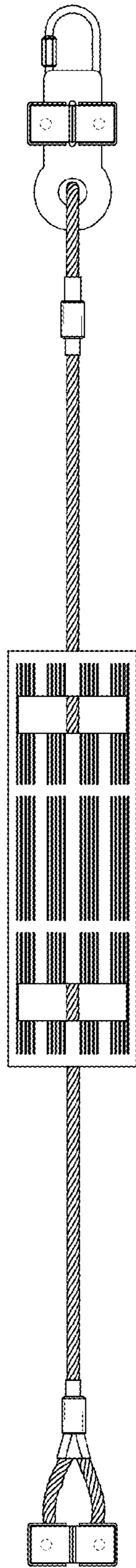


FIG. 3

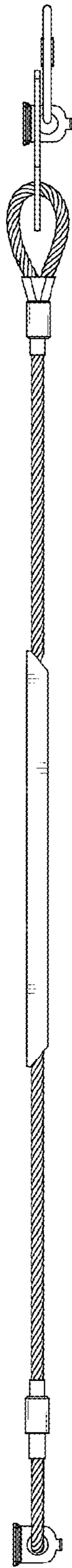


FIG. 4

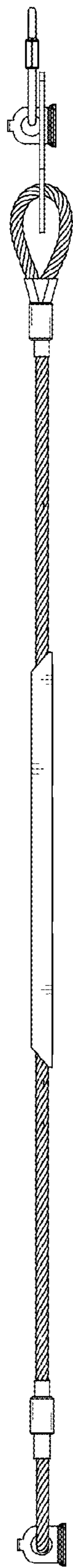


FIG. 5

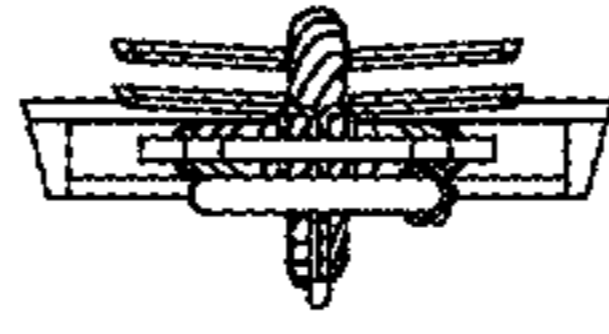


FIG. 6

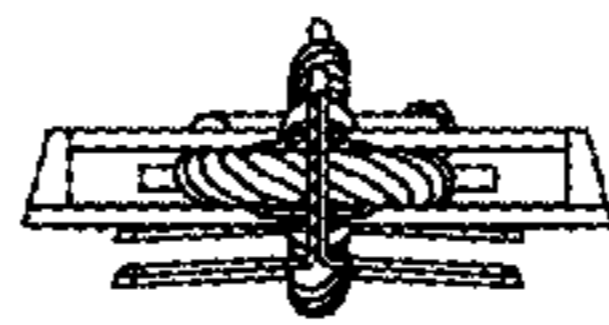


FIG. 7

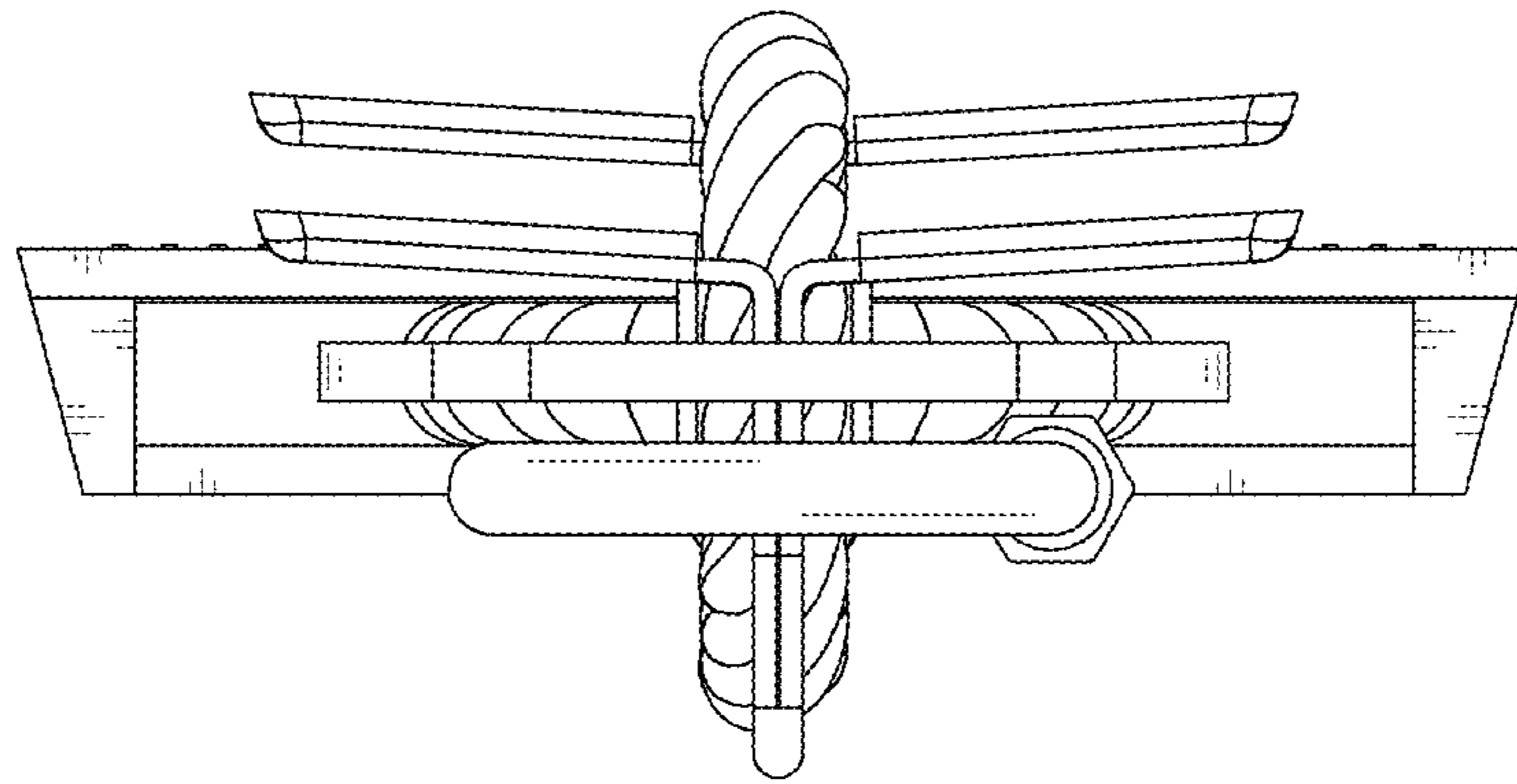


FIG. 8

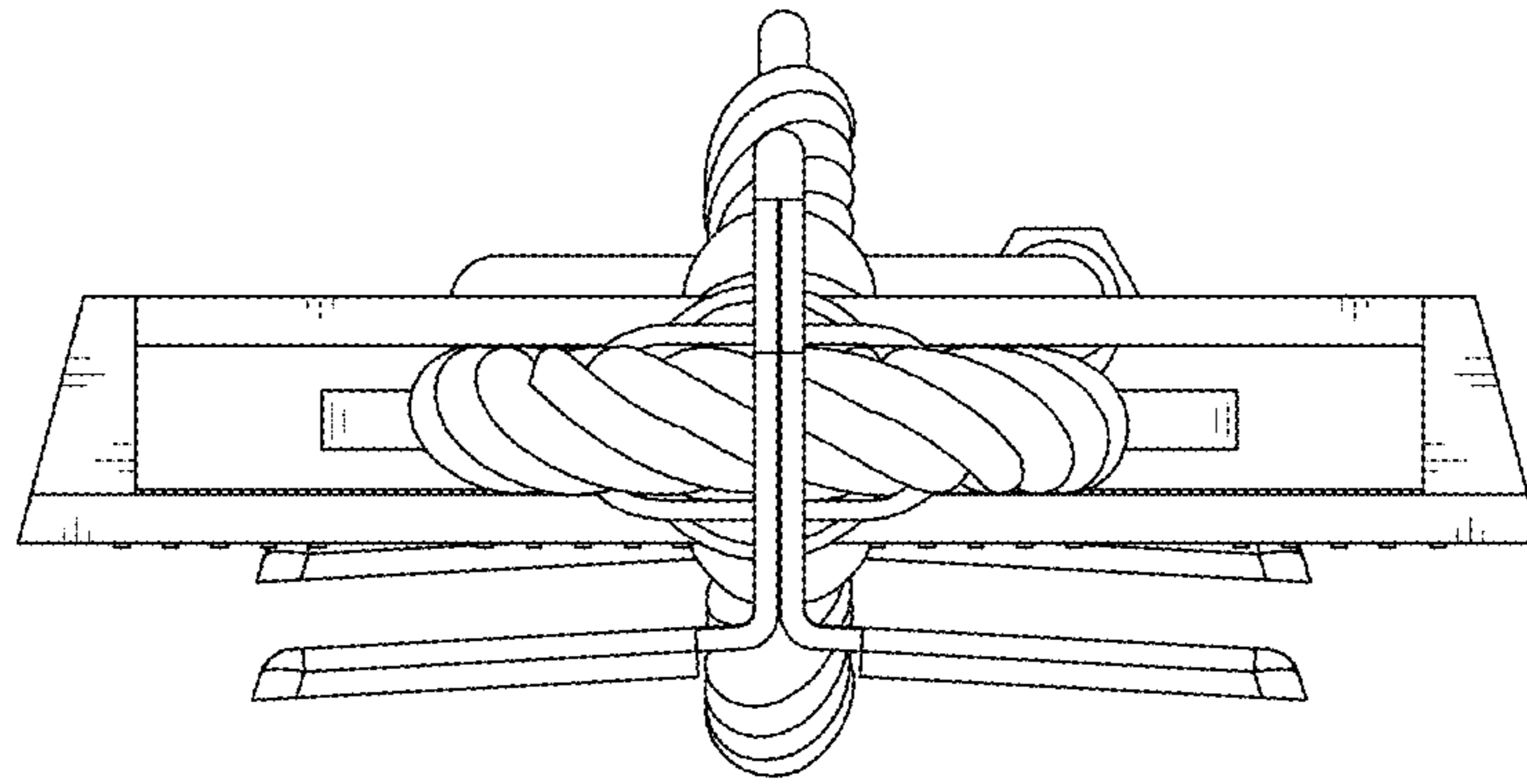


FIG. 9

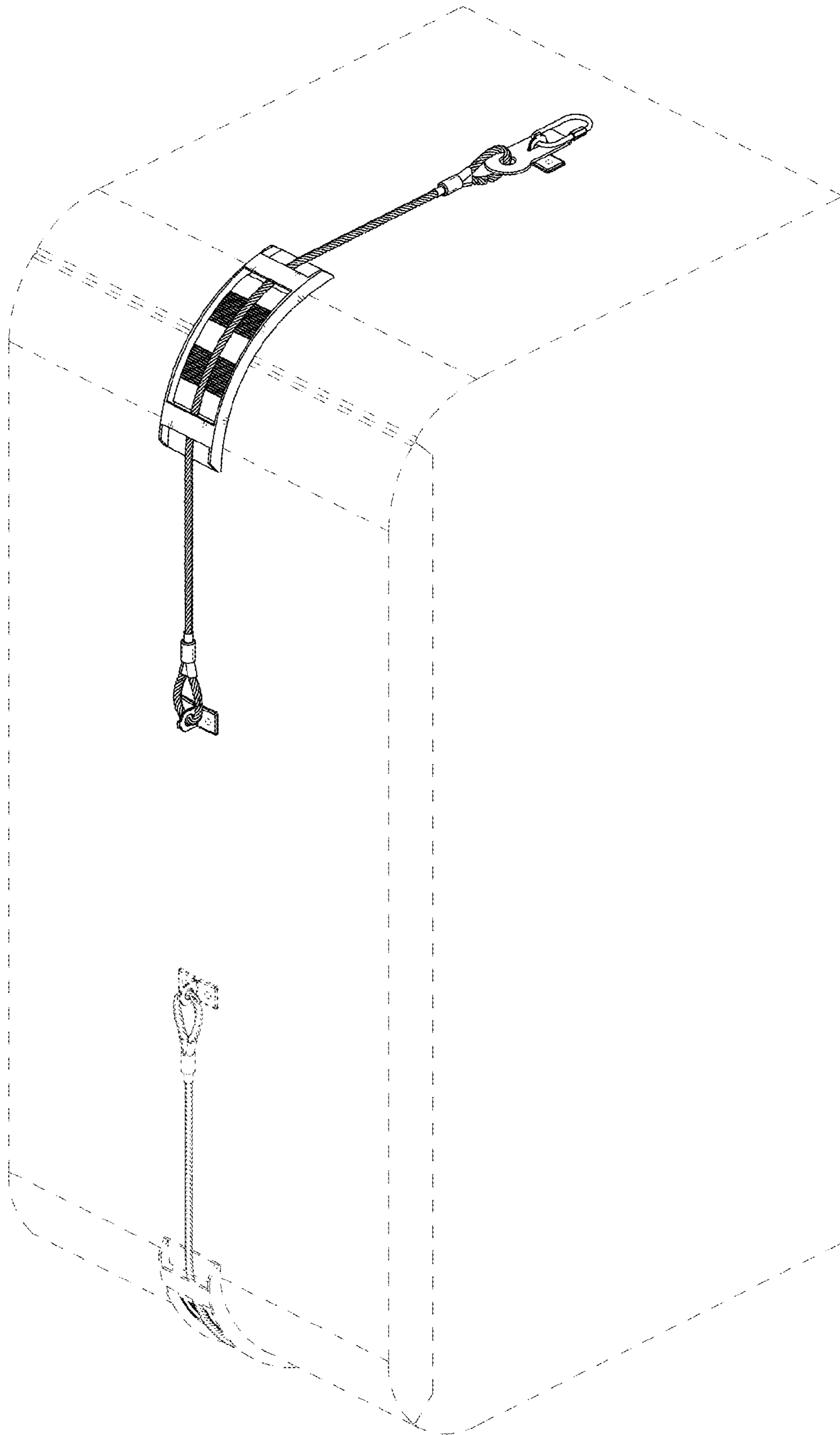


FIG. 10