



US00D896057S

(12) **United States Design Patent**
Cesin

(10) **Patent No.:** **US D896,057 S**

(45) **Date of Patent:** **** Sep. 15, 2020**

(54) **BLADE HANDLE**

(71) Applicant: **Louie Cesin**, Miami, FL (US)

(72) Inventor: **Louie Cesin**, Miami, FL (US)

(**) Term: **15 Years**

(21) Appl. No.: **29/691,745**

(22) Filed: **May 18, 2019**

(51) **LOC (12) Cl.** **08-03**

(52) **U.S. Cl.**
USPC **D8/107**

(58) **Field of Classification Search**
USPC ... D8/14, 95, 96, 97, 98, 99, 100, 107, 300;
D22/118; D7/649; D24/133
CPC .. B25G 1/102; B25G 3/36; B26B 1/00; B26B
1/08; B26B 1/10; B26B 3/00; B26B 3/02;
B26B 3/03; B26B 3/04; B26B 3/06;
B26B 5/00; B26B 5/001; B26B 5/007;
B26B 7/00; B26B 7/005; B26B 9/00;
B26B 9/02; B26B 11/00; B26B 11/006;
B26B 17/00; B26B 17/006; B26B 29/02
See application file for complete search history.

(56) **References Cited**

U.S. PATENT DOCUMENTS

| | | | |
|---------------|---------|----------------|---------------------|
| D236,579 S * | 9/1975 | Morhack | D7/649 |
| D321,112 S * | 10/1991 | Goulter | D7/395 |
| D329,185 S * | 9/1992 | Hasegawa | D8/107 |
| D372,635 S * | 8/1996 | Gebhardt | D7/401.2 |
| D397,190 S * | 8/1998 | Balolia | D22/118 |
| 6,070,329 A * | 6/2000 | Gibbs | B26B 1/10 30/340 |

| | | | |
|----------------|---------|-----------------|----------------------|
| 6,502,314 B1 * | 1/2003 | McCatty | B25G 1/102 16/430 |
| 6,598,302 B1 * | 7/2003 | Peppel | B25G 1/102 16/430 |
| D479,104 S * | 9/2003 | Onion | D7/649 |
| D503,451 S * | 3/2005 | Tal | D22/117 |
| D522,429 S * | 6/2006 | Ishiwata | D12/209 |
| D547,135 S * | 7/2007 | Hasegawa | D7/664 |
| D559,046 S * | 1/2008 | Onion | D7/649 |
| D607,530 S * | 1/2010 | Craffey | D22/118 |
| D704,793 S * | 5/2014 | Dahan | D22/118 |
| D844,095 S * | 3/2019 | McKillips | D22/118 |
| D859,954 S * | 9/2019 | Masciave | D8/107 |
| D863,896 S * | 10/2019 | Wu | D7/649 |

* cited by examiner

Primary Examiner — Philip S Hyder

(74) *Attorney, Agent, or Firm* — Christopher J. Van Dam P.A.; Chris Vandam

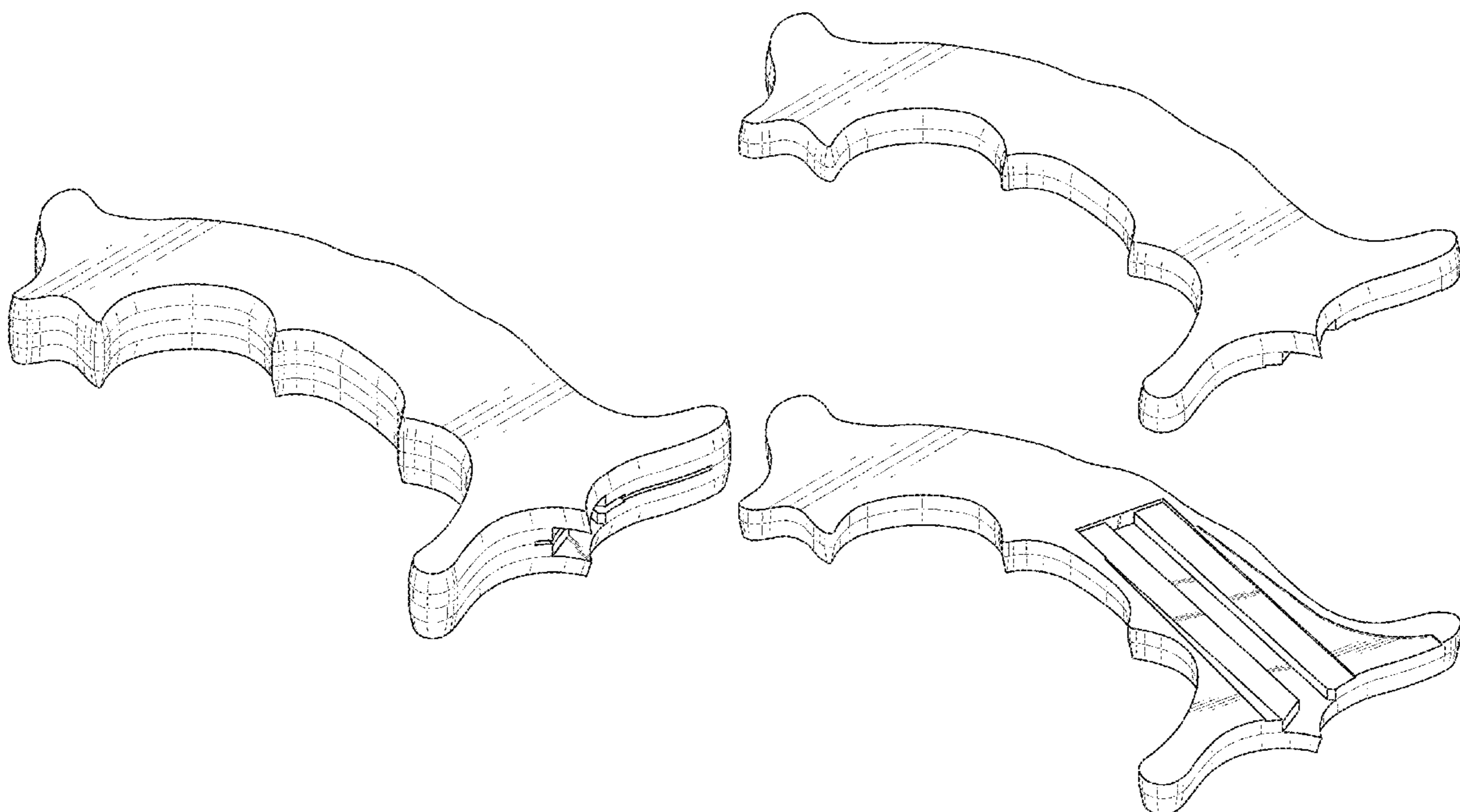
(57) **CLAIM**

The ornamental design for a blade handle, as shown and described.

DESCRIPTION

FIG. 1 shows a plan view of a blade handle.
FIG. 2 shows a perspective view of the blade handle.
FIG. 3 shows a perspective view of the blade handle.
FIG. 4 shows a perspective view of the blade handle.
FIG. 5 shows a perspective view of the blade handle where sub-assemblies are separated; and,
FIG. 6 shows a perspective view of the blade handle where sub-assemblies are separated.

1 Claim, 6 Drawing Sheets



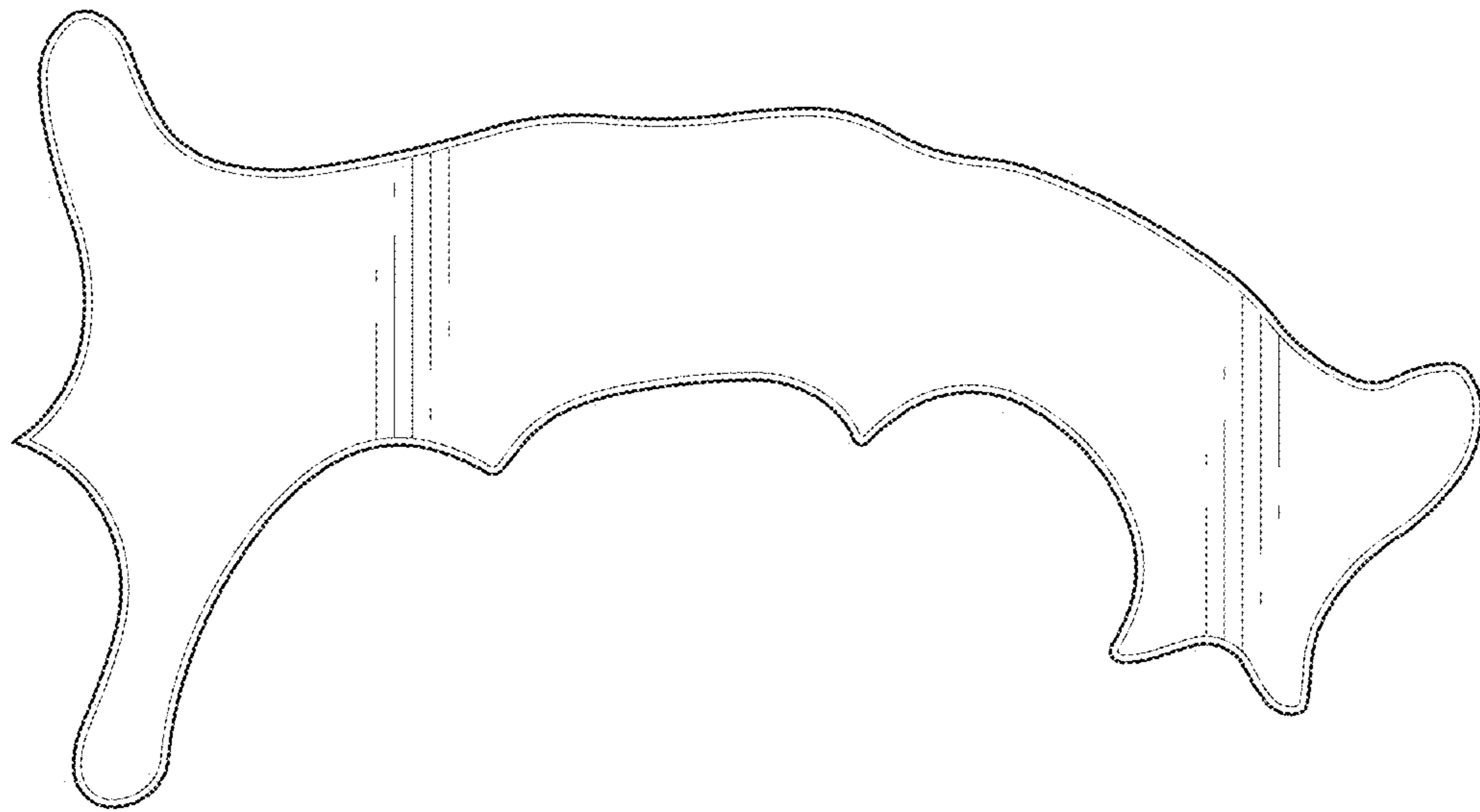


FIG. 1

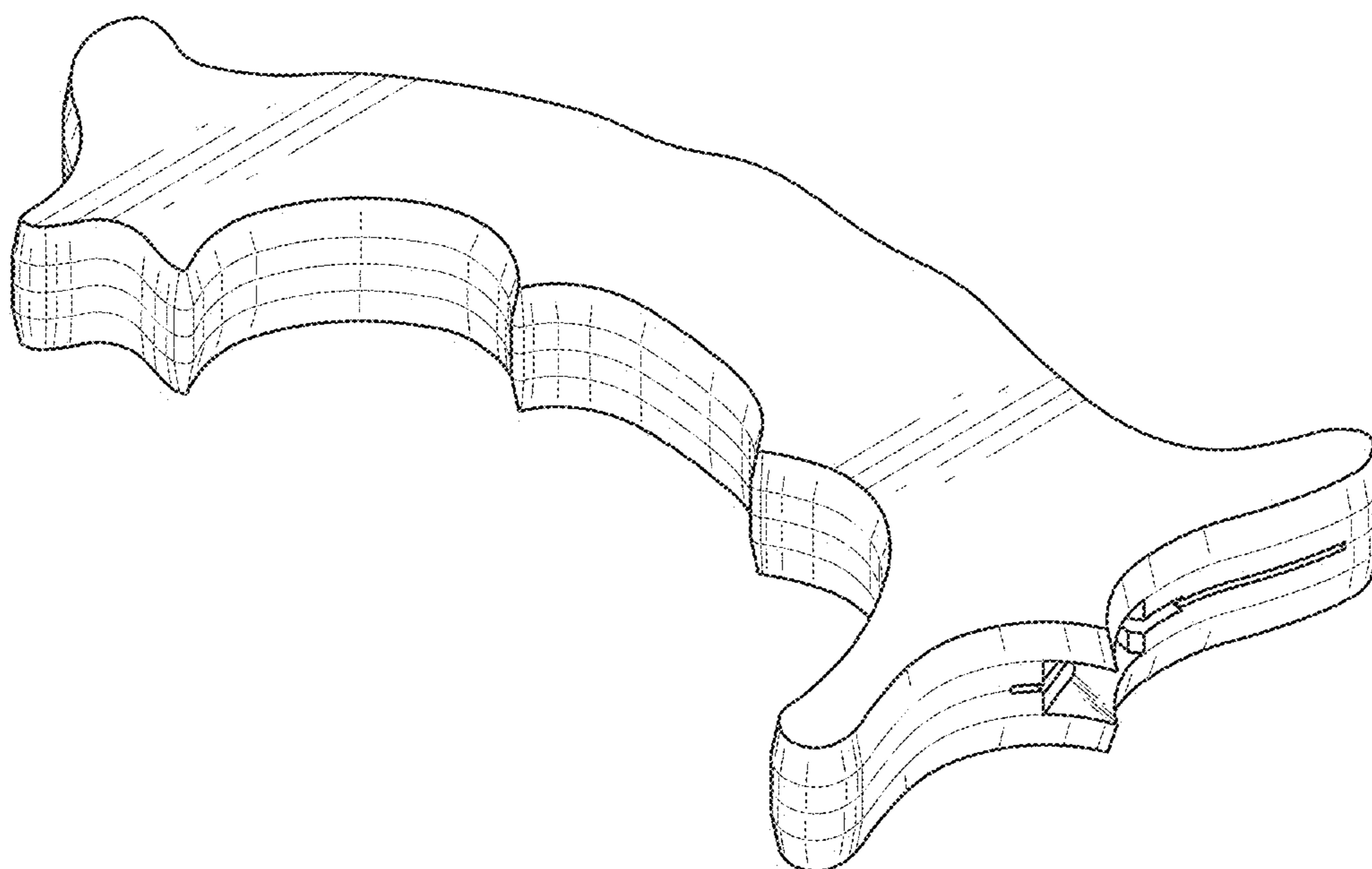


FIG. 2

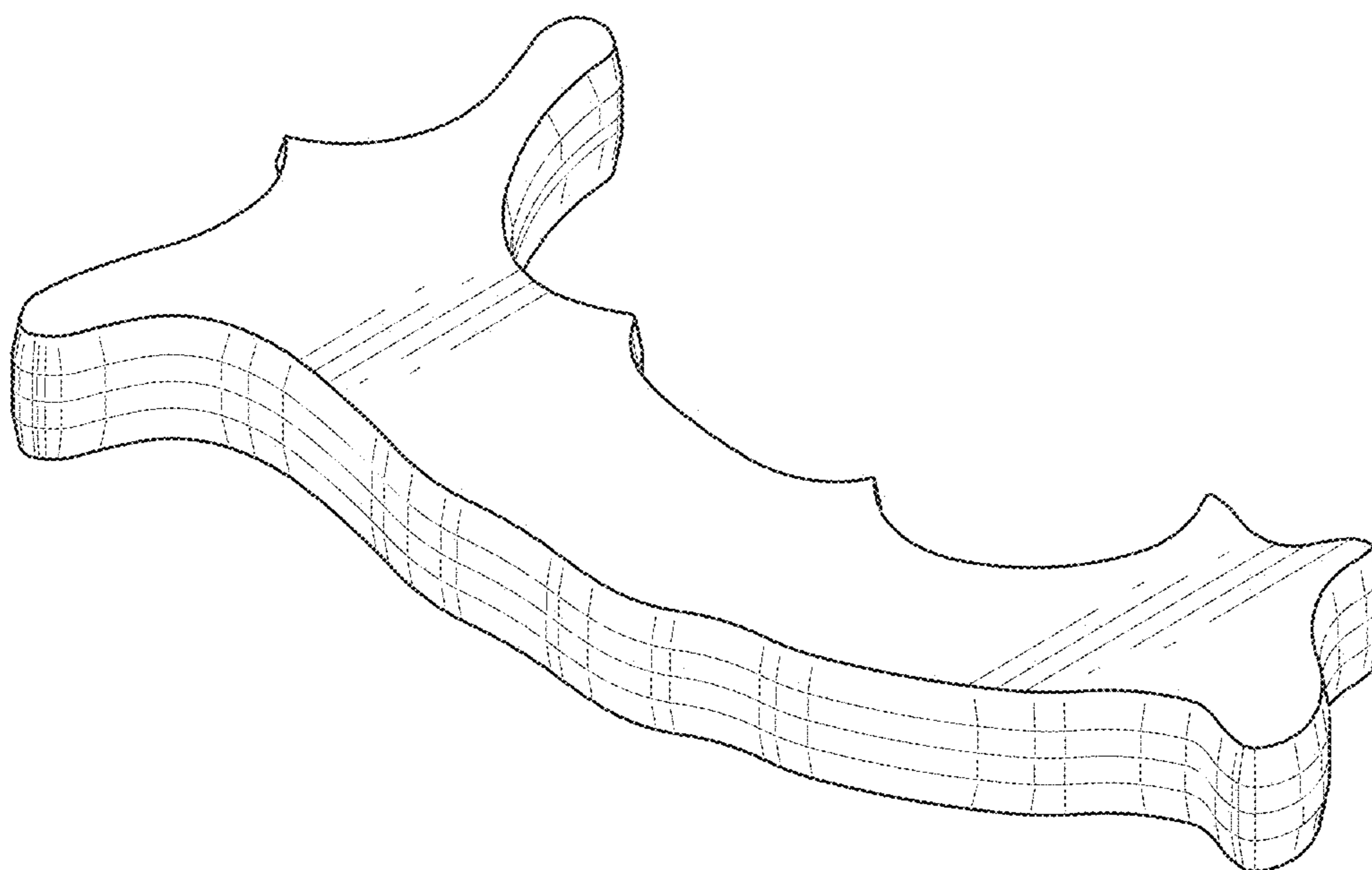


FIG. 3

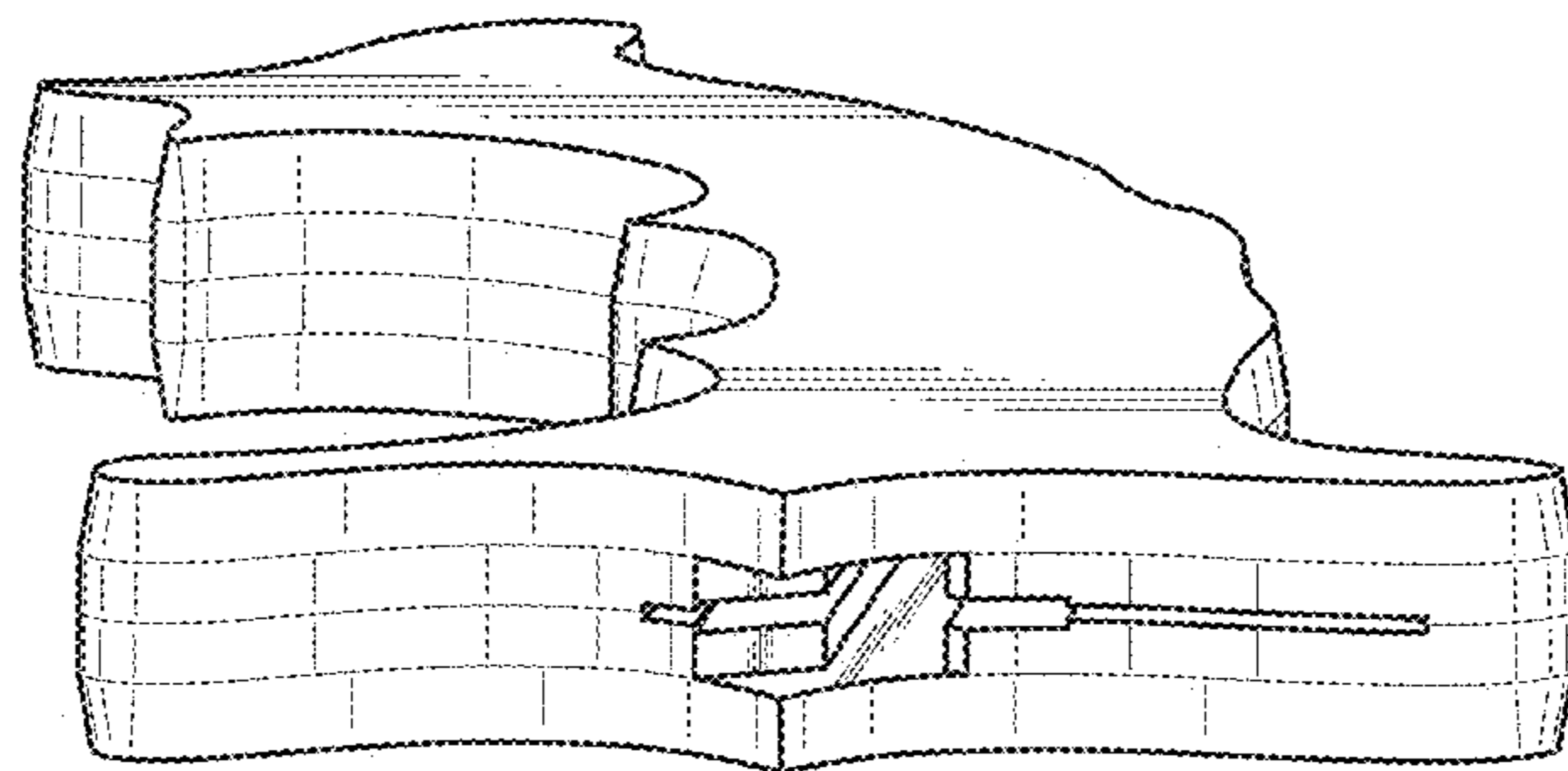


FIG. 4

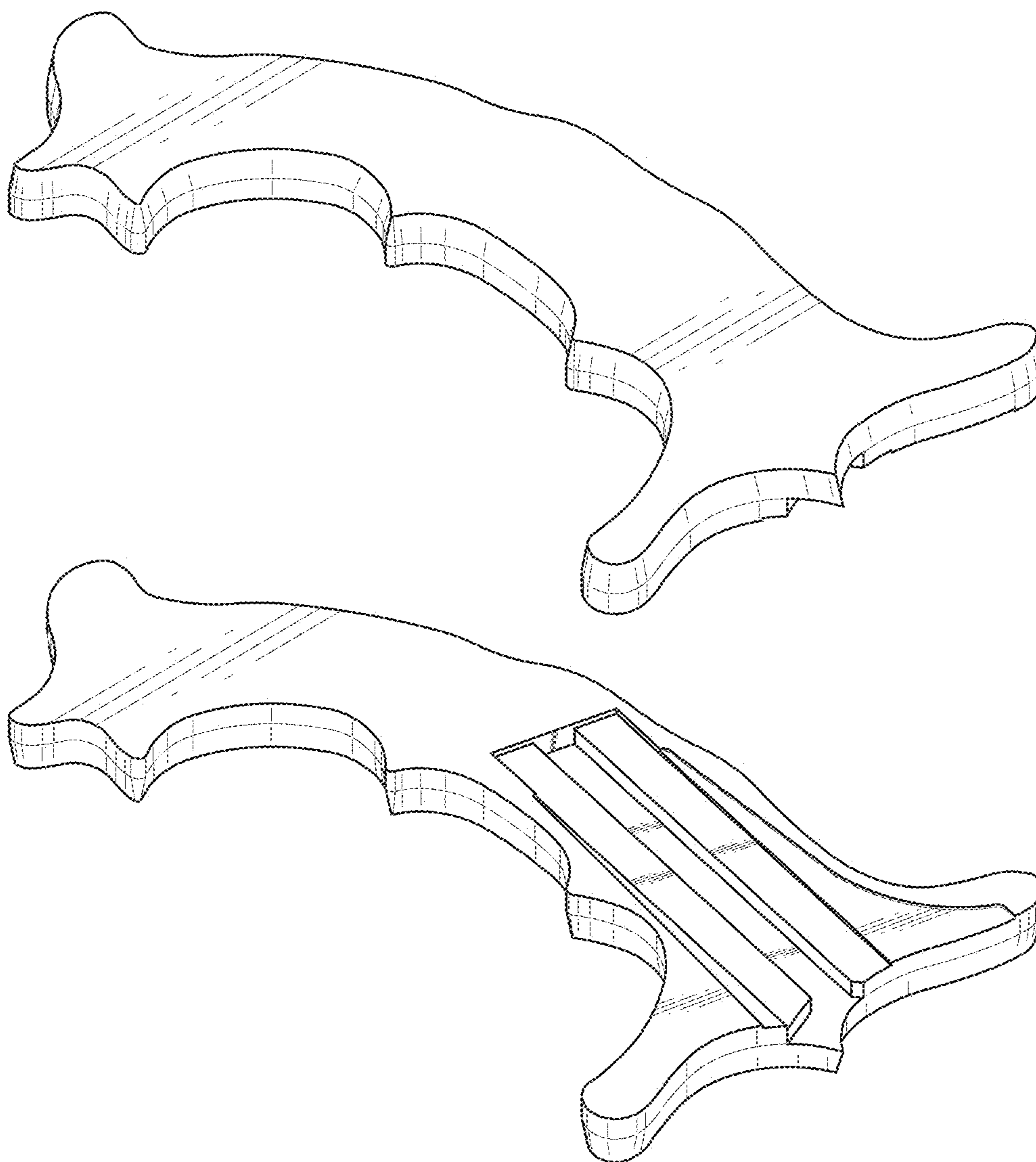


FIG. 5

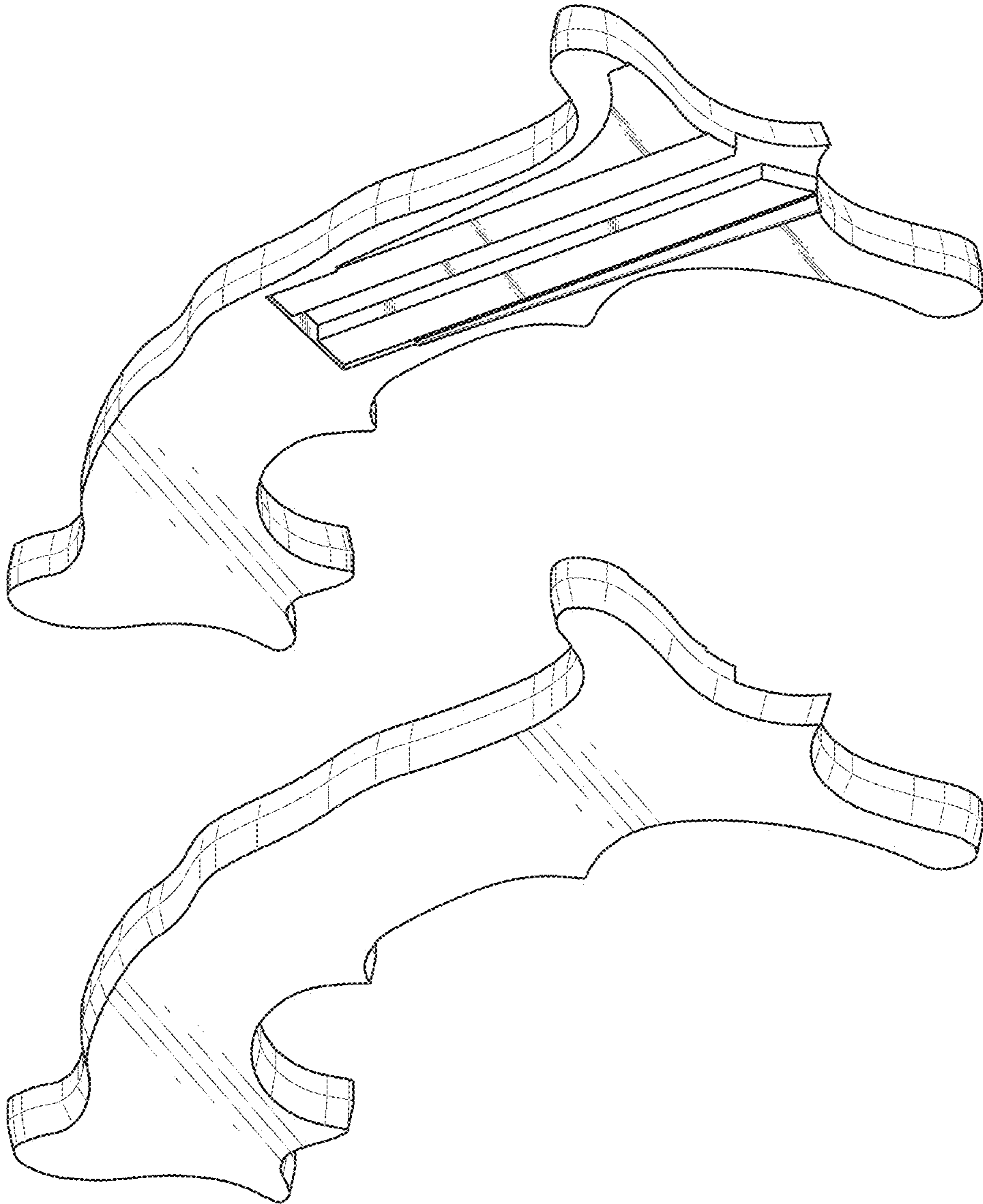


FIG. 6