



US00D896056S

(12) **United States Design Patent** (10) **Patent No.:** **US D896,056 S**
Brown (45) **Date of Patent:** **** Sep. 15, 2020**

(54) **MULTITOOL**

(71) Applicant: **Robert K Brown**, Plantation, FL (US)

(72) Inventor: **Robert K Brown**, Plantation, FL (US)

(**) Term: **15 Years**

(21) Appl. No.: **29/670,443**

(22) Filed: **Nov. 15, 2018**

(51) **LOC (12) Cl.** **08-05**

(52) **U.S. Cl.**
USPC **D8/105**; D8/99

(58) **Field of Classification Search**
USPC D8/105, 81, 88, 89, 14, 16-19, 21, 27,
D8/51, 98, 99, 104, 45, 48
CPC . B25G 1/10; B25B 13/04; B66F 15/00; B66F
17/00
See application file for complete search history.

(56) **References Cited**

U.S. PATENT DOCUMENTS

1,496,927	A *	6/1924	Evers	B26B 5/006 30/162
4,017,969	A *	4/1977	Stonebraker	B26B 1/04 30/156
D248,538	S *	7/1978	Richards	D8/99
D430,476	S *	9/2000	Thompson	D8/45
D540,138	S *	4/2007	Kan	D8/99
D579,299	S *	10/2008	Ping	D8/99
D591,135	S *	4/2009	Wu	D8/99
D622,574	S *	8/2010	Garcia	D8/105

D743,236	S *	11/2015	Fischer	D8/99
D749,928	S *	2/2016	Stobar	D8/99
D749,929	S *	2/2016	Stobar	D8/99
D782,892	S *	4/2017	Fischer	D8/99
D790,313	S *	6/2017	Watanabe	D8/99
D796,932	S *	9/2017	Sung	D8/99
D804,273	S *	12/2017	Thomsen	D8/99
D821,174	S *	6/2018	Rohrbach	D8/99
D835,966	S *	12/2018	Green	D8/99
D852,019	S *	6/2019	Thomsen	D8/99
D865,479	S *	11/2019	Rohrbach	D8/99
D869,930	S *	12/2019	Parker	D8/105
D879,579	S *	3/2020	Di Muro	D8/99
2008/0250650	A1 *	10/2008	Seber	B26B 5/001 30/161
2019/0232507	A1 *	8/2019	Su	B26B 5/00

* cited by examiner

Primary Examiner — Janice Hallmark

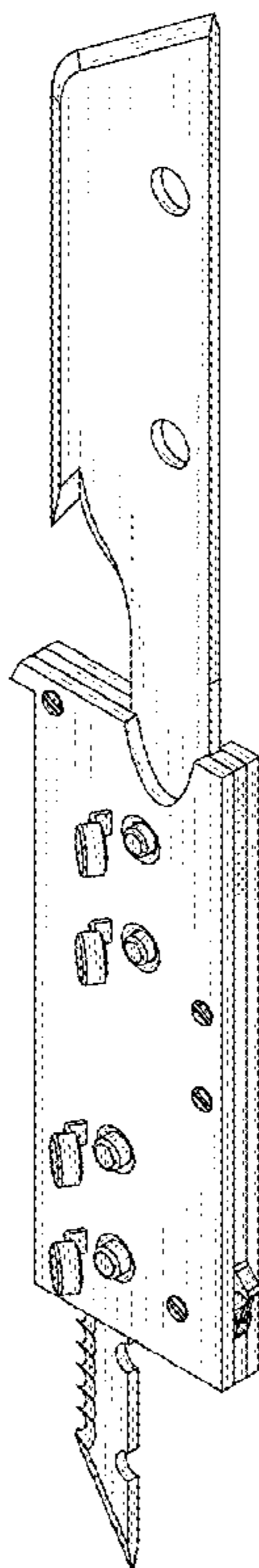
(57) **CLAIM**

The ornamental design for a multitool, as shown and described.

DESCRIPTION

FIG. 1 is a perspective view of a multitool showing my new design;
FIG. 2 is a front view thereof;
FIG. 3 is a rear view thereof;
FIG. 4 is a left view thereof;
FIG. 5 is a right view thereof;
FIG. 6 is a top view thereof; and,
FIG. 7 is a bottom view thereof.

1 Claim, 7 Drawing Sheets



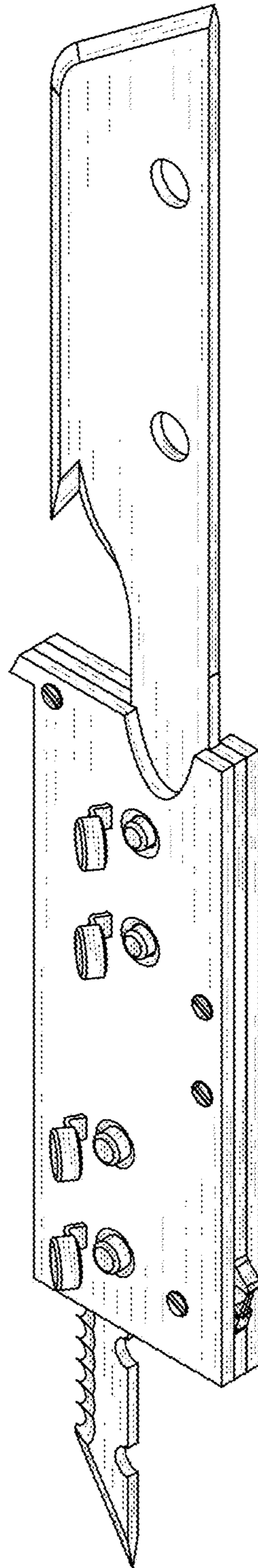


FIG. 1

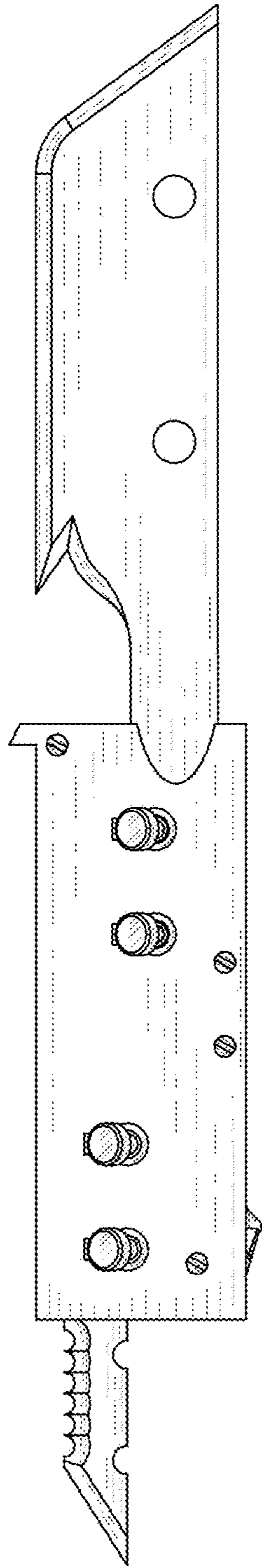


FIG. 2

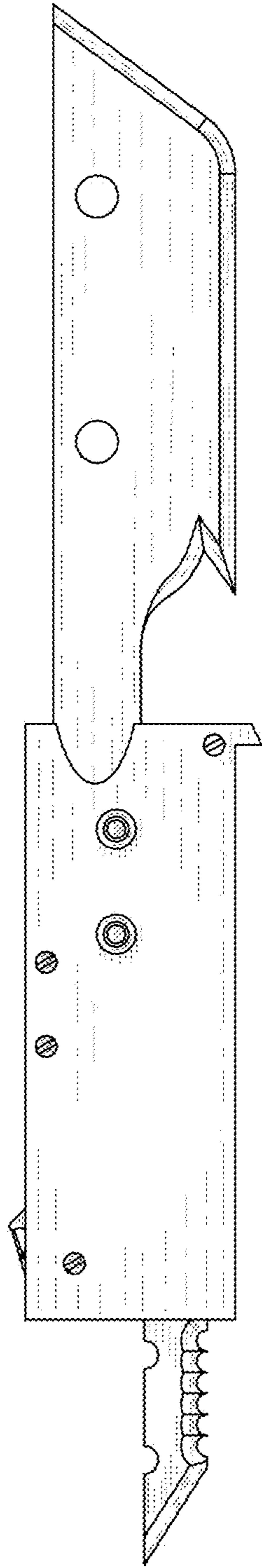


FIG. 3

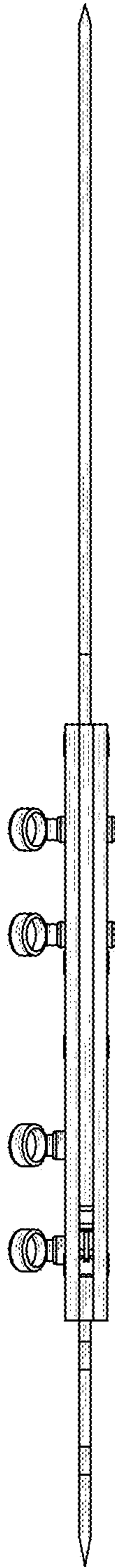


FIG. 4

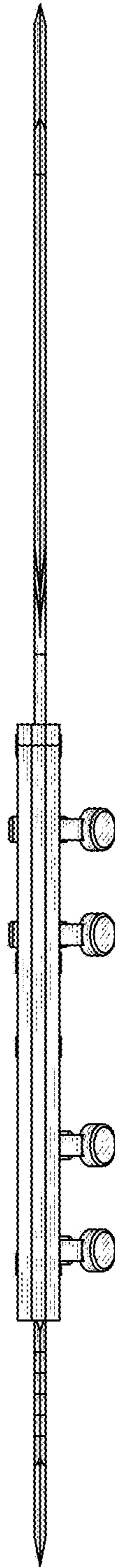


FIG. 5

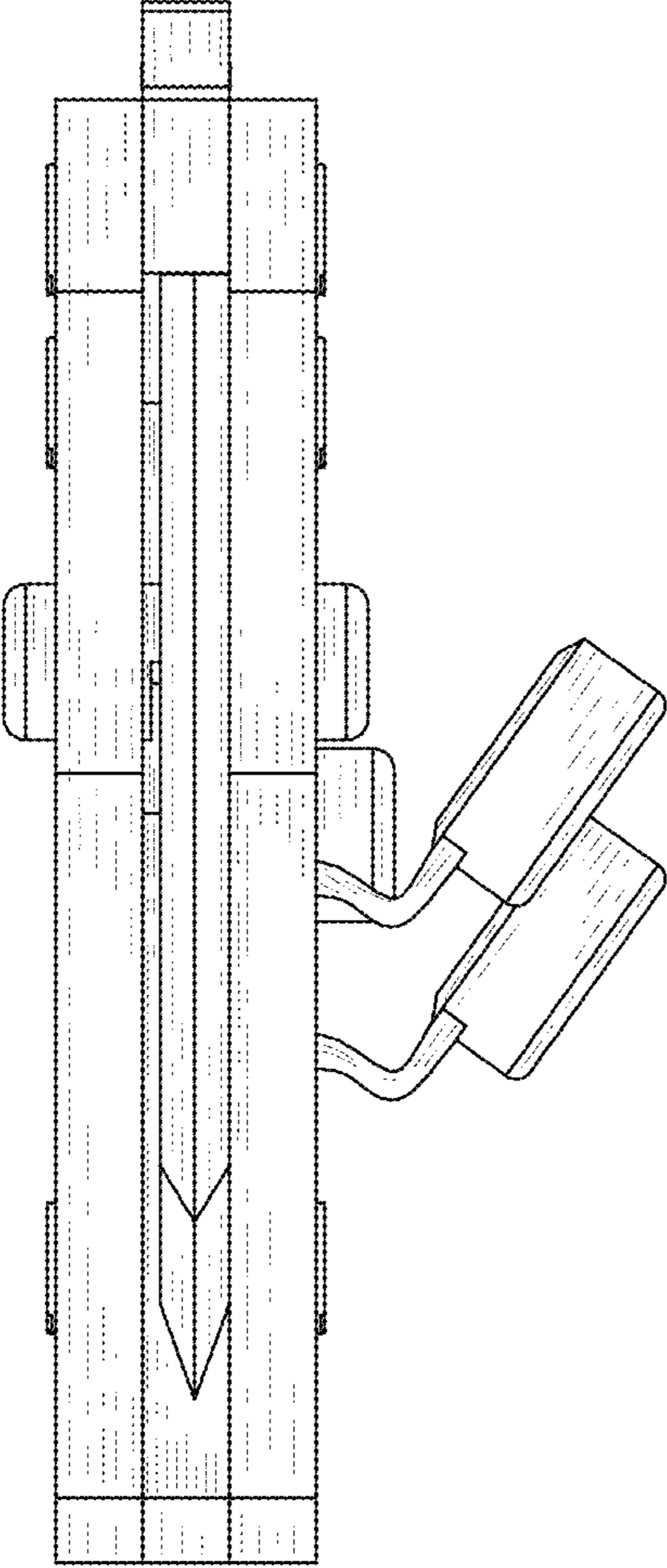


FIG. 6

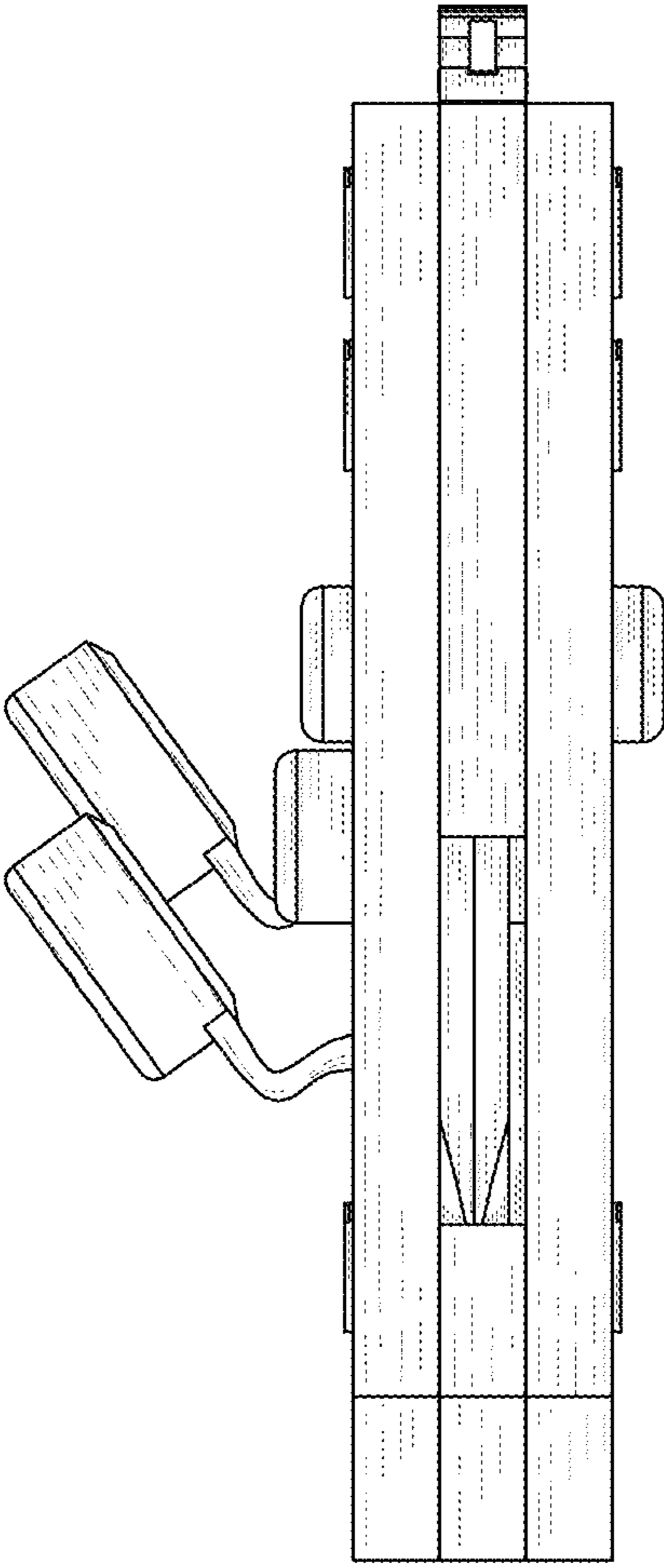


FIG. 7