

US00D896053S

(12) **United States Design Patent** (10) **Patent No.:** **US D896,053 S**
Tyler et al. (45) **Date of Patent:** **** Sep. 15, 2020**

(54) **CLAMP**

(71) Applicant: **UniClamp SA (PTY) LTD**, Midrand, Gauteng (ZA)

(72) Inventors: **Jared Tyler**, Fairland (ZA); **Leonard Rust**, Strubens Valley (ZA)

(73) Assignee: **UNICLAMP SA (PTY) LTD**, Gauteng (ZA)

(**) Term: **15 Years**

(21) Appl. No.: **29/671,784**

(22) Filed: **Nov. 29, 2018**

(30) **Foreign Application Priority Data**

May 30, 2018 (ZA) A2018/00843

(51) **LOC (12) Cl.** **08-05**

(52) **U.S. Cl.**
USPC **D8/72**

(58) **Field of Classification Search**
USPC D8/71-74, 394-399, 59; 248/63, 72, 248/74.1, 689, 124.2; 81/487, 385, 386, 81/388-390; 269/3, 4, 6, 143, 165, 240, 269/243, 246-249, 254 R, 147-149; 29/256, 257, 276; 408/103, 104-109
CPC B25B 1/00; B25B 5/00
See application file for complete search history.

(56) **References Cited**

U.S. PATENT DOCUMENTS

8,646,738 B2 * 2/2014 Stoob F16M 7/00
248/188.4
D705,634 S * 5/2014 Furey D8/72

D758,178 S * 6/2016 Kim D8/396
D832,070 S * 10/2018 Hoang D8/71
D837,017 S * 1/2019 Miller D8/74
D841,424 S * 2/2019 Hikoyama D8/72
D843,806 S * 3/2019 Brigham D8/71
D848,254 S * 5/2019 Sasaki D8/394
D848,810 S * 5/2019 Kousens D8/74
D850,878 S * 6/2019 Da Rosa D8/71
D852,602 S * 7/2019 Nguyen D8/72
D853,831 S * 7/2019 Geringer D8/394
D860,772 S * 9/2019 Jiang D8/394

* cited by examiner

Primary Examiner — David G Muller

(74) *Attorney, Agent, or Firm* — Steven M. Shape; Dennemeyer & Associates, LLC

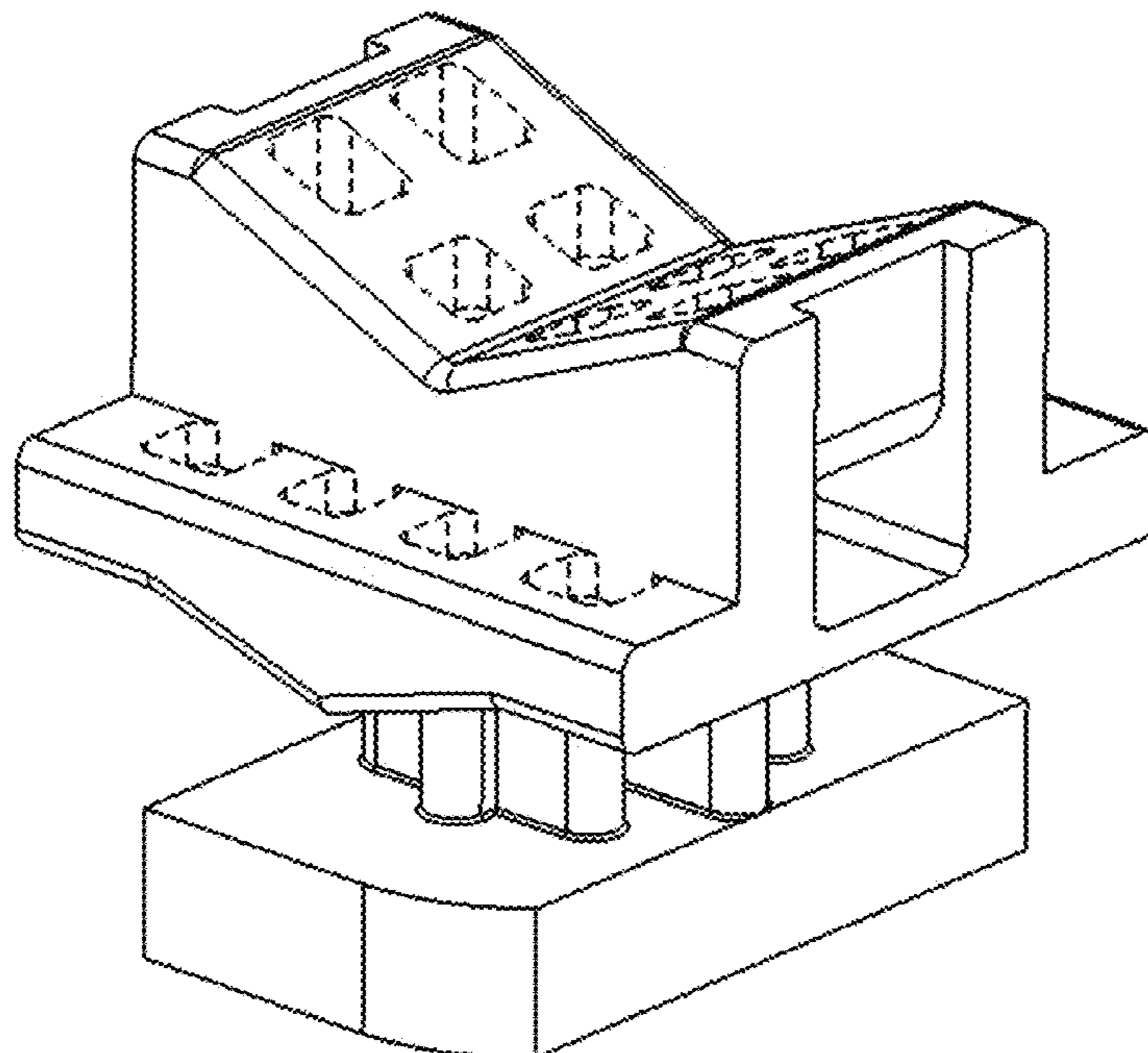
(57) **CLAIM**

The ornamental design for a clamp, as shown and described.

DESCRIPTION

FIG. 1 is a left front perspective view of a clamp embodying our design.
FIG. 2 is a top plan view thereof.
FIG. 3 is a bottom plan view thereof.
FIG. 4 is a right side elevational view thereof.
FIG. 5 is a left side elevational view thereof.
FIG. 6 is a front elevational view thereof; and,
FIG. 7 is a right rear elevational view thereof.
The broken line showing of parts of the drawings is included for the purpose of illustrating use and environment and forms no part of the claimed design.

1 Claim, 4 Drawing Sheets



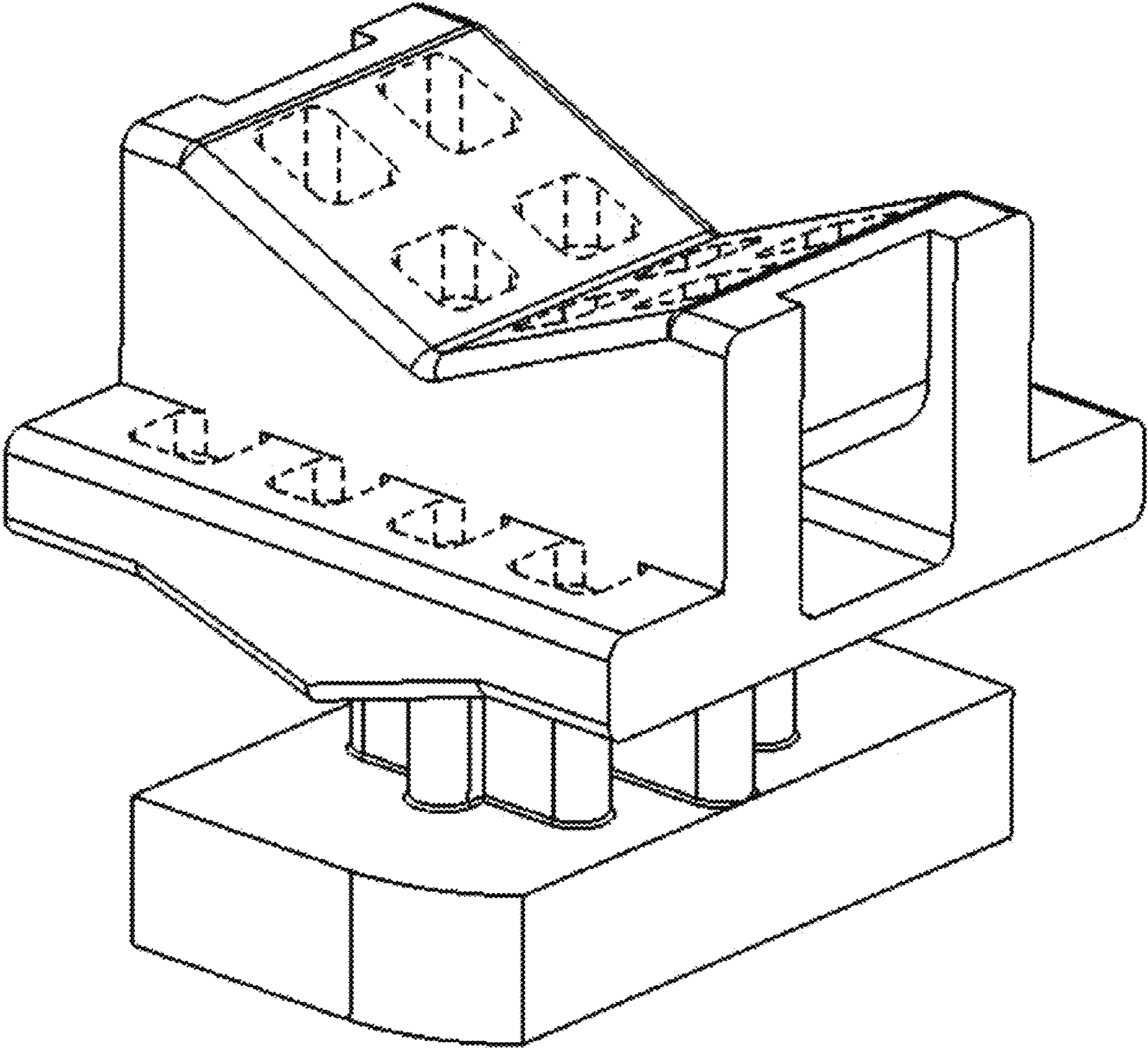


FIG. 1

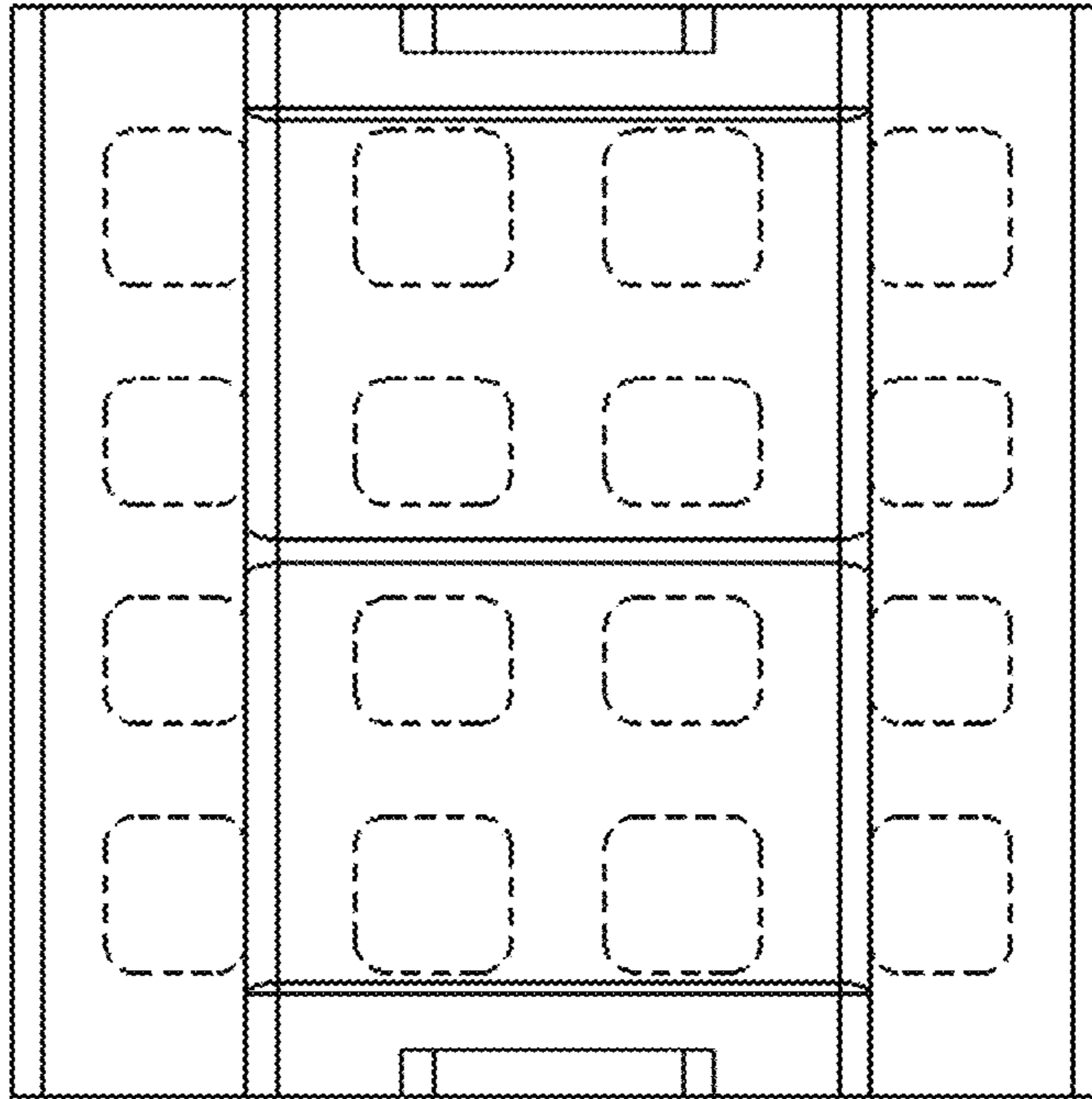


FIG. 2

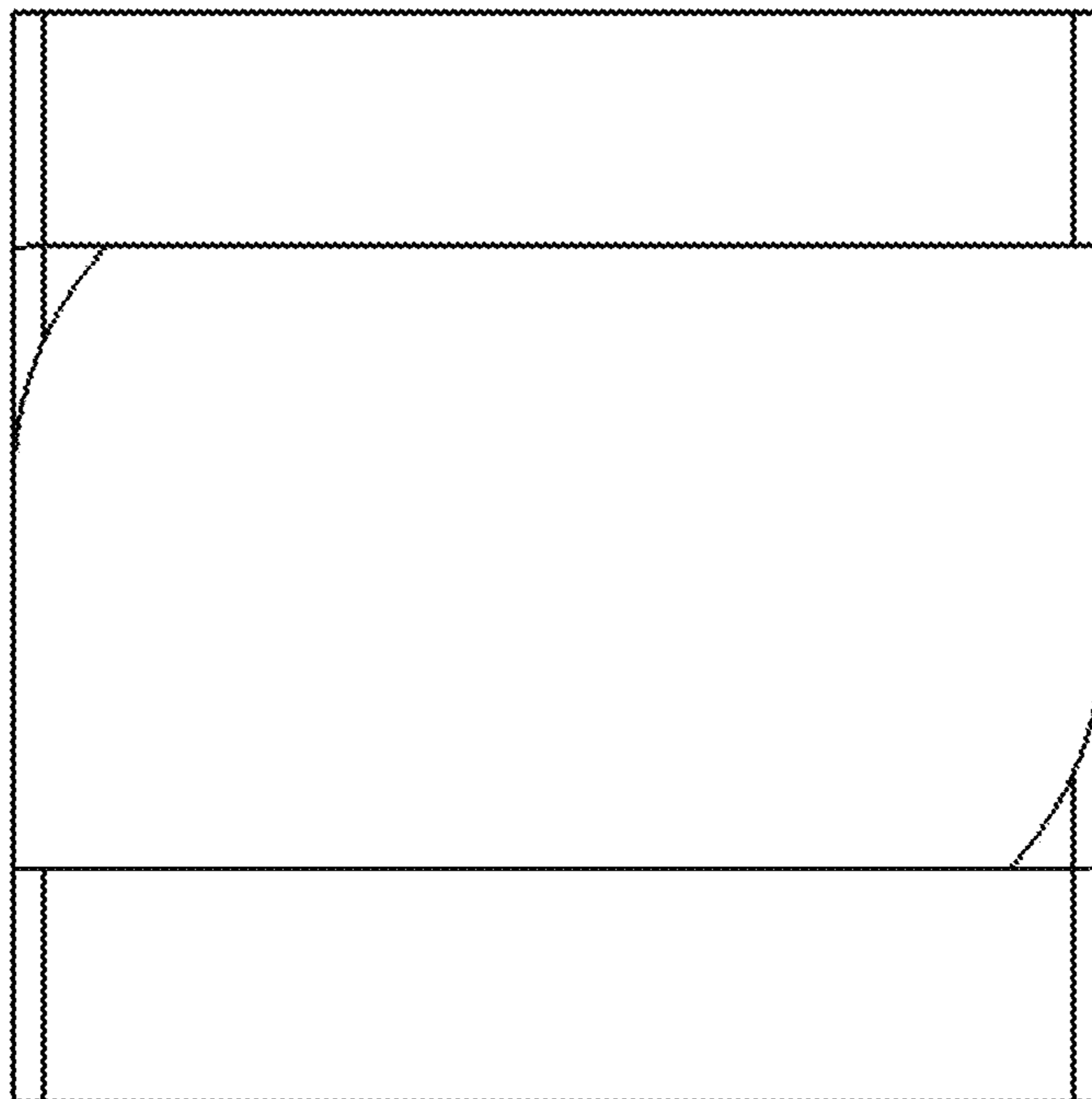


FIG. 3

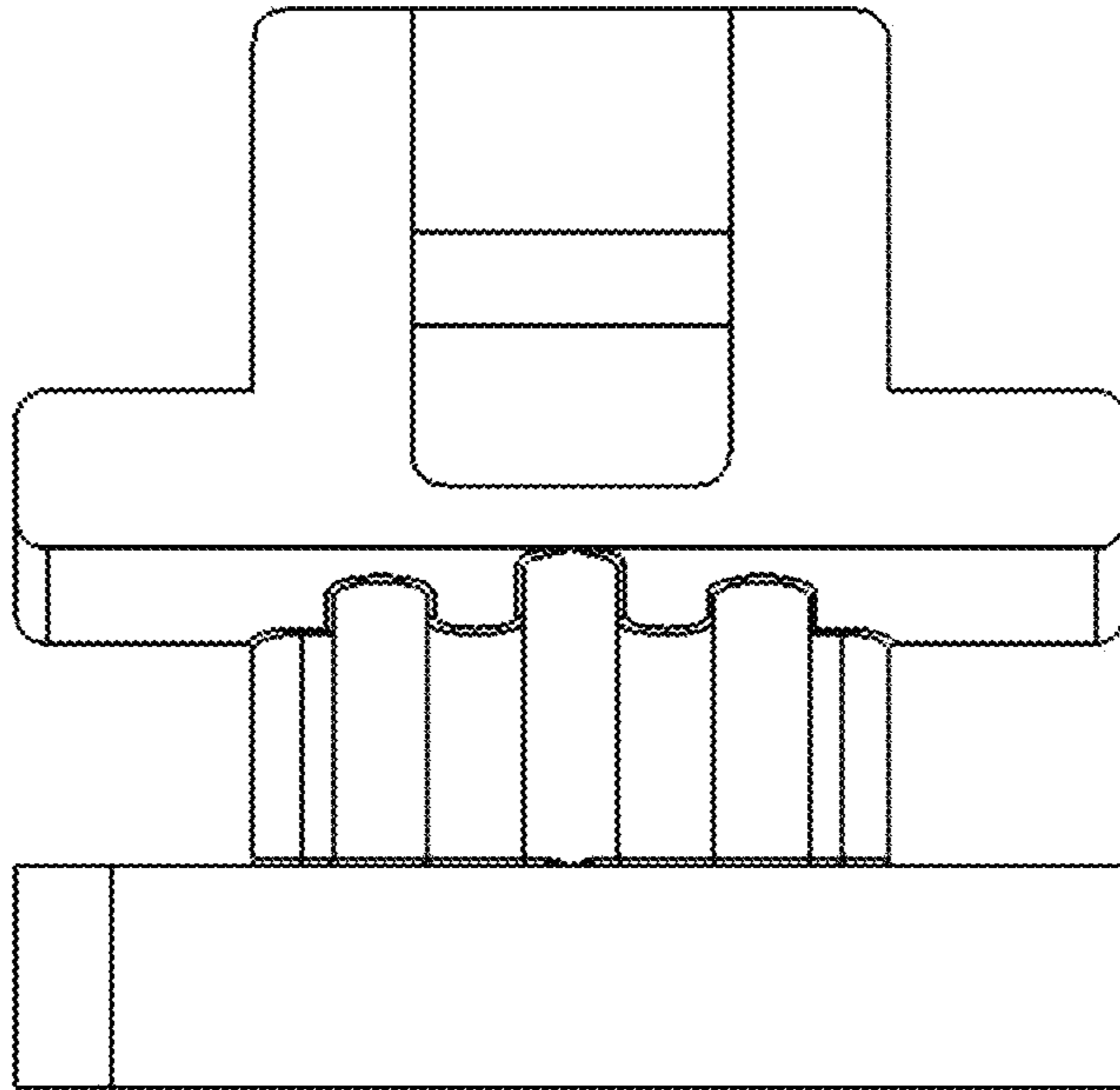


FIG. 4

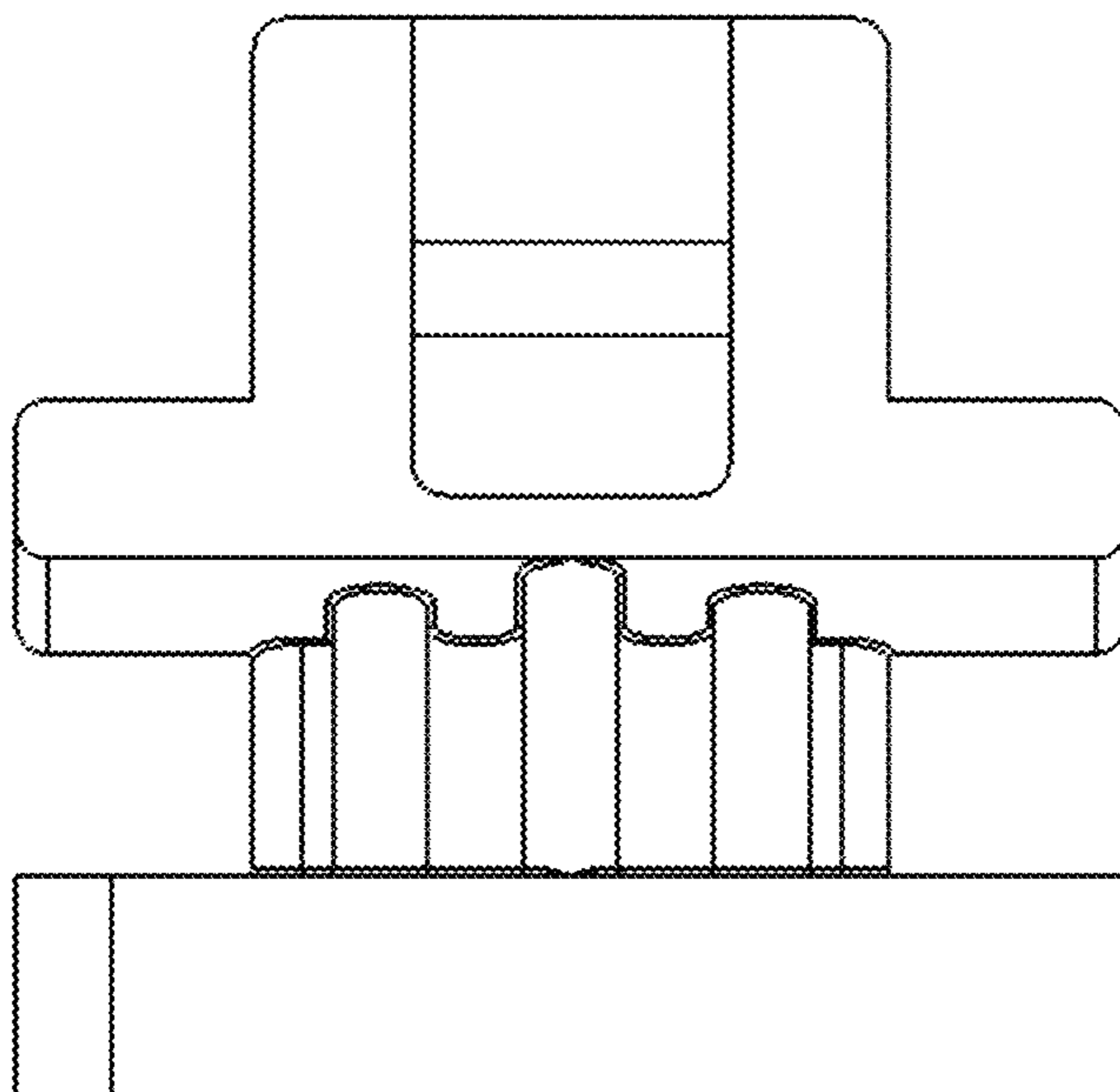


FIG. 5

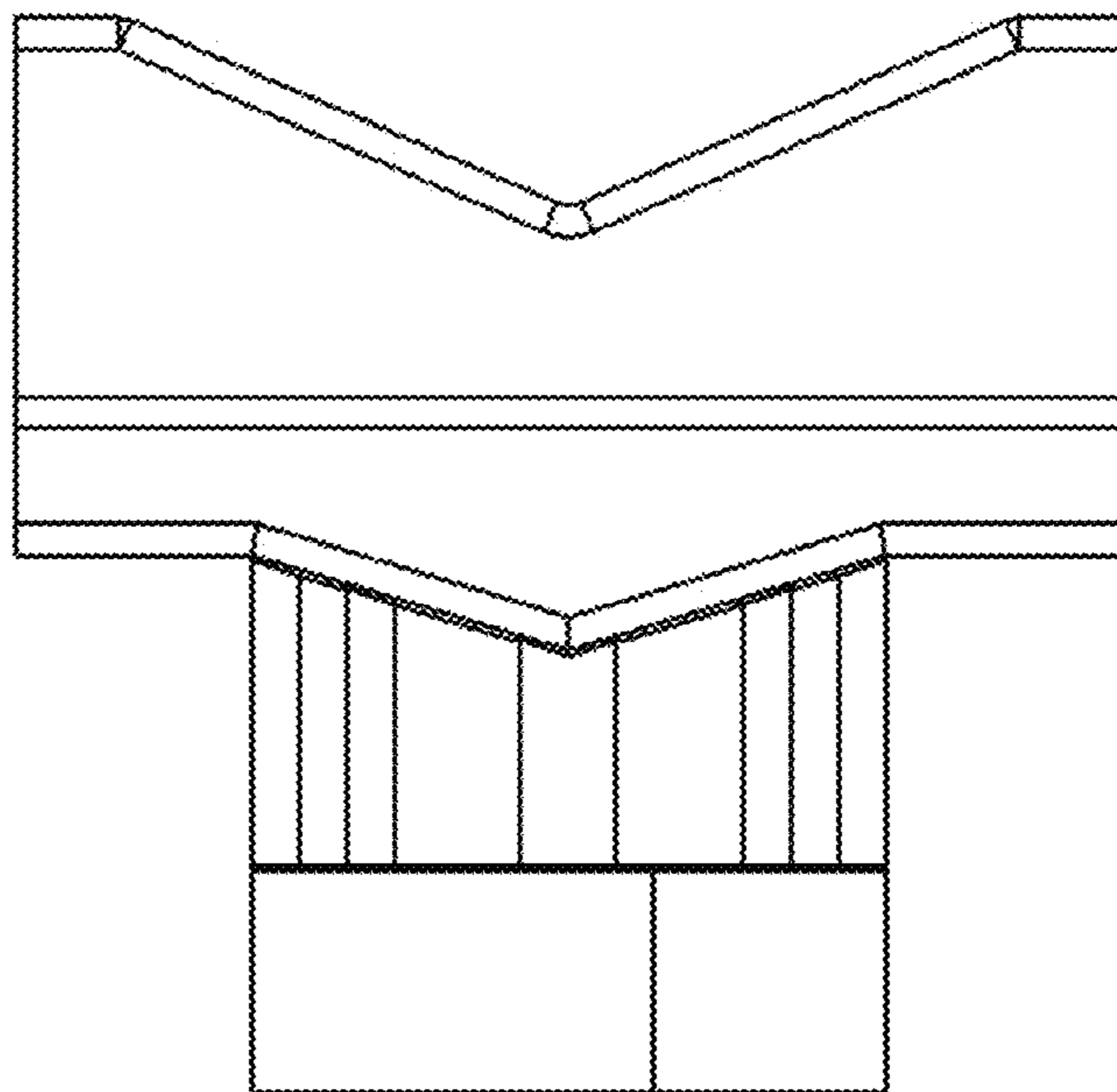


FIG. 6

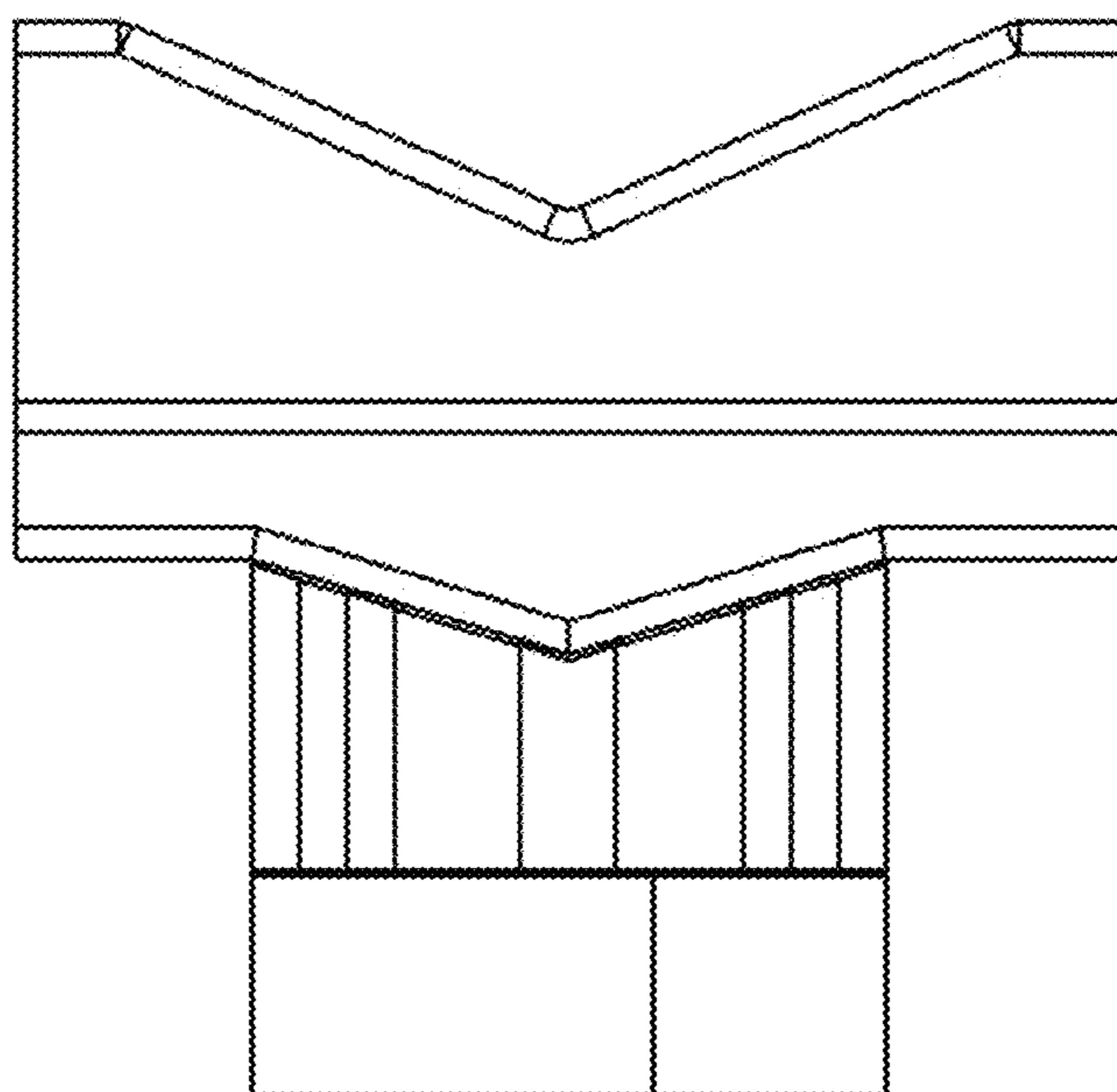


FIG. 7