



US00D896052S

(12) **United States Design Patent**
Hyma et al.

(10) **Patent No.:** **US D896,052 S**
(45) **Date of Patent:** **** Sep. 15, 2020**

(54) **WRENCH SET HOLDER AND DISPLAY**

- (71) Applicant: **Milwaukee Electric Tool Corporation**, Milwaukee, WI (US)
- (72) Inventors: **Steven W. Hyma**, Milwaukee, WI (US); **Scott M. Hangartner**, Hartland, WI (US); **Joseph M. DeBaker**, Greenfield, WI (US)
- (73) Assignee: **Milwaukee Electric Tool Corporation**, Brookfield, WI (US)
- (**) Term: **15 Years**
- (21) Appl. No.: **29/729,796**
- (22) Filed: **Mar. 30, 2020**

Related U.S. Application Data

- (60) Division of application No. 29/677,662, filed on Jan. 23, 2019, now Pat. No. Des. 883,059, which is a (Continued)
- (51) **LOC (12) Cl.** **08-71**
- (52) **U.S. Cl.**
USPC **D8/71**
- (58) **Field of Classification Search**
USPC D8/71; 206/349, 372, 373, 376, 378, 206/565; D3/315, 905, 276, 228
(Continued)

(56) **References Cited**

U.S. PATENT DOCUMENTS

- 4,911,297 A 3/1990 Suburu
- D356,462 S * 3/1995 Ko D6/570
(Continued)

FOREIGN PATENT DOCUMENTS

- CN 2292003 9/1998
- CN 2334552 8/1999
(Continued)

OTHER PUBLICATIONS

Taiwan Patent Office Action for Application No. 103305336 dated Feb. 23, 2018 (4 pages including Statement of Relevance).
(Continued)

Primary Examiner — Keli L Hill
Assistant Examiner — Harold E Blackwell, II
(74) *Attorney, Agent, or Firm* — Reinhart Boerner Van Deuren s.c.

(57) **CLAIM**

We claim the ornamental design for a wrench set holder and display, as shown and described.

DESCRIPTION

FIG. 1 is a perspective view of a wrench set holder and display according to an embodiment of the invention.

FIG. 2 is a front side view of the holder and display shown in FIG. 1.

FIG. 3 is a back side view of the holder and display shown in FIG. 1.

FIG. 4 is a right side view of the holder and display shown in FIG. 1.

FIG. 5 is a left side view of the holder and display shown in FIG. 1.

FIG. 6 is a top side view of the holder and display shown in FIG. 1.

FIG. 7 is a bottom side view of the holder and display shown in FIG. 1.

FIG. 8 is a perspective view of a wrench set holder and display according to an embodiment of the invention.

FIG. 9 is a front side view of the holder and display shown in FIG. 8.

FIG. 10 is a back side view of the holder and display shown in FIG. 8.

FIG. 11 is a right side view of the holder and display shown in FIG. 8.

FIG. 12 is a left side view of the holder and display shown in FIG. 8.

FIG. 13 is a top side view of the holder and display shown in FIG. 8; and,

(Continued)

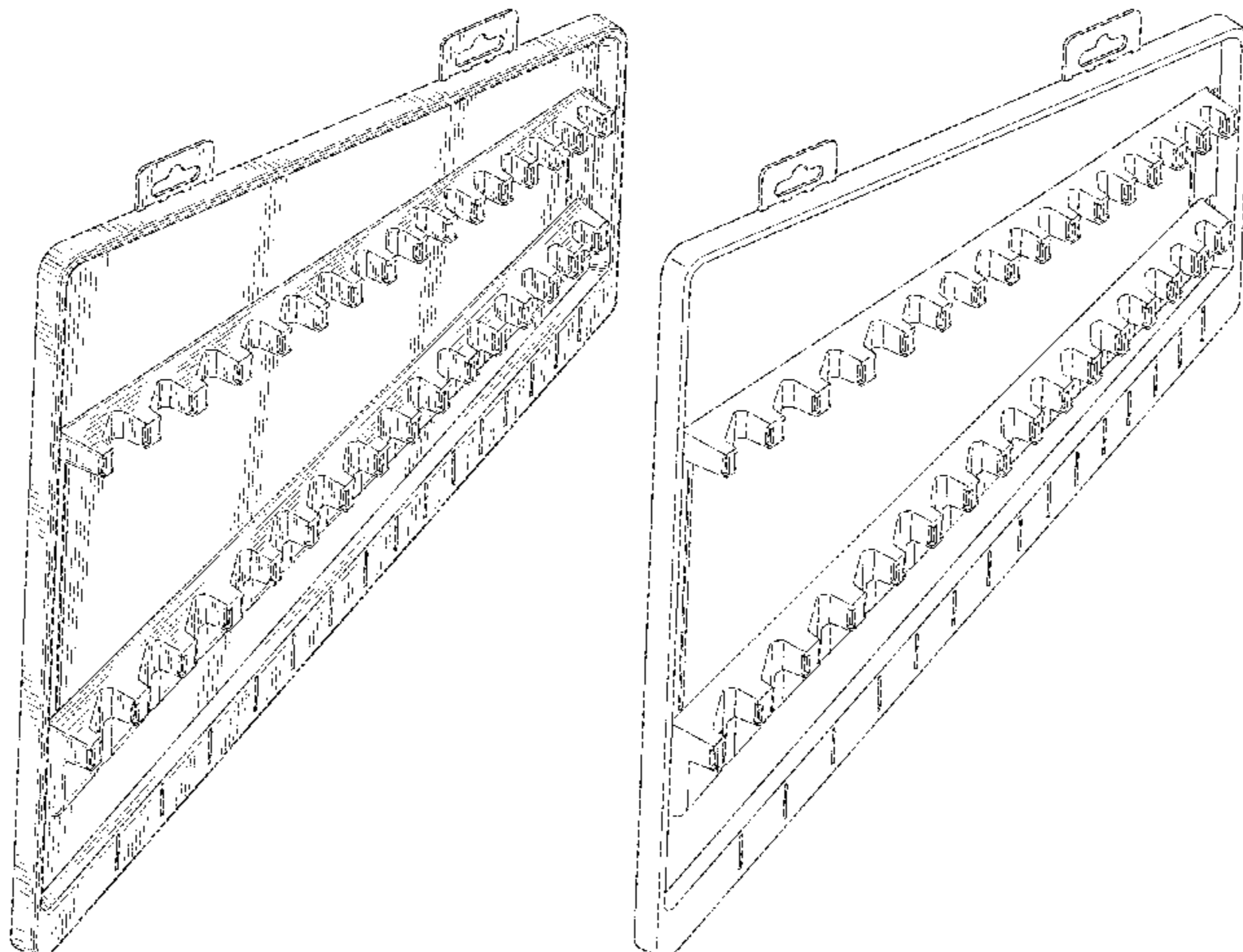


FIG. 14 is a bottom side view of the holder and display shown in FIG. 8.

1 Claim, 10 Drawing Sheets

Related U.S. Application Data

continuation of application No. 29/597,075, filed on Mar. 14, 2017, now abandoned.

(58) **Field of Classification Search**

CPC B25H 3/04; B25H 1/10; A47F 1/00
See application file for complete search history.

(56)

References Cited

U.S. PATENT DOCUMENTS

5,598,924	A	2/1997	McCann	
5,638,964	A	6/1997	Ernst	
D392,489	S *	3/1998	Ernst	D25/131
D412,617	S	8/1999	Kopala, Jr.	
5,931,299	A	8/1999	Hsieh	
D433,613	S	11/2000	Jialin	
6,315,121	B1 *	11/2001	Hansen	B25H 3/04 206/376
6,857,527	B2	2/2005	Hu	
7,080,733	B2	7/2006	Kao	
D528,797	S *	9/2006	Singh	D3/315
7,175,032	B2 *	2/2007	Ling	A47F 7/00 211/70.6
D541,612	S	5/2007	Lin et al.	
D551,456	S *	9/2007	Singh	D3/315
7,537,124	B2	5/2009	Chen	
7,584,845	B2	9/2009	Cheng	
7,987,975	B1	8/2011	Lee	
7,987,981	B1	8/2011	Lee	

8,038,020	B2	10/2011	Vecchio et al.	
D652,280	S	1/2012	Huang	
8,261,911	B2 *	9/2012	Lee	B25H 3/04 206/372
8,403,155	B1	3/2013	Kao	
8,408,388	B1	4/2013	Chen	
D710,668	S	8/2014	Wu	
D734,612	S *	7/2015	Liu	D3/315
2002/0070185	A1	6/2002	Chen	
2005/0051446	A1	3/2005	Chen	
2005/0082323	A1	4/2005	O'Hair	
2006/0118500	A1	6/2006	Chen	
2010/0163502	A1	7/2010	Chang	
2012/0138497	A1	6/2012	Lee	
2016/0121478	A1	5/2016	Schein et al.	

FOREIGN PATENT DOCUMENTS

CN	205614630	10/2016
DE	202010008854	3/2011
DE	202010013102	3/2011
DE	202011000052	4/2011
DE	102011056947	11/2014
FR	2996159	2/2015
TW	376010	12/1991
TW	284657	8/1996
TW	293746	12/1996
TW	446514	7/2001
TW	200918261	5/2009
TW	I374076	10/2012
TW	I374077	10/2012
TW	I374078	10/2012

OTHER PUBLICATIONS

Taiwan Patent Office Action for Application No. 103305337 dated Feb. 23, 2018 (4 pages including Statement of Relevance).

* cited by examiner

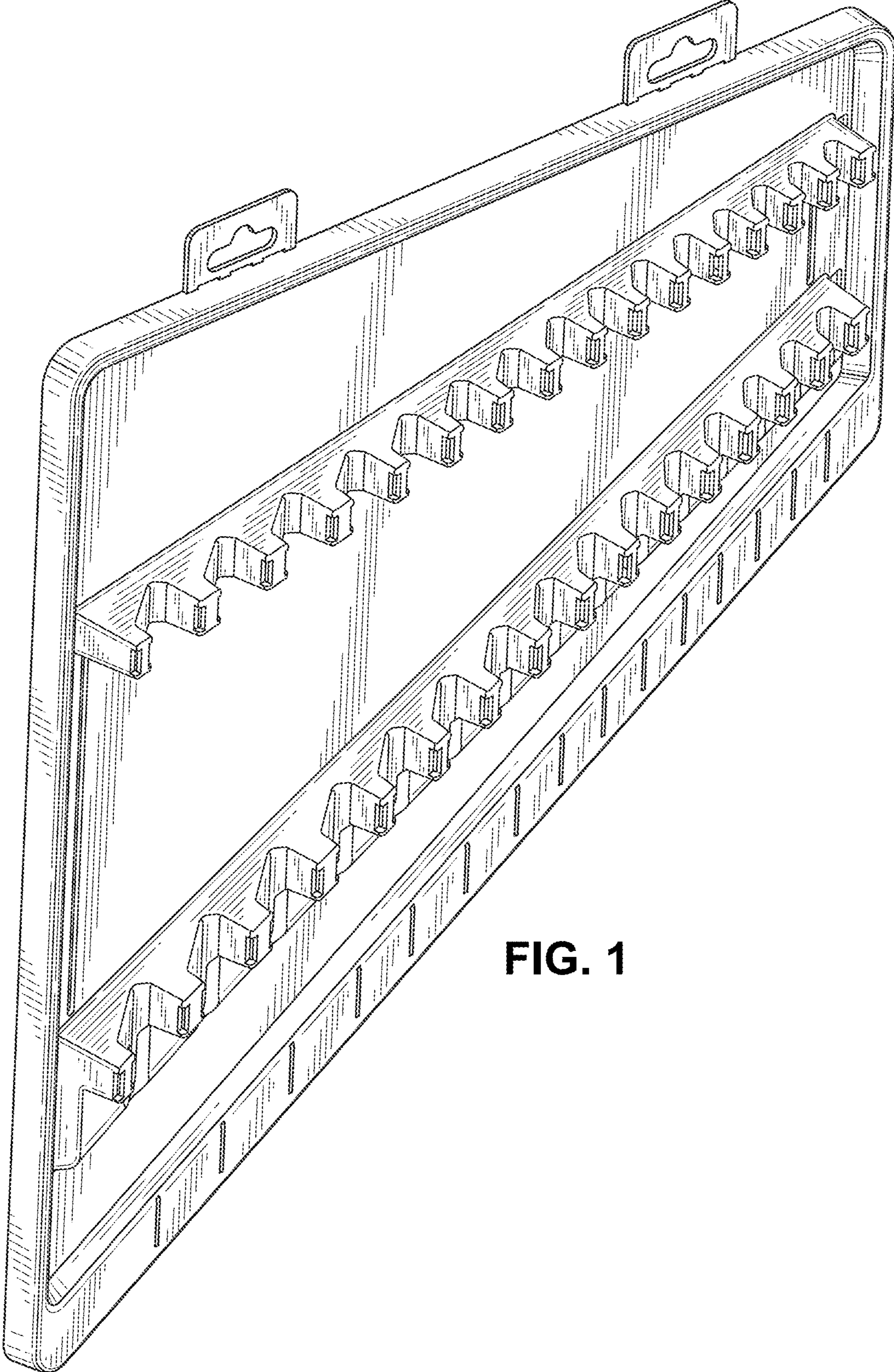


FIG. 1

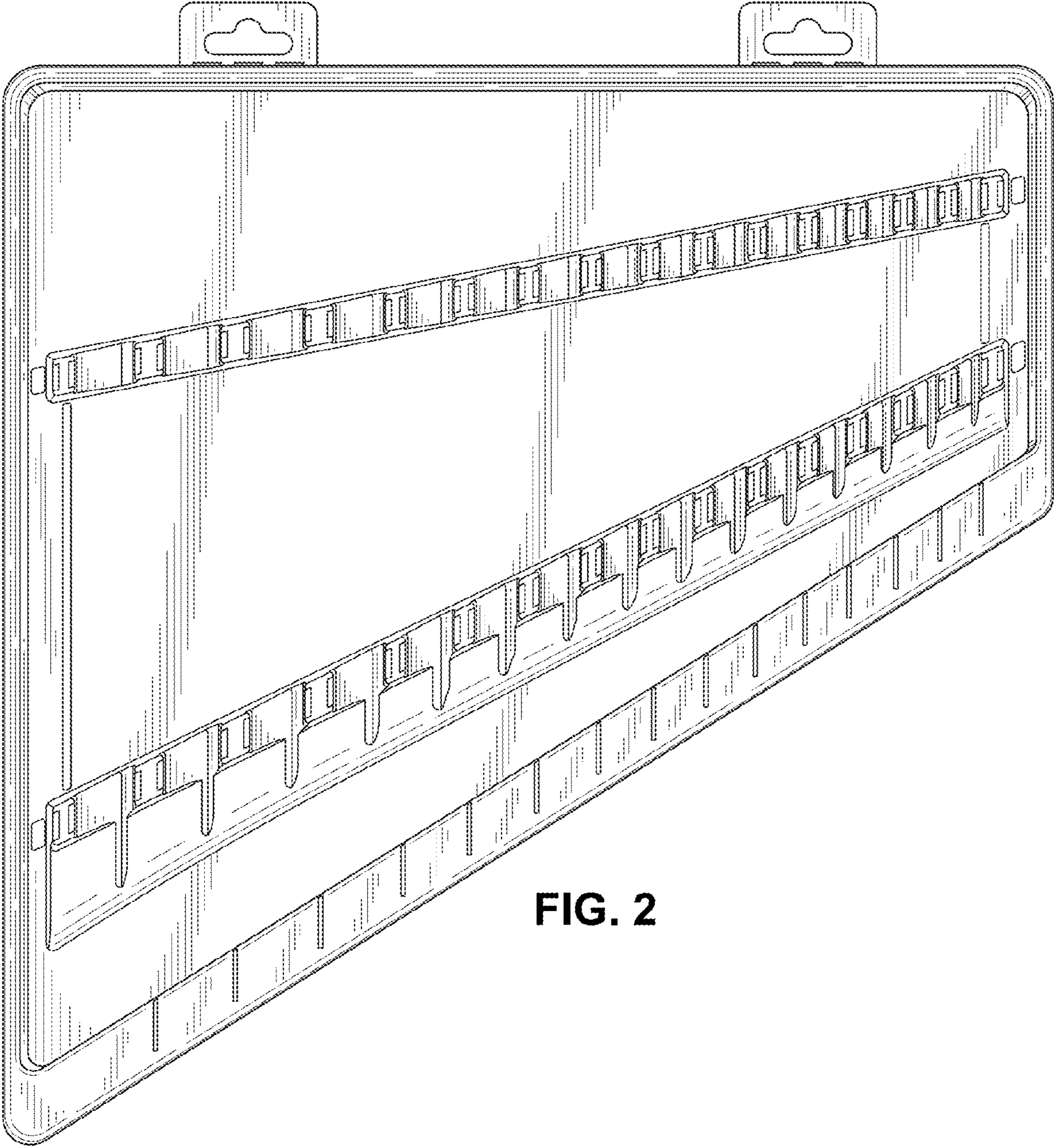


FIG. 2

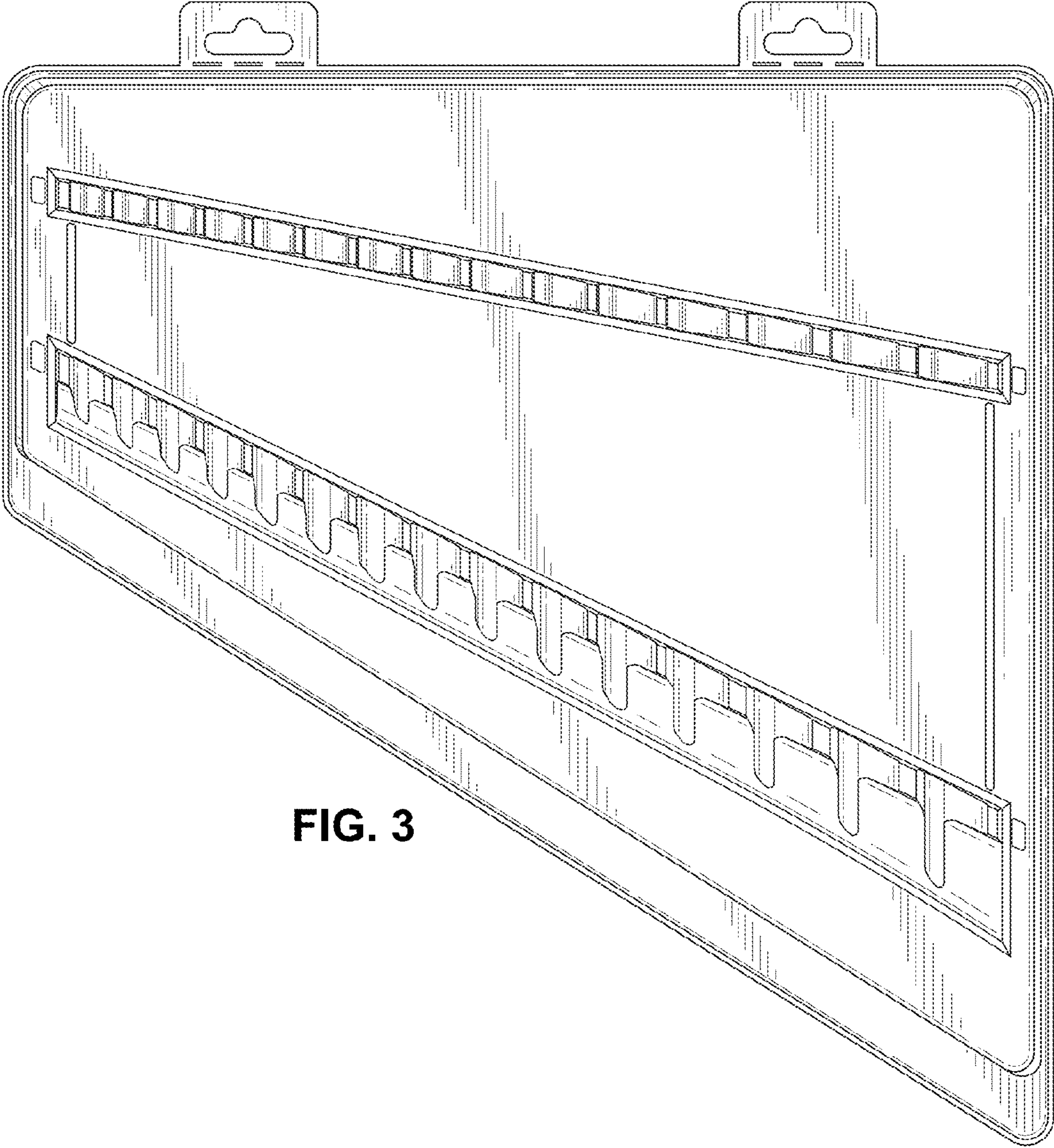


FIG. 3

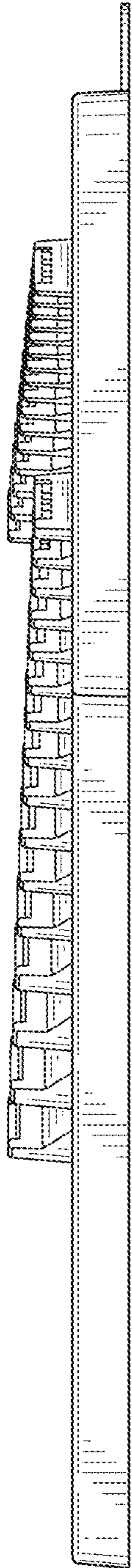


FIG. 4

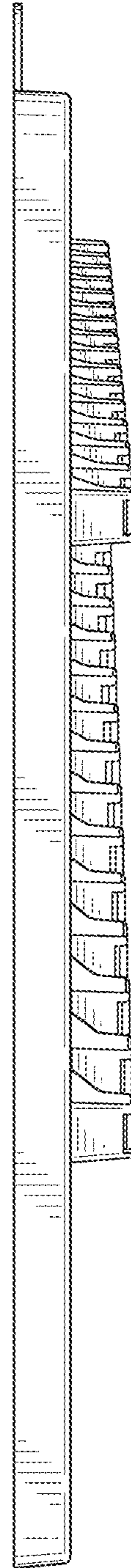


FIG. 5

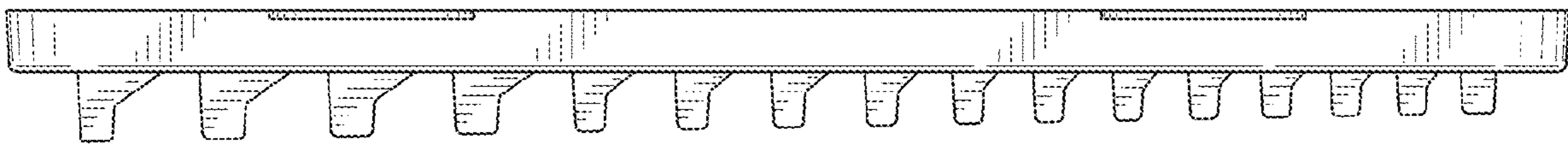


FIG. 6

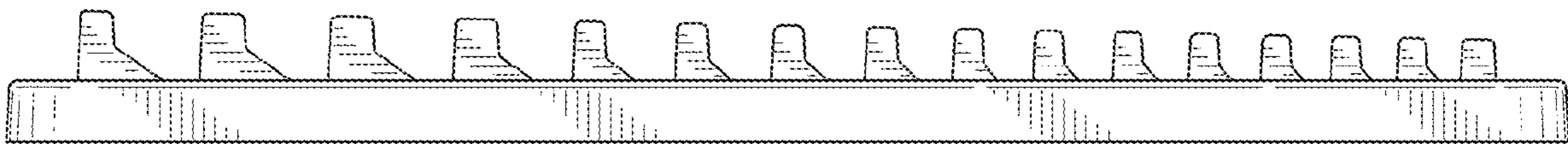


FIG. 7

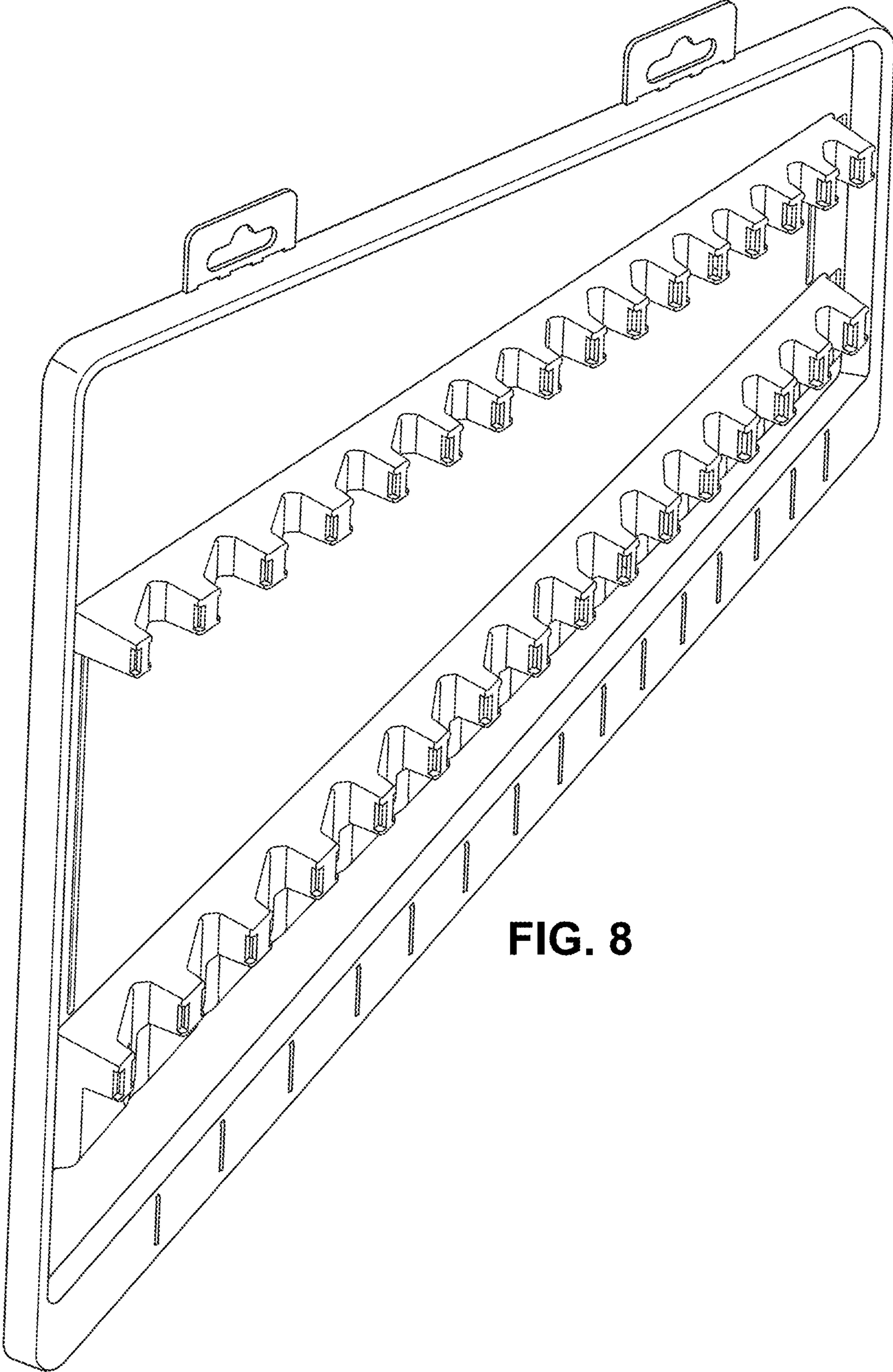


FIG. 8

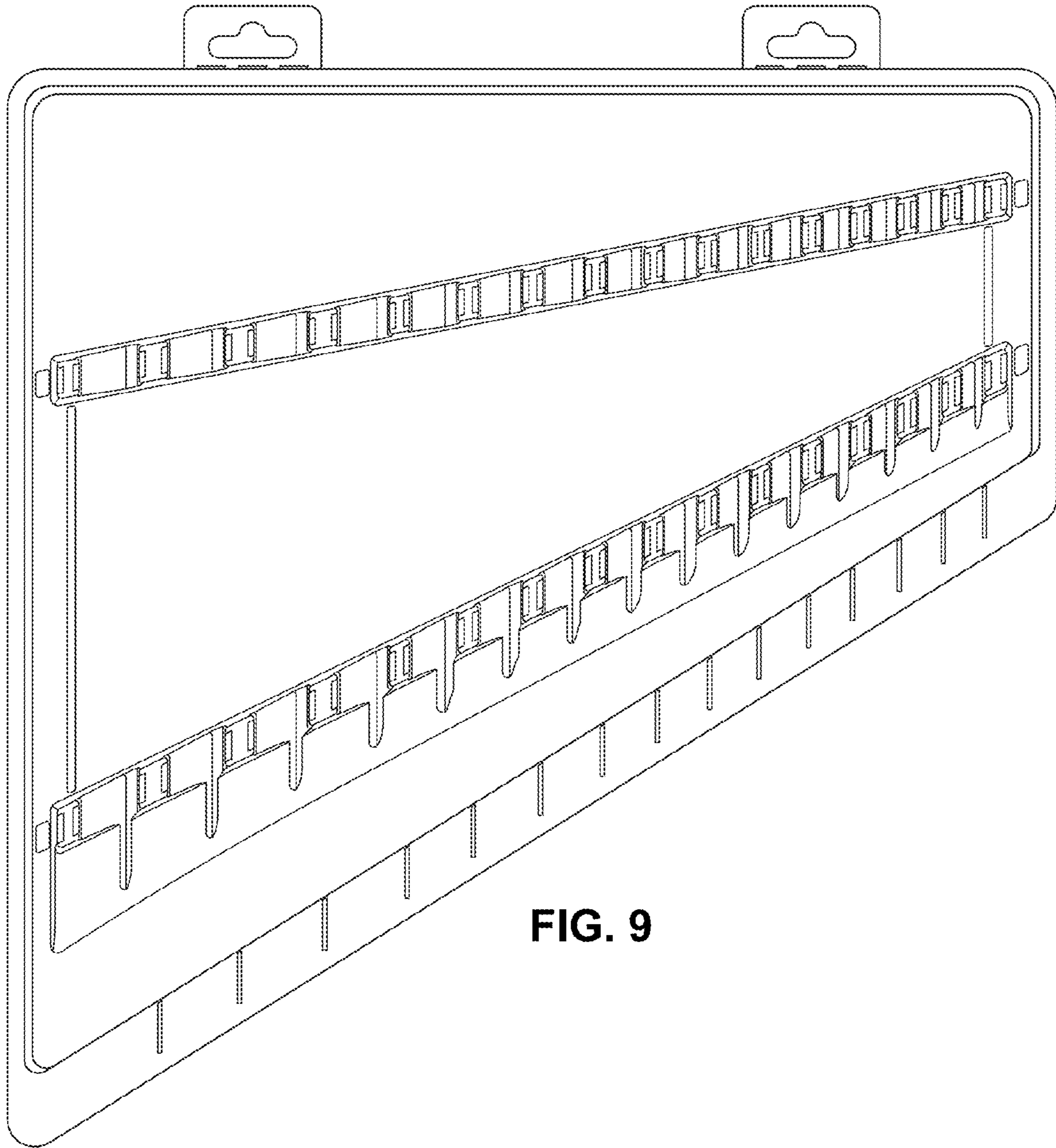


FIG. 9

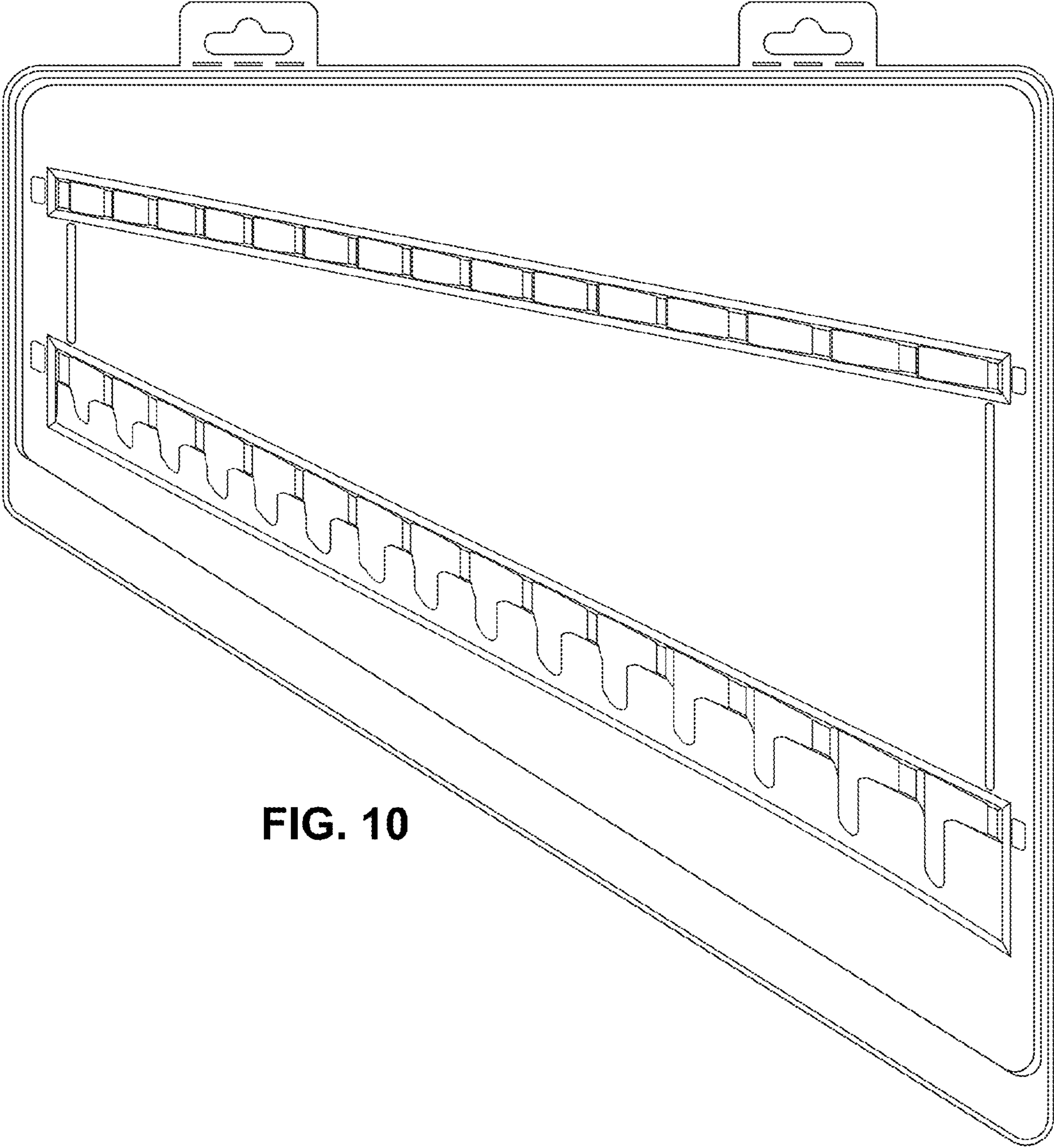


FIG. 10

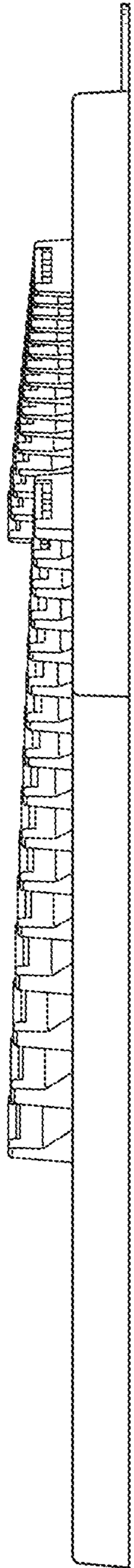


FIG. 11

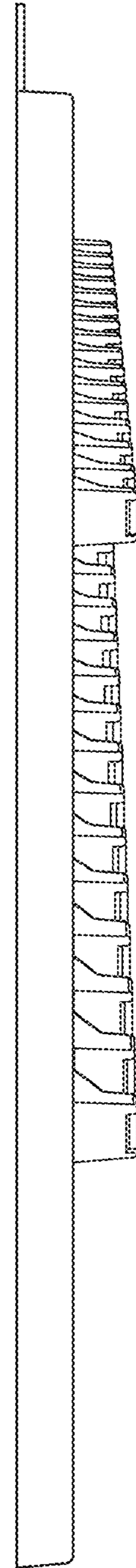


FIG. 12

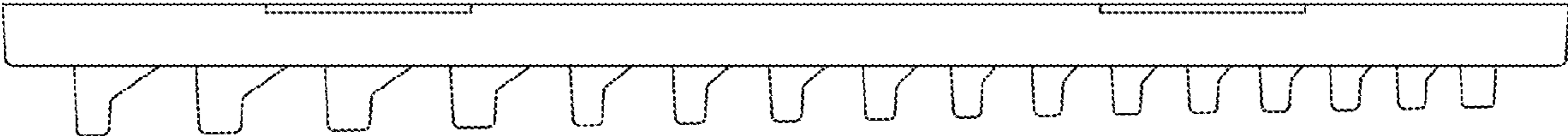


FIG. 13

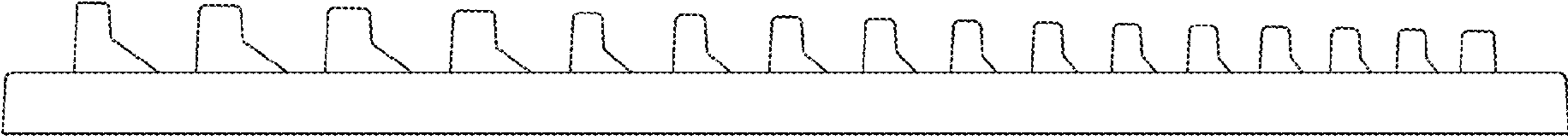


FIG. 14