



US00D896051S

(12) **United States Design Patent** (10) **Patent No.:** **US D896,051 S**  
**Hyma et al.** (45) **Date of Patent:** **\*\* Sep. 15, 2020**

(54) **WRENCH SET HOLDER AND DISPLAY**

(71) Applicant: **Milwaukee Electric Tool Corporation**,  
Brookfield, WI (US)

(72) Inventors: **Steven W. Hyma**, Milwaukee, WI  
(US); **Scott M. Hangartner**, Hartland,  
WI (US); **Joseph M. DeBaker**,  
Greenfield, WI (US)

(73) Assignee: **Milwaukee Electric Tool Corporation**,  
Brookfield, WI (US)

(\*\*) Term: **15 Years**

(21) Appl. No.: **29/729,795**

(22) Filed: **Mar. 30, 2020**

**Related U.S. Application Data**

(60) Division of application No. 29/677,663, filed on Jan.  
23, 2019, now Pat. No. Des. 883,060, which is a  
(Continued)

(51) **LOC (12) Cl.** ..... **08-71**

(52) **U.S. Cl.**  
USPC ..... **D8/71**

(58) **Field of Classification Search**  
USPC ..... D8/71; 206/349, 372, 373, 376, 378,  
206/565; D3/315, 905, 276, 228  
(Continued)

(56) **References Cited**

**U.S. PATENT DOCUMENTS**

4,911,297 A 3/1990 Suburu  
D356,462 S \* 3/1995 Ko ..... D6/570  
(Continued)

**FOREIGN PATENT DOCUMENTS**

CN 2292003 9/1998  
CN 2334552 8/1999

(Continued)

**OTHER PUBLICATIONS**

Taiwan Patent Office Action for Application No. 103305336 dated  
Feb. 23, 2018 (4 pages including Statement of Relevance).

(Continued)

*Primary Examiner* — Keli L Hill

*Assistant Examiner* — Harold E Blackwell, II

(74) *Attorney, Agent, or Firm* — Reinhart Boerner Van  
Deuren s.c.

(57) **CLAIM**

We claim the ornamental design for a wrench set holder and  
display, as shown and described.

**DESCRIPTION**

FIG. 1 is a perspective view of a wrench set holder and  
display according to an embodiment of the invention.

FIG. 2 is a front side view of the holder and display shown  
in FIG. 1.

FIG. 3 is a back side view of the holder and display shown  
in FIG. 1.

FIG. 4 is a right side view of the holder and display shown  
in FIG. 1.

FIG. 5 is a left side view of the holder and display shown in  
FIG. 1.

FIG. 6 is a top side view of the holder and display shown in  
FIG. 1.

FIG. 7 is a bottom side view of the holder and display shown  
in FIG. 1.

FIG. 8 is a perspective view of a wrench set holder and  
display according to an embodiment of the invention.

FIG. 9 is a front side view of the holder and display shown  
in FIG. 8.

FIG. 10 is a back side view of the holder and display shown  
in FIG. 8.

FIG. 11 is a right side view of the holder and display shown  
in FIG. 8.

FIG. 12 is a left side view of the holder and display shown  
in FIG. 8.

FIG. 13 is a top side view of the holder and display shown  
in FIG. 8; and,

(Continued)

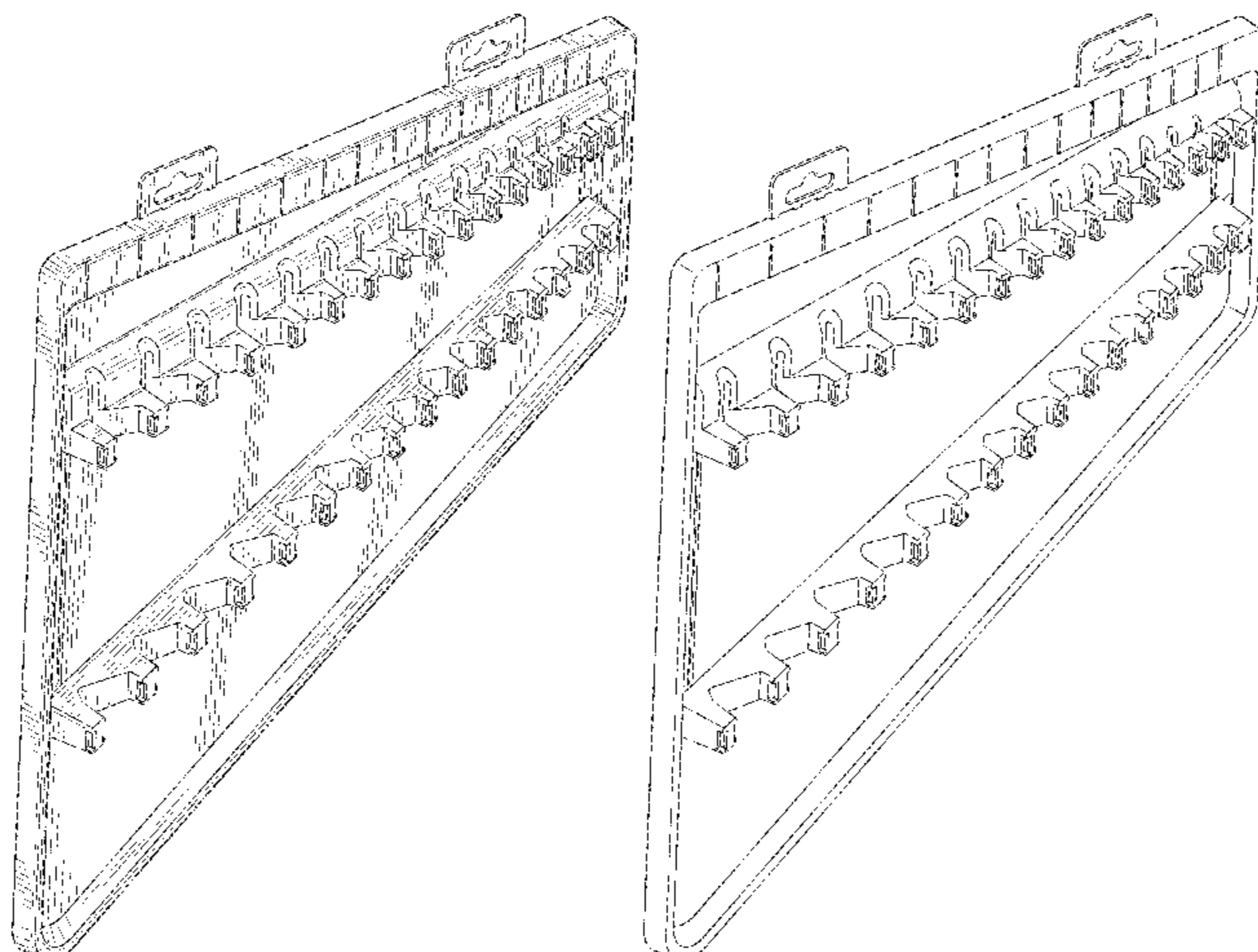


FIG. 14 is a bottom side view of the holder and display shown in FIG. 8.

**1 Claim, 10 Drawing Sheets**

**Related U.S. Application Data**

continuation of application No. 29/597,077, filed on Mar. 14, 2017, now abandoned.

(58) **Field of Classification Search**

CPC ..... B25H 3/04; B25H 1/10; A47F 1/00  
See application file for complete search history.

(56) **References Cited**

U.S. PATENT DOCUMENTS

5,598,924	A	2/1997	McCann	
5,638,964	A	6/1997	Ernst	
D392,489	S *	3/1998	Ernst .....	D25/131
D412,617	S	8/1999	Kopala, Jr.	
5,931,299	A	8/1999	Hsieh	
D433,613	S	11/2000	Jialin	
6,315,121	B1 *	11/2001	Hansen .....	B25H 3/04 206/376
6,857,527	B2	2/2005	Hu	
7,080,733	B2	7/2006	Kao	
D528,797	S *	9/2006	Singh .....	D3/315
7,175,032	B2 *	2/2007	Ling .....	A47F 7/00 211/70.6
D541,612	S	5/2007	Lin et al.	
D551,456	S *	9/2007	Singh .....	D3/315
7,537,124	B2	5/2009	Chen	
7,584,845	B2	9/2009	Cheng	
7,987,975	B1	8/2011	Lee	
7,987,981	B1	8/2011	Lee	

8,038,020	B2	10/2011	Vecchio et al.	
D652,280	S	1/2012	Huang	
8,261,911	B2 *	9/2012	Lee .....	B25H 3/04 206/372
8,403,155	B1	3/2013	Kao	
8,408,388	B1	4/2013	Chen	
D710,668	S	8/2014	Wu	
D734,612	S *	7/2015	Liu .....	D3/315
2002/0070185	A1	6/2002	Chen	
2005/0051446	A1	3/2005	Chen	
2005/0082323	A1	4/2005	O'Hair	
2006/0118500	A1	6/2006	Chen	
2010/0163502	A1	7/2010	Chang	
2012/0138497	A1	6/2012	Lee	
2016/0121478	A1	5/2016	Schein et al.	

FOREIGN PATENT DOCUMENTS

CN	205614630	10/2016
DE	202010008854	3/2011
DE	202010013102	3/2011
DE	202011000052	4/2011
DE	102011056947	11/2014
FR	2996159	2/2015
TW	376010	12/1991
TW	284657	8/1996
TW	293746	12/1996
TW	446514	7/2001
TW	200918261	5/2009
TW	I374076	10/2012
TW	I374077	10/2012
TW	I374078	10/2012

OTHER PUBLICATIONS

Taiwan Patent Office Action for Application No. 103305337 dated Feb. 23, 2018 (4 pages including Statement of Relevance).

\* cited by examiner

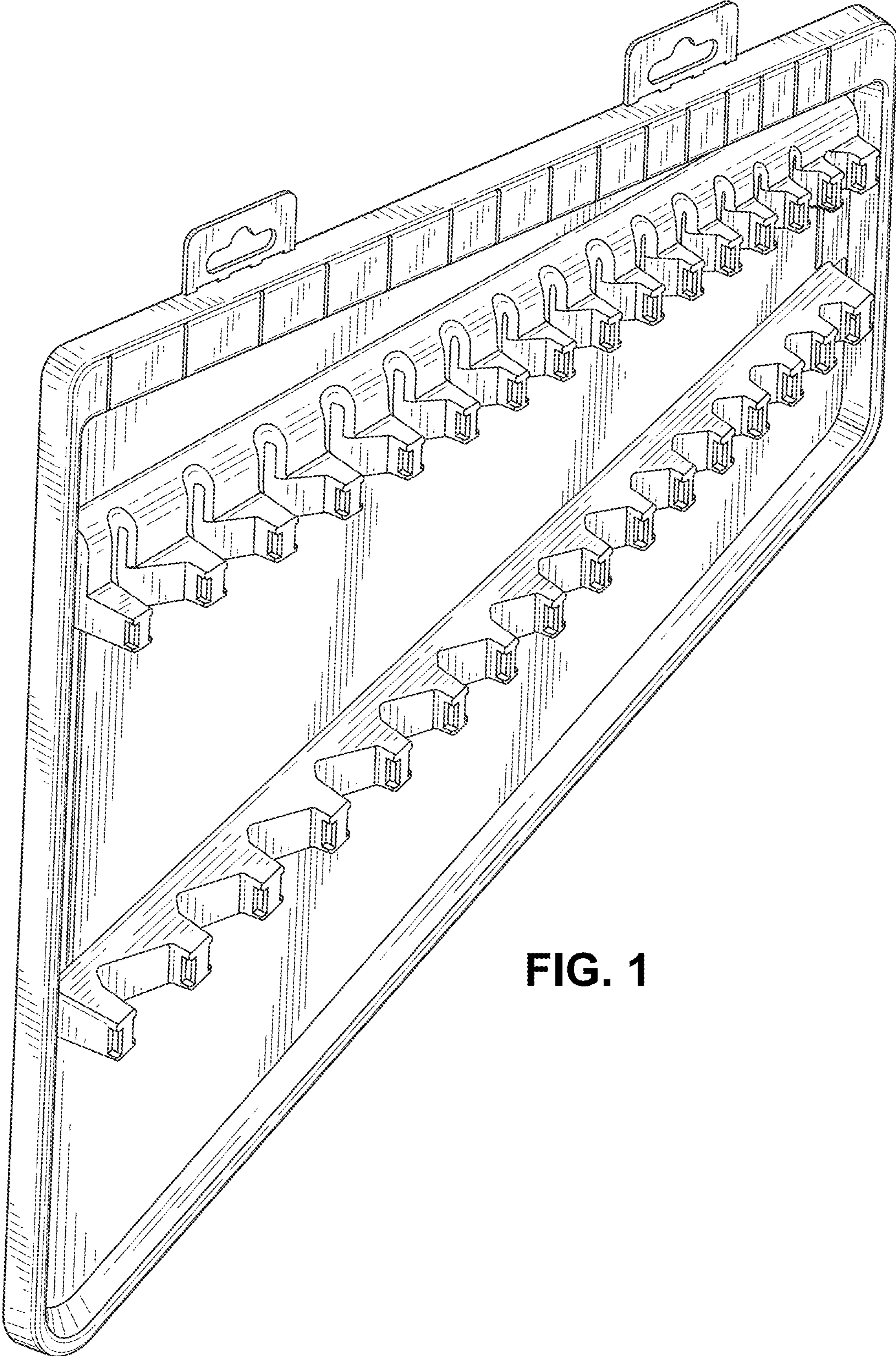


FIG. 1

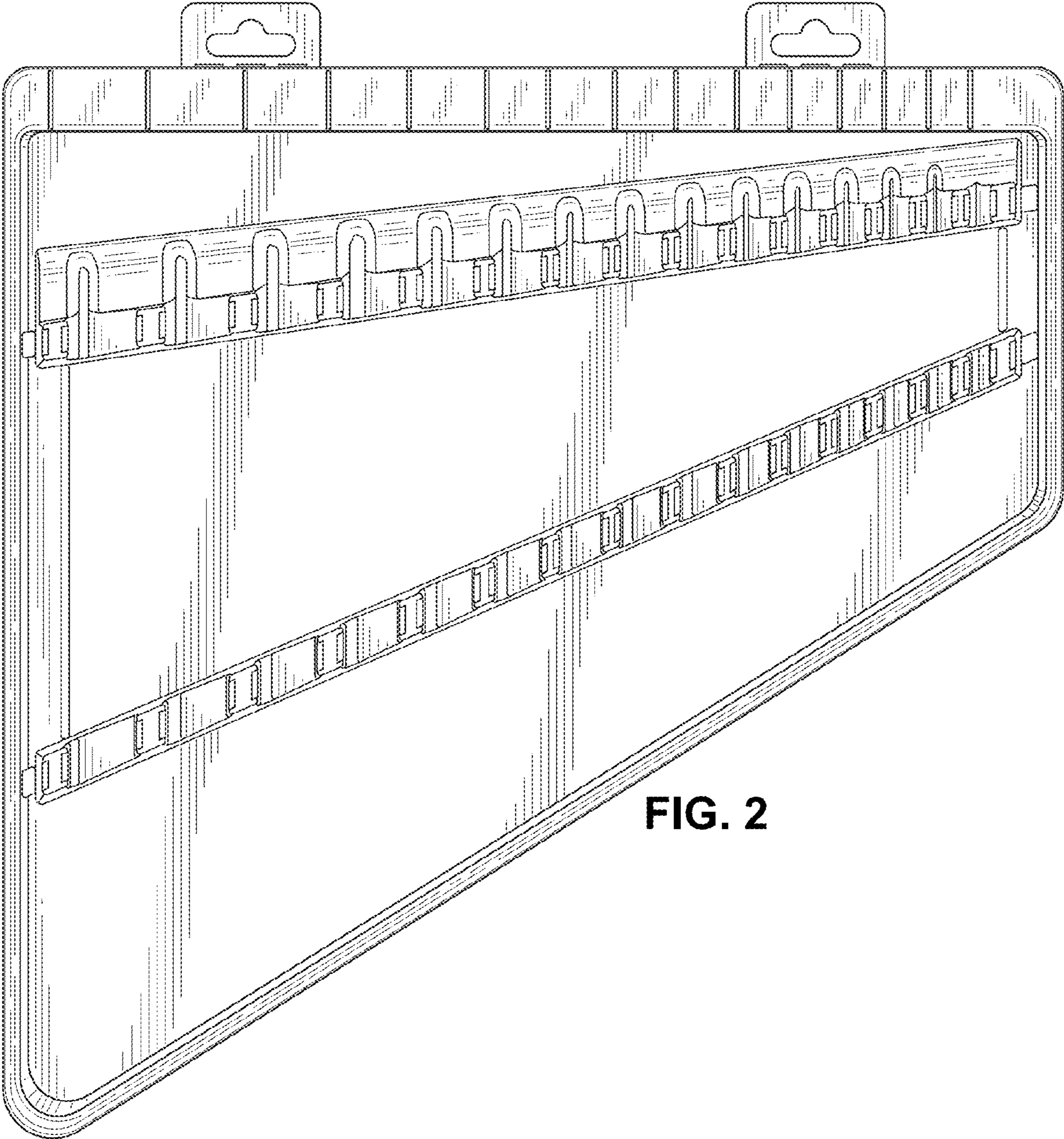


FIG. 2

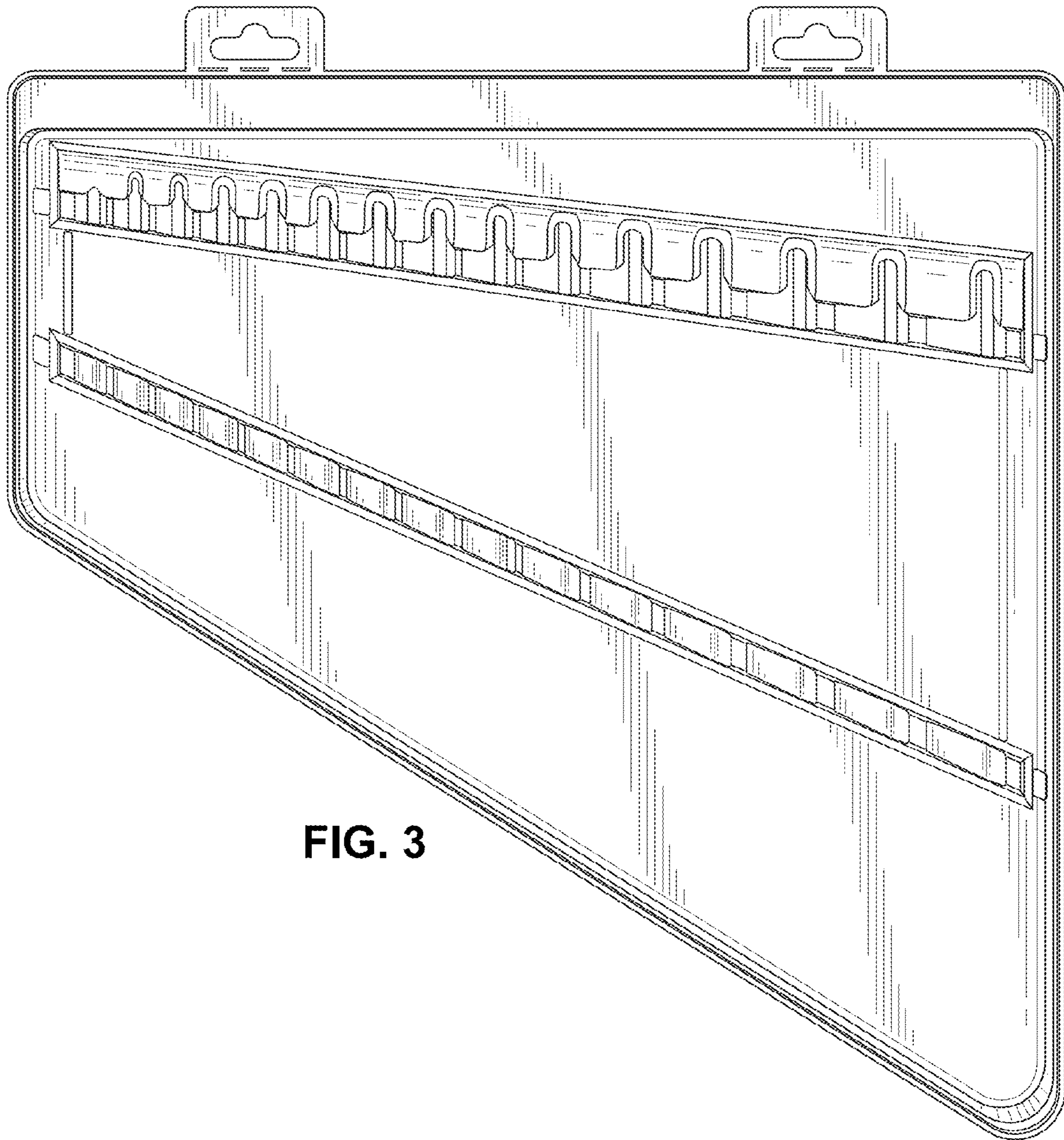


FIG. 3

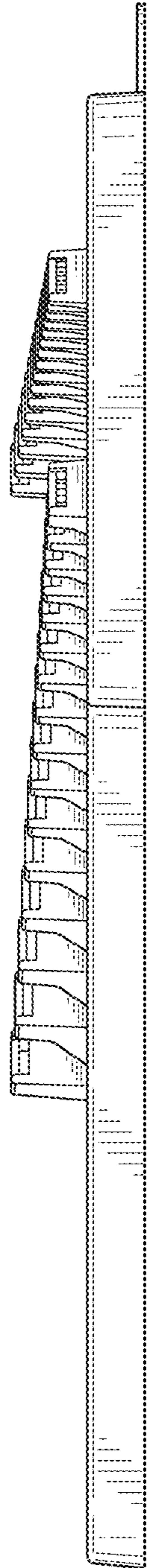


FIG. 4

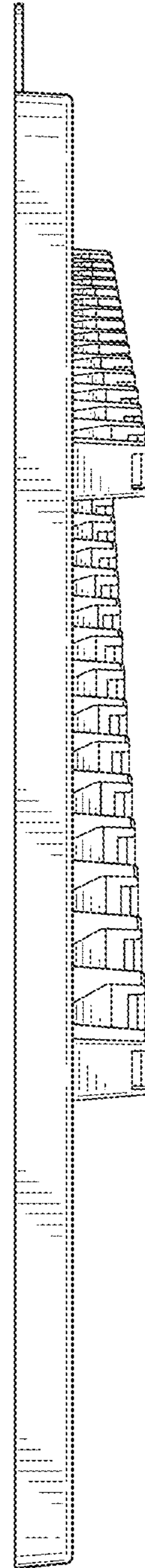


FIG. 5

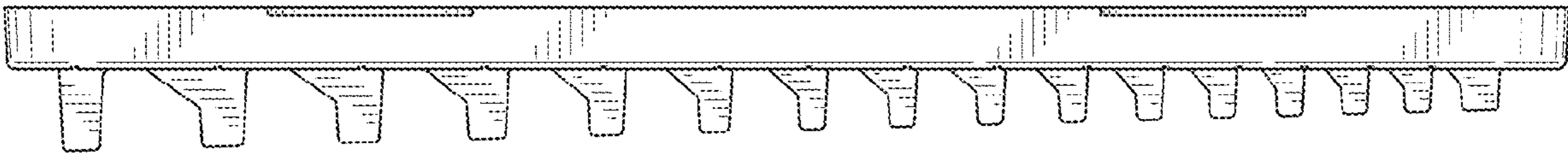


FIG. 6

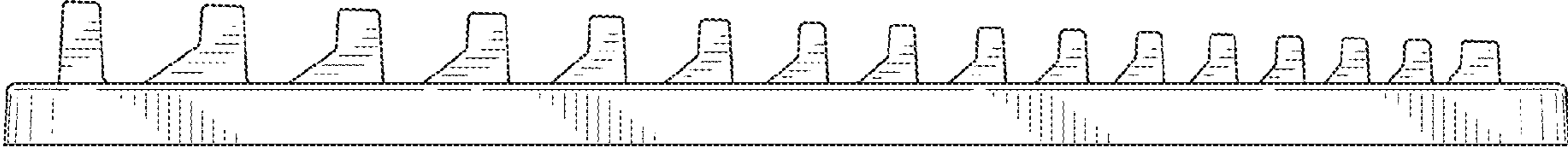
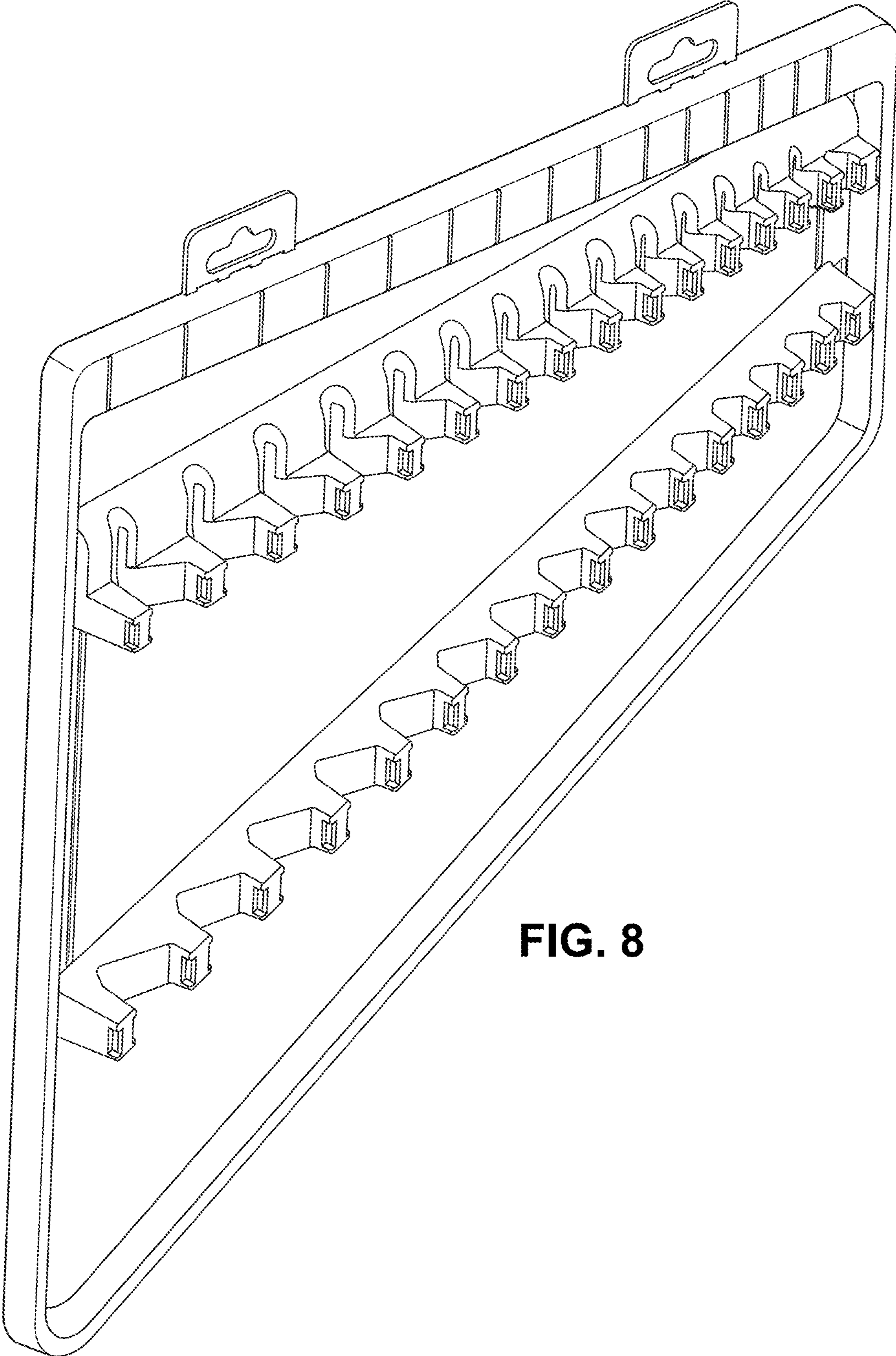


FIG. 7



**FIG. 8**



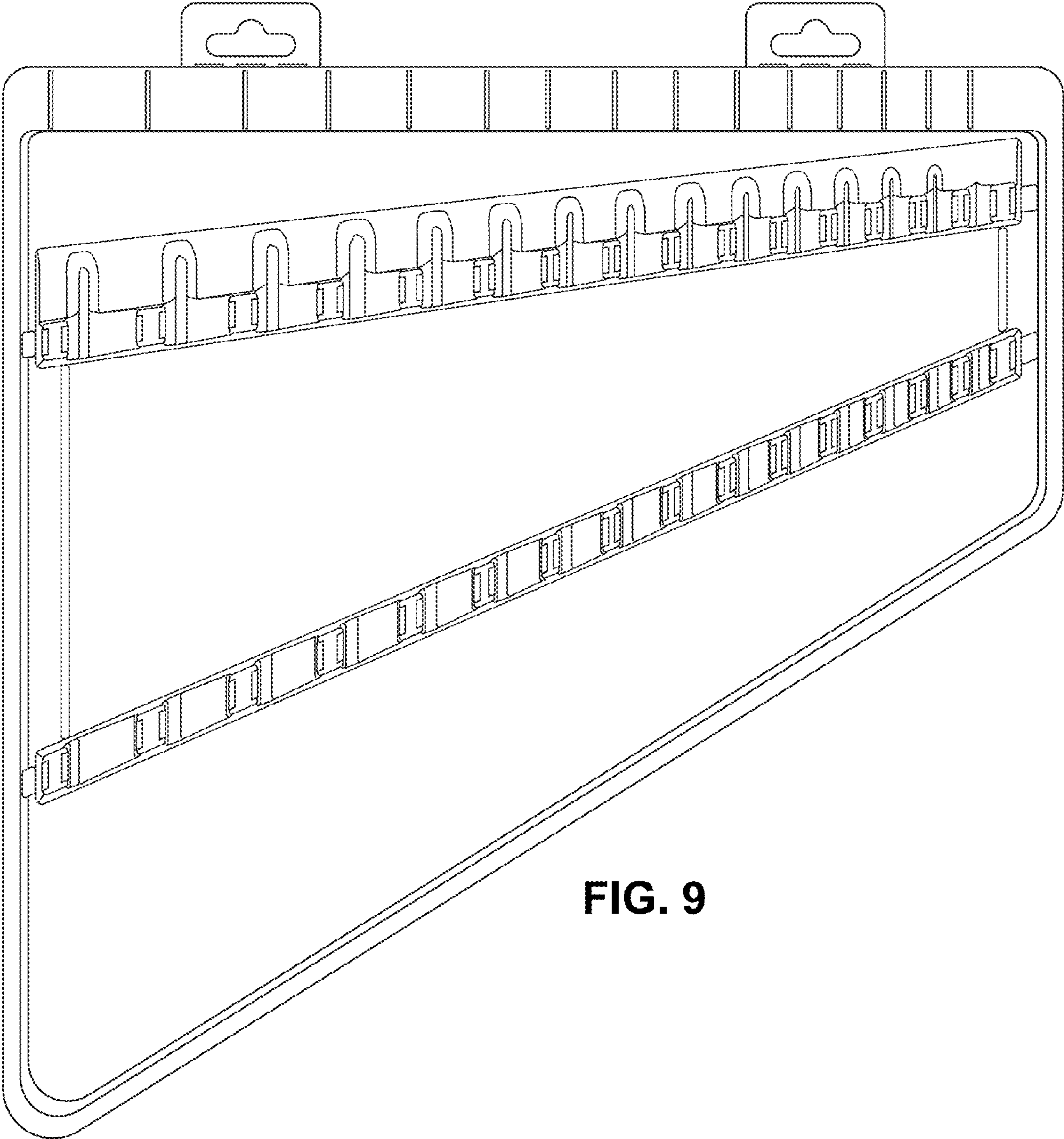


FIG. 9

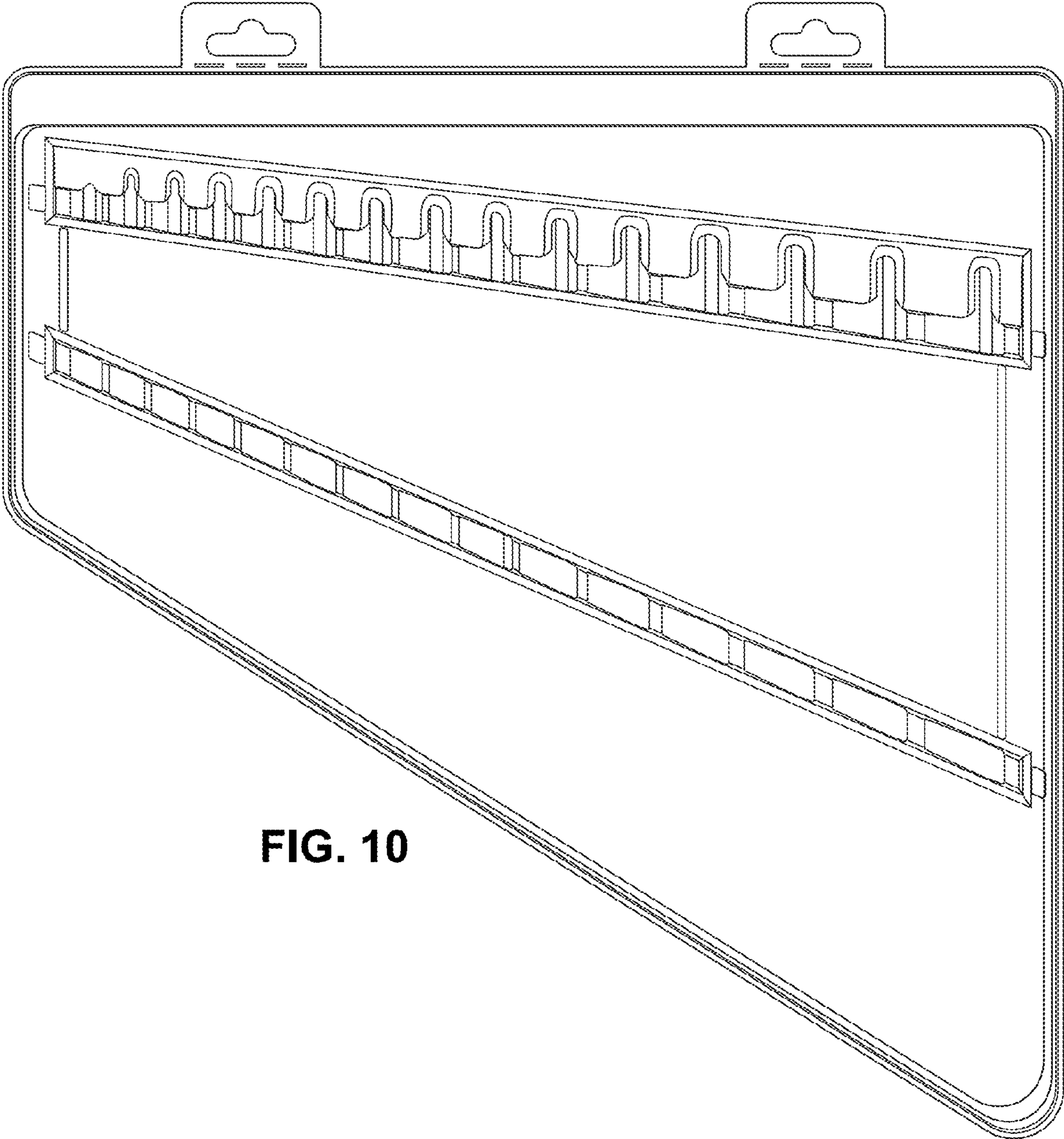


FIG. 10

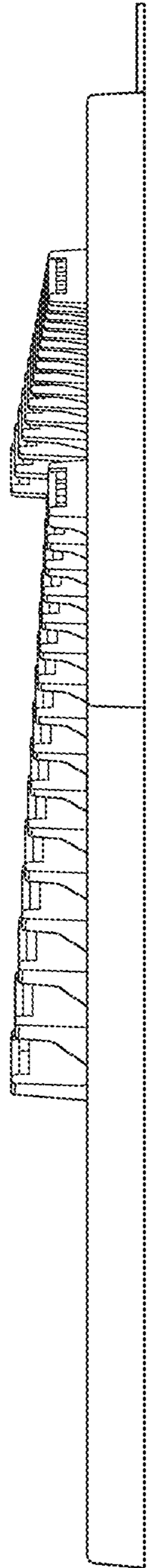


FIG. 11

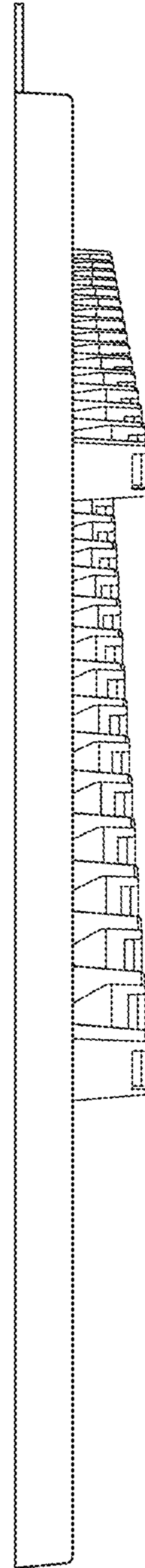
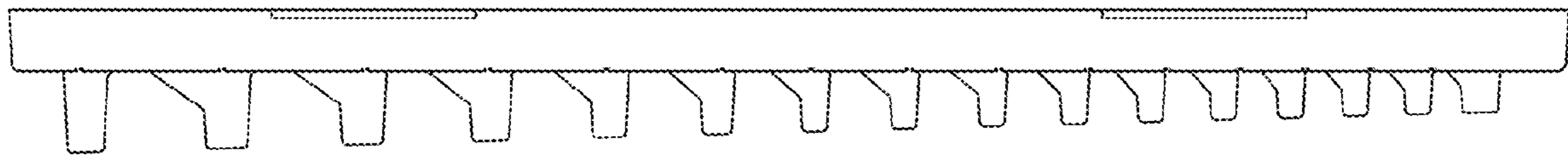
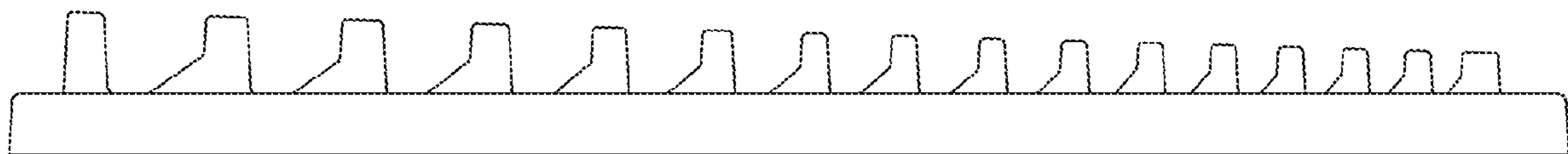


FIG. 12



**FIG. 13**



**FIG. 14**