



US00D896048S

(12) **United States Design Patent** (10) **Patent No.:** **US D896,048 S**
Walraven (45) **Date of Patent:** **** Sep. 15, 2020**

(54) ELECTRIC CAN OPENER	D520,313 S * 5/2006 Miller D8/36
	D587,078 S * 2/2009 Garman D8/36
(71) Applicant: Hamilton Beach Brands, Inc. , Glen Allen, VA (US)	D605,915 S * 12/2009 Garman D8/36
	D641,601 S * 7/2011 Bock D8/36
(72) Inventor: Patrick Walraven , Richmond, VA (US)	8,079,152 B2 * 12/2011 Garman B67B 7/16 30/400
	8,312,633 B2 * 11/2012 Garman B67B 7/16 30/400
(73) Assignee: Hamilton Beach Brands, Inc. , Glen Allen, VA (US)	D675,303 S * 1/2013 Raupach D23/364
	D787,657 S * 5/2017 Farone D23/356
	D794,855 S * 8/2017 Prestidge-Kadrlik D26/38
(**) Term: 15 Years	9,945,552 B2 * 4/2018 Johnson F21V 33/0036
(21) Appl. No.: 29/696,909	D820,423 S * 6/2018 Poindexter D23/364
	D850,017 S * 5/2019 Brucato D30/132
(22) Filed: Jul. 2, 2019	D851,472 S * 6/2019 Yingchen D8/42
	2009/0172888 A1 * 7/2009 Garman B67B 7/16 7/152

* cited by examiner

Related U.S. Application Data

- (63) Continuation of application No. 16/393,643, filed on Apr. 24, 2019.
 - (51) **LOC (12) Cl.** **07-99**
 - (52) **U.S. Cl.**
USPC **D8/36**
 - (58) **Field of Classification Search**
USPC D8/18, 33-43
CPC B67B 7/00; B67B 7/12; B67B 7/14; B67B 7/16; B67B 7/164; B67B 7/18; B67B 7/182; B67B 7/20; B67B 7/30; B67B 7/38; B67B 7/44
- See application file for complete search history.

Primary Examiner — Elizabeth A. Albert
(74) *Attorney, Agent, or Firm* — Alexander D. Raring

(57) **CLAIM**

I claim the ornamental design for an electric can opener, as shown and described.

DESCRIPTION

FIG. 1 is a perspective view of an electric can opener, showing the new design.
 FIG. 2 is a front view thereof.
 FIG. 3 is a rear view thereof.
 FIG. 4 is a right side view thereof.
 FIG. 5 is a left side view thereof.
 FIG. 6 is a bottom view thereof; and,
 FIG. 7 is a top view thereof.

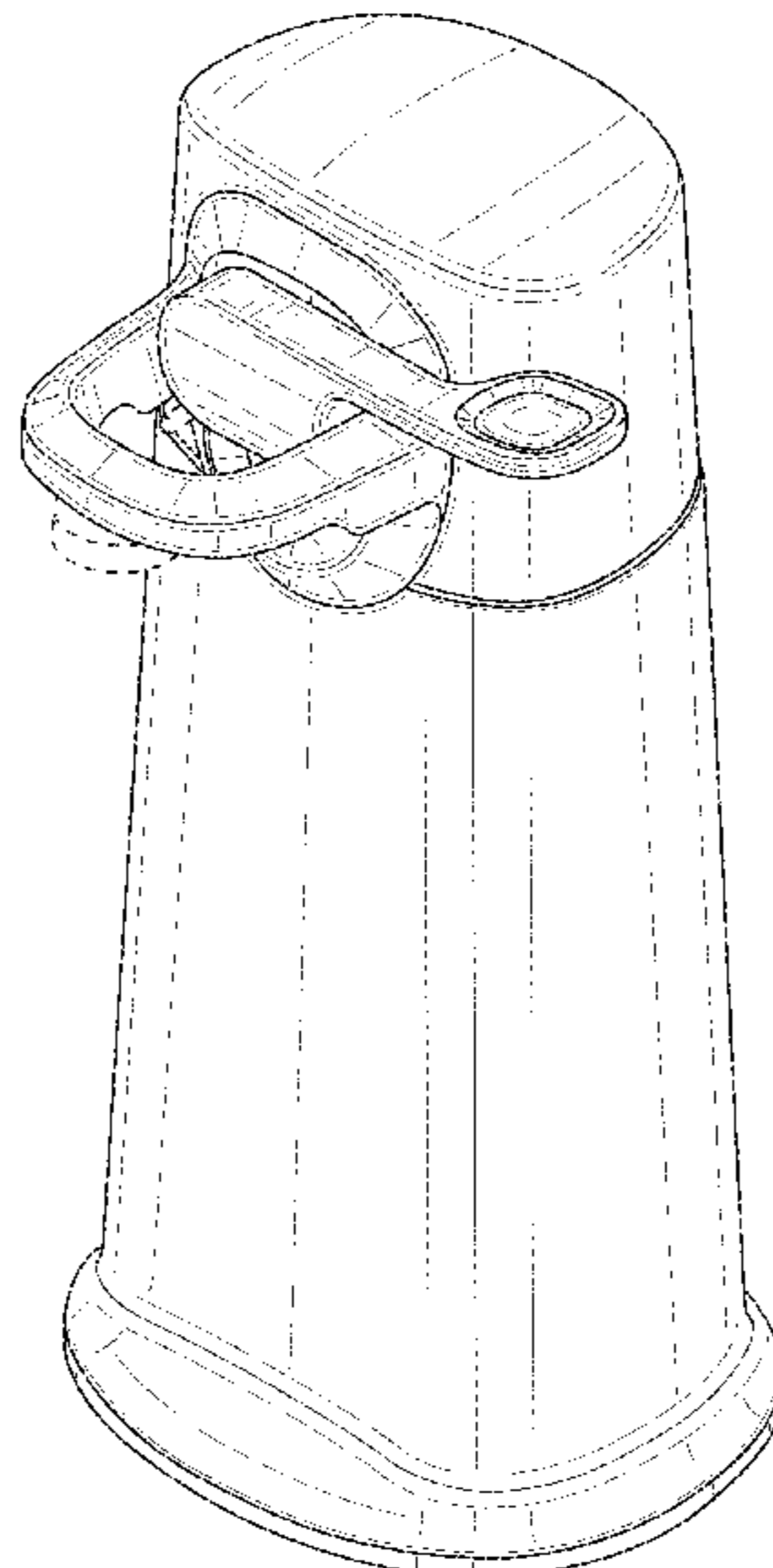
In the drawings, the broken lines shown in the figures depict unclaimed subject matter and form no part of the claimed design.

(56) **References Cited**

U.S. PATENT DOCUMENTS

D324,157 S * 2/1992 Gildersleve D8/35
5,313,708 A * 5/1994 Edwards B67B 7/38 30/417
D366,404 S * 1/1996 Indindoli D8/36
D408,235 S * 4/1999 Alonge D8/35
D428,564 S * 7/2000 Kao D7/374
6,470,521 B1 * 10/2002 Ancona B67B 7/38 211/70.6
D468,979 S * 1/2003 Picozza D8/35

1 Claim, 7 Drawing Sheets



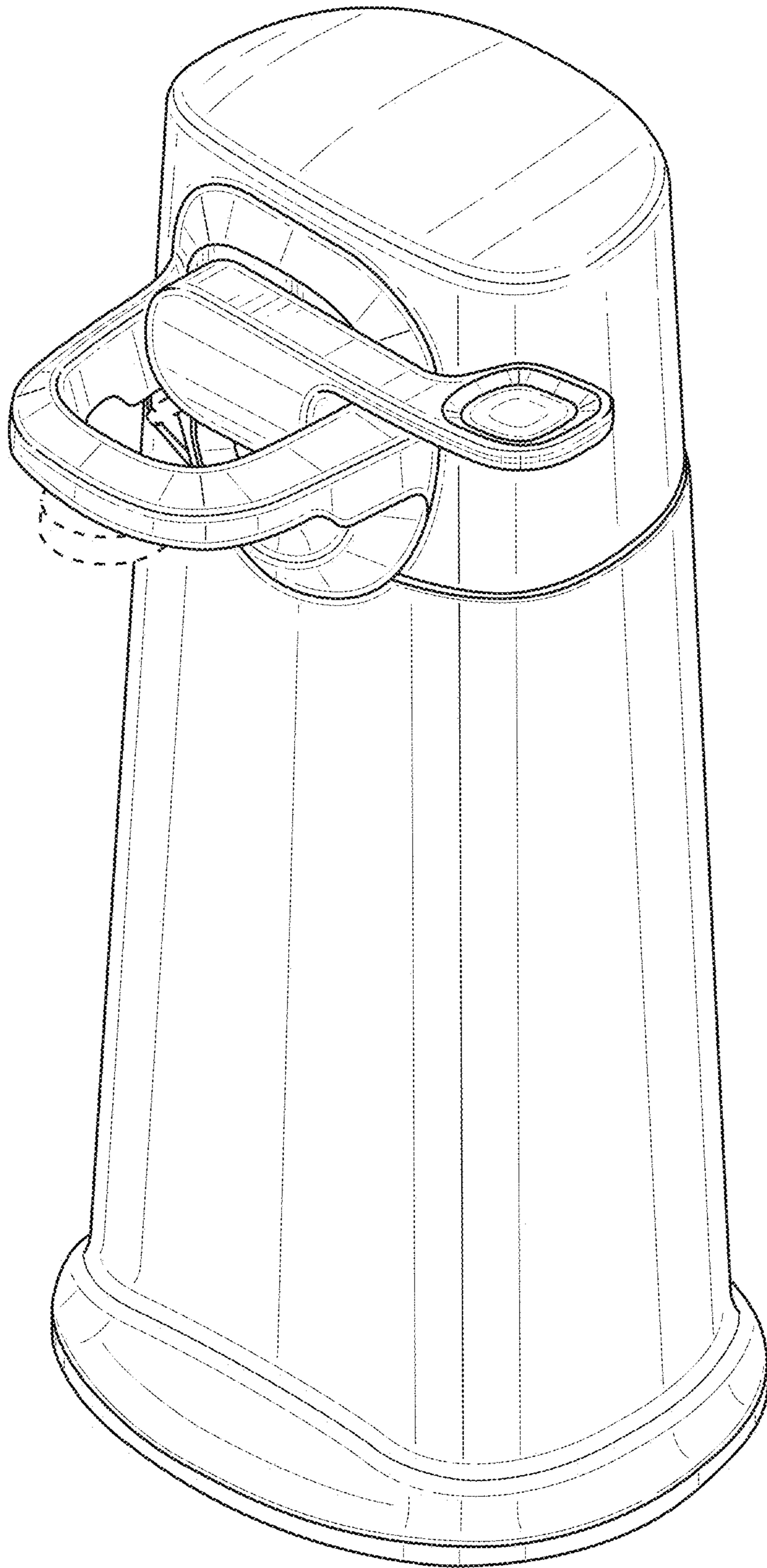


FIG. 1

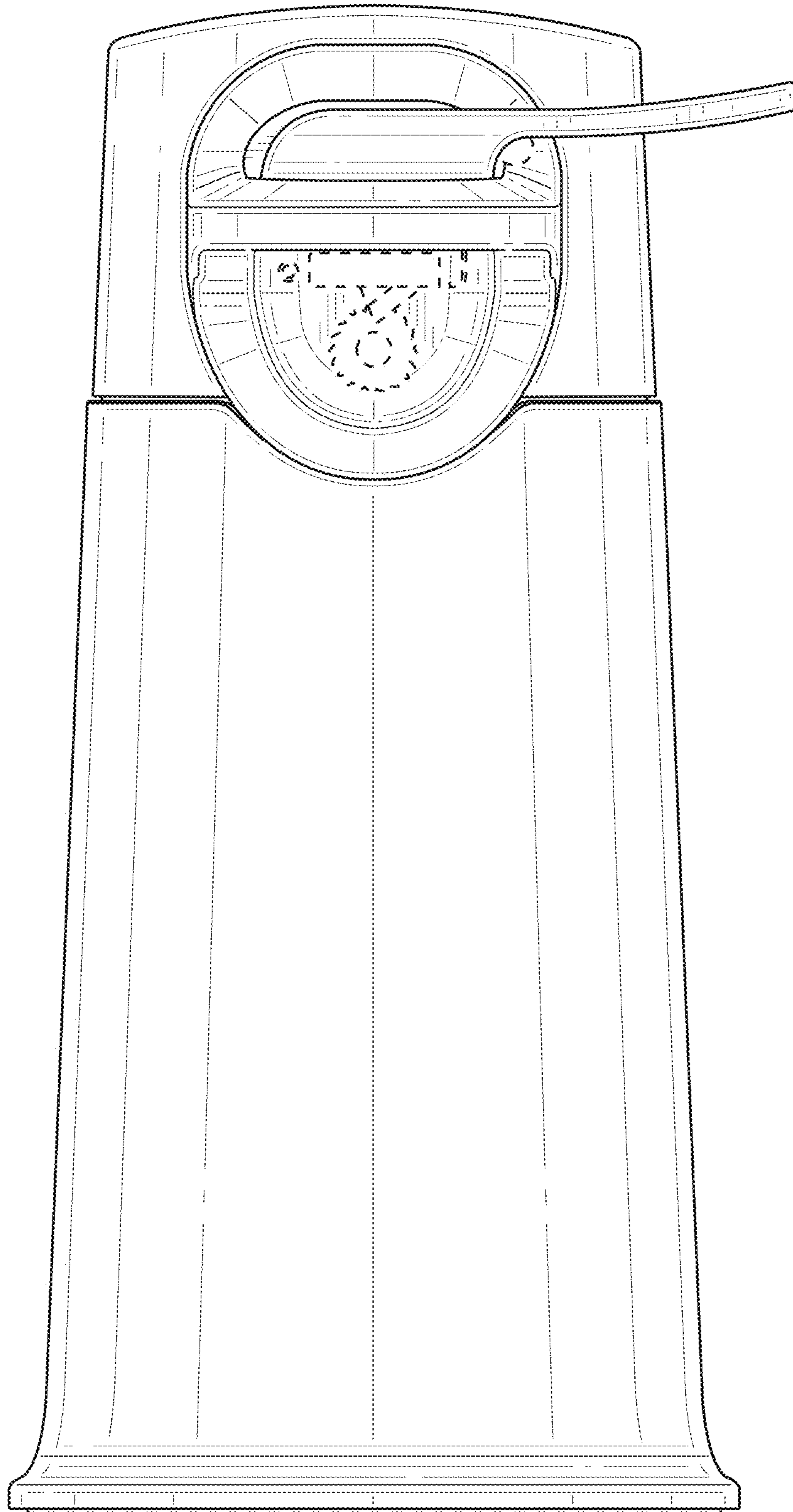


FIG. 2

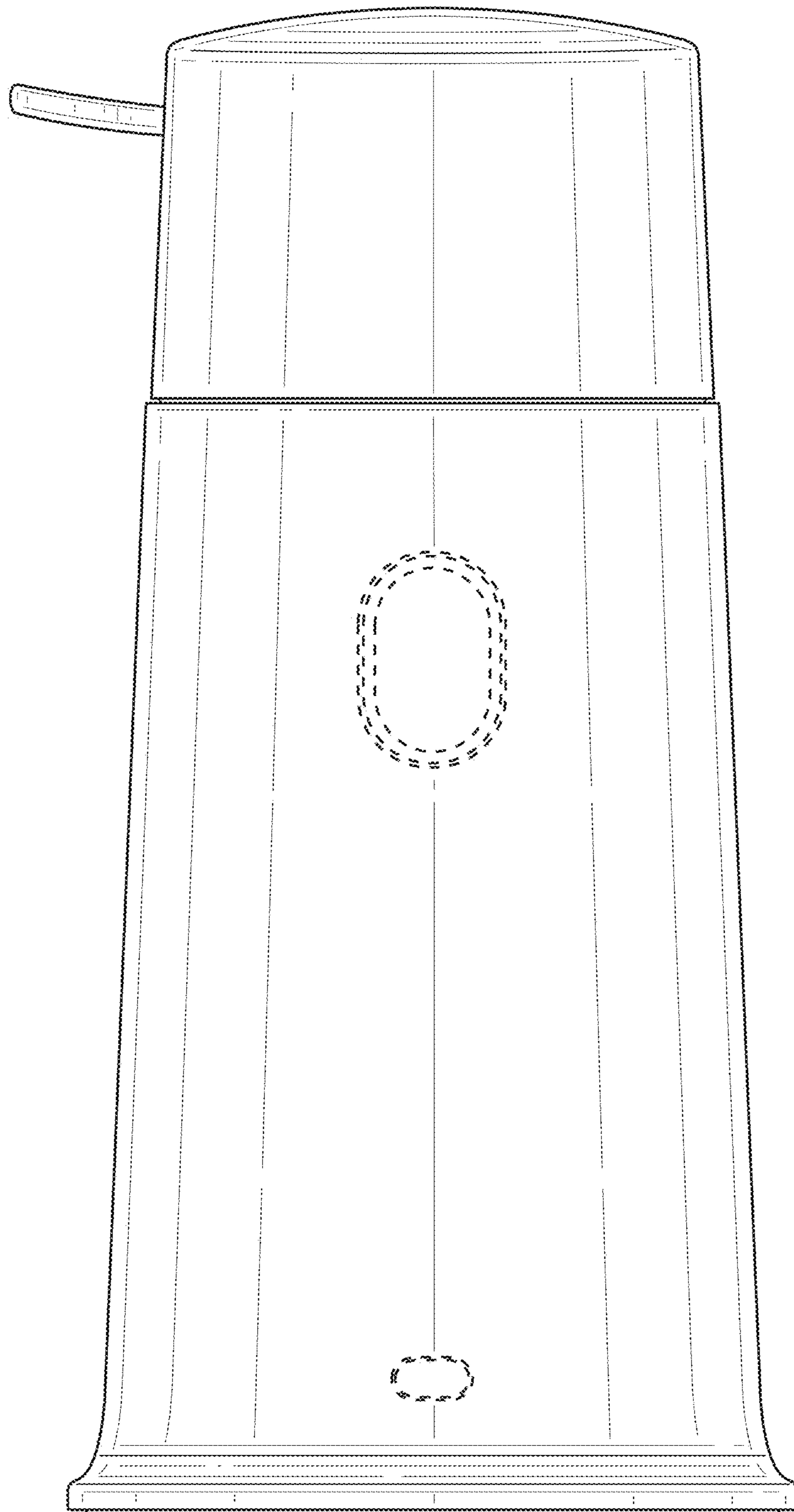


FIG. 3

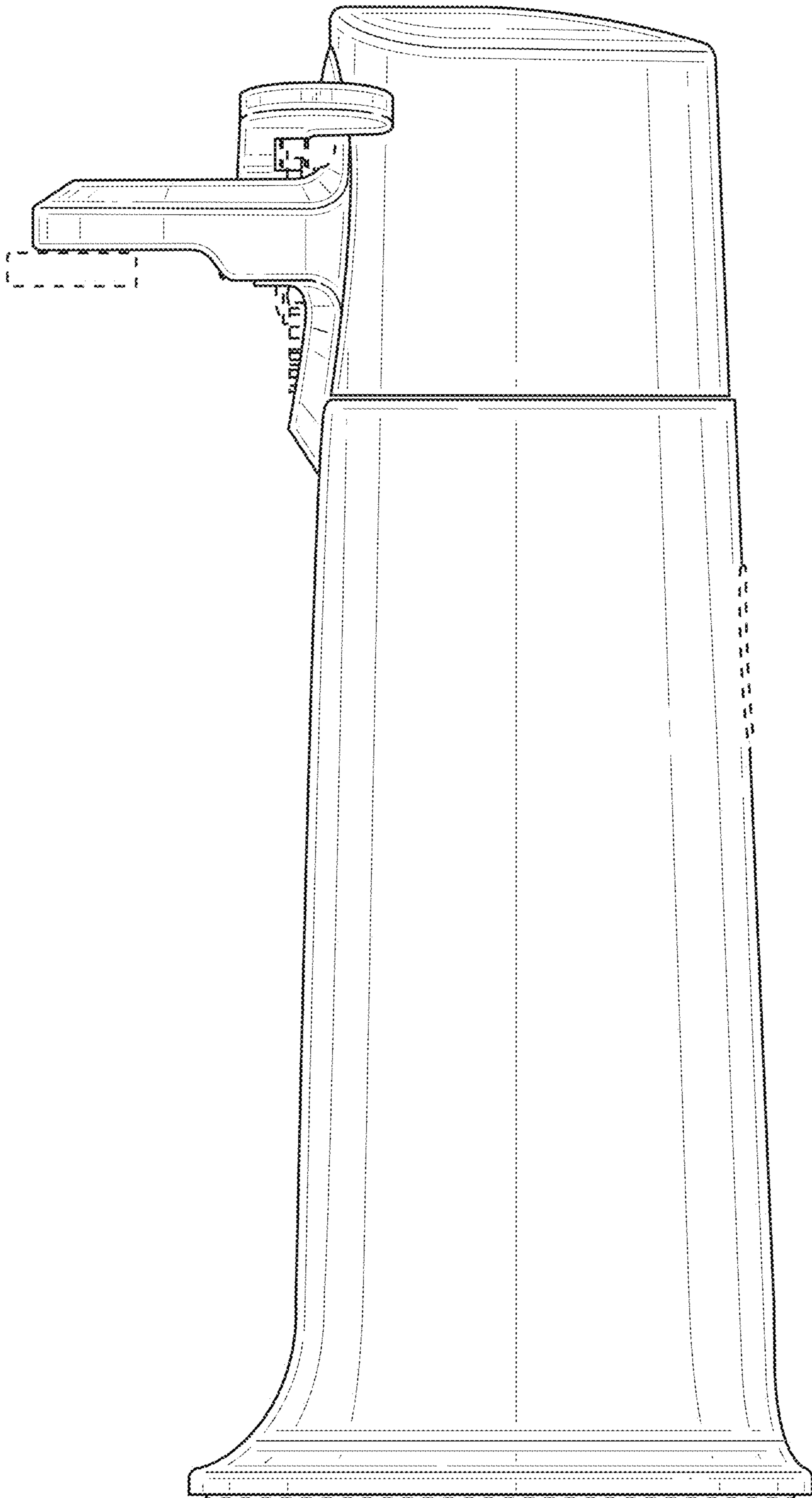


FIG. 4

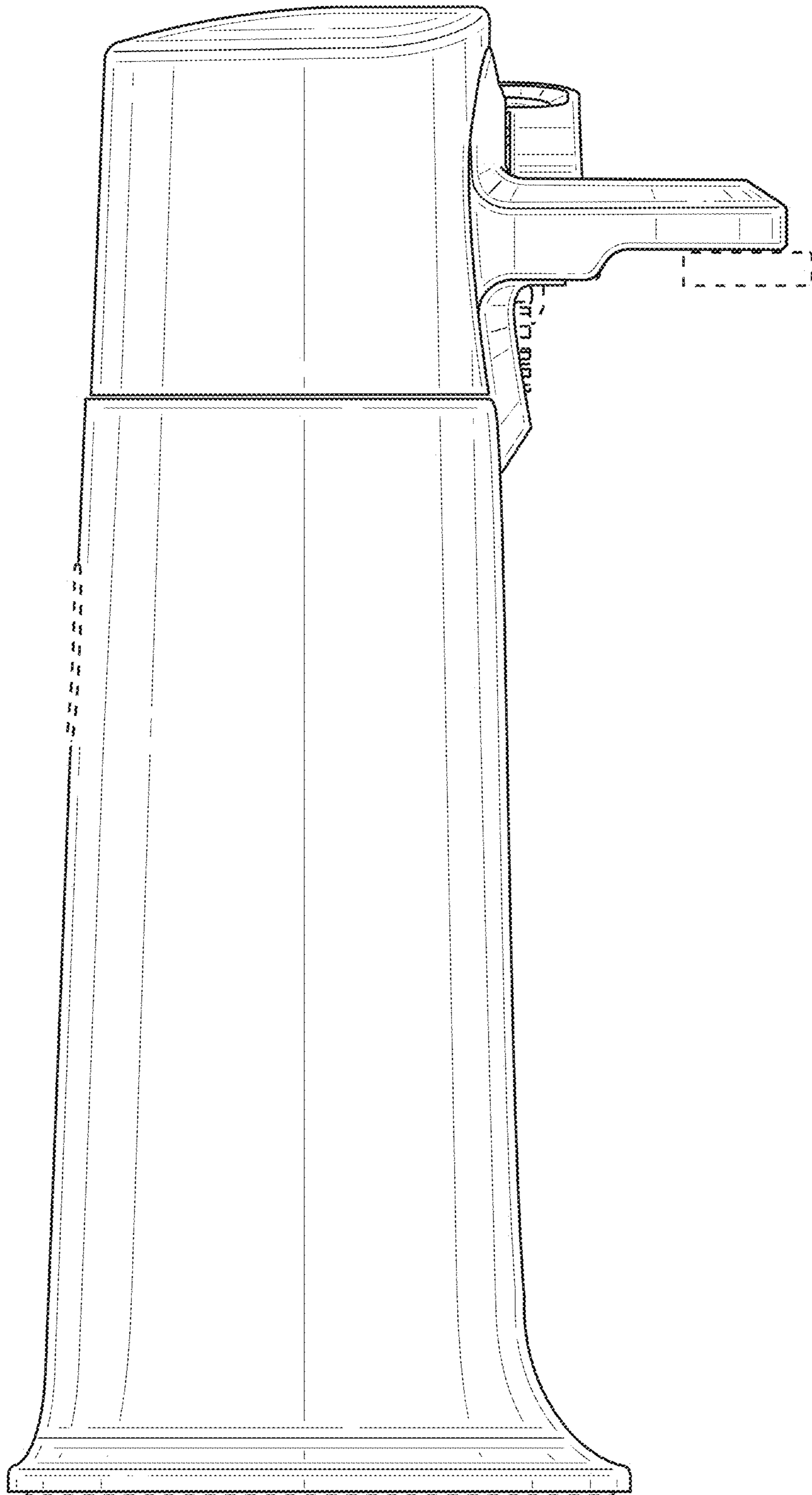


FIG. 5

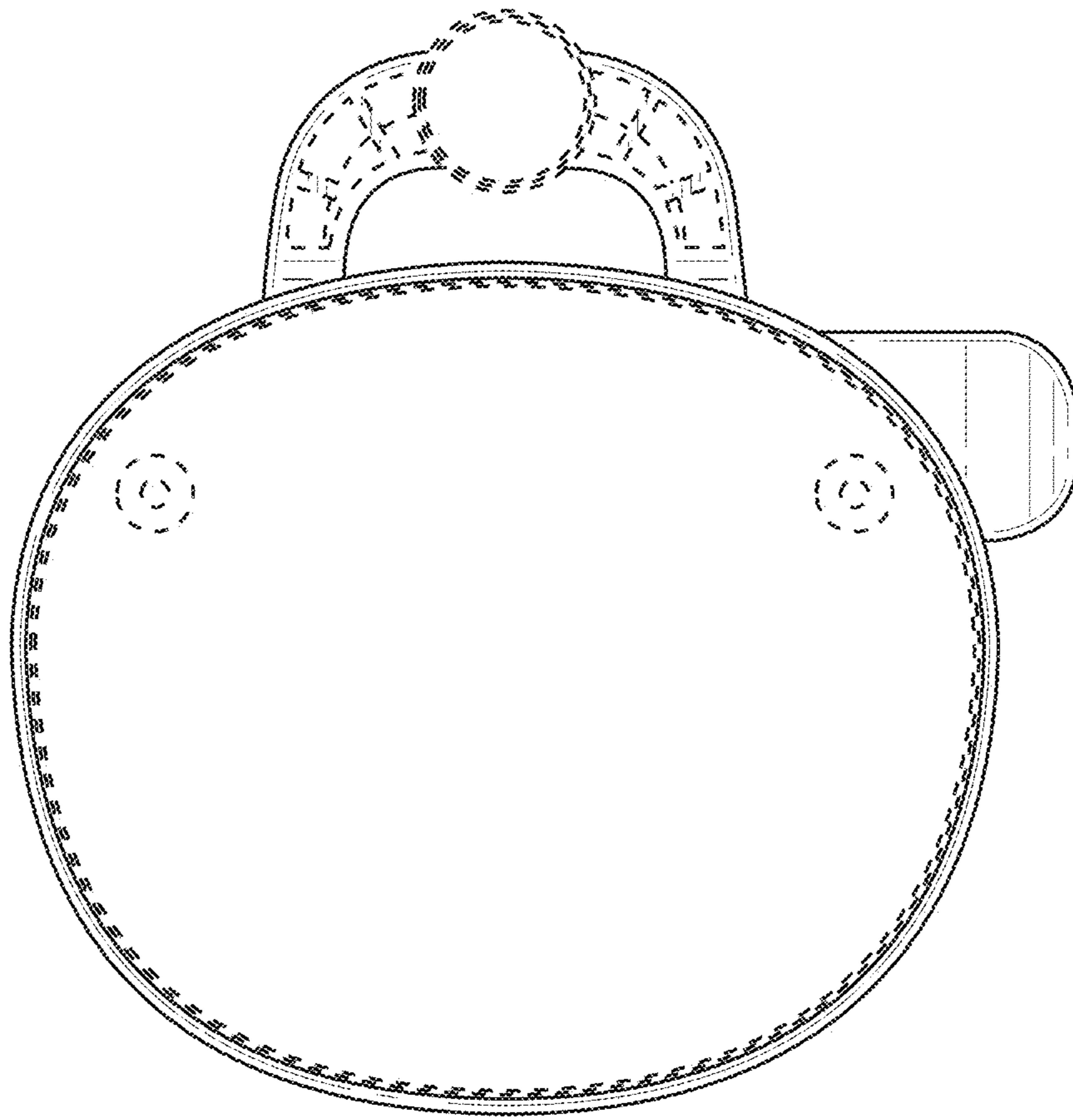


FIG. 6

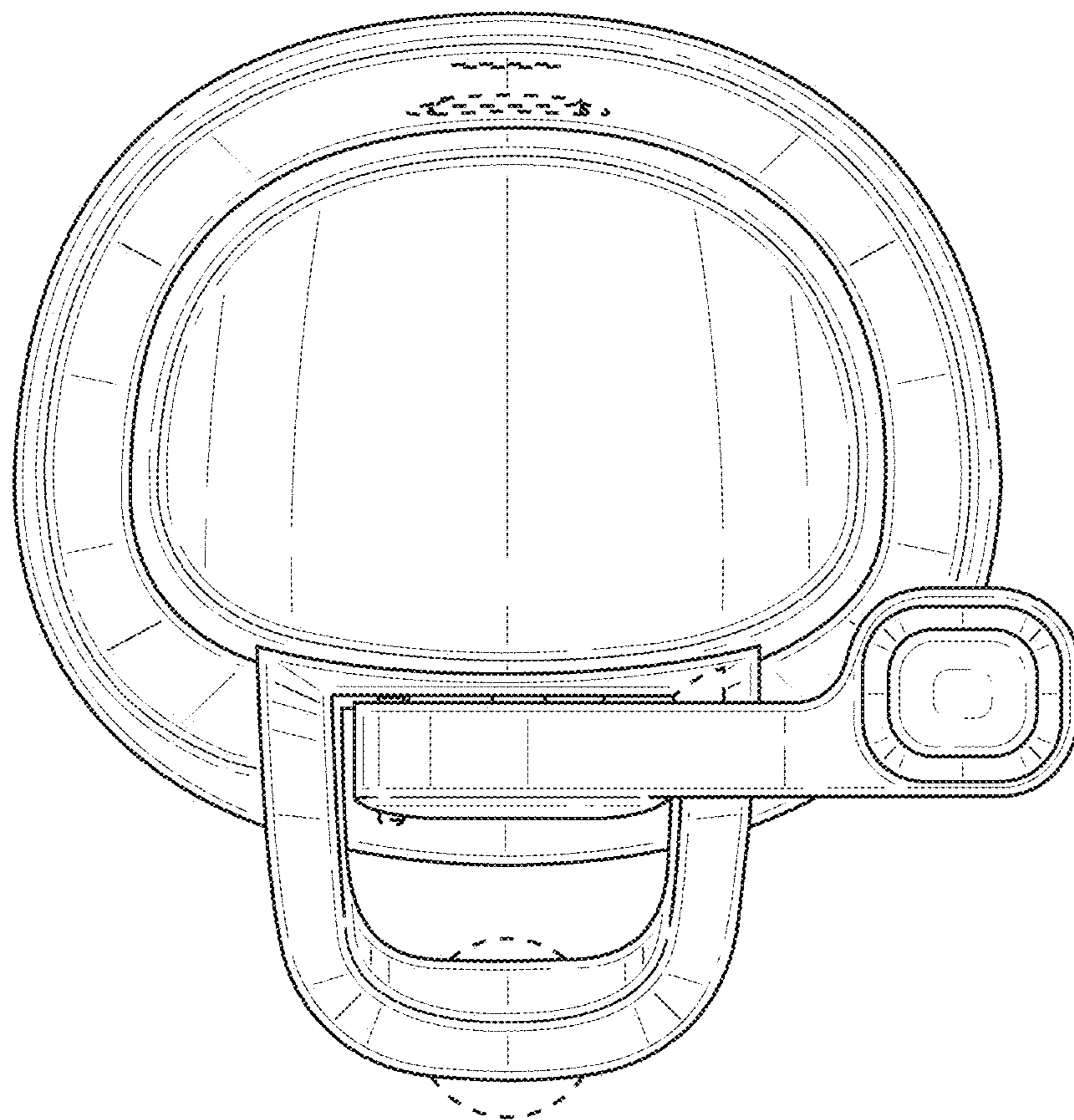


FIG. 7