

US00D896047S

(12) **United States Design Patent** (10) **Patent No.:** **US D896,047 S**  
**Hyma et al.** (45) **Date of Patent:** **\*\* Sep. 15, 2020**

(54) **DRIVER**  
(71) Applicant: **MILWAUKEE ELECTRIC TOOL CORPORATION**, Brookfield, WI (US)  
(72) Inventors: **Steven W. Hyma**, Milwaukee, WI (US); **Alec D. Snavley**, Sparta, MI (US); **Smith C. Theiler**, Plymouth, WI (US); **Michael J. Zimmermann**, New Berlin, WI (US)  
(73) Assignee: **Milwaukee Electric Tool Corporation**, Brookfield, WI (US)  
(\*\*) Term: **15 Years**  
(21) Appl. No.: **29/689,568**  
(22) Filed: **Apr. 30, 2019**

D365,113 S 12/1995 Ronan  
5,485,769 A 1/1996 Olson et al.  
D379,420 S 5/1997 Standlee et al.  
D414,391 S 9/1999 Stagmo  
D484,376 S \* 12/2003 Cromer ..... D8/29  
D493,081 S 7/2004 Chen  
6,761,093 B2 \* 7/2004 Chang ..... B25B 13/06  
81/121.1  
D500,435 S \* 1/2005 Dexter ..... D8/29  
D500,944 S \* 1/2005 Dexter ..... D8/29  
D501,768 S \* 2/2005 Dexter ..... D8/29  
D523,305 S \* 6/2006 Dexter ..... D8/29  
D525,839 S 8/2006 Raukman  
D539,131 S 3/2007 Hsien  
7,281,310 B2 10/2007 Moore et al.  
D564,847 S 3/2008 Hurlburt  
7,448,121 B1 \* 11/2008 Hung ..... C25D 5/022  
204/194  
D584,118 S 1/2009 Halstead  
(Continued)

**Related U.S. Application Data**

(62) Division of application No. 29/604,200, filed on May 16, 2017, now Pat. No. Des. 853,808.  
(51) **LOC (12) Cl.** ..... **08-05**  
(52) **U.S. Cl.**  
USPC ..... **D8/29; D8/70**  
(58) **Field of Classification Search**  
USPC ..... D8/14, 21, 29, 86, 70; D15/140; D14/491, 492  
CPC ..... B23B 31/006; B23B 31/10; B23B 31/107; B23B 31/1071; B23B 31/1072; B23B 31/1073; B25B 23/0035; B25B 23/0057  
See application file for complete search history.

*Primary Examiner* — Philip S Hyder  
(74) *Attorney, Agent, or Firm* — Michael Best & Friedrich LLP

(57) **CLAIM**

We claim the ornamental design for a driver, as shown and described.

**DESCRIPTION**

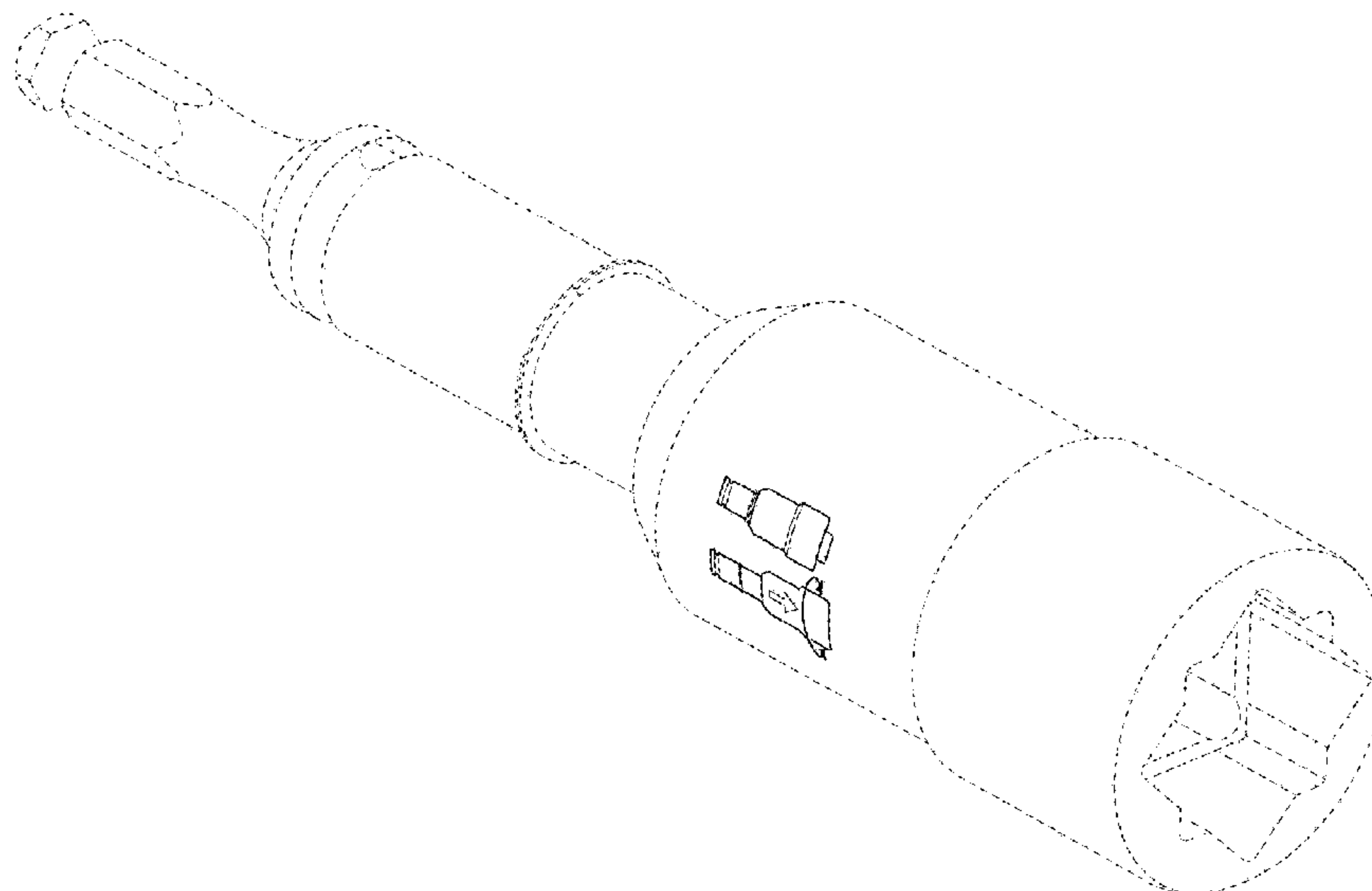
FIG. 1 is a perspective view of a driver.  
FIG. 2 is a first side view of the driver of FIG. 1.  
FIG. 3 is a second side view of the driver of FIG. 1.  
FIG. 4 is a third side view of the driver of FIG. 1.  
FIG. 5 is a fourth side view of the driver of FIG. 1.  
FIG. 6 is a first end view of the driver of FIG. 1; and,  
FIG. 7 is a second end view of the driver of FIG. 1.  
The broken lines depict portions of the driver in which the design is embodied that are not considered part of the claimed design.

(56) **References Cited**

**U.S. PATENT DOCUMENTS**

1,422,067 A 7/1922 Abegg  
3,285,106 A 11/1966 Svenson  
4,982,627 A \* 1/1991 Johnson ..... B23B 31/005  
81/121.1  
D335,071 S 4/1993 Fine

**1 Claim, 4 Drawing Sheets**



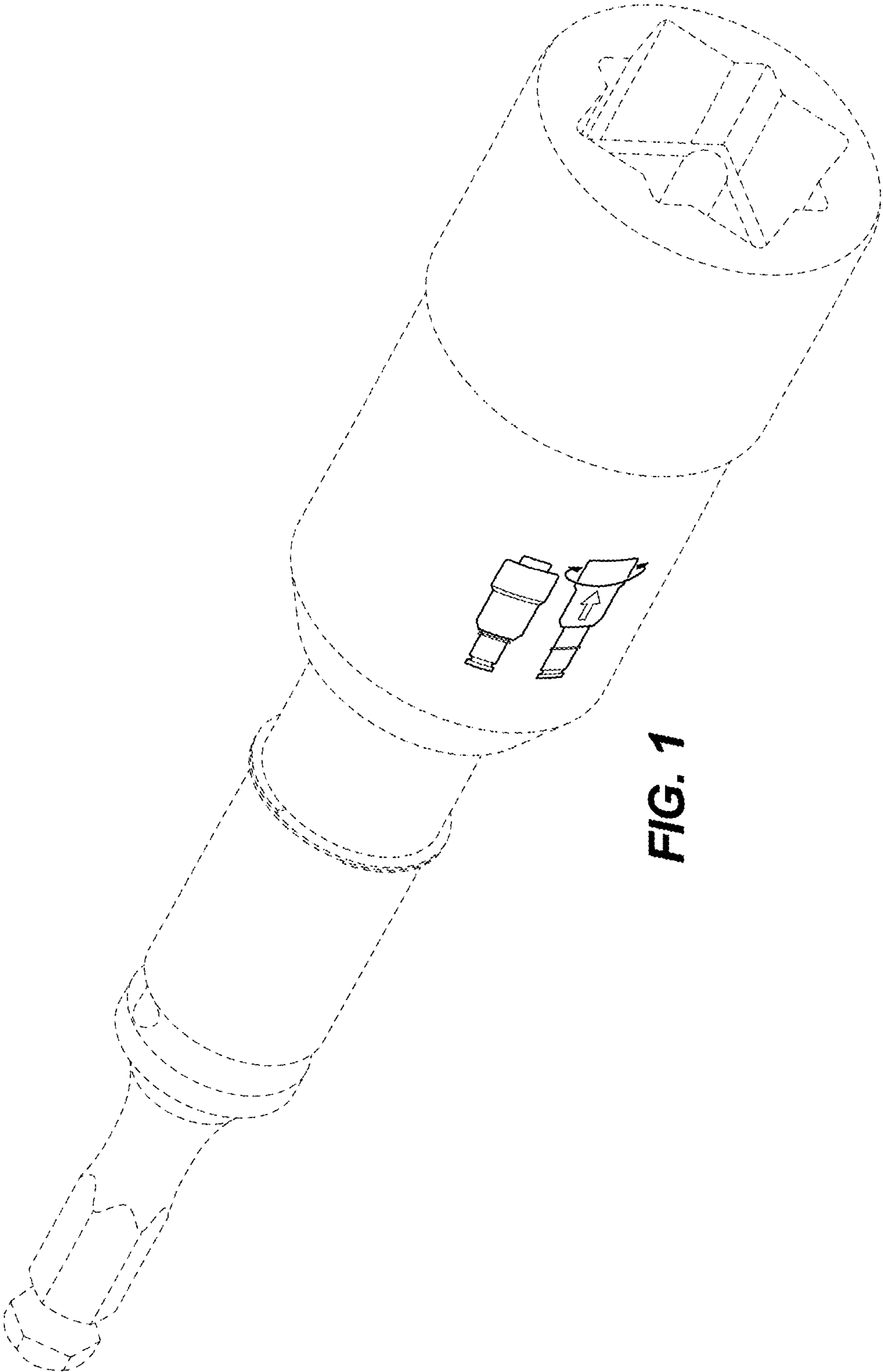
(56)

**References Cited**

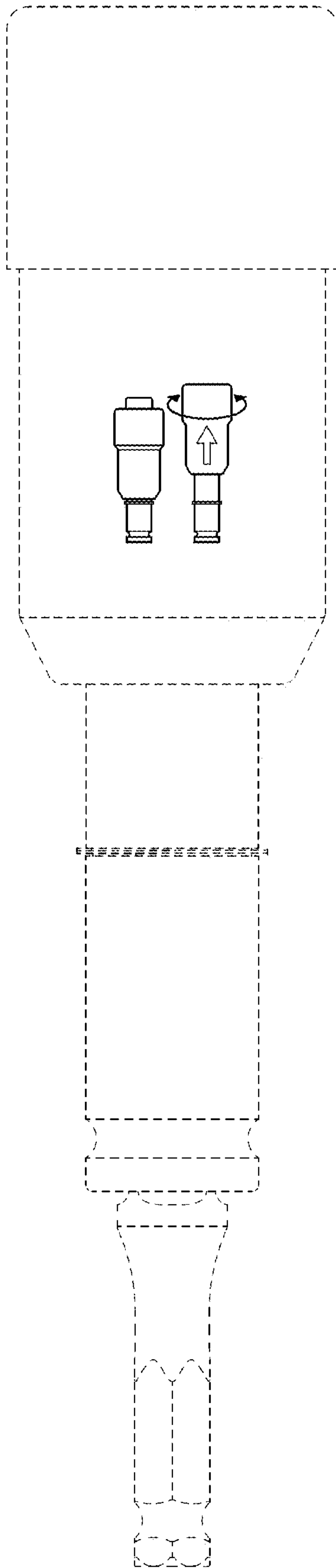
U.S. PATENT DOCUMENTS

D589,319	S	3/2009	Peters et al.	
D629,025	S	12/2010	Greenleaf	
D642,882	S	8/2011	Lane	
D659,730	S	5/2012	Cantlon	
D709,744	S	7/2014	Kluhsman, Jr.	
8,960,055	B2 *	2/2015	Lin	B25B 13/06 81/119
D732,579	S *	6/2015	Kim	D14/492
D736,053	S	8/2015	Zhang	
9,144,893	B2	9/2015	Su	
9,156,147	B2	10/2015	Peters et al.	
9,616,553	B2 *	4/2017	Marovets	B25B 13/08
D853,808	S *	7/2019	Hyma	D8/29
2004/0216566	A1 *	11/2004	Shih	B25B 13/56 81/119
2005/0193874	A1 *	9/2005	Shih	B25B 13/56 81/121.1
2007/0131065	A1 *	6/2007	Shih	G09F 3/00 81/121.1
2008/0047400	A1 *	2/2008	Hu	B25G 1/00 81/177.1
2009/0008886	A1	1/2009	Shu	
2015/0151412	A1	6/2015	Chen	

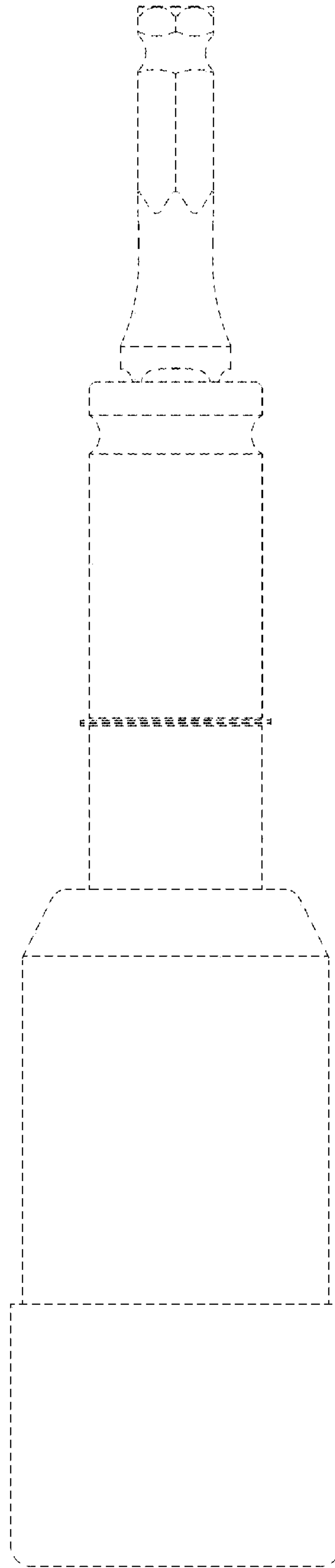
\* cited by examiner



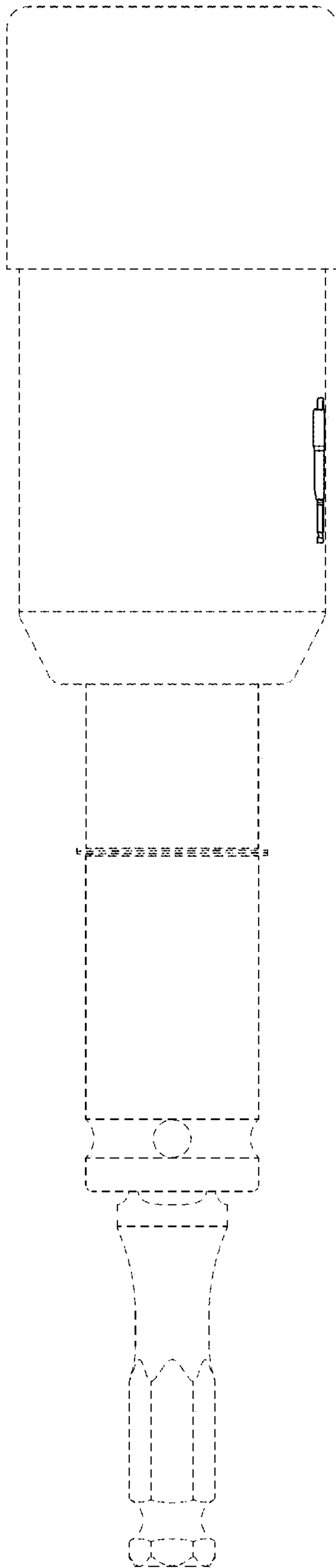
**FIG. 1**



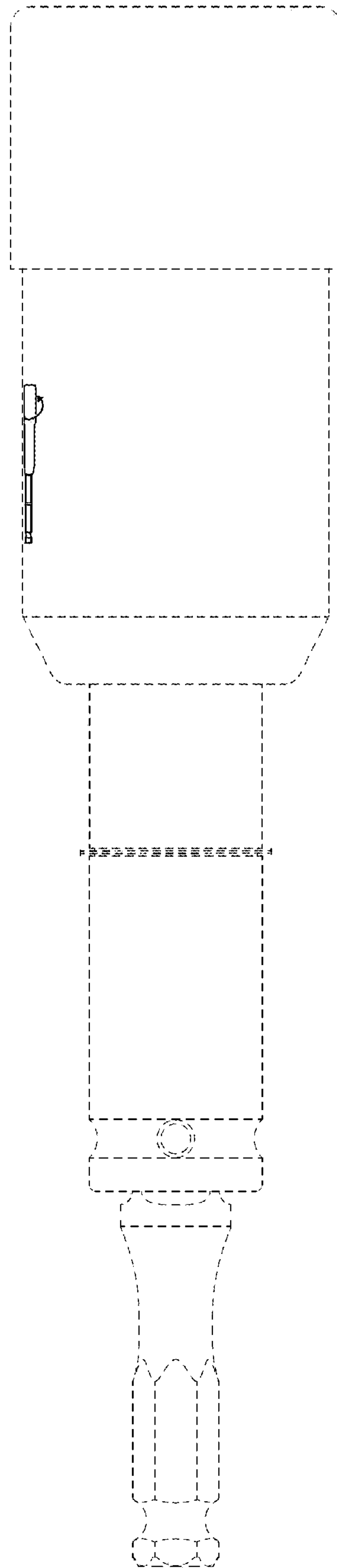
**FIG. 2**



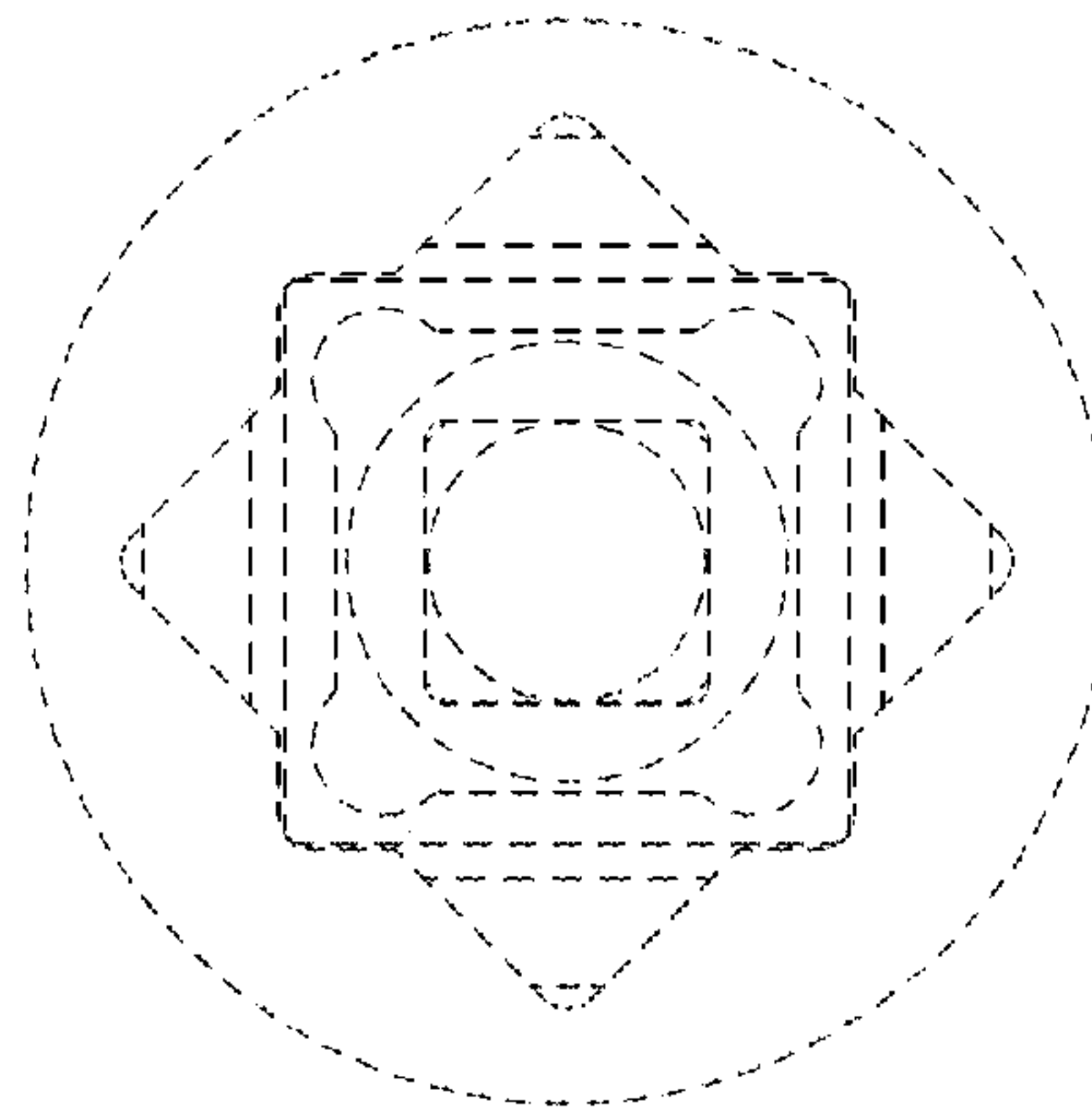
**FIG. 3**



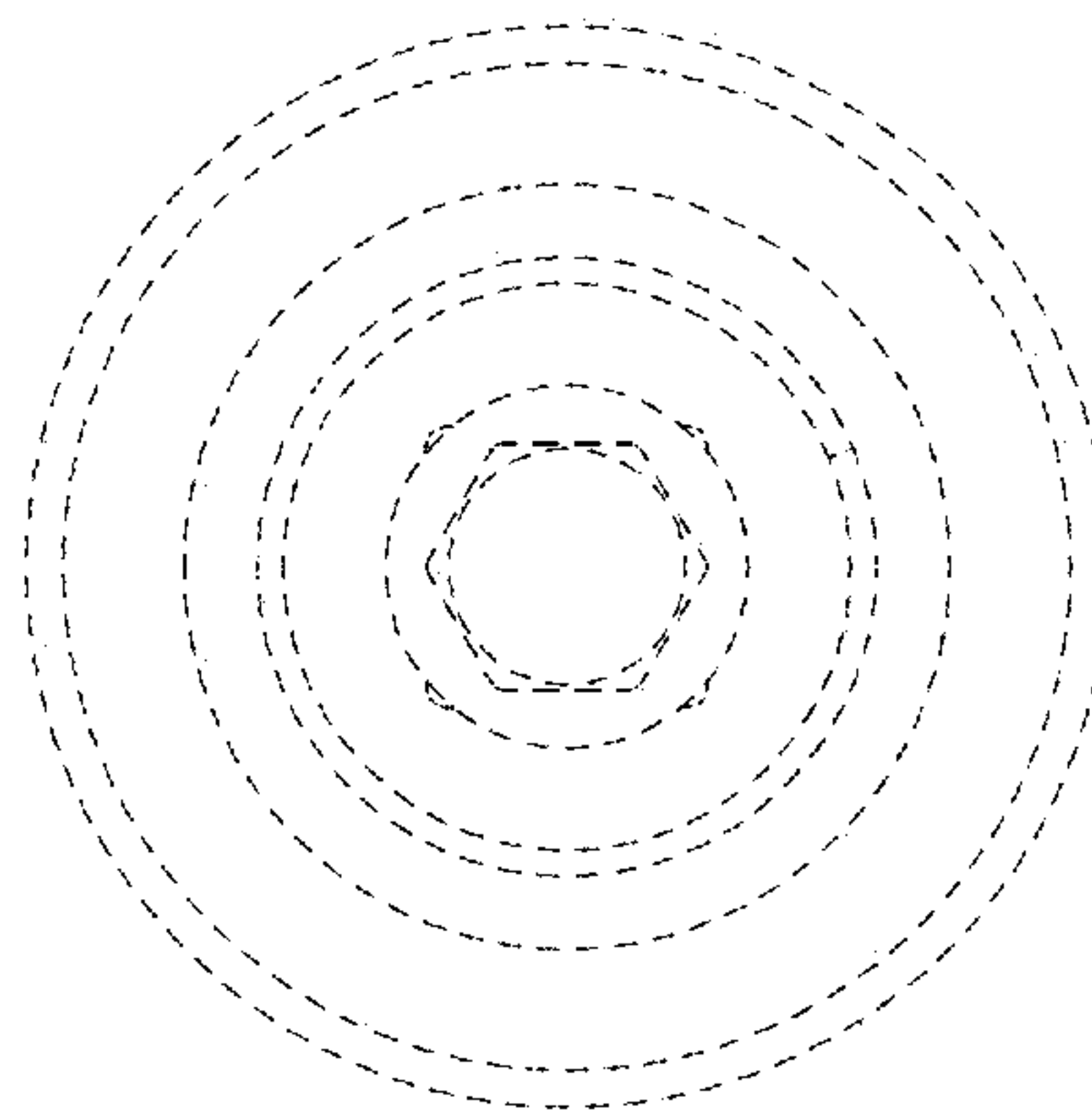
**FIG. 4**



**FIG. 5**



**FIG. 6**



**FIG. 7**