

US00D896046S

(12) **United States Design Patent** (10) **Patent No.:** **US D896,046 S**  
**Spater** (45) **Date of Patent:** **\*\* Sep. 15, 2020**

(54) **WEBBING HOOK MULTI TOOL**  
(71) Applicant: **RADIO SYSTEMS CORPORATION,**  
Knoxville, TN (US)  
(72) Inventor: **Christopher Spater,** Burlington, VT  
(US)  
(73) Assignee: **Radio Systems Corporation,**  
Knoxville, TN (US)

(\*\*) Term: **15 Years**

(21) Appl. No.: **29/650,415**

(22) Filed: **Jun. 6, 2018**

(51) **LOC (12) Cl.** ..... **08-05**

(52) **U.S. Cl.**  
USPC ..... **D8/16; D8/105; D8/356; D30/152;**  
**D11/218**

(58) **Field of Classification Search**  
USPC .... **D8/105, 38, 55, 14-19, 21, 53, 100, 103,**  
**D8/26, 34, 87, 99, 356, 28; D3/210;**  
**D11/218; D30/152-153**  
CPC .. **B25B 15/008; B25F 1/00; B25F 1/02; B25F**  
**1/04; F16B 45/02**  
See application file for complete search history.

(56) **References Cited**

**U.S. PATENT DOCUMENTS**

D511,122 S	11/2005	Hurn	
7,100,249 B2	9/2006	Hurn	
D623,030 S *	9/2010	Spater	D8/16
D666,525 S	9/2012	Anderson	
D704,594 S	5/2014	Cherin	
D733,516 S	7/2015	Kelleghan	
D737,173 S	8/2015	Kelleghan	
D739,713 S	9/2015	Kelleghan	
D747,947 S	1/2016	Ma	
D748,956 S	2/2016	Goeckel	

D750,850 S	3/2016	Javornick	
D757,376 S	5/2016	Blizzard	
D758,824 S *	6/2016	Kelleghan	D8/105
9,427,858 B2	8/2016	Duncan	
D765,495 S *	9/2016	Schmid	D8/356
D766,071 S *	9/2016	Spater	D8/356
D770,250 S	11/2016	Fischer	
D772,029 S	11/2016	Spater	
D773,908 S	12/2016	Arakelian	
D801,599 S *	10/2017	Macca	D30/199
D807,725 S *	1/2018	Chalfant	D8/105
D818,392 S	5/2018	Chang	
D835,974 S *	12/2018	Moore	D8/356
D847,616 S *	5/2019	Spater	D8/367
D848,813 S *	5/2019	Kelleghan	D8/105
D850,227 S *	6/2019	Spater	D8/34
D859,130 S *	9/2019	Spater	D8/356
D867,099 S *	11/2019	Mojica	D8/105

**OTHER PUBLICATIONS**

U.S. Appl. No. 14/524,375, filed Oct. 28, 2014, Paul Fidrych.

\* cited by examiner

*Primary Examiner* — Janice Hallmark

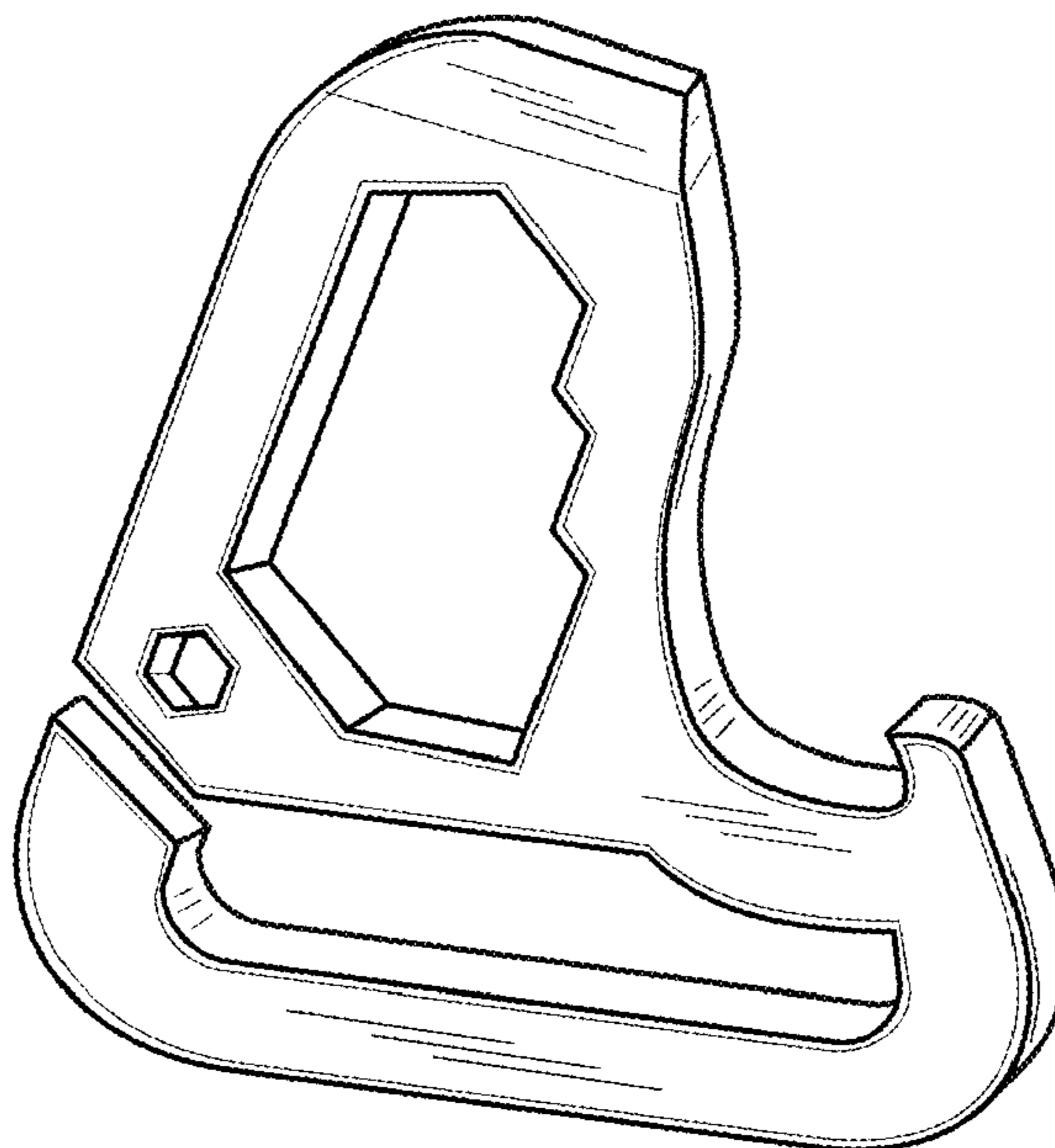
(57) **CLAIM**

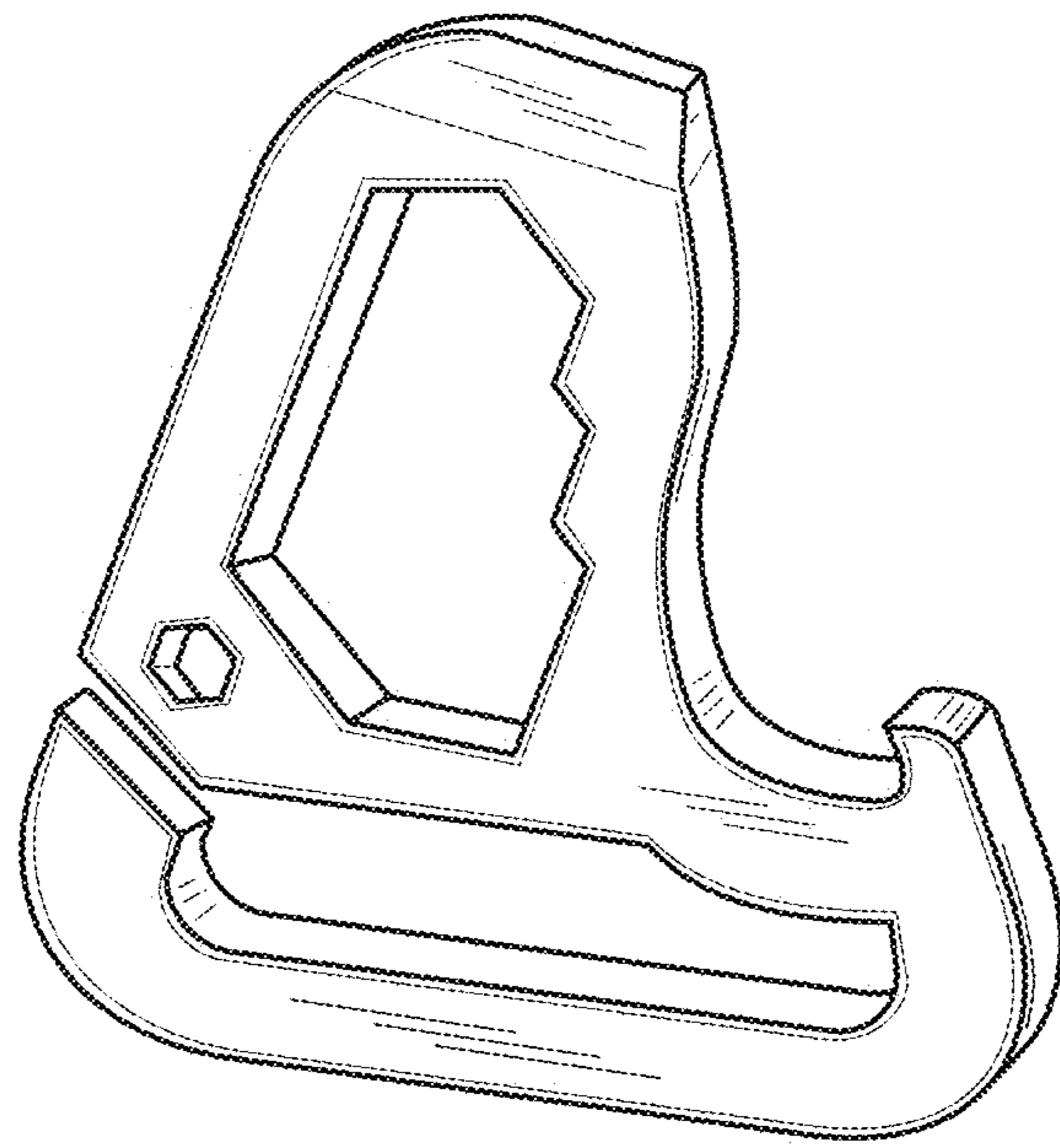
The ornamental design for a webbing hook multi tool, as shown and described.

**DESCRIPTION**

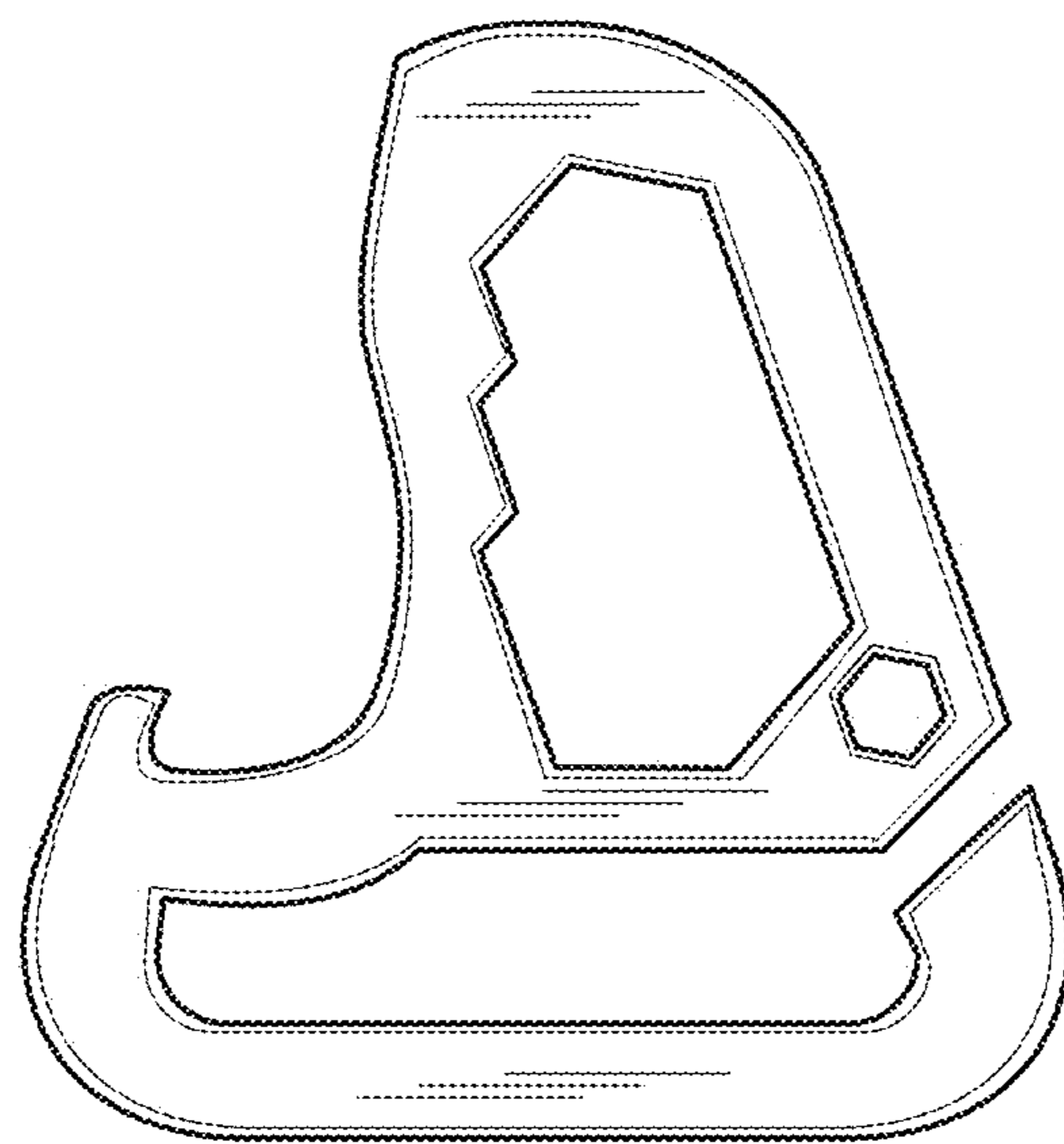
FIG. 1 shows a perspective view of my design for a webbing hook multi tool;  
FIG. 2 is a front view thereof;  
FIG. 3 is a back view thereof;  
FIG. 4 is a top view thereof;  
FIG. 5 is a bottom view thereof;  
FIG. 6 is a left side view thereof; and,  
FIG. 7 is a right side view thereof.

**1 Claim, 2 Drawing Sheets**

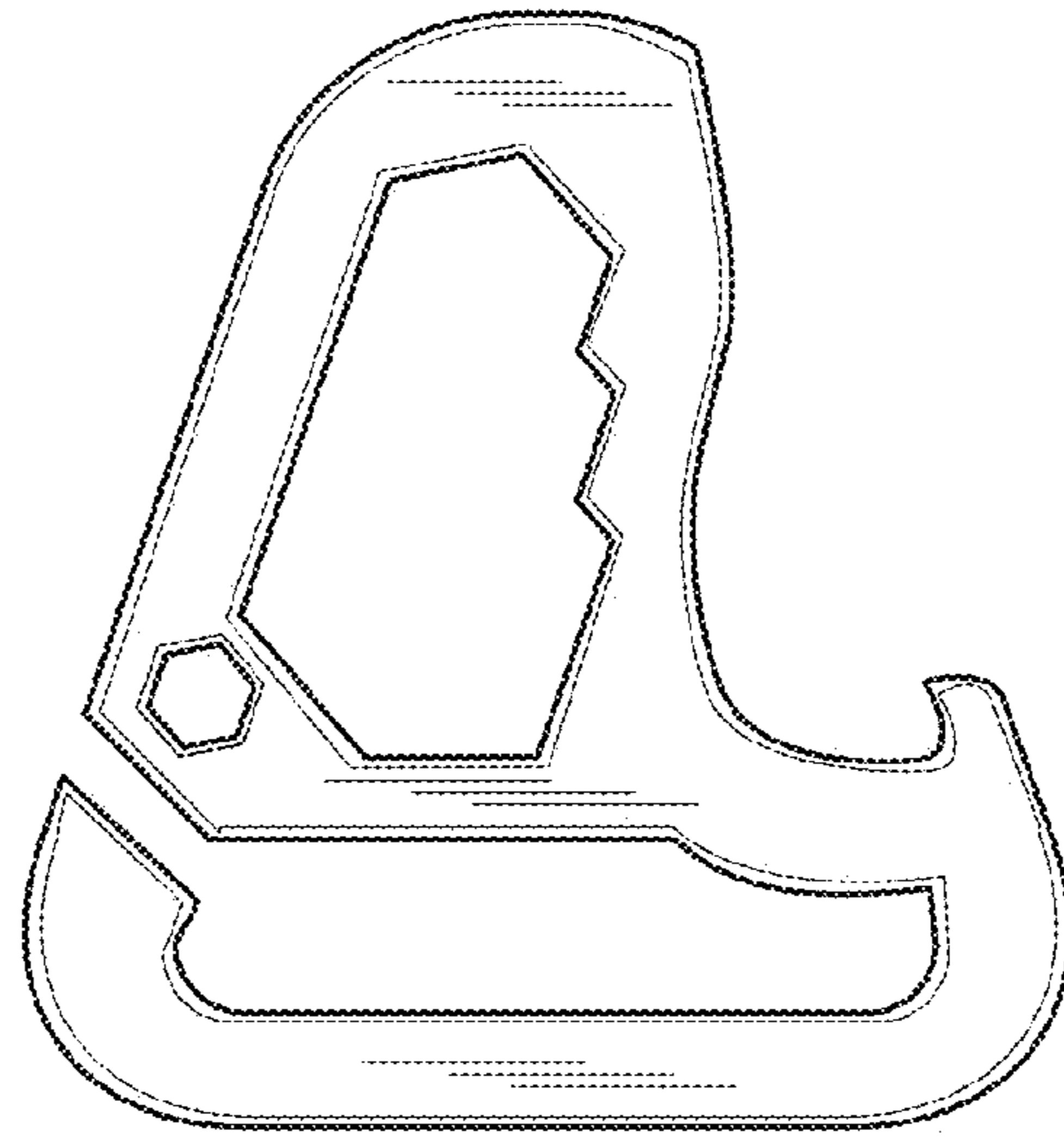




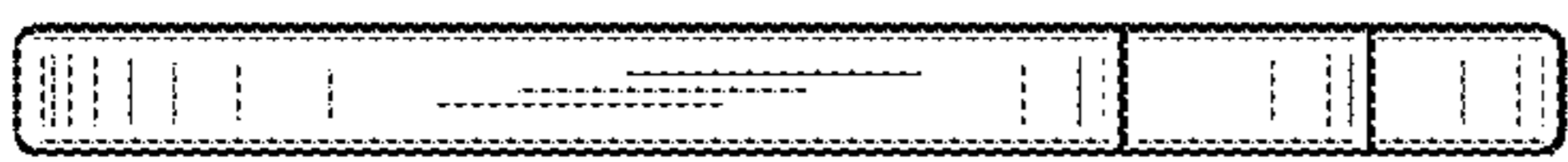
**Fig. 1**



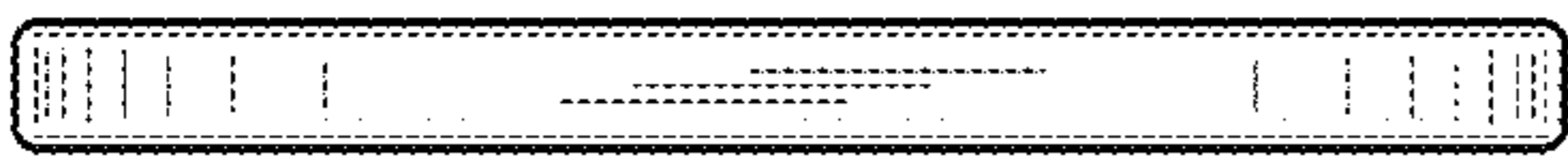
**Fig. 2**



**Fig. 3**



**Fig. 4**



**Fig. 5**



**Fig. 6**



**Fig. 7**