



US00D896045S

(12) **United States Design Patent** (10) **Patent No.:** **US D896,045 S**  
**Hua et al.** (45) **Date of Patent:** **\*\* Sep. 15, 2020**

(54) **ACCESSORIAL HANDLE FOR SHOVEL**  
(71) Applicant: **CIXI HUAZHJIE PLASTIC PRODUCT CO., LTD., Zhejiang (CN)**

5,133,582 A \* 7/1992 Rocha ..... A01B 1/026  
16/426  
D377,300 S \* 1/1997 Fredrick von Essen ..... D8/10  
5,816,634 A \* 10/1998 Jacobs ..... B25G 1/01  
294/57

(72) Inventors: **Jie Hua, Zhejiang (CN); Shimin Hua, Zhejiang (CN)**

(Continued)

(73) Assignee: **CIXI HUAZHJIE PLASTIC PRODUCT CO., LTD., Zhejiang (CN)**

**FOREIGN PATENT DOCUMENTS**

CA 2154398 A \* 3/1997 ..... A01B 1/00  
CA 2222255 A1 \* 8/1999 ..... E01H 5/02

(\*\*) Term: **15 Years**

*Primary Examiner* — Sheryl Lane  
*Assistant Examiner* — Calvin E Vansant  
(74) *Attorney, Agent, or Firm* — JCIPRNET

(21) Appl. No.: **29/697,184**

(57) **CLAIM**

(22) Filed: **Jul. 4, 2019**

The ornamental design for an accessorial handle for shovel, as shown and described.

(30) **Foreign Application Priority Data**

**DESCRIPTION**

May 16, 2019 (CN) ..... 2019 3 0236834

(51) **LOC (12) Cl.** ..... **08-05**

(52) **U.S. Cl.**  
USPC ..... **D8/10; D8/107**

(58) **Field of Classification Search**  
USPC ..... D8/1, 10, 107, 13  
CPC .... A01B 1/04; A01B 1/02; A01B 1/12; A01B 1/18; A01B 1/026; E01H 5/02  
See application file for complete search history.

FIG. 1 is a perspective view of an accessorial handle for shovel showing our new design;  
FIG. 2 is a front view thereof;  
FIG. 3 is a rear view thereof;  
FIG. 4 is a left side view thereof;  
FIG. 5 is a right side view thereof;  
FIG. 6 is a top view thereof;  
FIG. 7 is a bottom view thereof;  
FIG. 8 is a perspective view thereof with the clip in an orientation different from that of FIG. 1;  
FIG. 9 is a perspective view thereof with the clip in closed state; and,  
FIG. 10 is a perspective view thereof with a rod clipped by the clip.

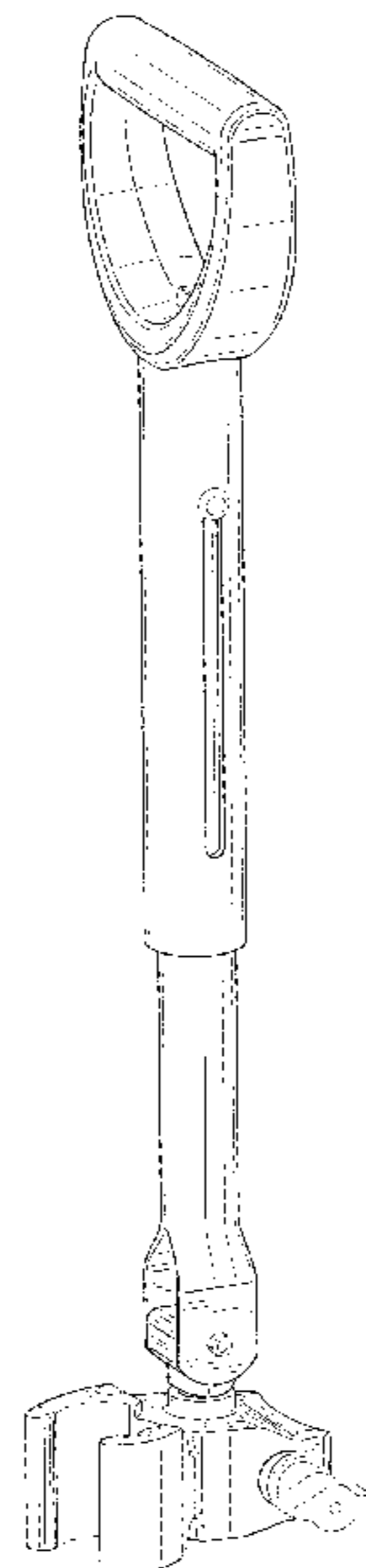
(56) **References Cited**

**U.S. PATENT DOCUMENTS**

D204,008 S \* 3/1966 Louik ..... D8/1  
4,607,872 A \* 8/1986 Herner ..... E01H 5/02  
294/54.5  
D291,863 S \* 9/1987 Kolonia ..... D8/10  
4,787,661 A \* 11/1988 Rutledge ..... A01B 1/222  
294/49  
4,944,541 A \* 7/1990 Waldschmidt ..... A01B 1/026  
16/426

The dash-dash broken line portions of the accessorial handle for shovel in FIGS. 1-10 represent unclaimed portions of the claimed design and form no part thereof. The dot-dash broken line shown in FIG. 10 represent the environment only and form no part thereof. The dash-dot-dot broken lines in FIGS. 1 and 5-10 represent the boundary of the claimed design and form no part thereof.

**1 Claim, 9 Drawing Sheets**



(56)

**References Cited**

U.S. PATENT DOCUMENTS

D441,623 S \* 5/2001 Storlie ..... E01H 5/02  
294/58  
D520,819 S \* 5/2006 Onembo ..... D8/10  
D782,888 S \* 4/2017 Pritchett, II ..... D8/10  
9,775,272 B1 \* 10/2017 Gilbert ..... B25G 1/06  
10,058,990 B1 \* 8/2018 Logan ..... B25G 1/01  
2003/0057721 A1 \* 3/2003 Ducklow ..... A01B 1/026  
294/58  
2003/0074765 A1 \* 4/2003 Quimby ..... A01B 1/00  
16/426  
2014/0159401 A1 \* 6/2014 Hajek ..... F16C 11/04  
294/58  
2015/0195985 A1 \* 7/2015 Gershman ..... A01B 1/028  
254/131.5

\* cited by examiner

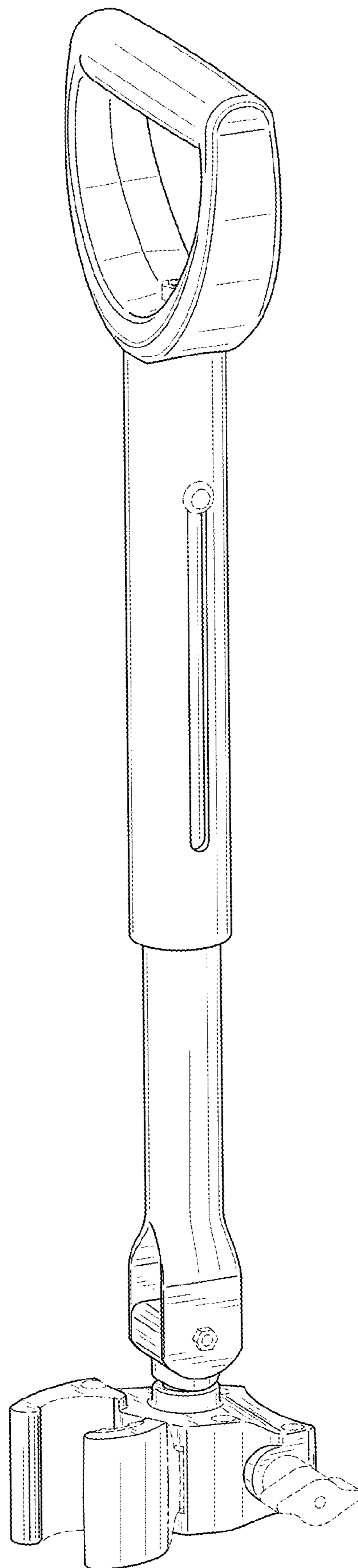


FIG. 1

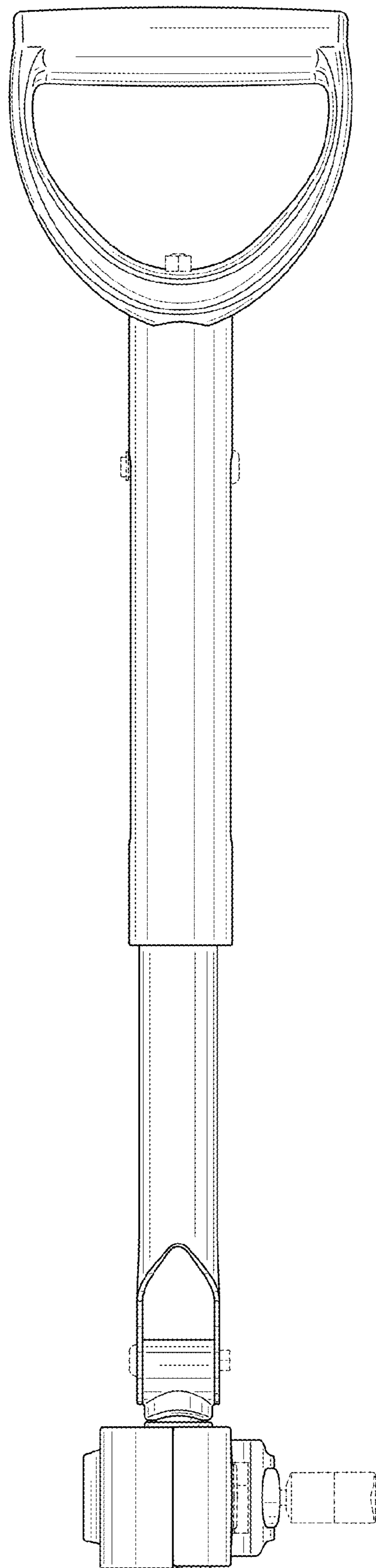


FIG. 2

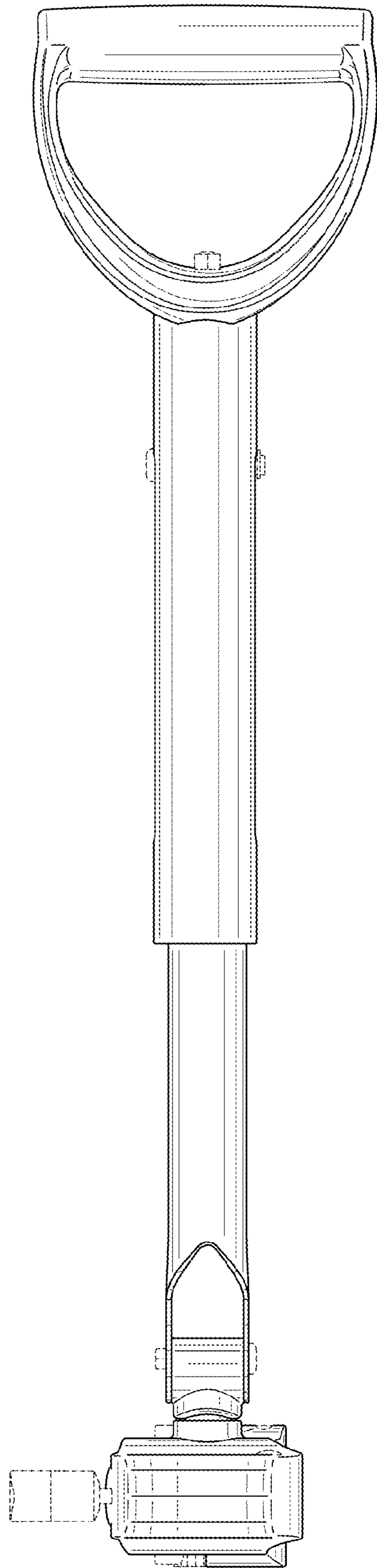


FIG. 3

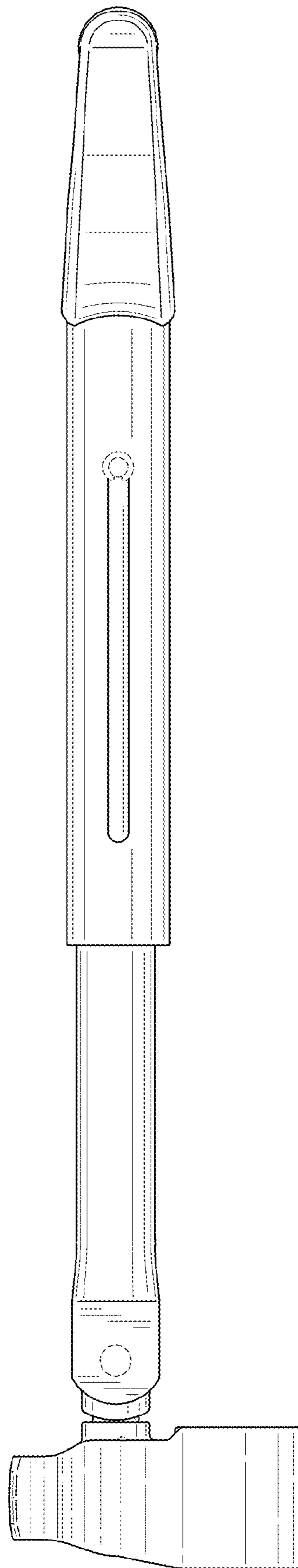


FIG. 4

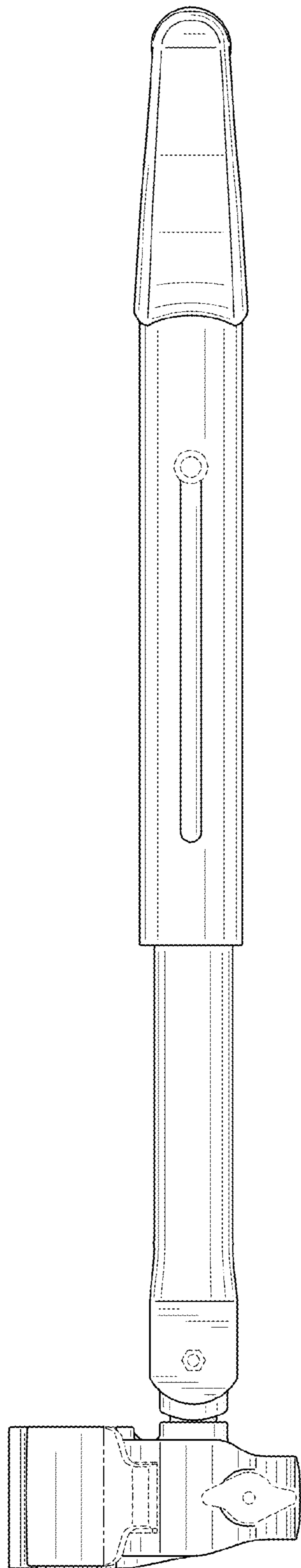


FIG. 5



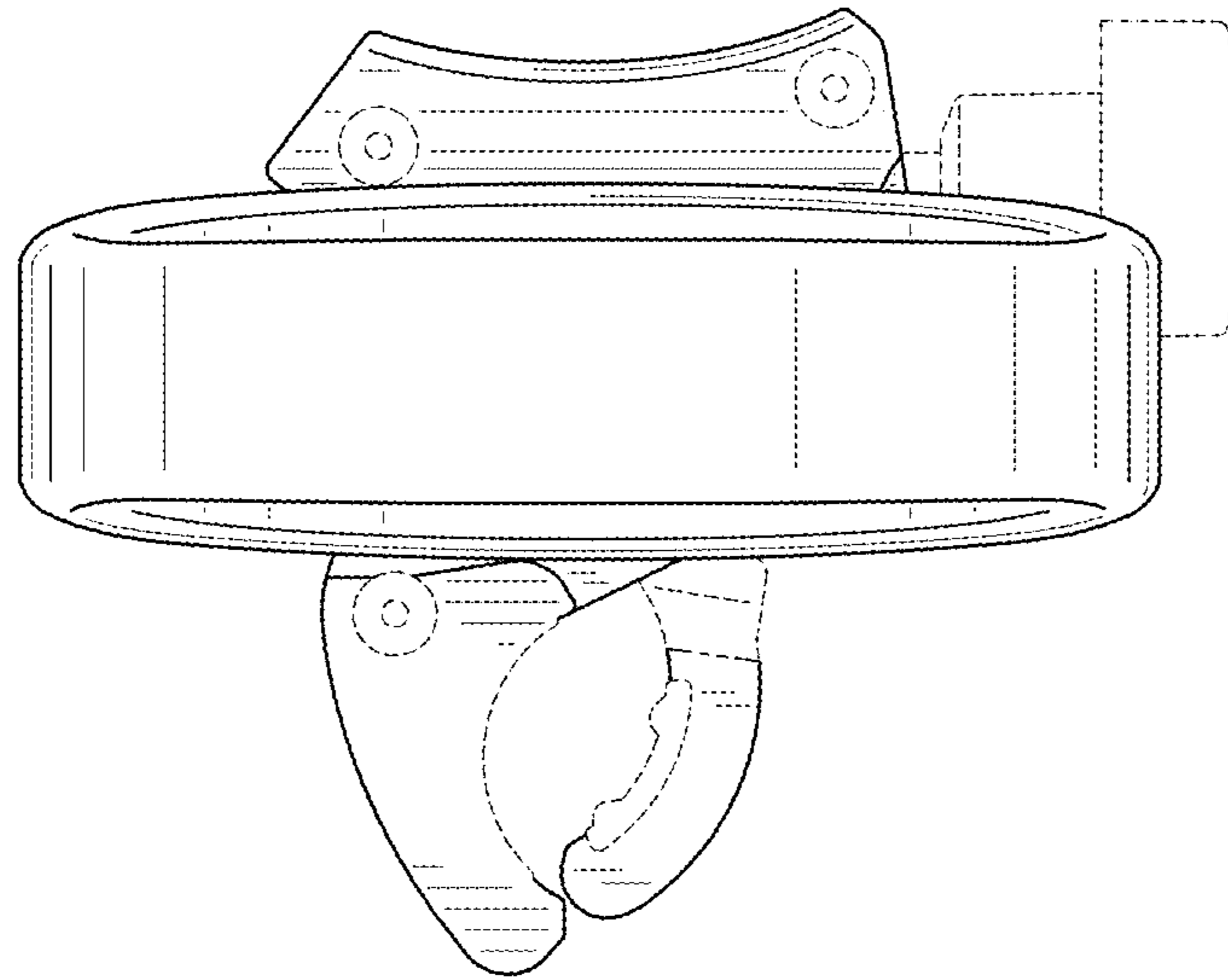


FIG. 6

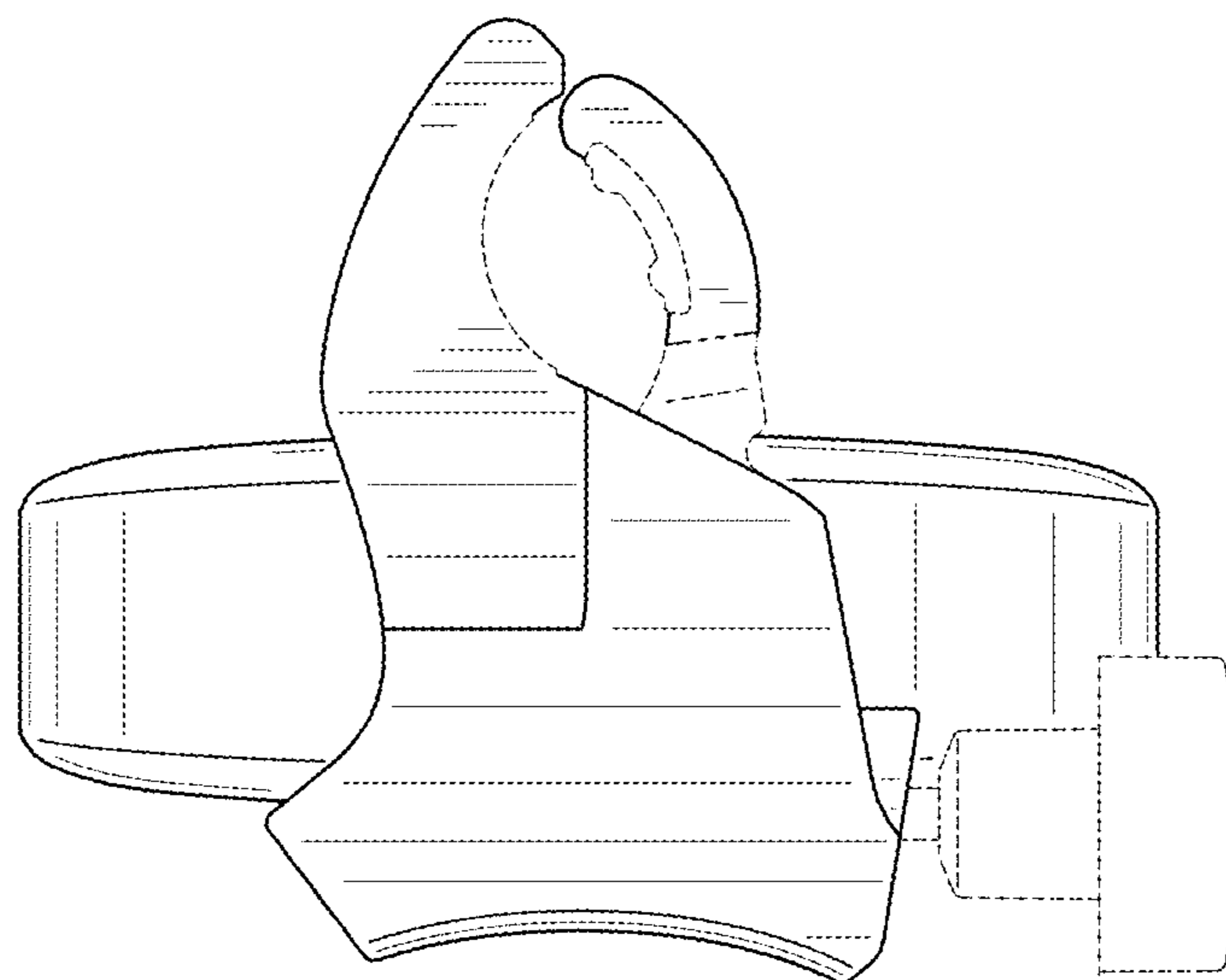


FIG. 7



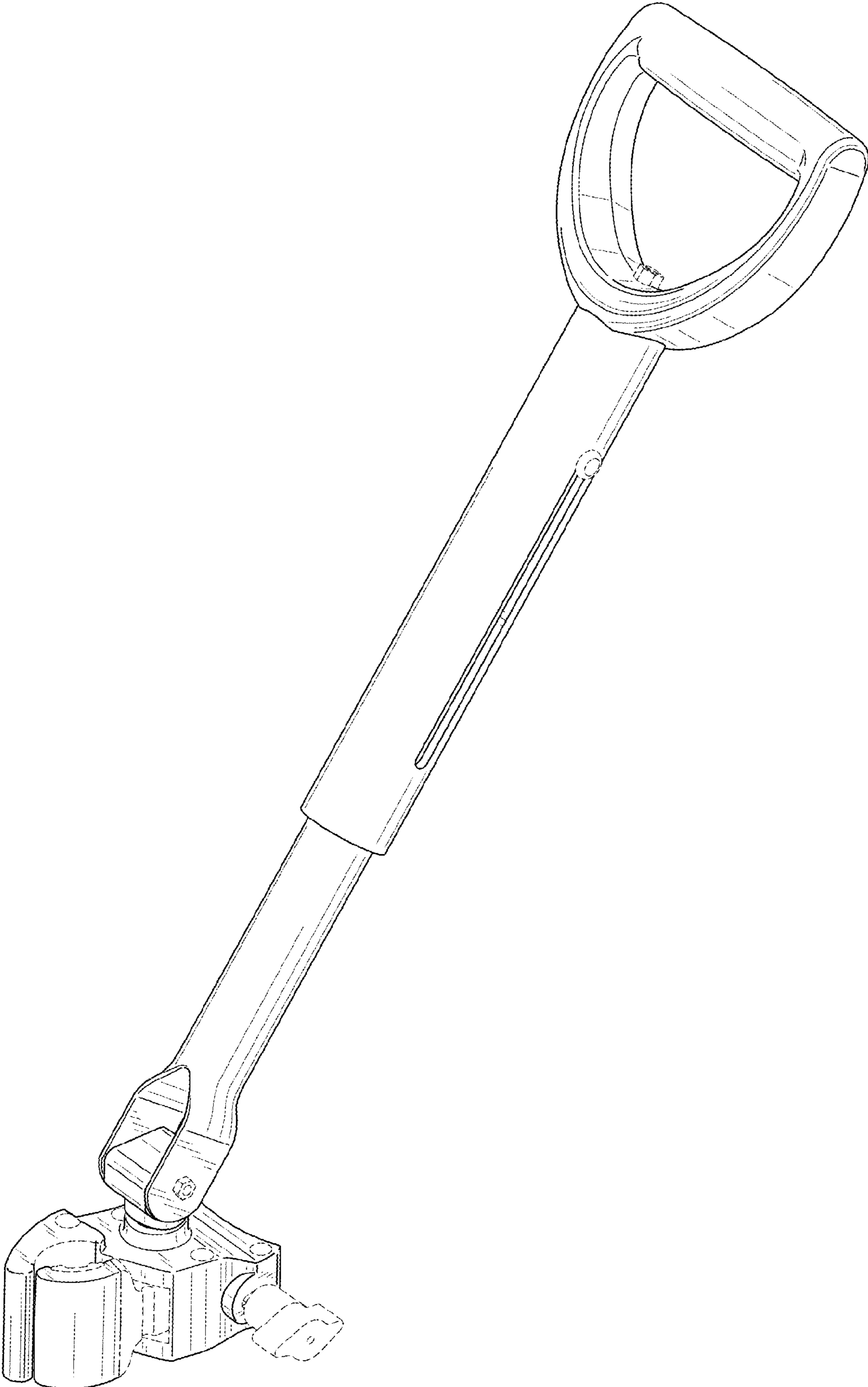


FIG. 8

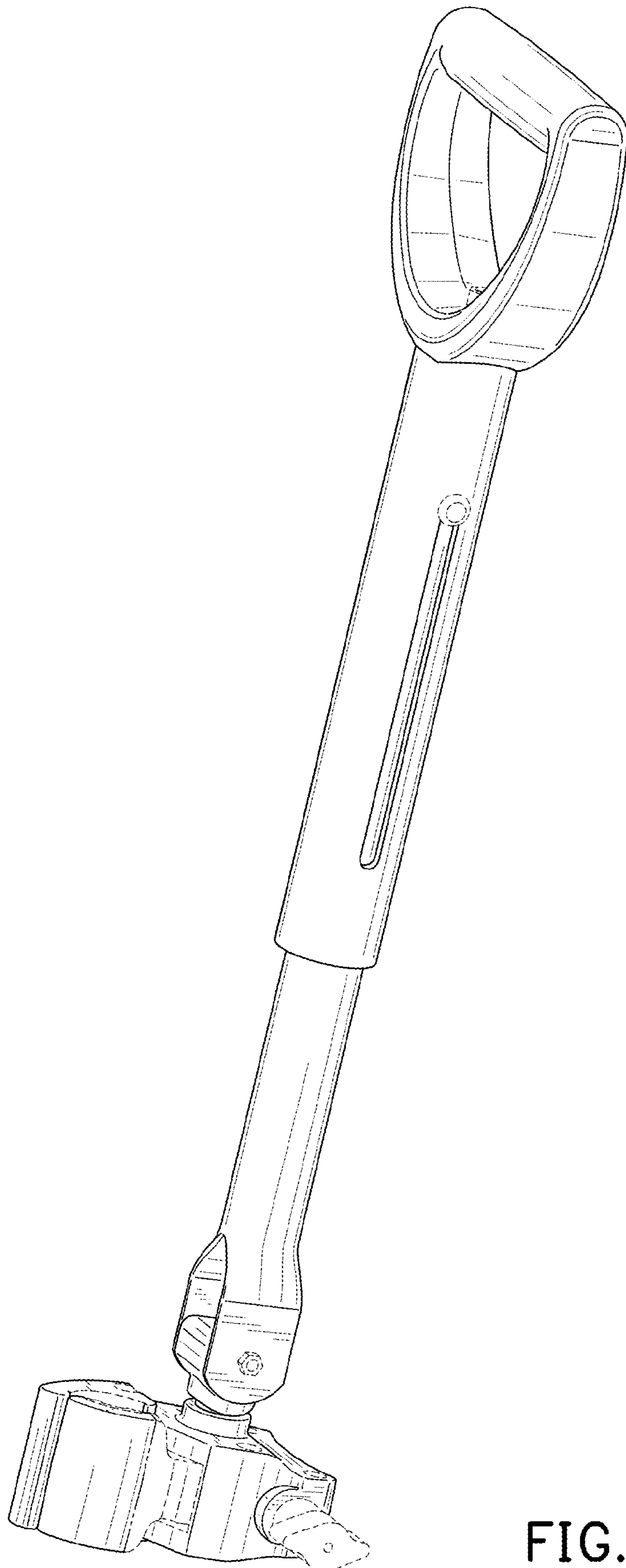


FIG. 9

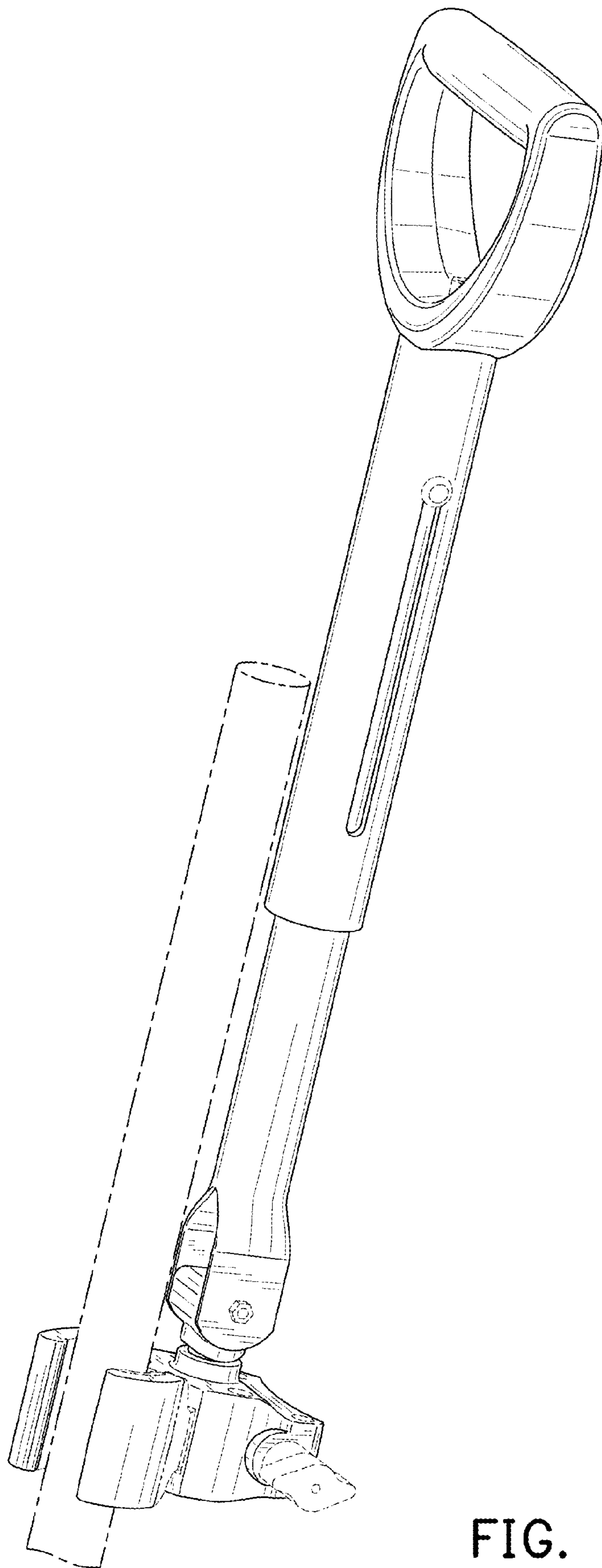


FIG. 10