



US00D896042S

(12) **United States Design Patent** (10) **Patent No.:** **US D896,042 S**  
**Knight et al.** (45) **Date of Patent:** **\*\* Sep. 15, 2020**

(54) **HAND SPREADER** 6,082,795 A 7/2000 Fornelli  
6,092,746 A 7/2000 Dillon  
(71) Applicant: **Home Depot Product Authority, LLC,** 6,425,500 B2 7/2002 McNally  
Atlanta, GA (US) 6,464,272 B1 10/2002 Michaud  
7,328,861 B2\* 2/2008 Sagol ..... A01C 15/02  
222/333  
(72) Inventors: **Erica Knight,** Chamblee, GA (US); 7,775,156 B2 8/2010 Sus et al.  
**Dominic Lovely,** Centennial, CO (US); 8,464,399 B2 6/2013 Herigstad  
**Brent Christopher,** Centennial, CO D701,737 S 4/2014 Poitras  
(US) D823,655 S \* 7/2018 Dubiel ..... D8/2  
D824,737 S \* 8/2018 Dubiel ..... D8/2  
(73) Assignee: **HOME DEPOT PRODUCT** (Continued)  
**AUTHORITY, LLC,** Atlanta, GA (US)

(\*\*) Term: **15 Years**

(21) Appl. No.: **29/669,604**

(22) Filed: **Nov. 9, 2018**

(51) **LOC (12) Cl.** ..... **08-01**

(52) **U.S. Cl.**  
USPC ..... **D8/2**

(58) **Field of Classification Search**  
USPC ..... D8/1, 2; D15/13, 26; D32/17  
CPC ..... A01C 15/02; A01C 15/00  
See application file for complete search history.

(56) **References Cited**

**U.S. PATENT DOCUMENTS**

- 2,516,852 A 8/1950 Burry
- 2,707,068 A 4/1955 Williamson
- 2,710,571 A 6/1955 Pfister
- 4,477,114 A 10/1984 Callis
- 5,159,775 A 11/1992 Sutuia, Jr.
- D333,951 S \* 3/1993 Courtney ..... D8/2
- 5,285,971 A \* 2/1994 Havlovitz ..... A01C 15/02  
222/43
- 5,445,479 A 8/1995 Hillinger
- 5,451,085 A 9/1995 Wagner
- 5,716,087 A 2/1998 Backich et al.
- 5,774,937 A 7/1998 Caminos
- 5,802,960 A 9/1998 Graj et al.
- 5,890,259 A 4/1999 Sarac

**FOREIGN PATENT DOCUMENTS**

EM 006569687-0002 \* 8/2019

*Primary Examiner* — Sheryl Lane

(74) *Attorney, Agent, or Firm* — Greenberg Traurig, LLP

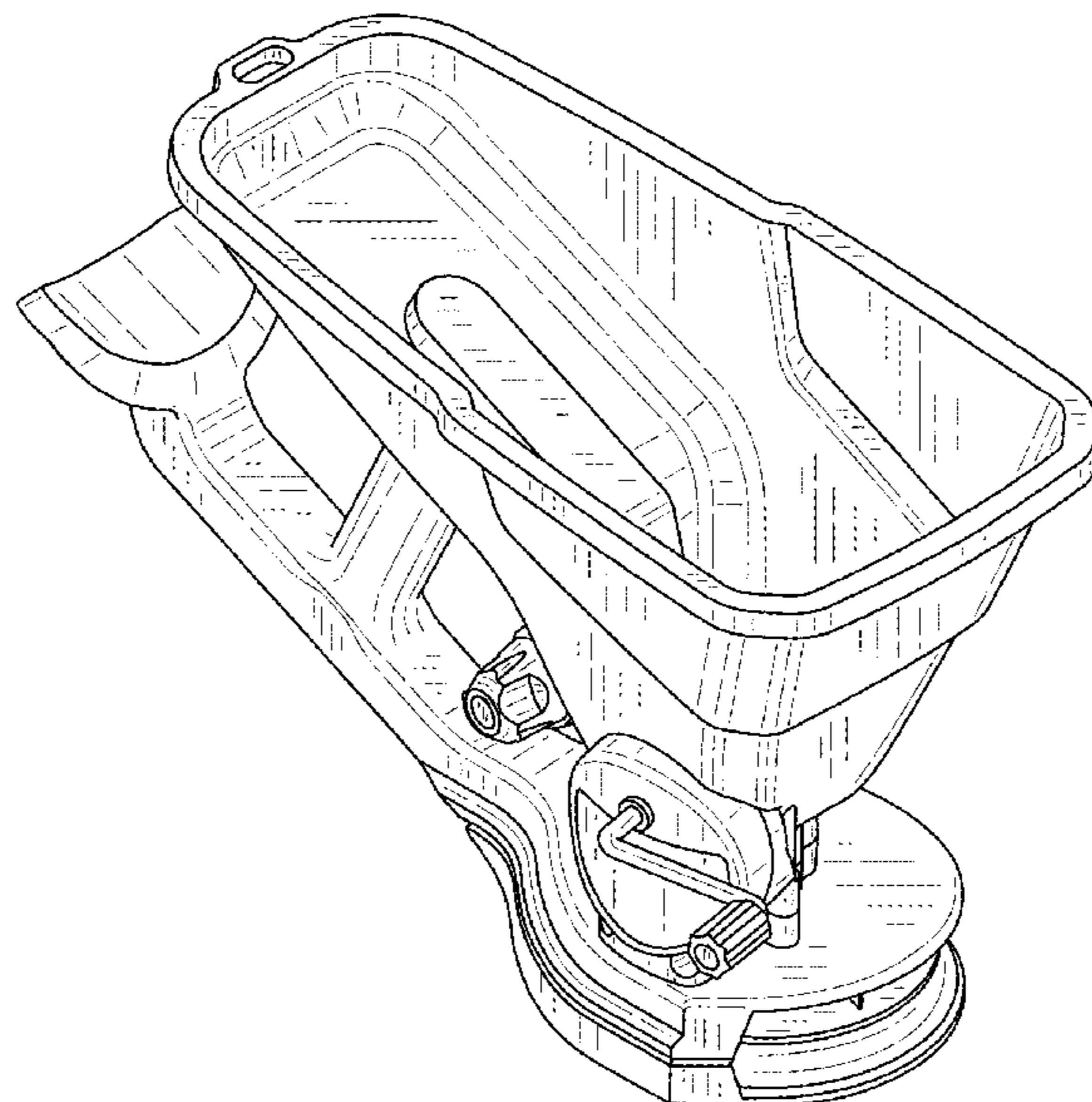
(57) **CLAIM**

The ornamental design for a hand spreader, as shown and described.

**DESCRIPTION**

FIG. 1 is a perspective view of a hand spreader having our design;  
FIG. 2 is a front elevational view of the hand spreader of FIG. 1;  
FIG. 3 is a rear elevational view of the hand spreader of FIG. 1;  
FIG. 4 is a left-side elevational view of the hand spreader of FIG. 1;  
FIG. 5 is a right-side elevational view of the hand spreader of FIG. 1;  
FIG. 6 is a top plan view of the hand spreader of FIG. 1; and,  
FIG. 7 is a bottom plan view of the hand spreader of FIG. 1.  
The broken lines in the figures represent portions of the hand spreader that form no part of the claimed design.

**1 Claim, 7 Drawing Sheets**



(56)

**References Cited**

U.S. PATENT DOCUMENTS

D834,901 S \* 12/2018 Dubiel ..... D8/2  
2016/0101513 A1 4/2016 Rogers  
2017/0049042 A1\* 2/2017 Hsu ..... A01C 15/02  
2018/0368309 A1\* 12/2018 Dubiel ..... A01C 15/006

\* cited by examiner

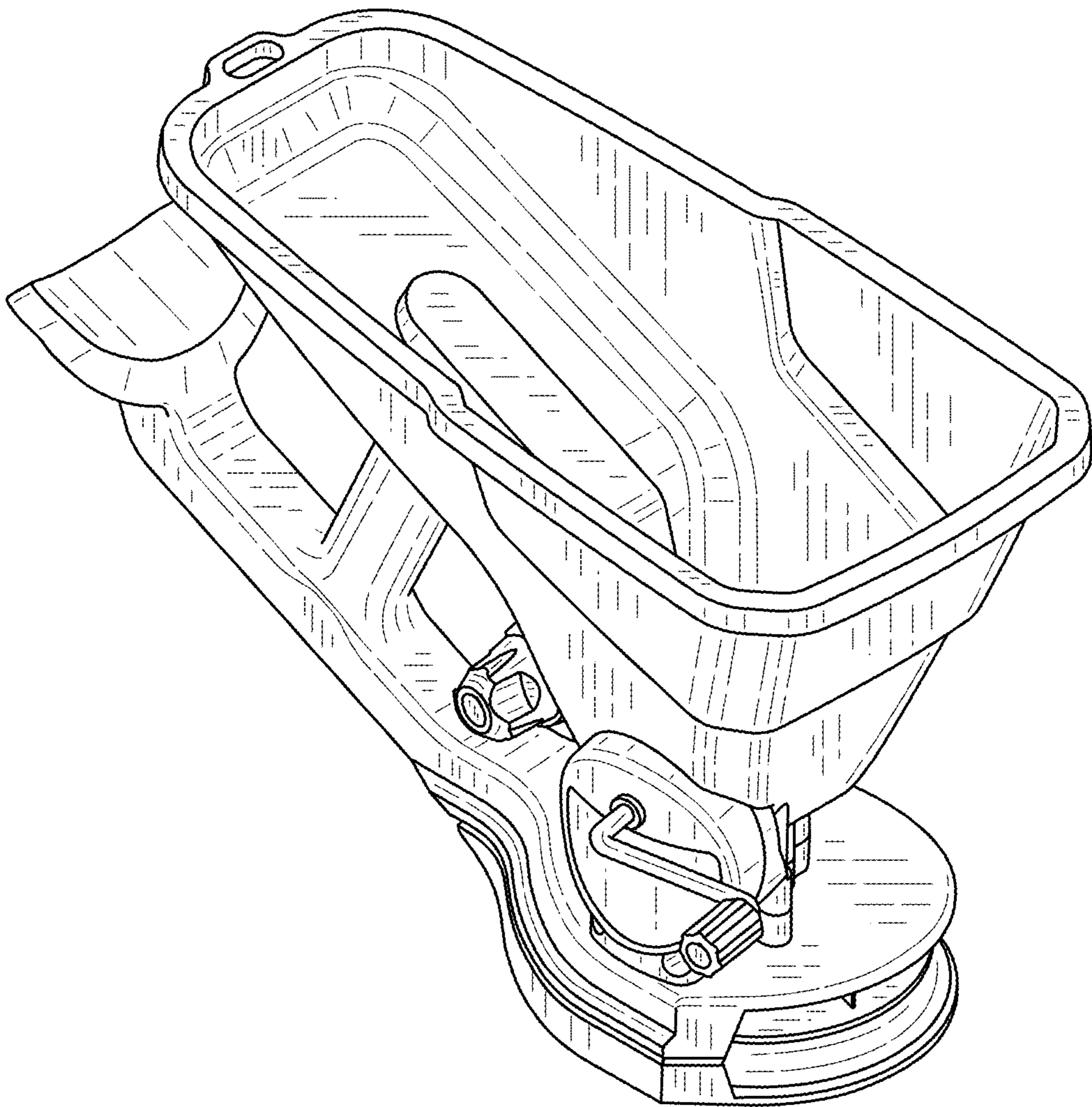


FIG.1

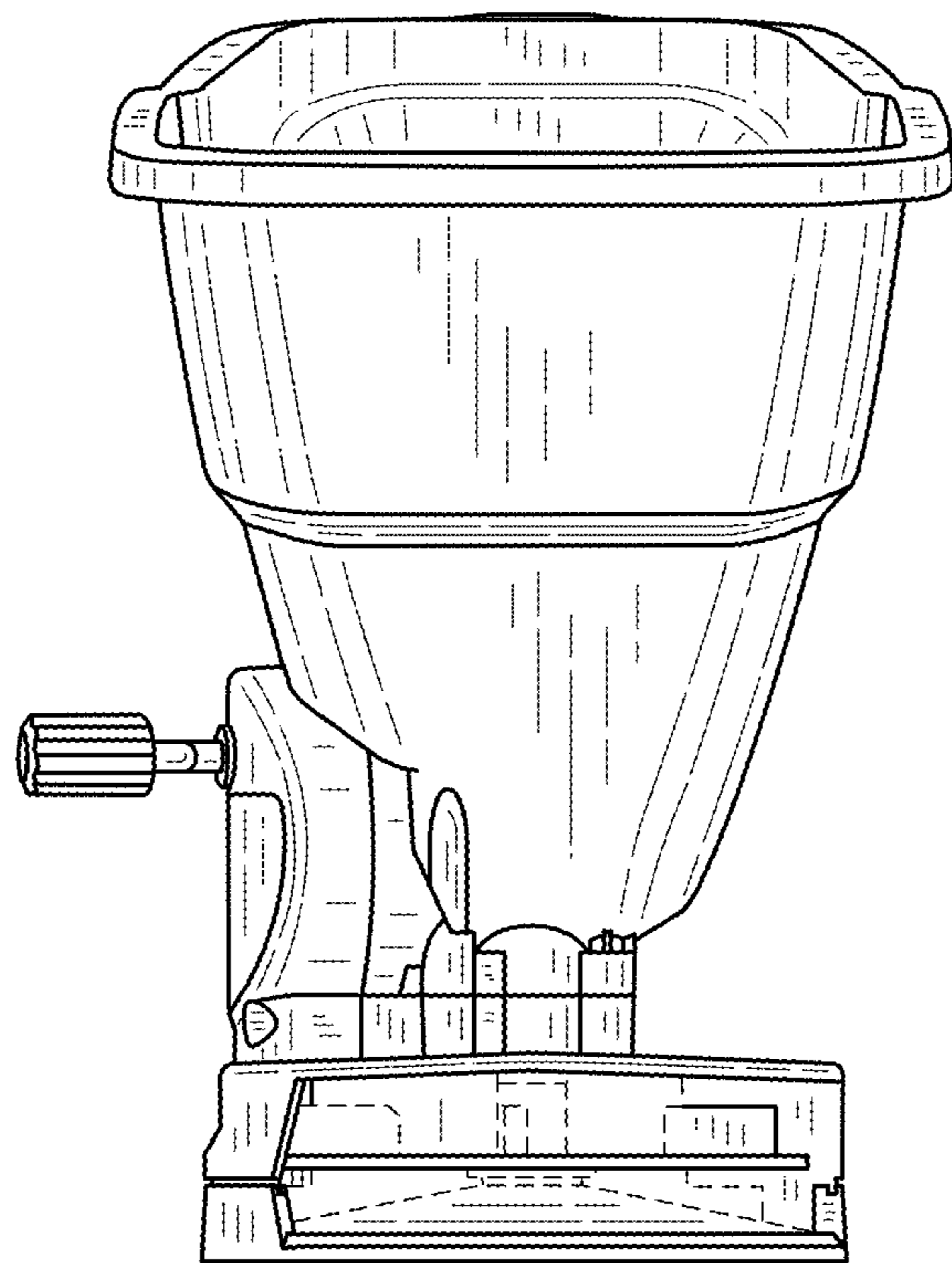


FIG.2

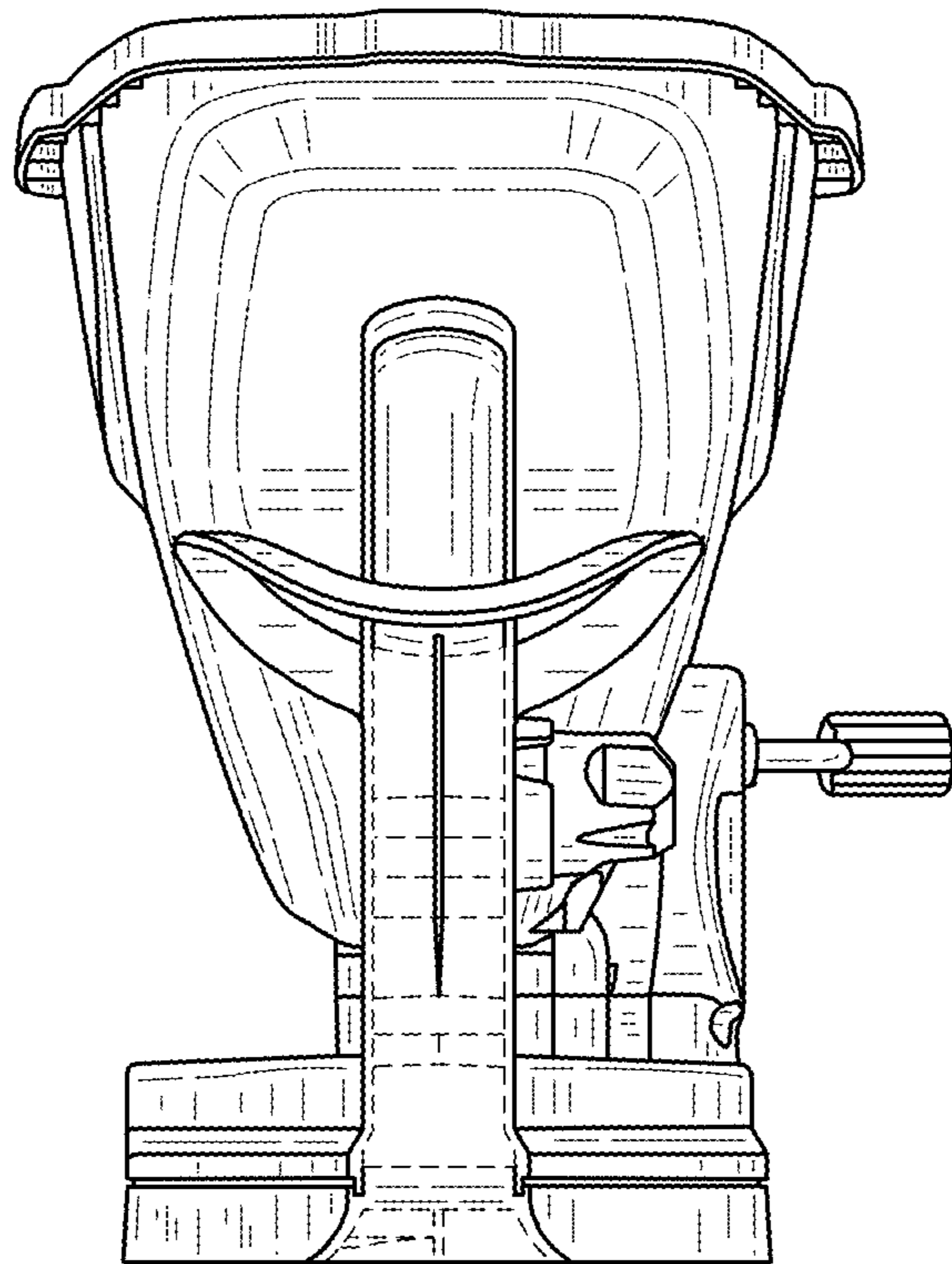


FIG.3



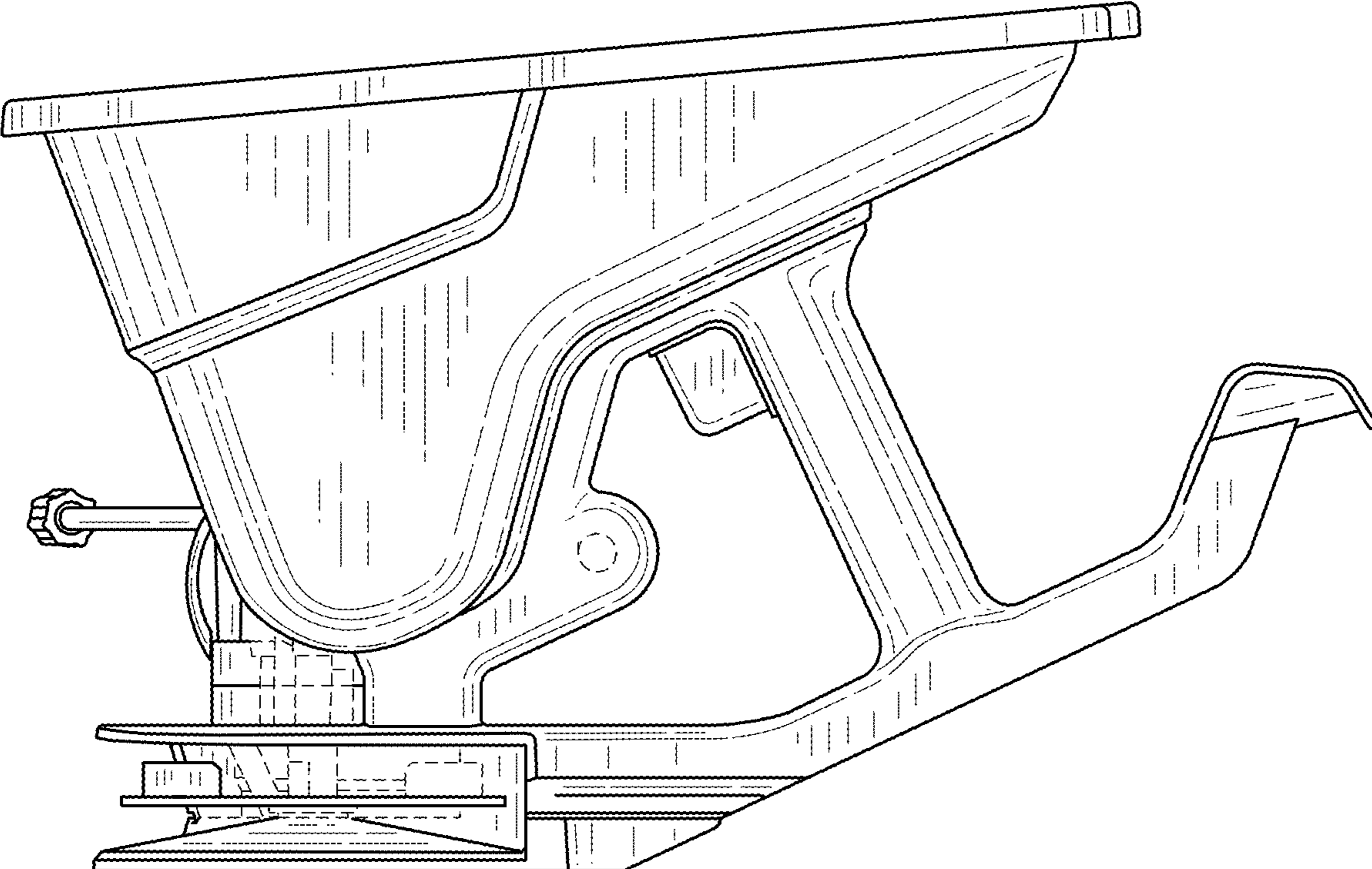


FIG.4

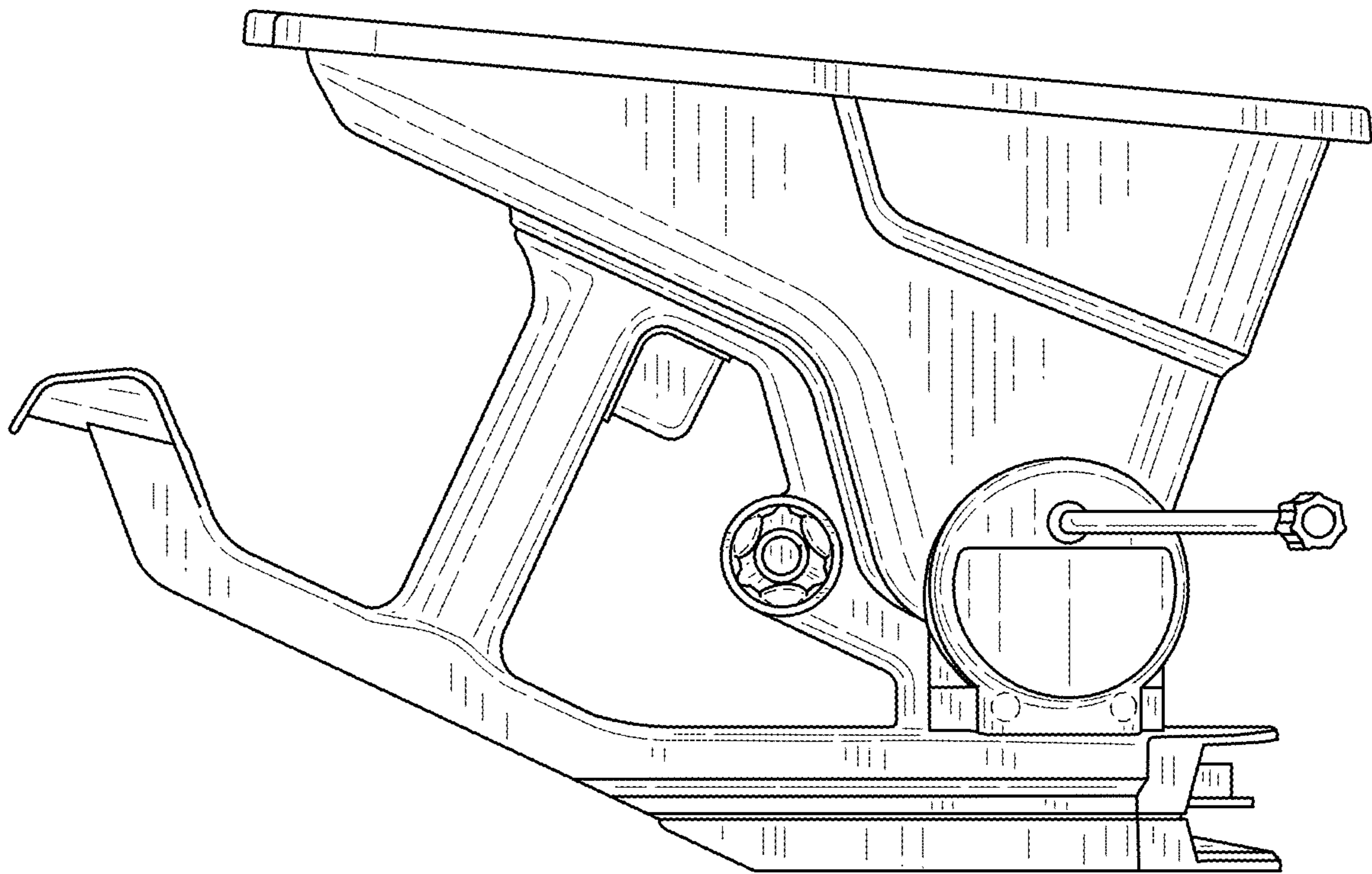


FIG.5

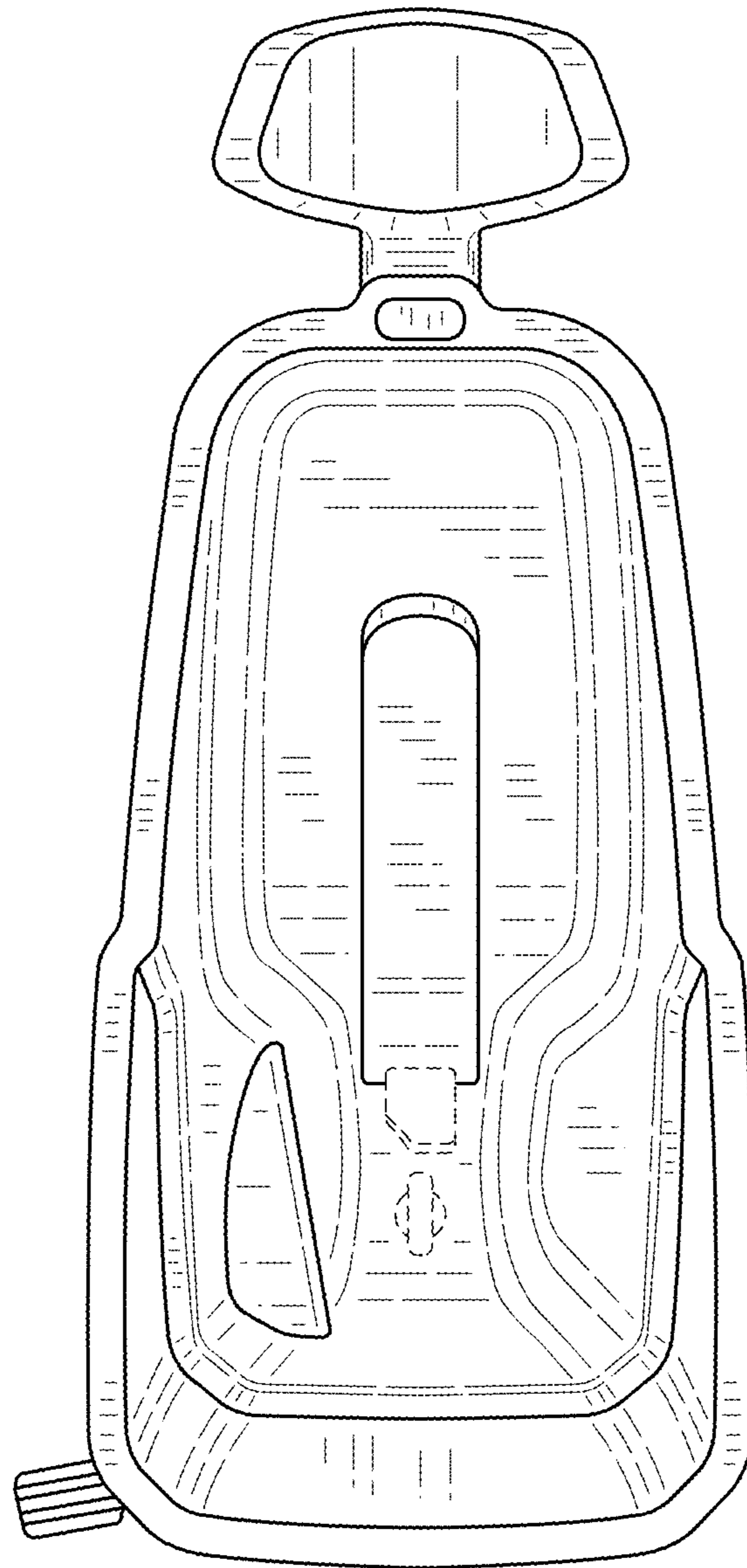


FIG.6



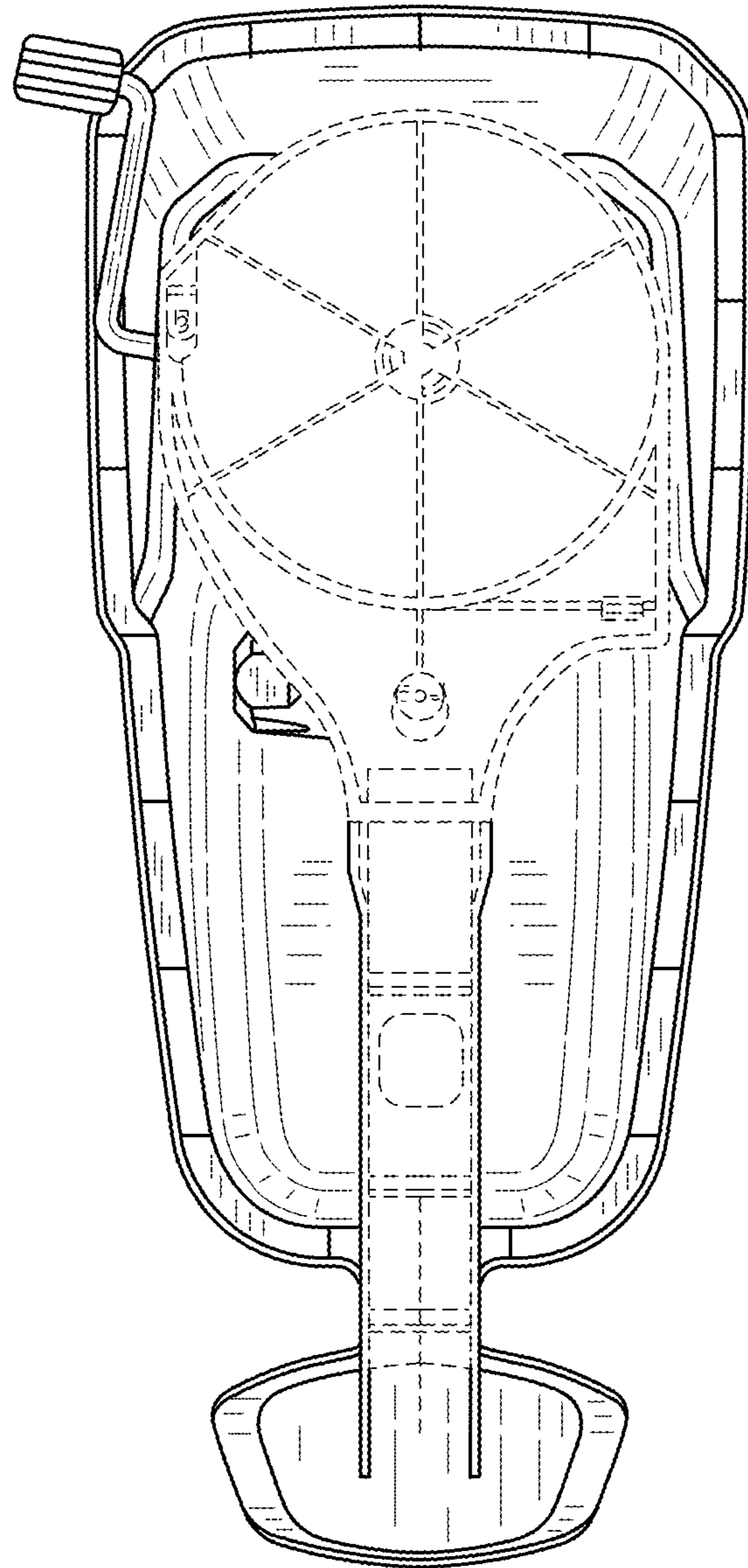


FIG.7