



US00D896038S

(12) **United States Design Patent** (10) **Patent No.:** **US D896,038 S**
Gadd et al. (45) **Date of Patent:** **** Sep. 15, 2020**

(54) **PRODUCT DISPENSER**

Primary Examiner — Cynthia R Underwood

(71) Applicant: **MARS, Incorporated**, McLean, VA (US)

(72) Inventors: **David Gadd**, Chicago, IL (US);
Richard Donaldson, Cumbria (GB);
John MacDonald, Bristol (GB);
Matthew Wright, Bath (GB)

(73) Assignee: **Mars, Incorporated**, McLean, VA (US)

(**) Term: **15 Years**

(21) Appl. No.: **29/664,529**

(22) Filed: **Sep. 26, 2018**

(30) **Foreign Application Priority Data**

Mar. 30, 2018 (EP) 005137908

(51) **LOC (12) Cl.** **07-07**

(52) **U.S. Cl.**
USPC **D7/589**

(58) **Field of Classification Search**
USPC D7/590; 239/13; D9/522, 682;
222/146.5
CPC A47G 19/26; B05B 9/002; B05B 9/005
See application file for complete search history.

(56) **References Cited**

U.S. PATENT DOCUMENTS

D316,830 S *	5/1991	Demakas	D10/46.2
D414,369 S *	9/1999	Miller	D7/300
D476,558 S *	7/2003	Cho	D9/685
8,056,764 B2 *	11/2011	Paasch	G01F 11/028 222/146.5
9,084,499 B2 *	7/2015	Papavero	A47G 19/26
D748,949 S *	2/2016	Long, Sr.	D7/590
D780,517 S *	3/2017	Boroski	D7/511
9,642,503 B1 *	5/2017	Troutman	A47K 10/36
D804,904 S *	12/2017	Noveletsky	D7/510
9,975,676 B2 *	5/2018	Chen	B65D 55/02

(Continued)

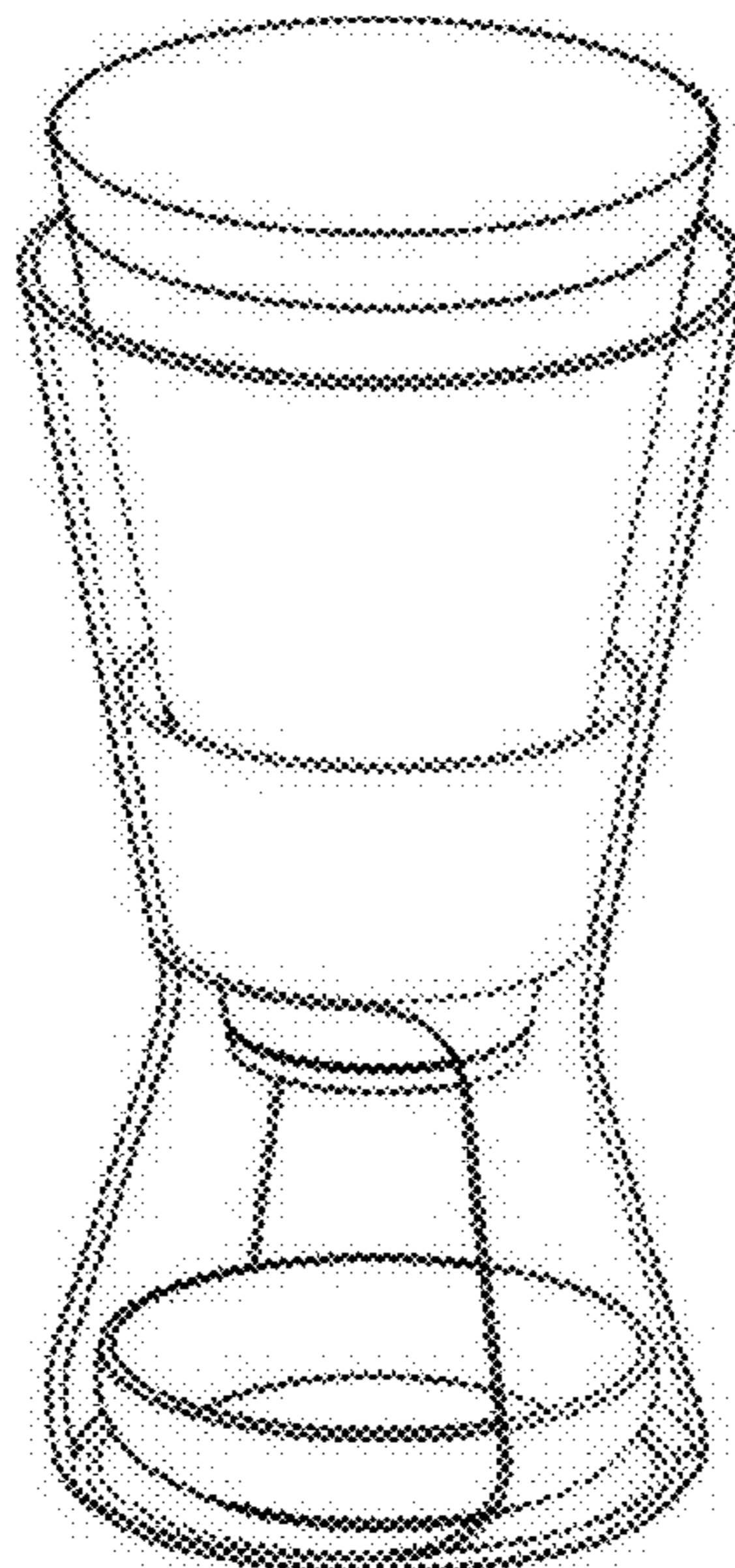
(57) **CLAIM**

We claim the ornamental design for a product dispenser, as substantially shown and described.

DESCRIPTION

FIG. 1 is an elevated perspective view of a product dispenser of the present invention.
 FIG. 2 is a level view of a front side of the product dispenser of the present invention.
 FIG. 3 is a level view of a rear side of the product dispenser of the present invention.
 FIG. 4 is a level view of a right side of the product dispenser of the present invention.
 FIG. 5 is a level view of a left side of the product dispenser of the present invention.
 FIG. 6 is a top plan view of a top side of the product dispenser of the present invention.
 FIG. 7 is a bottom-up view of a bottom side of the product dispenser of the present invention.
 FIG. 8 is an elevated perspective view of a variant of the product dispenser of the present invention.
 FIG. 9 is a level view of a front side of the variant of the product dispenser of the present invention.
 FIG. 10 is a level view of a rear side of the variant of the product dispenser of the present invention.
 FIG. 11 is a level view of a right side of the variant of the product dispenser of the present invention.
 FIG. 12 is a level view of a left side of the variant of the product dispenser of the present invention.
 FIG. 13 is a top plan view of a top side of the variant of the product dispenser of the present invention; and,
 FIG. 14 is a bottom-up view of a bottom side of the variant of the product dispenser of the present invention.

1 Claim, 14 Drawing Sheets



(56)

References Cited

U.S. PATENT DOCUMENTS

D823,127 S * 7/2018 Desdoigts D9/692
D823,128 S * 7/2018 Desdoigts D9/692
10,131,473 B2 * 11/2018 Sterling B65D 41/26
D847,581 S * 5/2019 Gentile D7/602
D854,886 S * 7/2019 Lou D7/510
D857,461 S * 8/2019 Korsmit D7/590
10,383,467 B2 * 8/2019 Chen A47G 19/26
10,392,239 B2 * 8/2019 French B65D 47/2031
D863,891 S * 10/2019 Pochtler D7/590
D874,217 S * 2/2020 Tsai D7/396.2
D881,704 S * 4/2020 Sterling D9/521

* cited by examiner

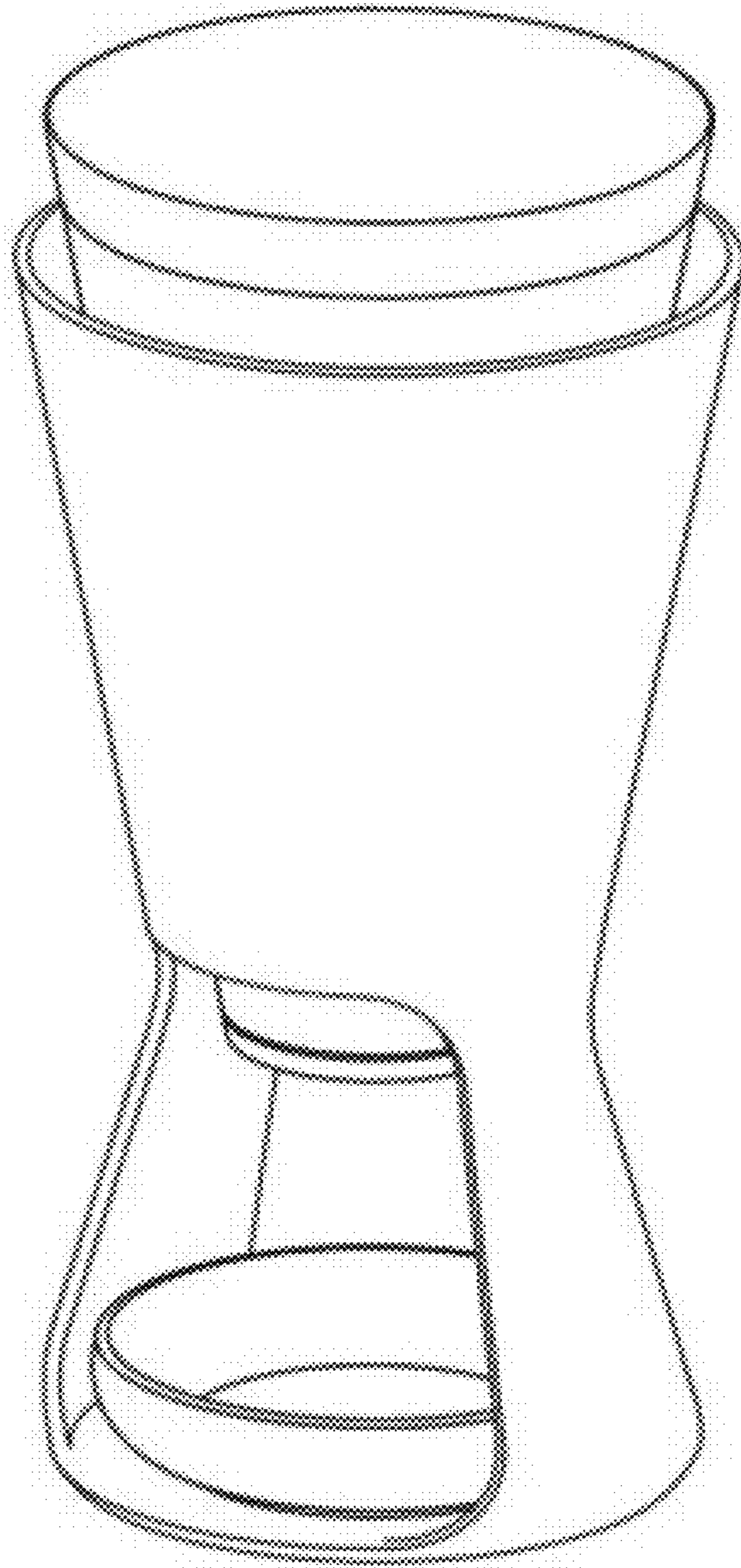


FIG. 1

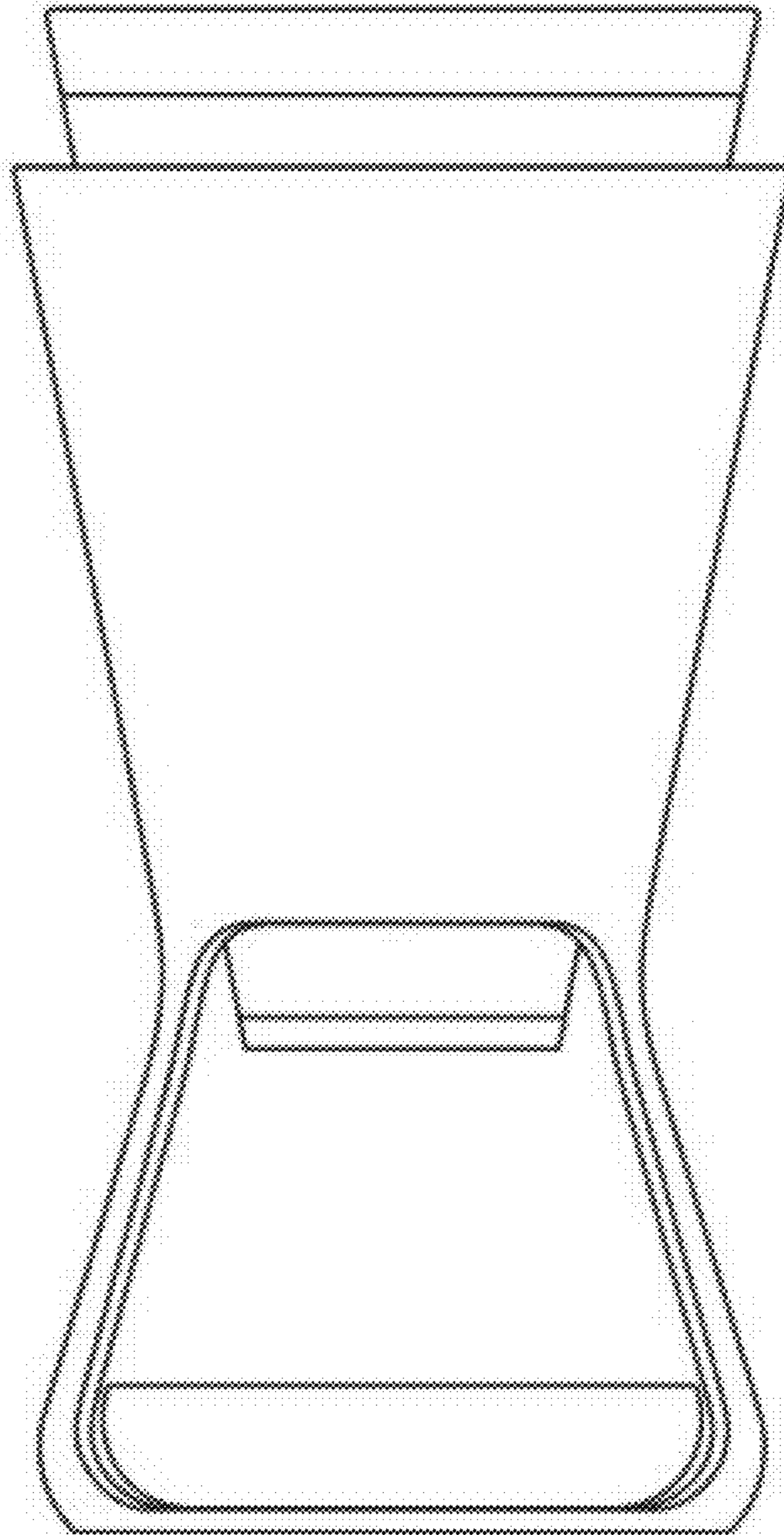


FIG. 2

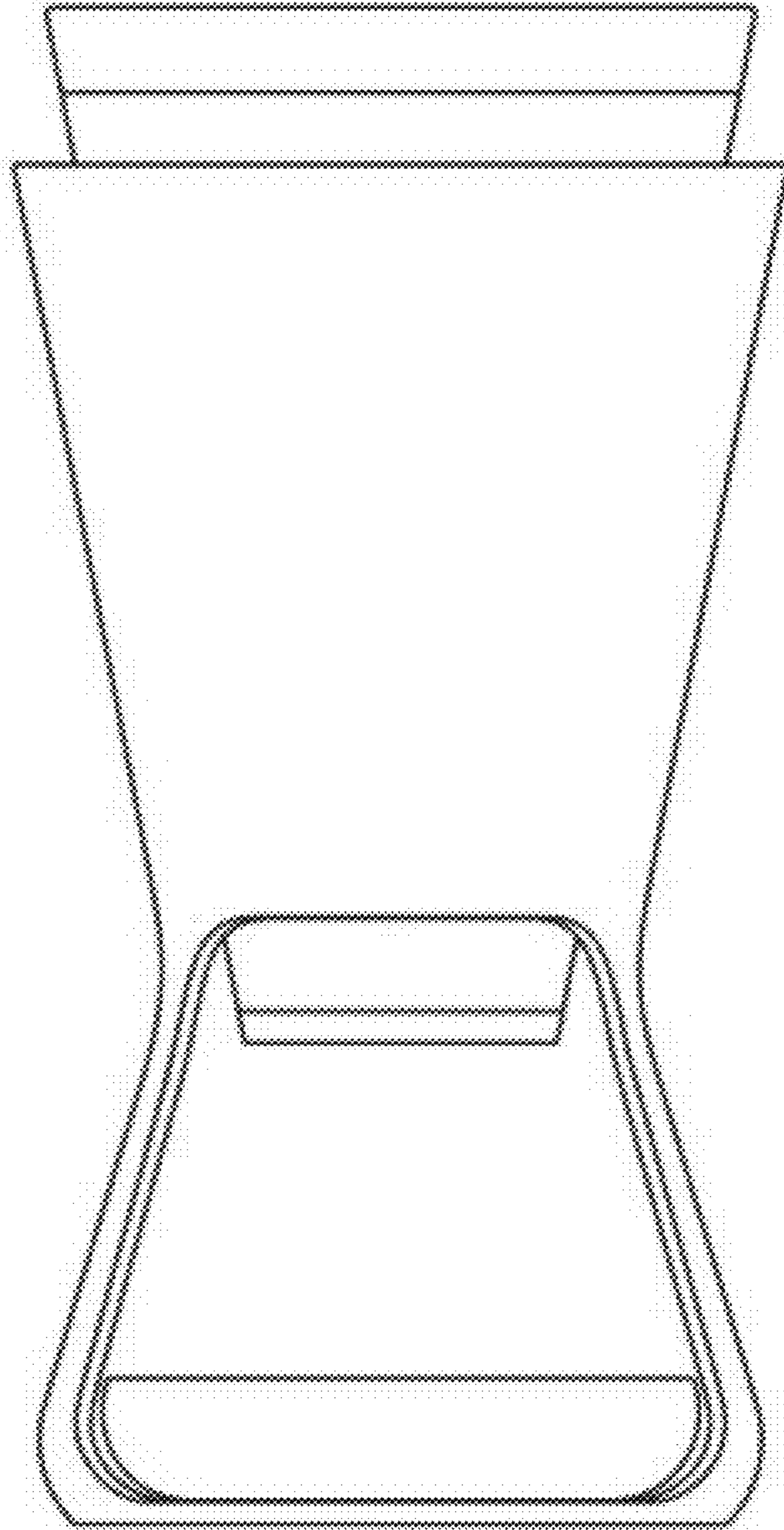


FIG. 3

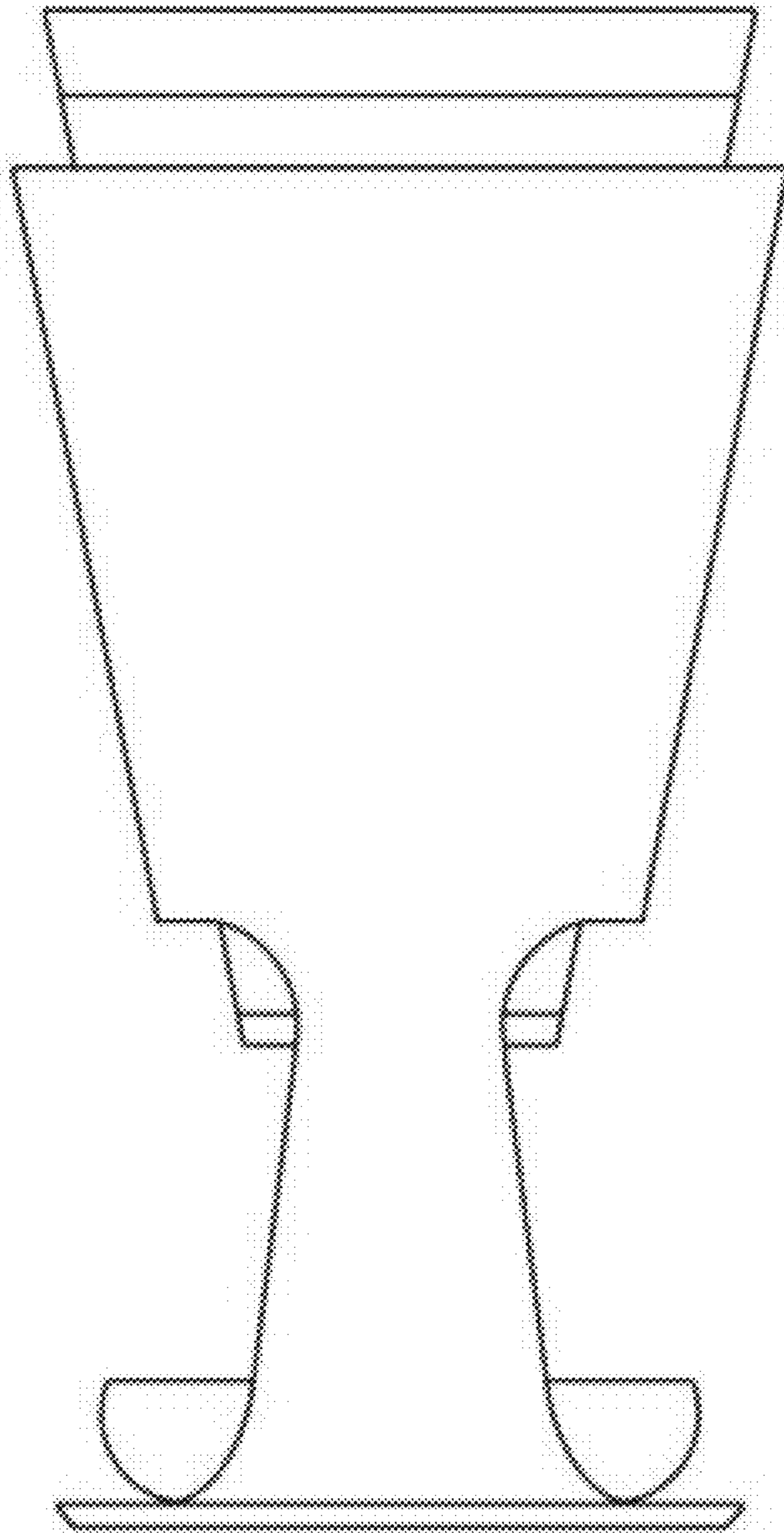


FIG. 4

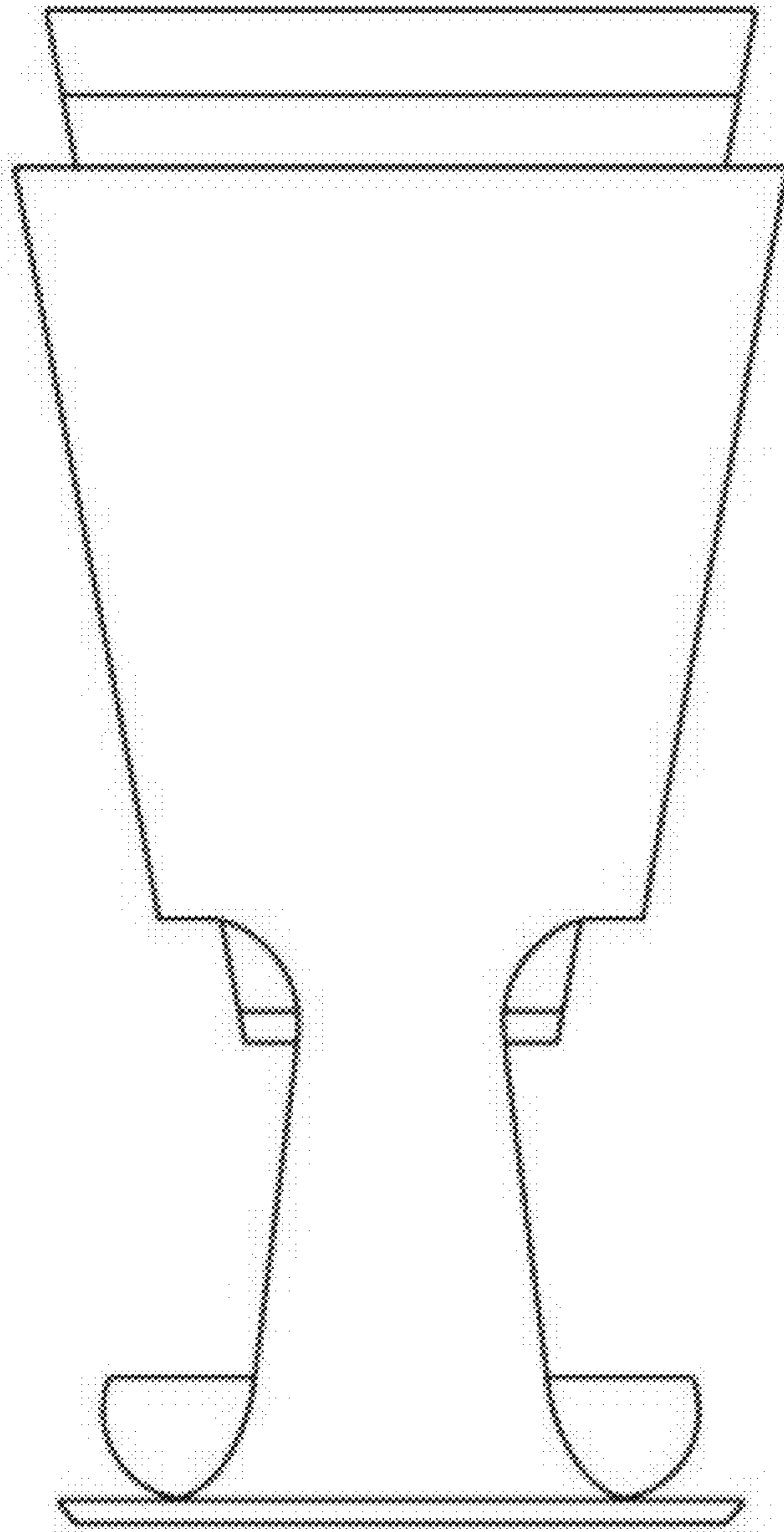


FIG. 5

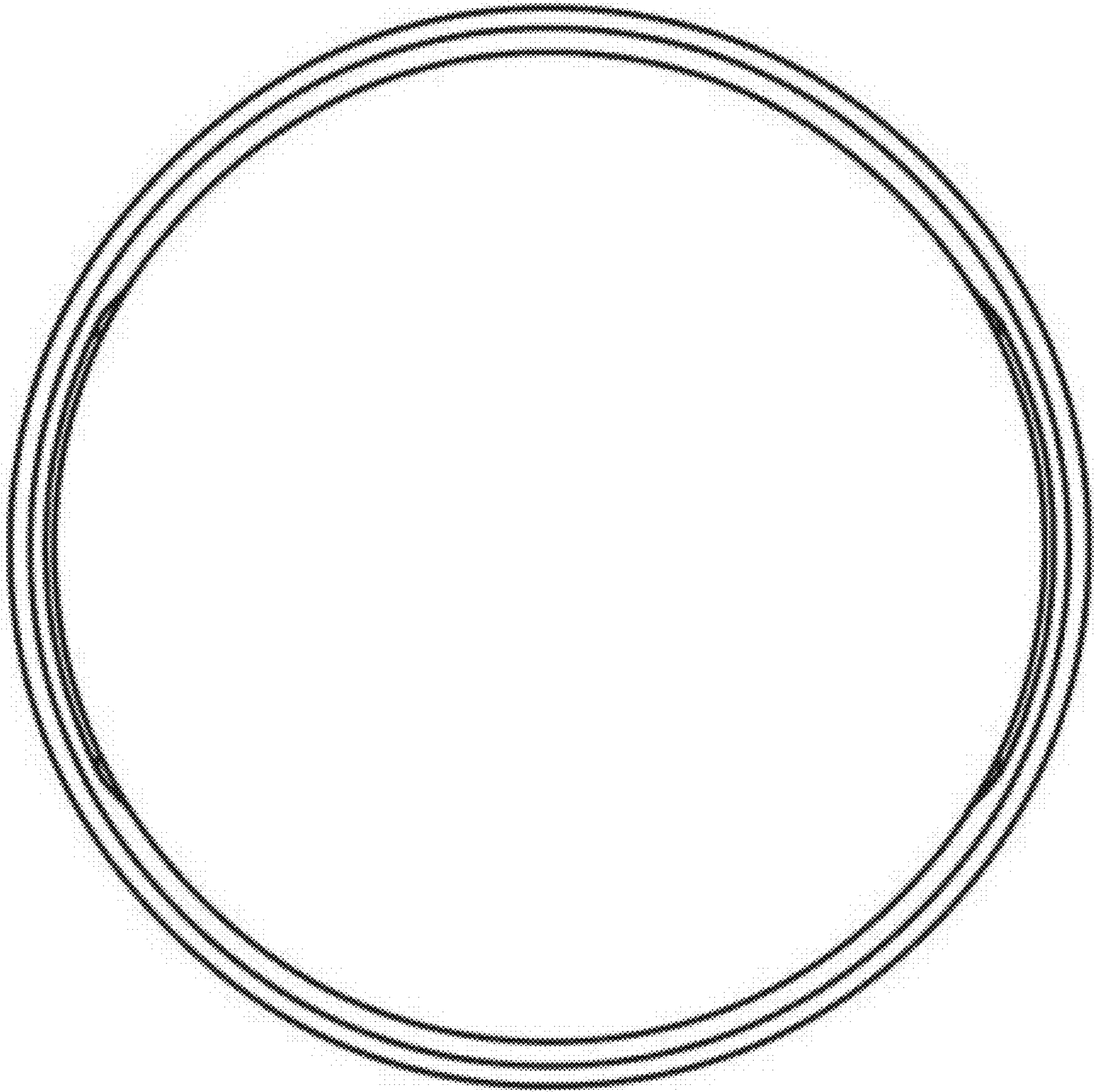


FIG. 6

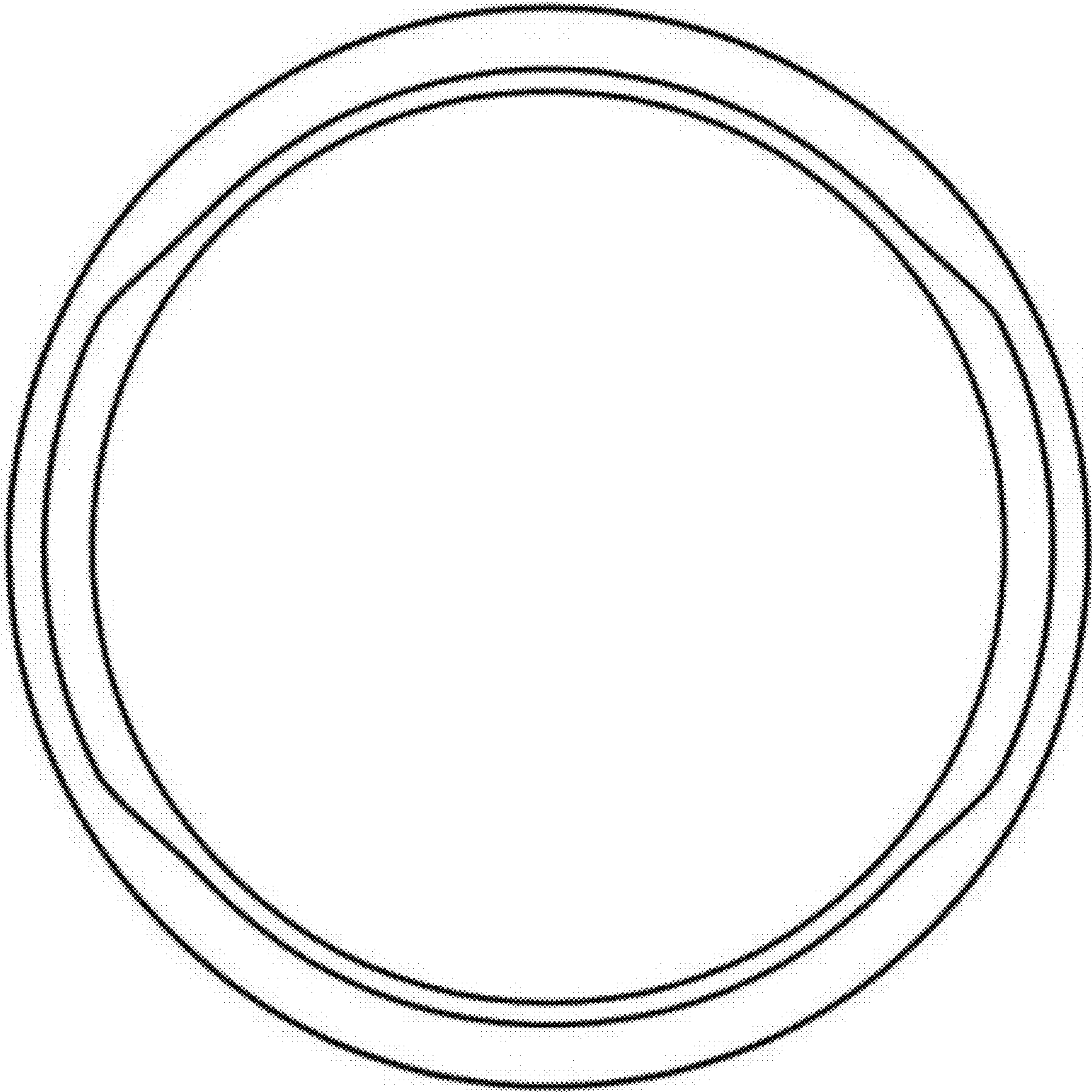


FIG. 7

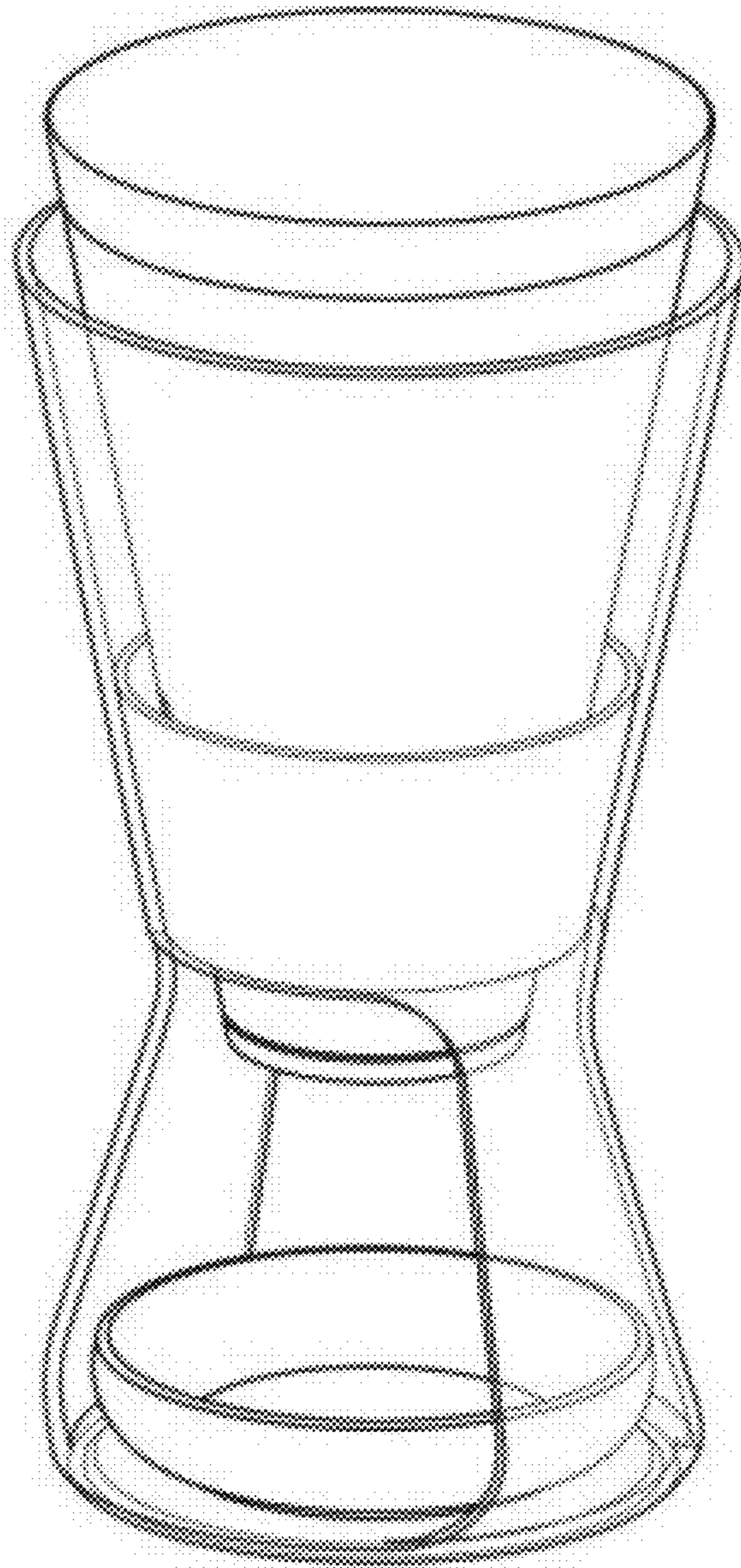


FIG. 8

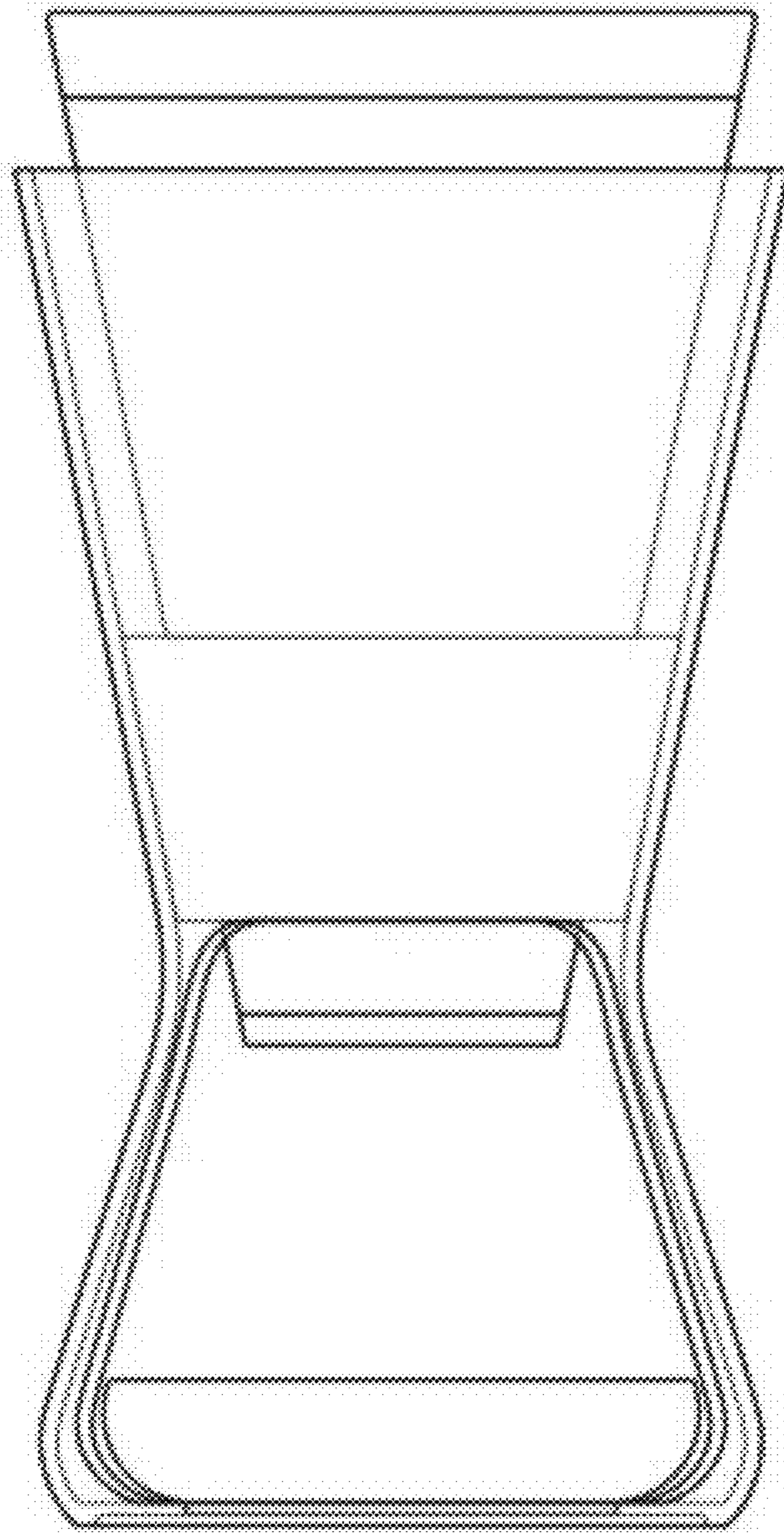


FIG. 9

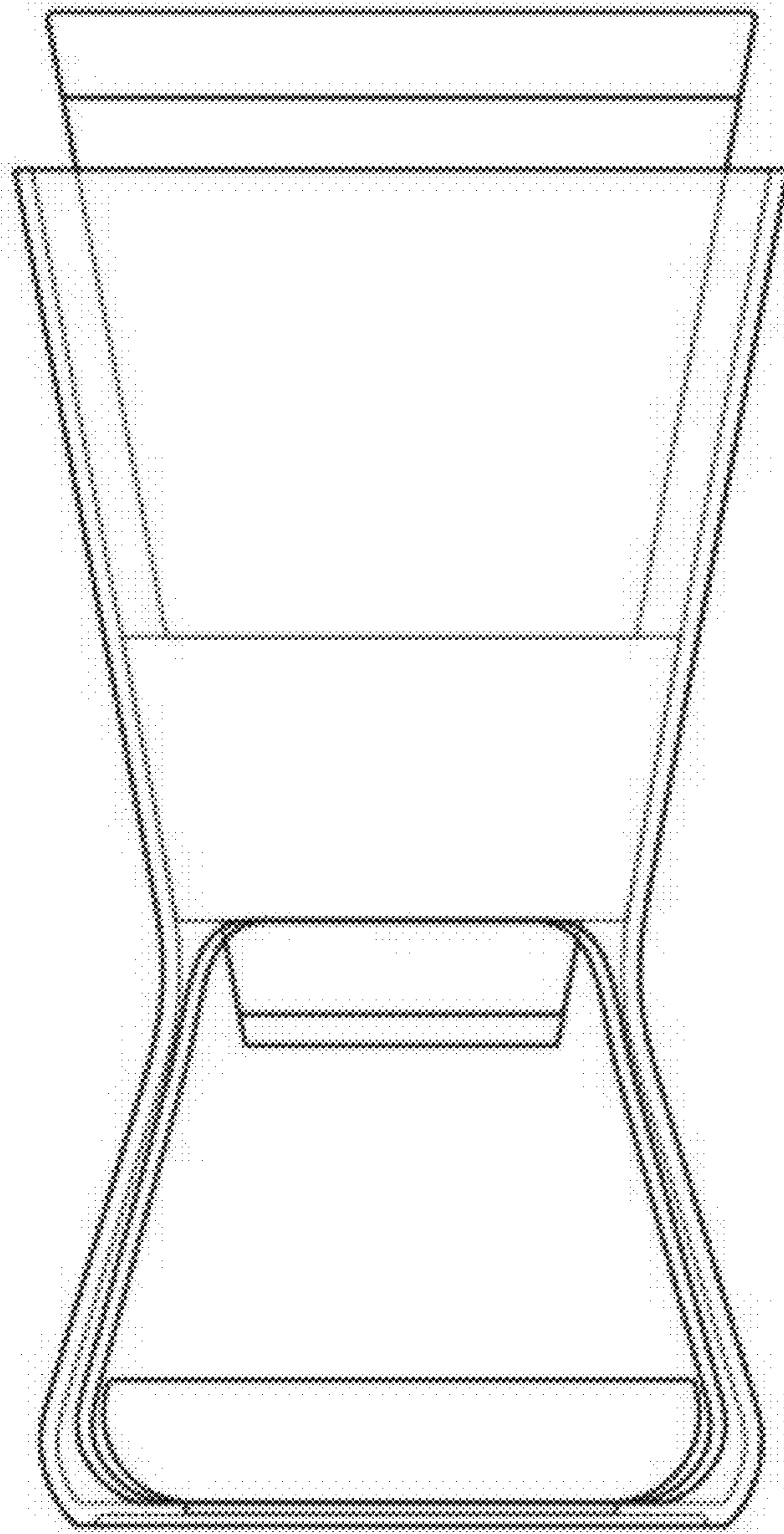


FIG. 10

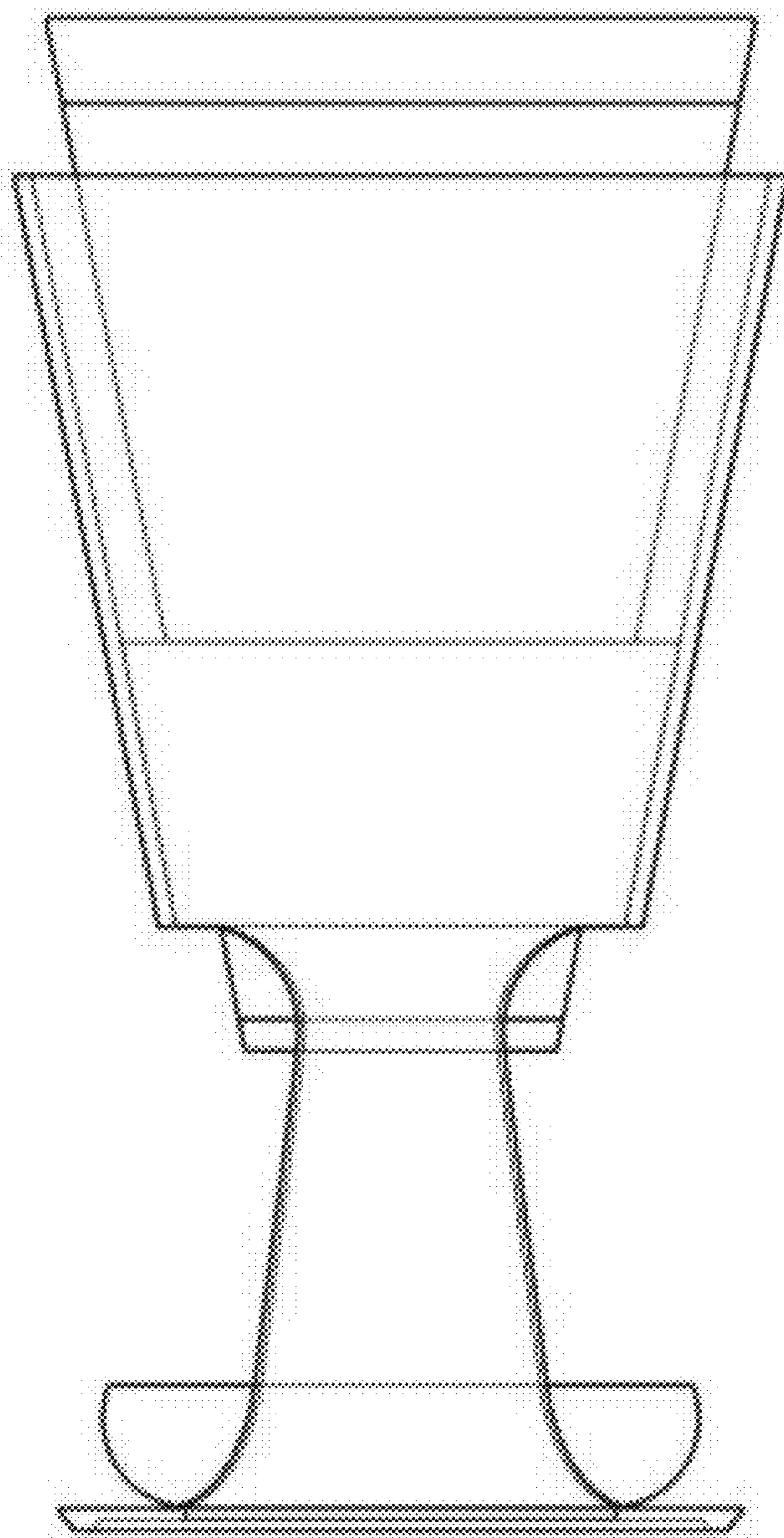


FIG. 11

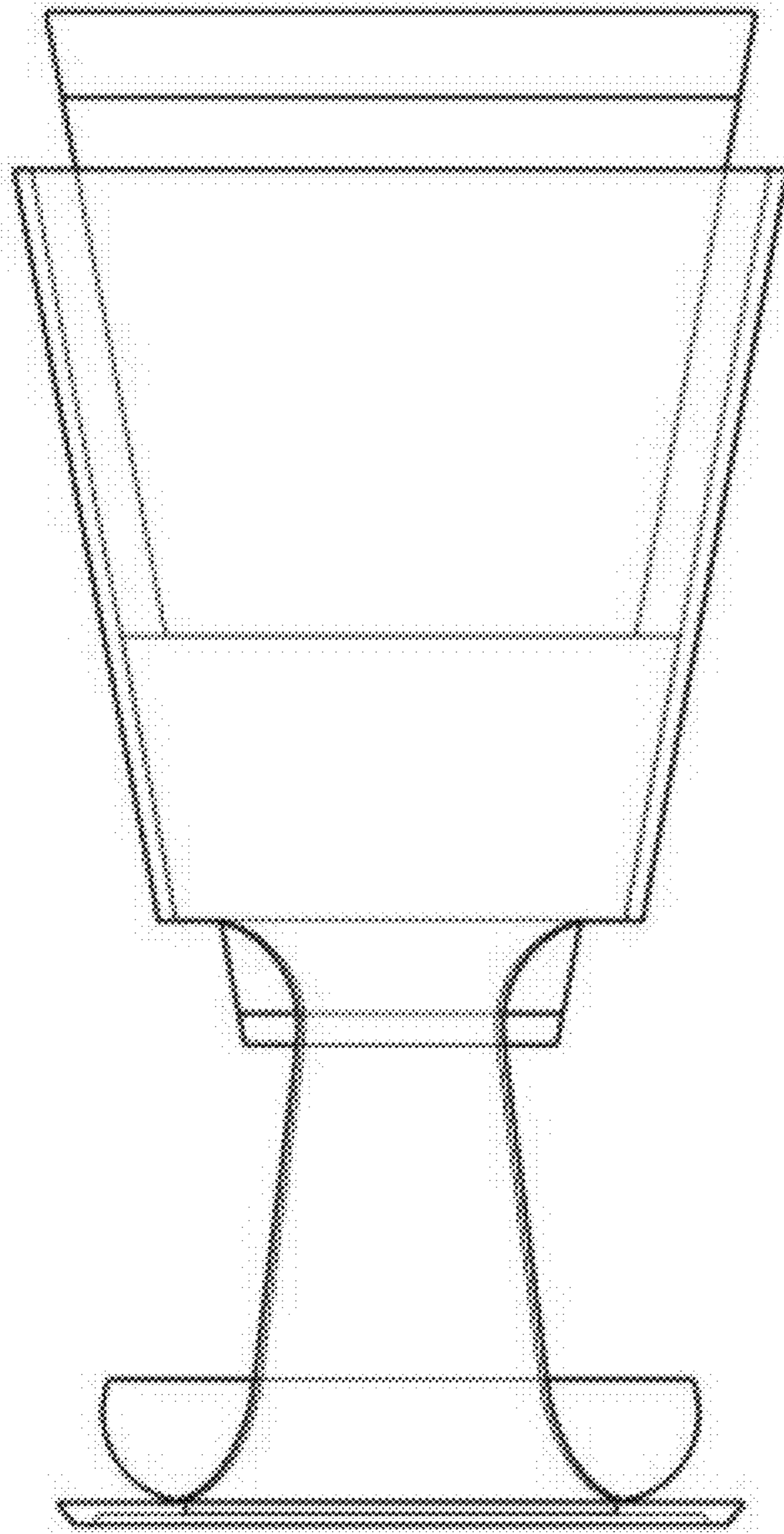


FIG. 12

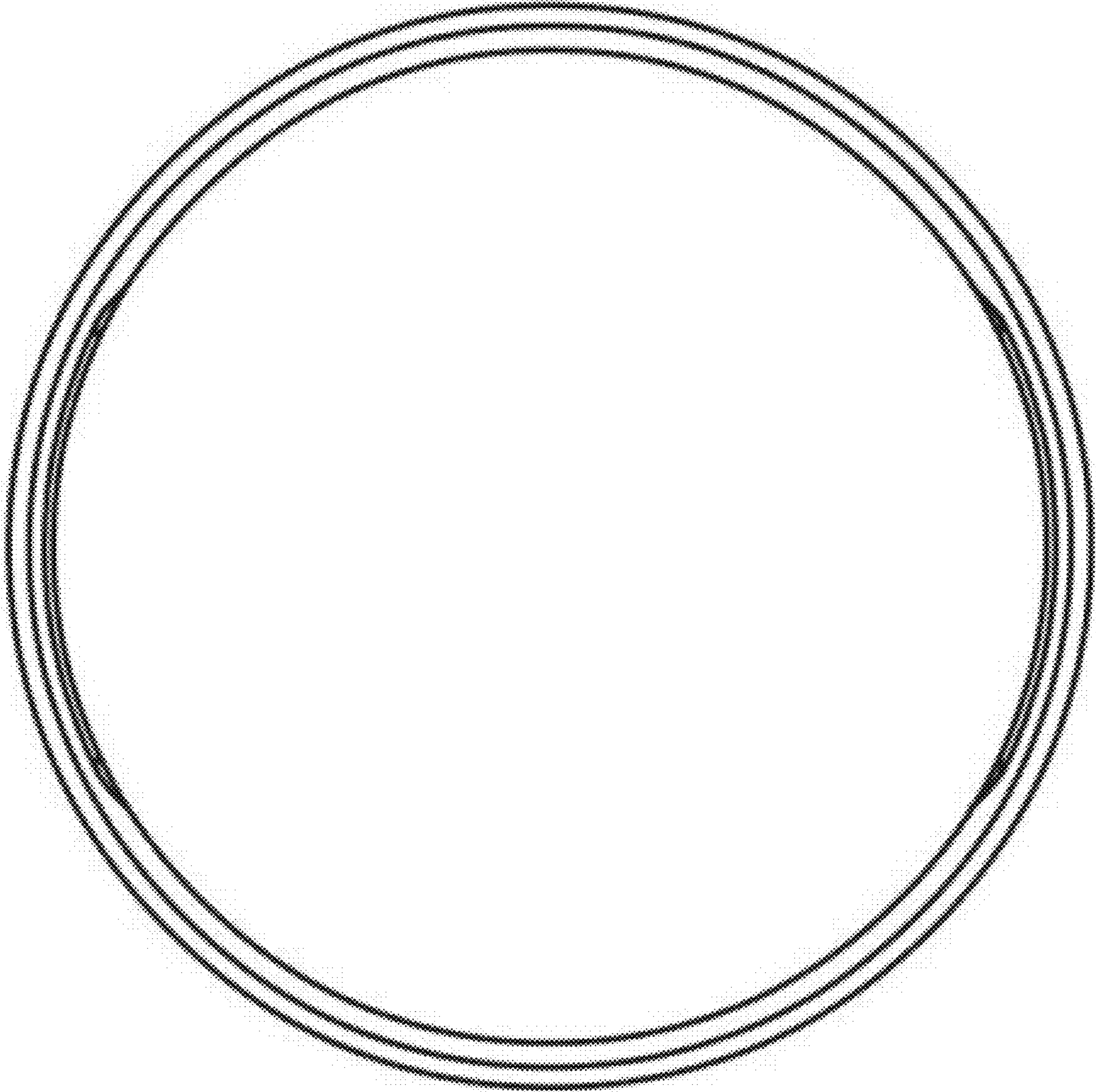


FIG. 13

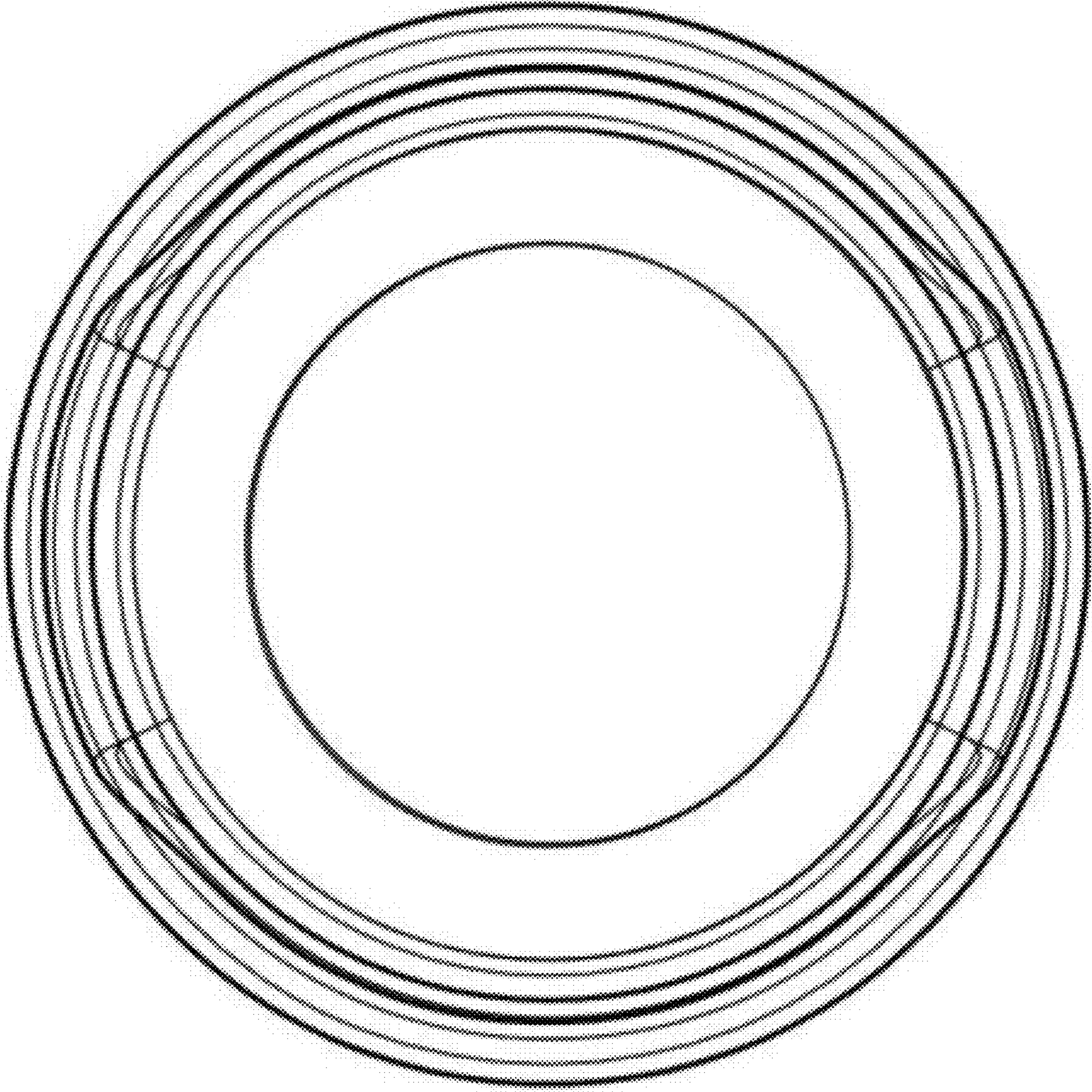


FIG. 14