



US00D896034S

(12) **United States Design Patent** (10) **Patent No.:** **US D896,034 S**  
**Bellis et al.** (45) **Date of Patent:** **\*\* Sep. 15, 2020**

(54) **COMBINED BOTTLE AND HOLDER**  
(71) Applicants: **Michael Bellis**, West Hartford, CT  
(US); **Colin Santacroce**, Chapel Hill,  
NC (US)

6,397,624 B1 6/2002 Horwell  
D463,715 S 10/2002 Dretzka  
D490,274 S 5/2004 Irvine  
D584,938 S \* 1/2009 Steele ..... D8/359  
(Continued)

(72) Inventors: **Michael Bellis**, West Hartford, CT  
(US); **Colin Santacroce**, Chapel Hill,  
NC (US)

**FOREIGN PATENT DOCUMENTS**

FR 972671 A 2/1951

(\*\*) Term: **15 Years**

**OTHER PUBLICATIONS**

(21) Appl. No.: **29/630,929**

“Wine Barrel Wine Chiller,” Wine Vine Imports, winevineimports.com, SKU#: 2BHS3459, accessed: Oct. 2017. <https://winevineimports.com/wine-barrel-wine-bottle-holder/> This advertisement shows a wine bottle chiller featuring a miniature wine barrel ornamental design. The product is also shown in an Amazon advertisement.

(22) Filed: **Dec. 23, 2017**

(Continued)

(51) **LOC (12) Cl.** ..... **07-01**

(52) **U.S. Cl.**  
USPC ..... **D7/514**; D7/506; D9/517

(58) **Field of Classification Search**  
USPC ..... D7/505, 506, 507, 514, 515, 523, 528,  
D7/300, 305, 602–604, 619.1, 619.2, 571,  
D7/572, 589, 592, 598; D9/719, 738,  
D9/739, 764, 772, 773, 516, 517, 549;  
D34/39

*Primary Examiner* — Susan E Krakower  
*Assistant Examiner* — Andrew Kerr  
(74) *Attorney, Agent, or Firm* — Raymond A. Nuzzo

CPC ..... A47G 23/02; A47G 23/0241; A47G  
2023/0275; A47J 47/16

(57) **CLAIM**

The ornamental design for a combined bottle and holder, as shown and described.

See application file for complete search history.

**DESCRIPTION**

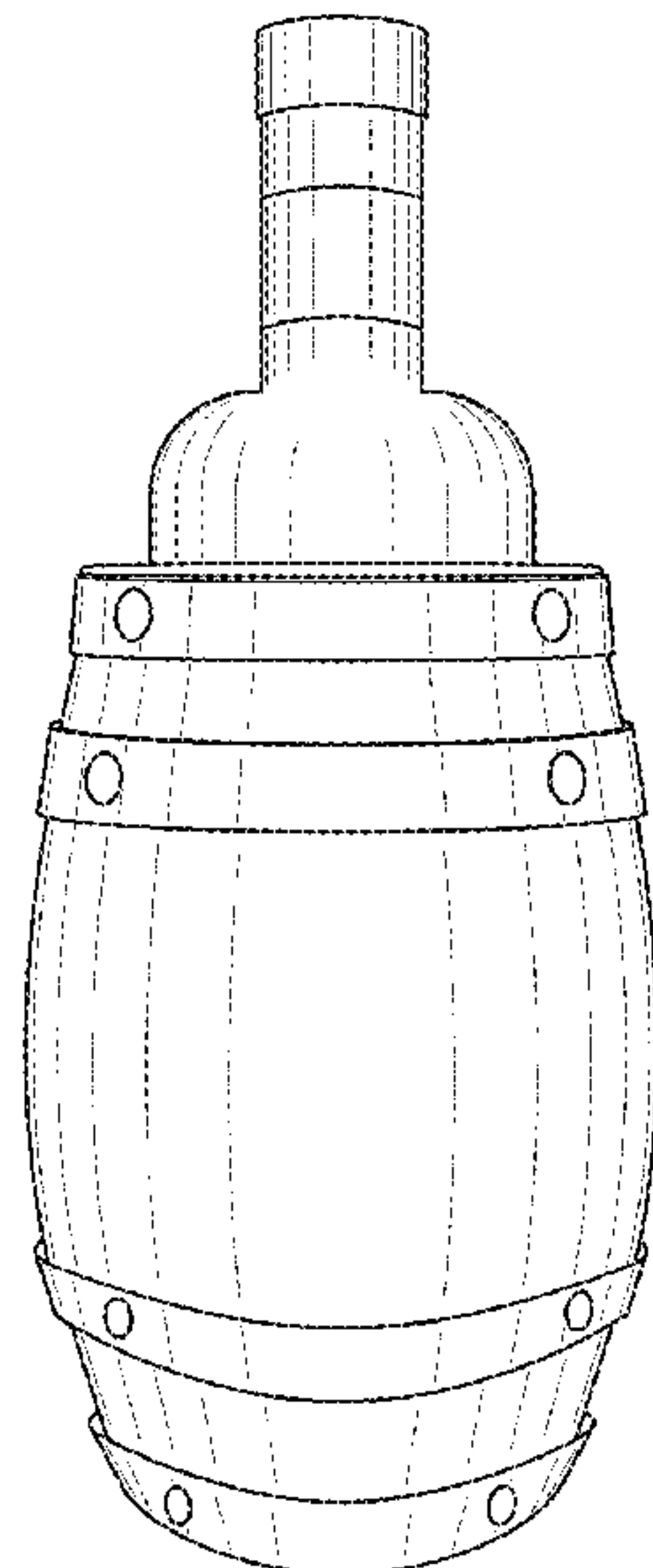
(56) **References Cited**

**U.S. PATENT DOCUMENTS**

3,434,302 A 3/1969 Stoner  
D226,476 S \* 3/1973 Cooper ..... D9/633  
D239,923 S \* 5/1976 Lynd ..... D9/633  
D266,391 S \* 10/1982 Jordon ..... D7/608  
D271,564 S \* 11/1983 Cooper ..... D9/633  
D276,499 S 11/1984 Kamada  
D301,821 S \* 6/1989 Bartolo ..... D7/608  
D303,601 S \* 9/1989 Silveira ..... D7/515  
D309,847 S 8/1990 Scheurer  
D327,093 S \* 6/1992 Evenson ..... D19/77  
D410,566 S \* 6/1999 Bartolotta ..... D27/188

FIG. 1 is a front perspective view of a combined bottle and holder showing our new design;  
FIG. 2 is a left side perspective view of a combined bottle and holder thereof;  
FIG. 3 is a rear perspective view of a combined bottle and holder thereof;  
FIG. 4 is a top view of the combined bottle and holder thereof; and,  
FIG. 5 is a bottom view of the combined bottle and holder thereof.  
The broken lines in FIG. 5 depict portions of the combined bottle and holder and form no part of the claimed design.

**1 Claim, 5 Drawing Sheets**



(56)

**References Cited**

U.S. PATENT DOCUMENTS

D586,228	S *	2/2009	McWillis .....	D6/674
D610,024	S *	2/2010	Lepoitevin .....	D9/773
D612,215	S *	3/2010	Bergen .....	D7/636
D640,033	S	6/2011	Magrenan	
8,007,881	B2	8/2011	Kamite	
8,092,673	B2	1/2012	Flick	
8,251,247	B1	8/2012	Breckner	
D761,119	S *	7/2016	Crystal .....	D9/550
D781,931	S *	3/2017	Sherman .....	D15/80
D786,628	S	5/2017	Chisholm	
D817,182	S *	5/2018	Fleischhacker .....	D9/633
D836,406	S *	12/2018	Roberts .....	D7/624.2

OTHER PUBLICATIONS

“Personalized Rustic Ice Bucket,” Wine Vine Imports, winevineimports.com, SKU#: CC2292, accessed: Oct. 2017. <https://winevineimports.com/personalized-rustic-ice-bucket/>

Discloses a personalized ice bucket that embodies the appearance of a barrel.

“2 Men and a Barrel Wine Bottle Holder,” The Feel Good Shop, thefeelgoodshop.com, accessed: Oct. 2017. <https://www.thefeelgoodshop.com/products/2-men-and-a-barrel-wine-bottle-holder?variant=6244078981> Discloses an ornamental wine bottle holder.

“Wine Barrel Stave Bottle Chiller,” Etsy, etsy.com, poster: AWine-ofaKind, accessed: Oct. 2017. <https://www.etsy.com/listing/255613935/wine-barrel-stave-bottle-chiller> Discloses a handmade bottle chiller made from reclaimed wine barrel staves.

“TheopWine Barrel Shaped Wine Cork Holder,” Amazon, amazon.com, ASIN: B01F1H0QYG, May 2, 2016. <https://www.amazon.com/TheopWine-Barrel-Shaped-Wine-Holder/dp/B01F11-10QYG/> Discloses a decorative wine barrel shaped cork holder.

\* cited by examiner

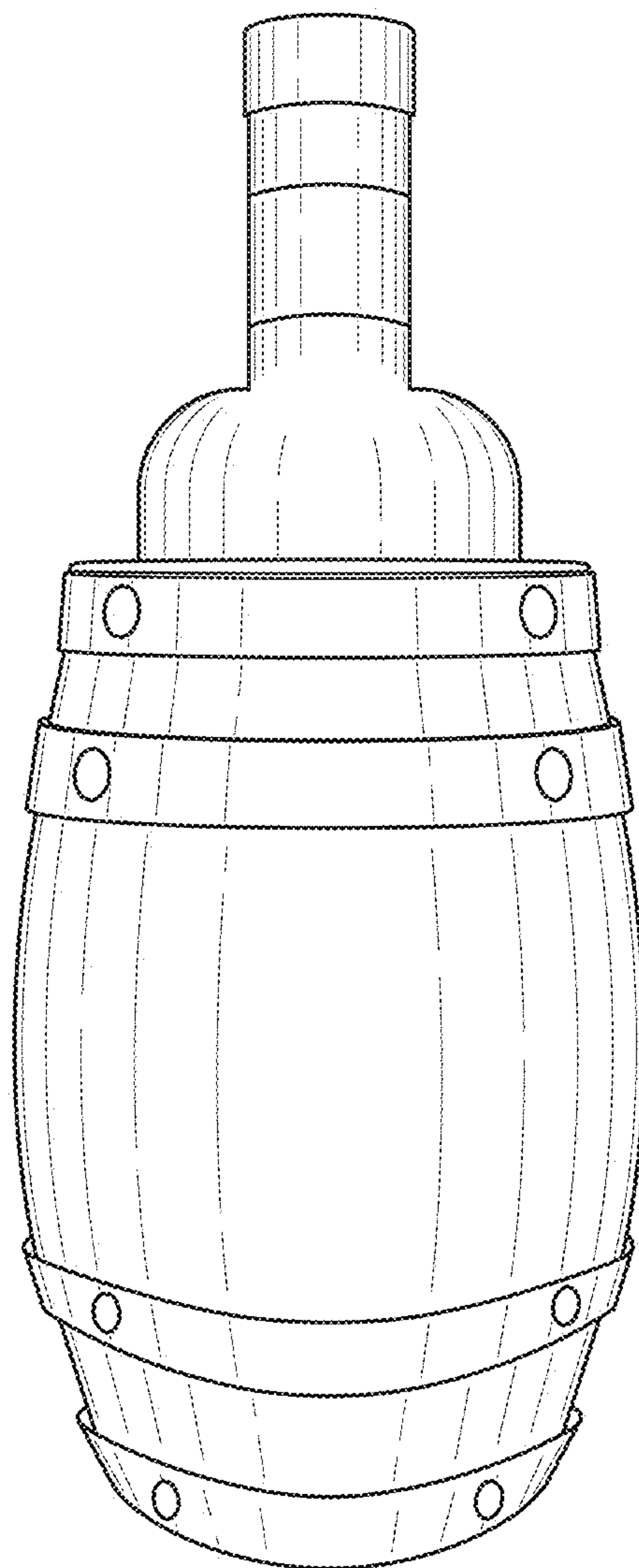


FIG. 1

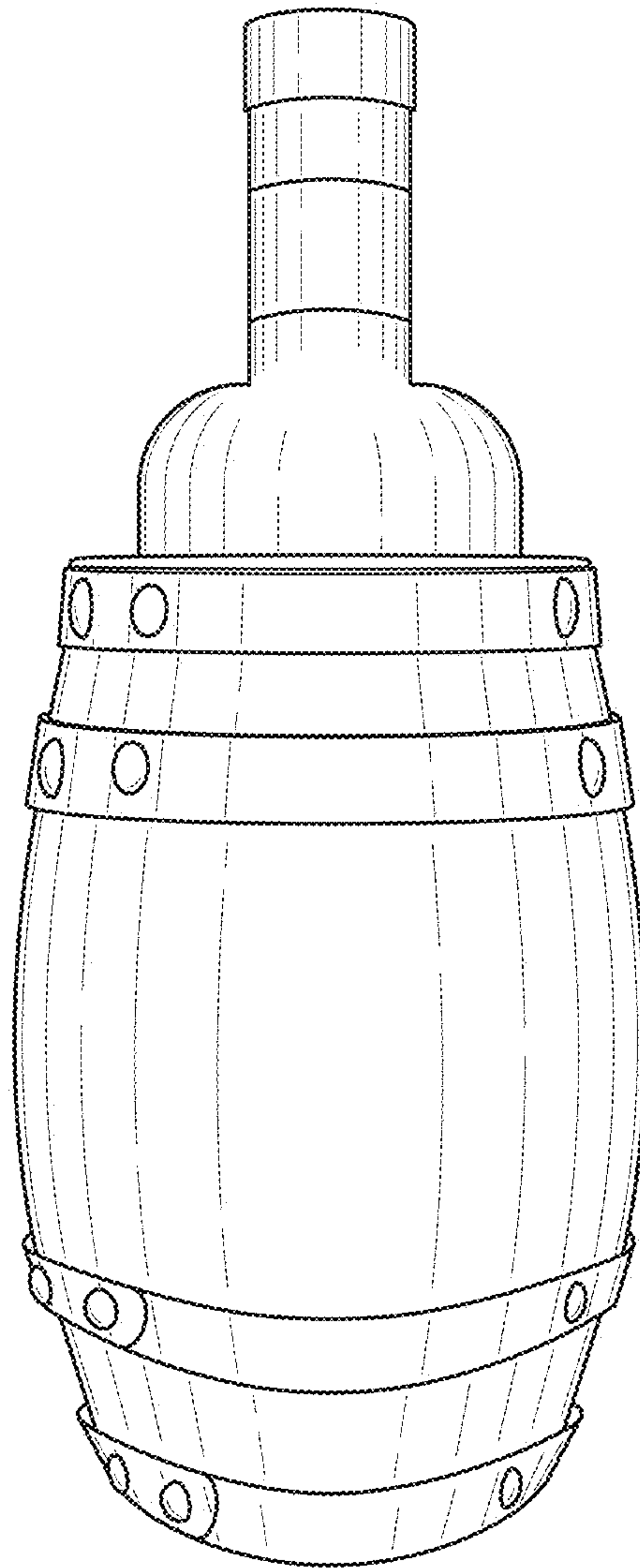


FIG. 2

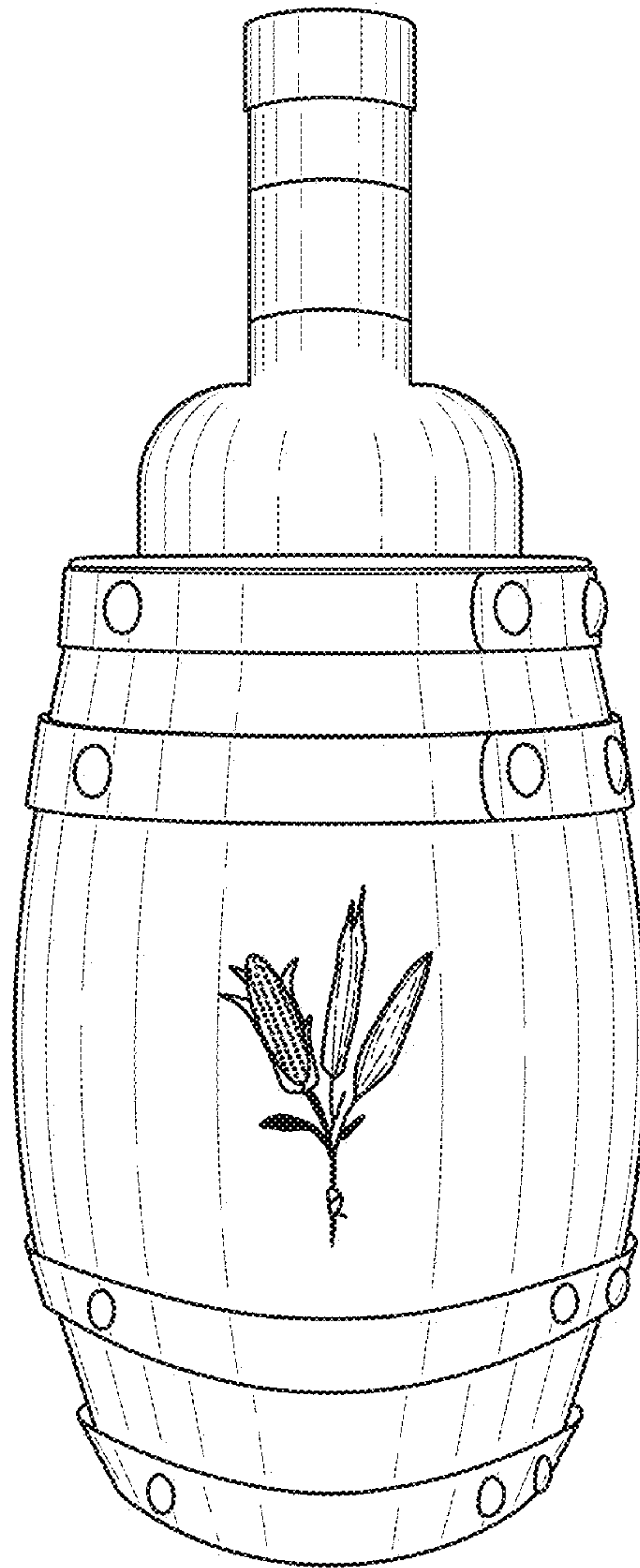


FIG. 3



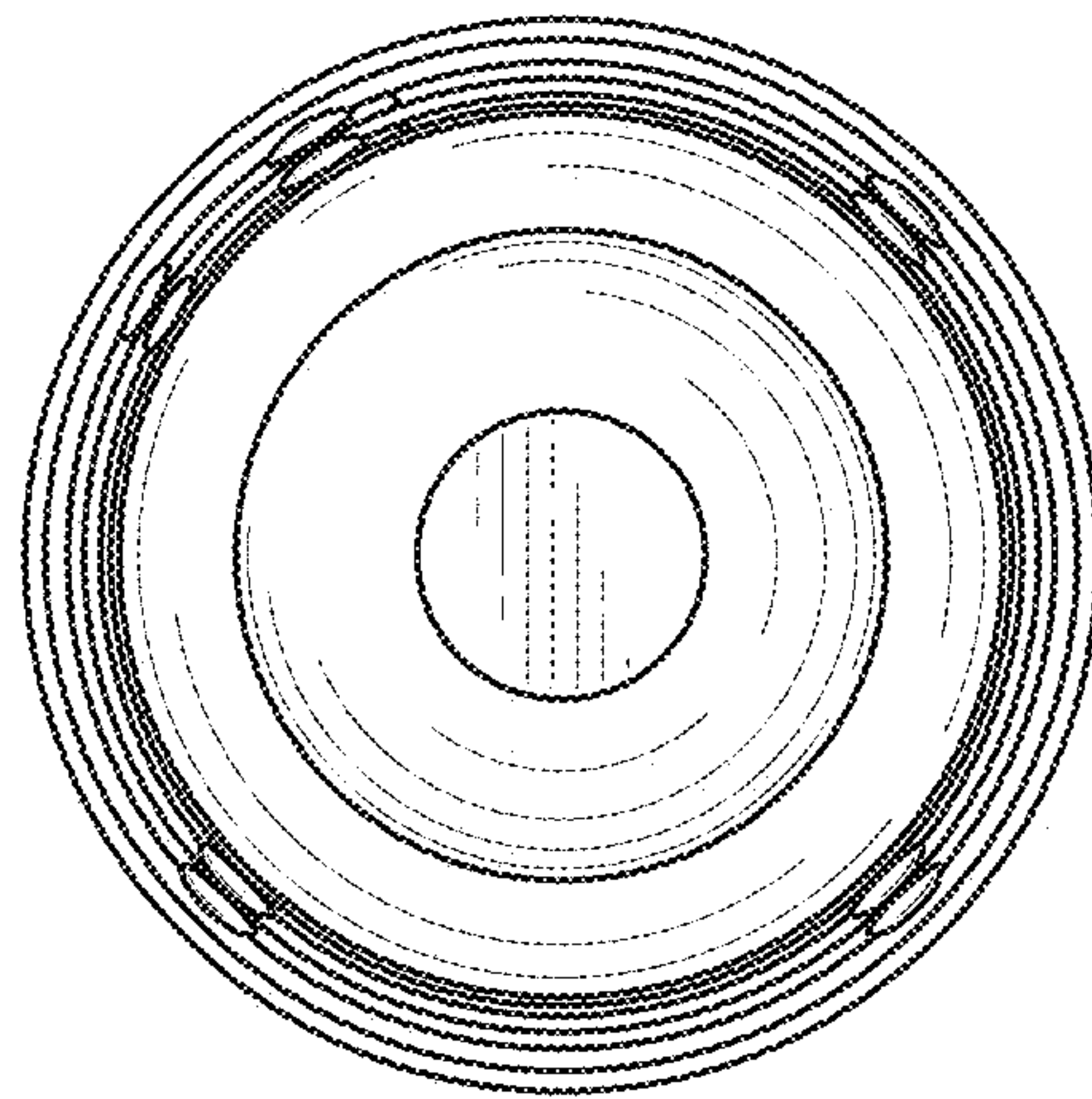


FIG. 4

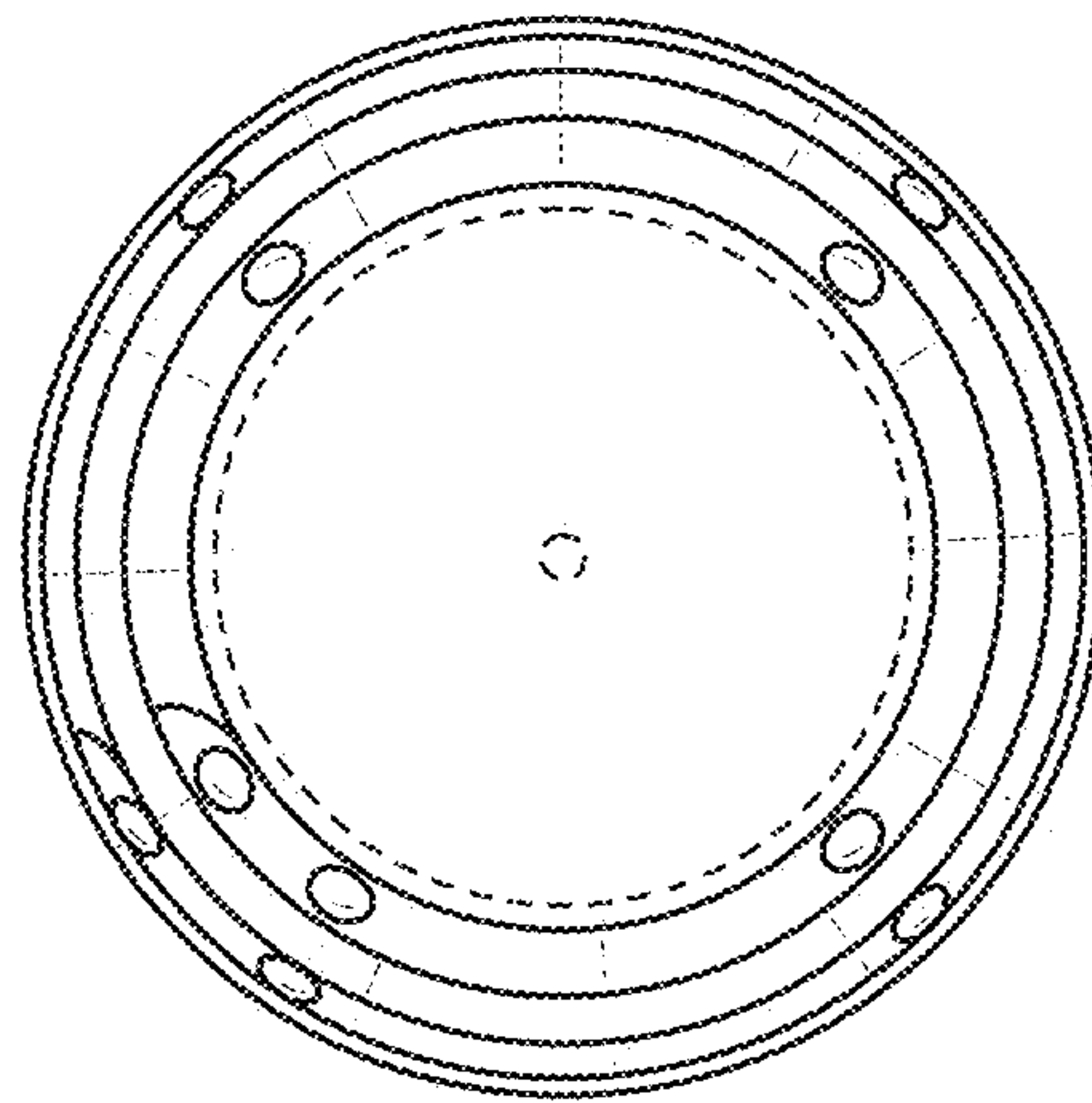


FIG. 5