



US00D896033S

(12) **United States Design Patent**
Monk et al.

(10) **Patent No.:** **US D896,033 S**
(45) **Date of Patent:** **** Sep. 15, 2020**

- (54) **CUTTER FOR FOOD PRODUCTS**
- (71) Applicant: **Lamb Weston, Inc.**, Eagle, ID (US)
- (72) Inventors: **Samuel Monk**, Richland, WA (US);
Mark Fow, Kennewick, WA (US)
- (73) Assignee: **Lamb Weston, Inc.**, Eagle, ID (US)
- (**) Term: **15 Years**
- (21) Appl. No.: **29/694,765**
- (22) Filed: **Jun. 13, 2019**
- (51) **LOC (12) Cl.** **31-00**
- (52) **U.S. Cl.**
USPC **D7/412; D7/376; D7/383; D7/384;**
D7/385
- (58) **Field of Classification Search**
USPC **D1/120, 125; D7/372, 376-387,**
D7/412-413, 602, 629, 665-666, 669,
D7/679, 693-694
CPC ... **A21C 1/02; A21C 1/04; A23L 19/14; A23L**
19/18; A23N 1/00; A23N 1/02; A23P
30/10; A47J 43/04; A47J 43/25; A47J
43/27; A47J 43/042; A47J 43/044; A47J
43/046; A47J 43/075; A47J 43/0722;
A47J 43/0727; B01F 3/00; B01F 3/0807;
B01F 3/0853; B01F 13/0059; B01F
13/0064; B02C 1/08; B02C 2/04; B02C
4/42; B02C 4/142; B02C 4/143; B02C
4/423; B02C 13/1835; B28C 5/10; B28C
5/12; B28C 5/14; B28C 5/16; B26D 1/03;
B26D 1/0006; B26D 3/22; B26D 7/0658;
B26D 7/2614
- See application file for complete search history.

- (56) **References Cited**
- U.S. PATENT DOCUMENTS
- | | | | |
|---------------|---------|-----------------|------------------|
| 1,159,869 A | 2/1875 | Vullier | |
| 2,720,901 A | 10/1955 | Heller et al. | |
| 2,769,714 A * | 11/1956 | Stahmer | A23L 19/14 |
| | | | 426/144 |
| 3,680,615 A | 8/1972 | Catalina et al. | |
- (Continued)

FOREIGN PATENT DOCUMENTS

AU	1092492 A	9/1992
AU	2623092 A	4/1993

(Continued)

Primary Examiner — Ricky Pham
(74) *Attorney, Agent, or Firm* — Ryan T. Grace; Advent, LLP

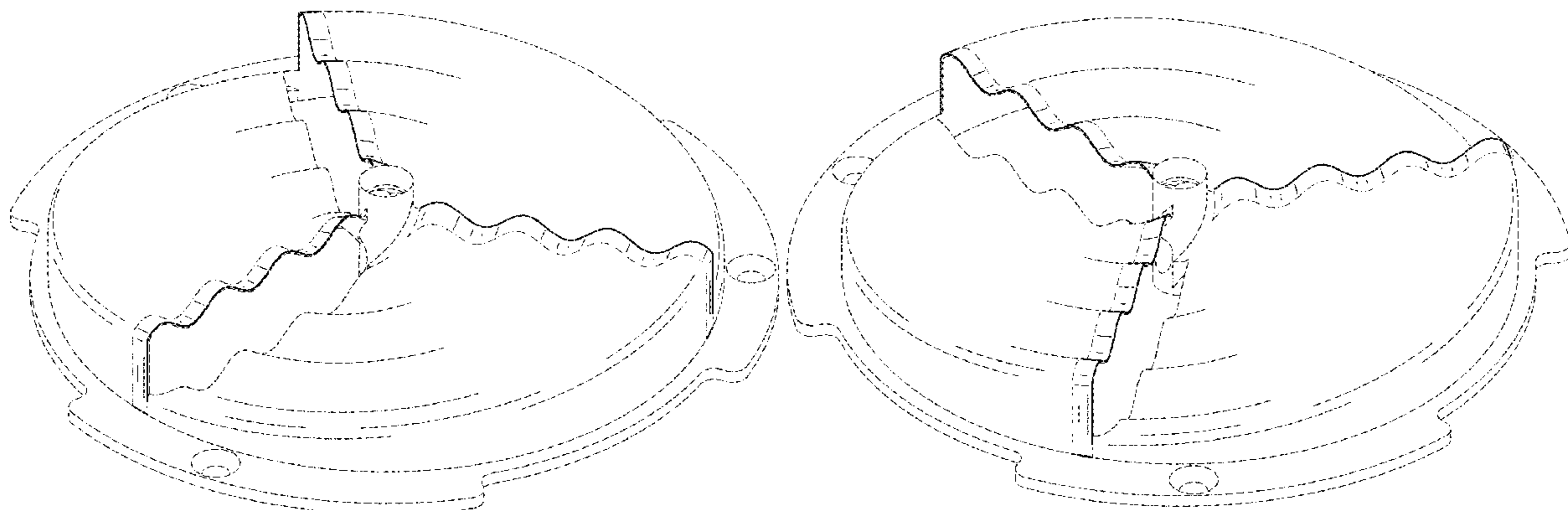
(57) **CLAIM**

The ornamental design for a cutter for food products, as shown and described.

DESCRIPTION

FIG. 1 is an isometric view of a cutter for food products. FIG. 2 is another isometric view of the cutter for food products of FIG. 1. FIG. 3 is a top plan view of the cutter for food products of FIG. 1. FIG. 4 is a bottom view of the cutter for food products of FIG. 1. FIG. 5 is a front elevation view of the cutter for food products of FIG. 1. FIG. 6 is a rear elevation view of the cutter for food products of FIG. 1. FIG. 7 is a left side elevation view of the cutter for food products of FIG. 1. FIG. 8 is a right side elevation view of a cutter for food products; and, FIG. 9 is a cross-sectional front elevation view of the cutter for food products of FIG. 1, taken on the line 9-9 in FIG. 3. Portions of FIGS. 1 through 9 are shown in broken lines and dash-dot-dash boundary lines illustrating portions of the article that form no part of the claimed design.

1 Claim, 9 Drawing Sheets



(56)

References Cited

U.S. PATENT DOCUMENTS

3,687,688 A 8/1972 Stapley et al.
 3,933,085 A 1/1976 Rejsa et al.
 D239,215 S * 3/1976 Miller D1/120
 3,952,621 A 4/1976 Chambos et al.
 4,367,667 A * 1/1983 Shibata B26D 3/22
 4,387,111 A 6/1983 Muellender
 4,511,586 A * 4/1985 Fitzwater B26D 3/22
 426/144
 D285,740 S * 9/1986 Watanabe D1/106
 4,650,684 A * 3/1987 Penrose A23L 19/18
 426/144
 4,855,151 A * 8/1989 Fielding A23L 19/18
 426/144
 4,937,084 A * 6/1990 Julian B26D 1/03
 426/144
 5,009,141 A * 4/1991 Julian B26D 1/0006
 83/402
 5,046,388 A 9/1991 Mendenhall
 5,058,478 A * 10/1991 Mendenhall B26D 1/0006
 83/402
 5,060,563 A 10/1991 Plant et al.
 5,088,372 A 2/1992 Lund et al.
 5,095,875 A * 3/1992 Morris B26D 1/0006
 83/403
 5,097,735 A 3/1992 Mendenhall
 5,123,521 A 6/1992 Mendenhall
 5,138,940 A 8/1992 Geissler et al.
 5,167,177 A 12/1992 Cimperman et al.
 5,181,458 A 1/1993 Plant et al.
 5,211,098 A 5/1993 Mendenhall
 5,211,278 A 5/1993 Mendenhall
 5,224,409 A 7/1993 Cimperman et al.
 5,228,937 A 7/1993 Passeno
 5,275,071 A 1/1994 Plant et al.
 5,293,803 A * 3/1994 Foster B26D 1/0006
 83/356.3
 5,296,252 A 3/1994 Mendenhall
 5,473,967 A 12/1995 Frey et al.
 D374,150 S * 10/1996 Lillelund D7/387
 D380,885 S * 7/1997 Goll D1/125
 5,655,428 A * 8/1997 Cockburn B26D 1/0006
 83/402
 5,896,801 A * 4/1999 Jacko B26D 3/22
 83/356.3
 6,725,765 B1 * 4/2004 Mendenhall B26D 1/0006
 83/402
 D495,852 S * 9/2004 Barber 426/144
 6,854,383 B2 2/2005 Wang
 7,096,771 B2 * 8/2006 Mendenhall B26D 1/0006
 83/402
 7,513,450 B2 * 4/2009 Young B26D 1/0006
 241/282.1
 D679,140 S * 4/2013 Faram D7/376
 D701,087 S * 3/2014 Audette D7/376

8,939,055 B2 * 1/2015 Bomont B26D 7/0658
 83/13
 9,089,987 B2 7/2015 Walker et al.
 9,592,618 B2 * 3/2017 Reis B26D 7/2614
 9,840,015 B2 * 12/2017 King B26D 1/03
 9,943,978 B2 * 4/2018 Walker A23P 30/10
 2006/0196335 A1 9/2006 Jones
 2012/0024125 A1 2/2012 Walker et al.
 2013/0087032 A1 4/2013 Walker et al.
 2015/0246456 A1 9/2015 Walker et al.
 2016/0016326 A1 1/2016 Walker et al.

FOREIGN PATENT DOCUMENTS

AU 645657 B2 1/1994
 AU 652079 B2 8/1994
 AU 2011283050 A1 2/2013
 AU 2012323311 A1 4/2014
 AU 2011283050 B2 9/2015
 CA 1308000 C 9/1992
 CA 2060668 A1 9/1992
 CA 2466381 A1 11/1992
 CA 2080789 A1 4/1993
 CA 2102600 C 2/2004
 CA 2102620 C 3/2004
 CA 2102602 C 12/2004
 CA 2805657 A1 2/2012
 CA 2850796 A1 4/2013
 CN 2408695 Y 12/2000
 CN 103038031 A 4/2013
 CN 104010780 A 8/2014
 CN 104010780 B 7/2016
 DE 9214810 U1 1/1993
 DE 69210817 T2 11/1996
 EP 0400722 A2 12/1990
 EP 0505313 A2 9/1992
 EP 0540909 A1 5/1993
 EP 0586572 A1 3/1994
 EP 0693348 A1 1/1996
 EP 0540909 B1 5/1996
 EP 0583412 B1 5/1996
 EP 0583365 B1 10/1996
 EP 0400722 B1 1/1998
 EP 0693348 B1 5/2000
 EP 2598295 A1 6/2013
 EP 2766154 A1 8/2014
 GB 2258393 A 2/1993
 GB 2258393 B 11/1994
 JP H0387169 A 4/1991
 MX 2014004329 A 2/2015
 WO 8809711 A1 12/1988
 WO 9201392 A1 2/1992
 WO 9219426 A1 11/1992
 WO 9219427 A1 11/1992
 WO 9219500 A1 11/1992
 WO 2012015661 A1 2/2012
 WO 2013055740 A1 4/2013
 WO 2017023938 A1 2/2017

* cited by examiner

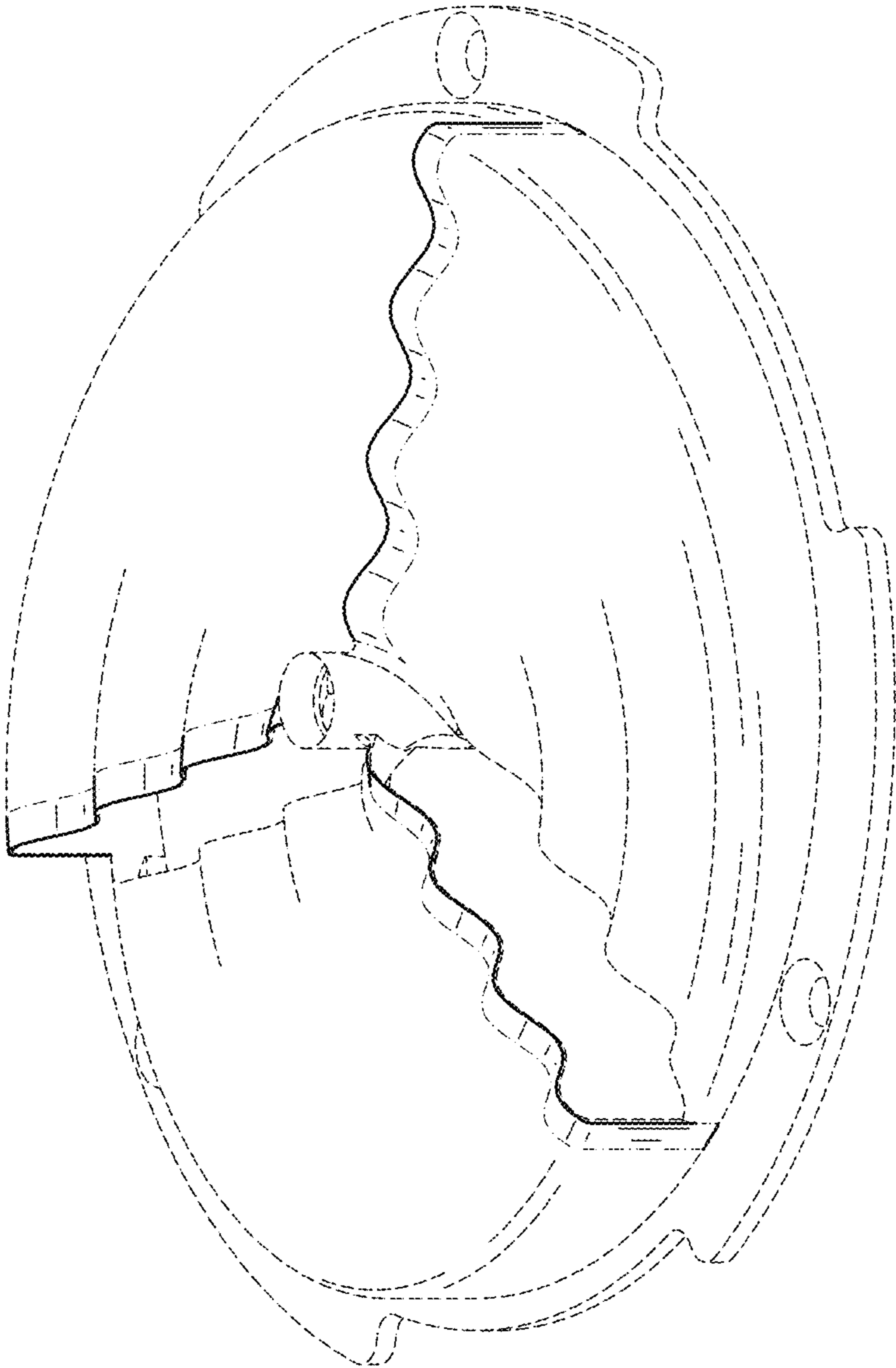


FIG. 1

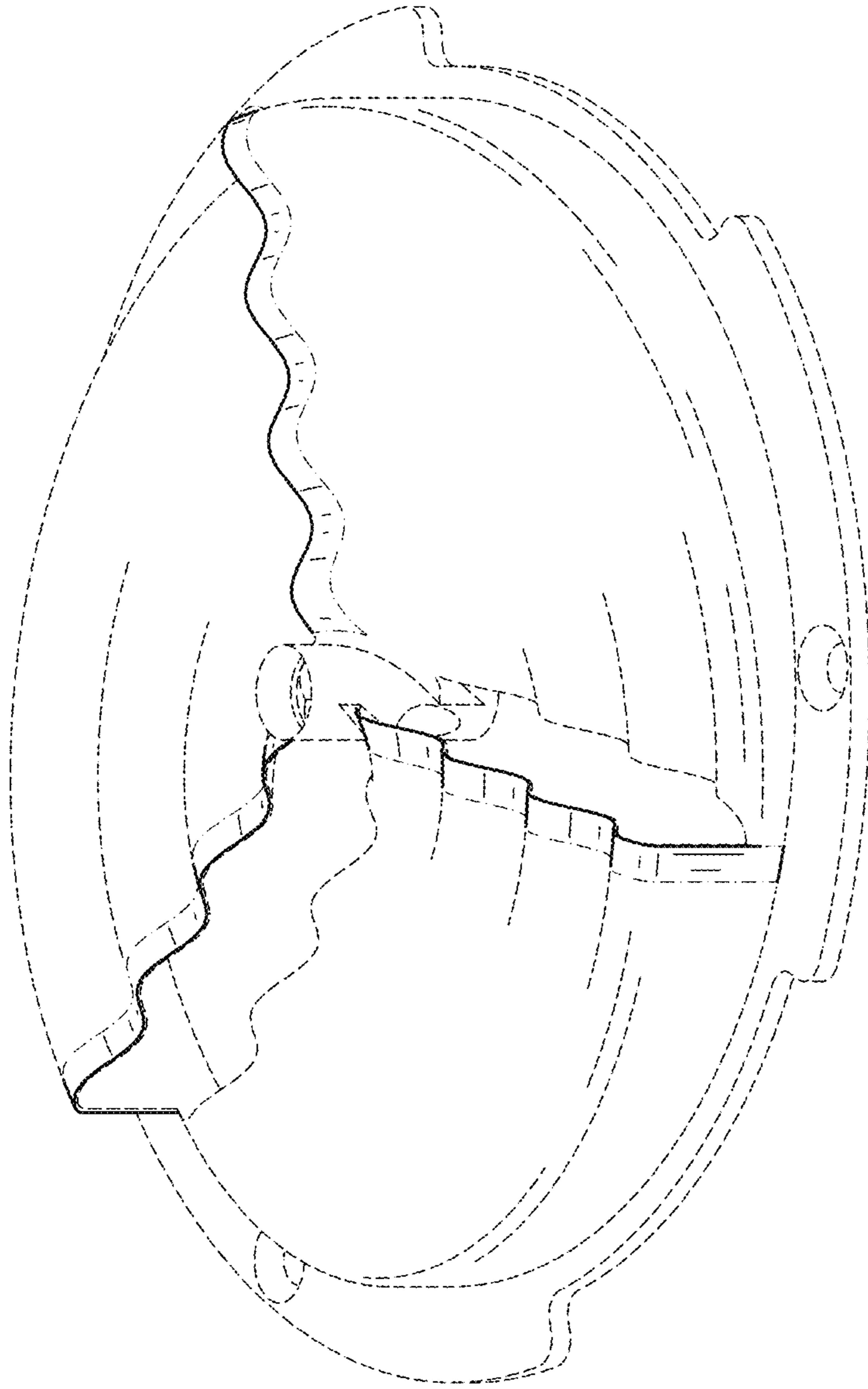


FIG. 2

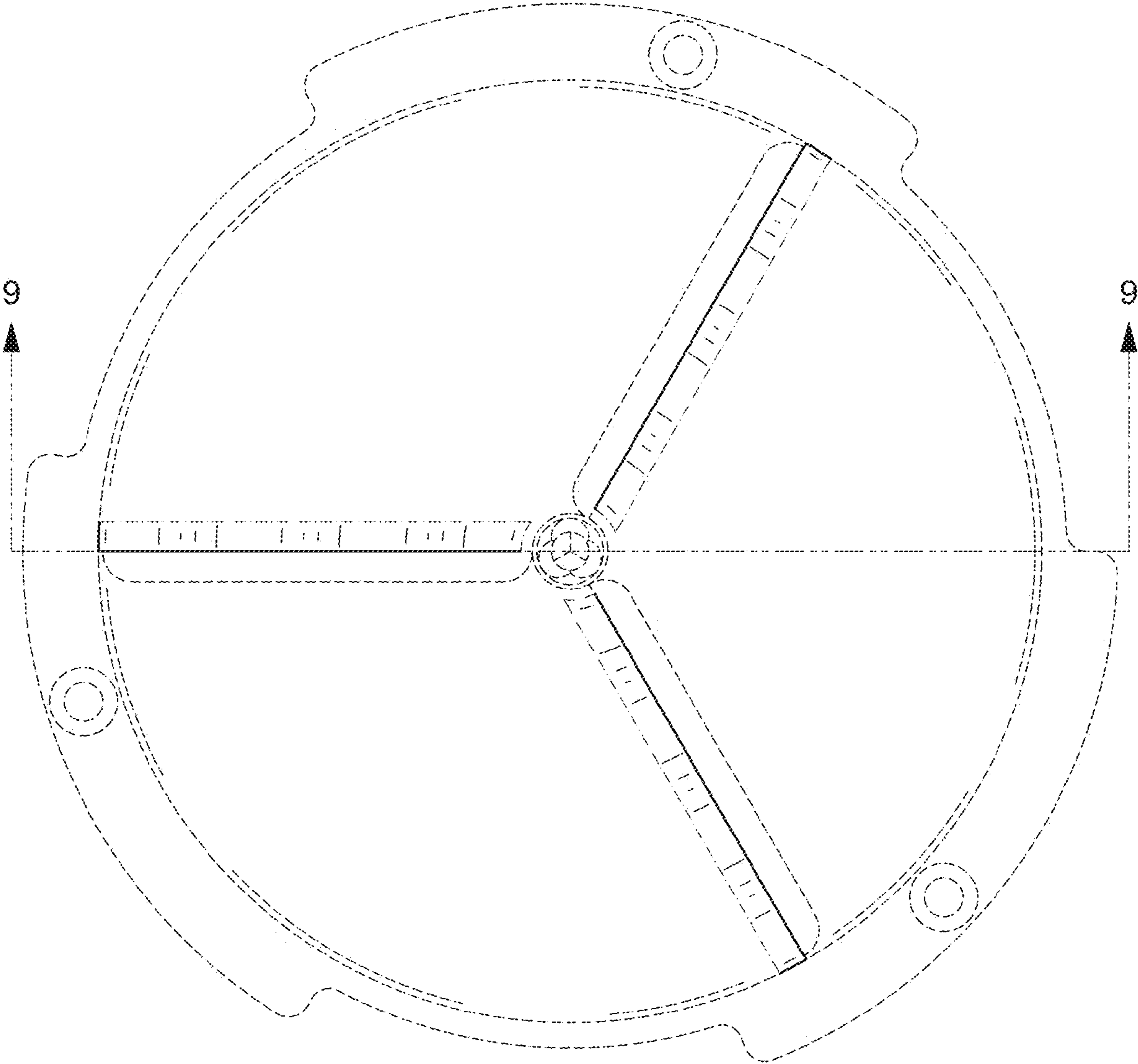


FIG. 3

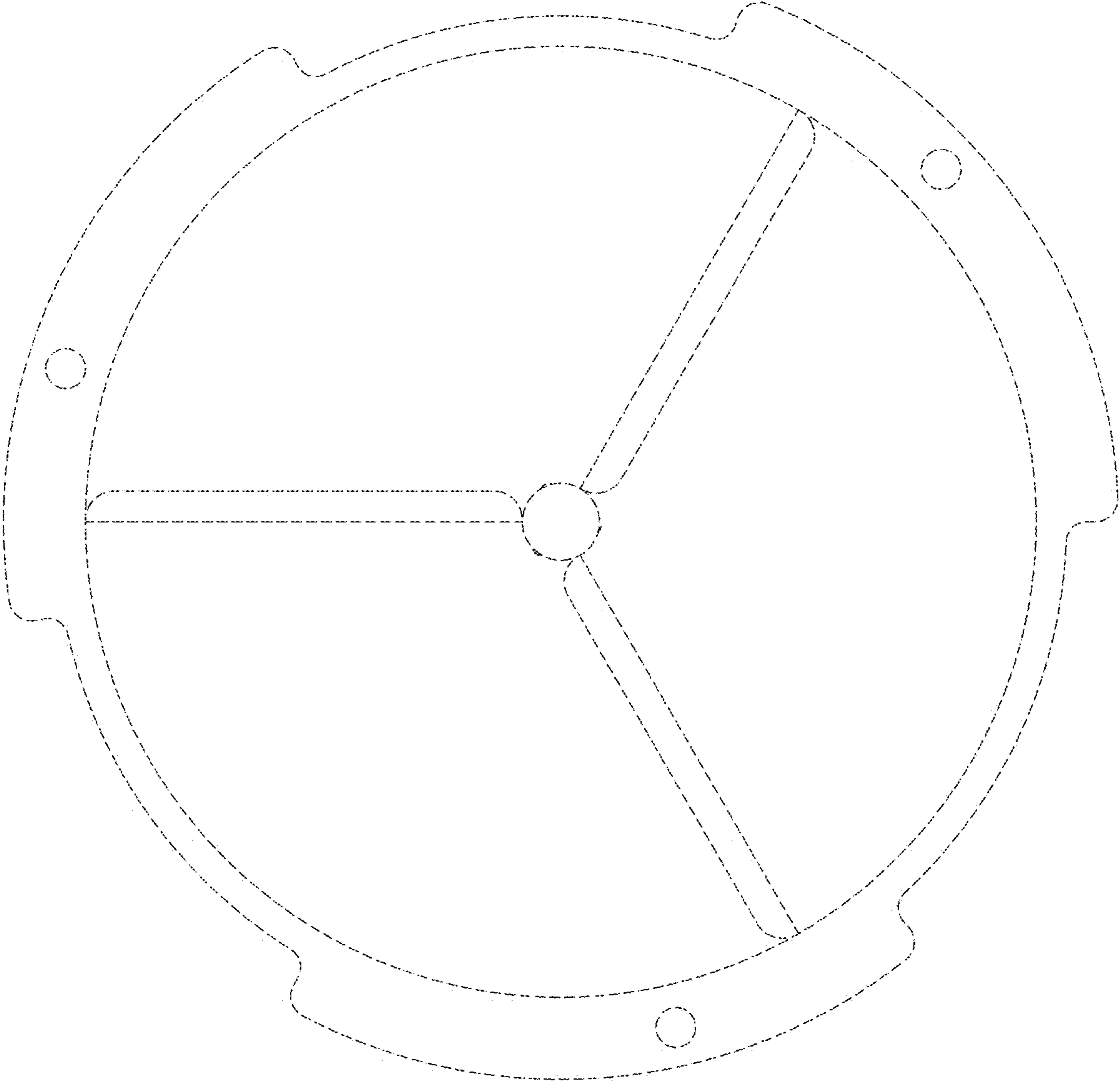


FIG. 4

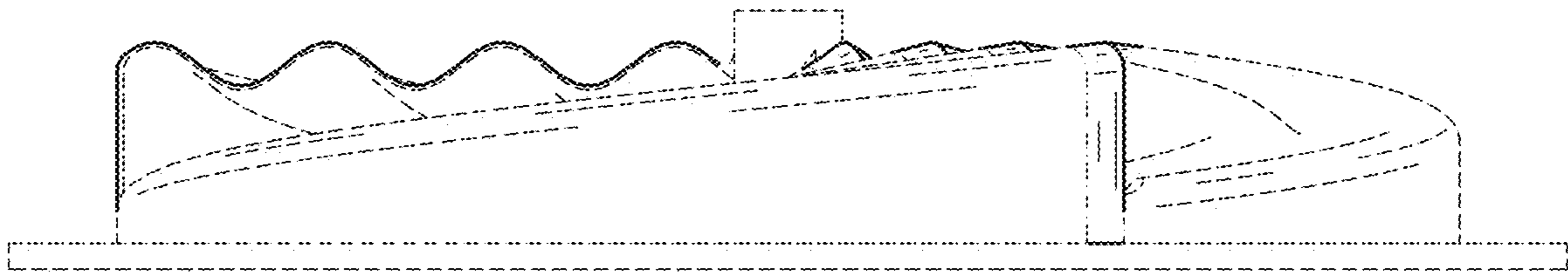


FIG. 5

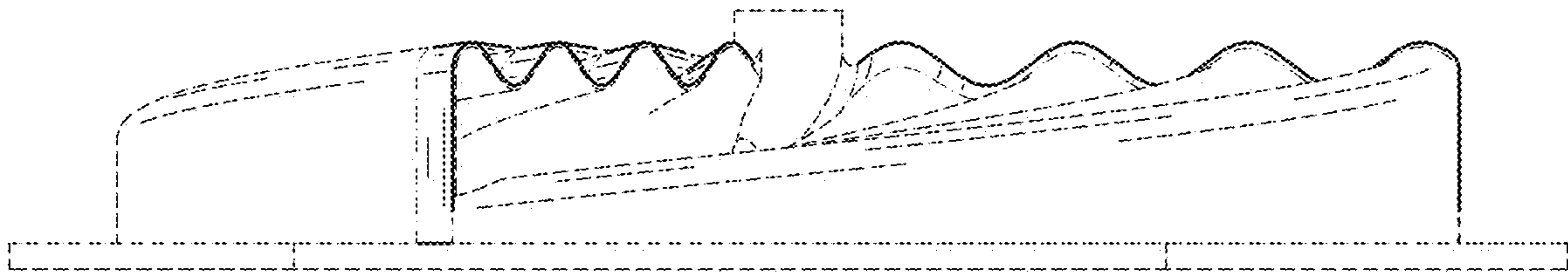


FIG. 6

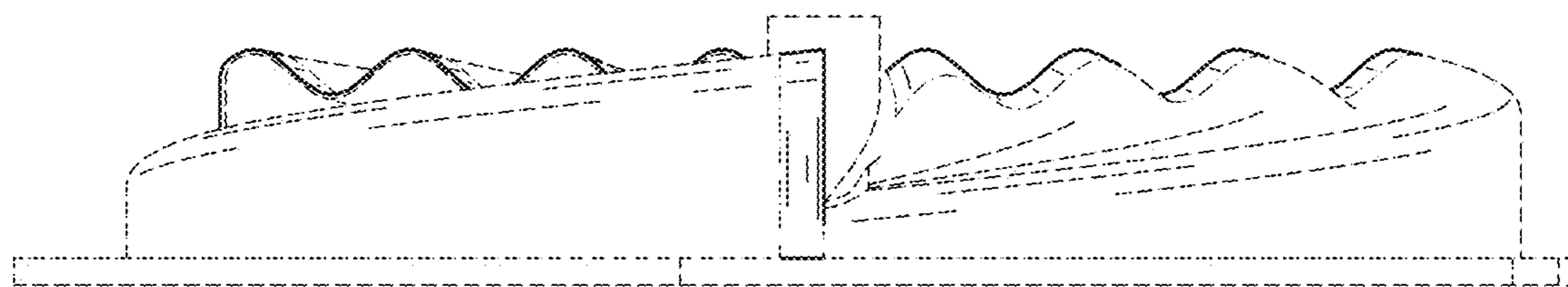


FIG. 7

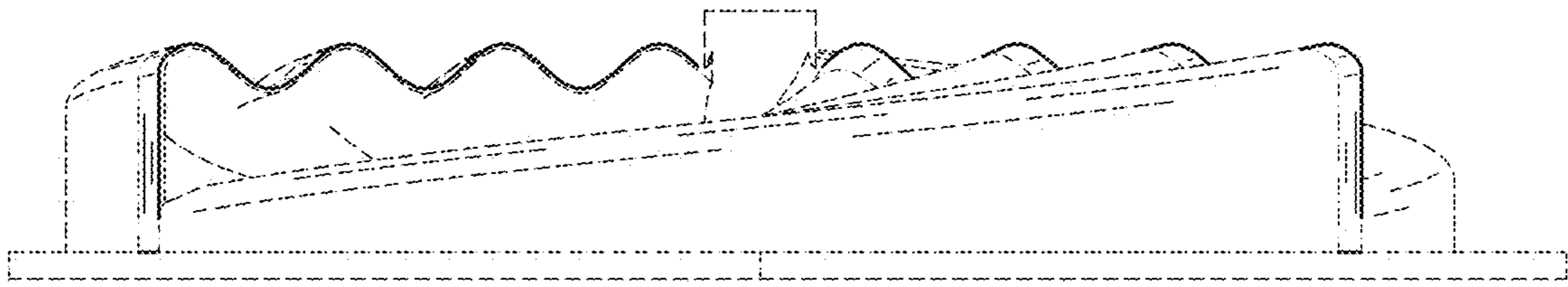


FIG. 8

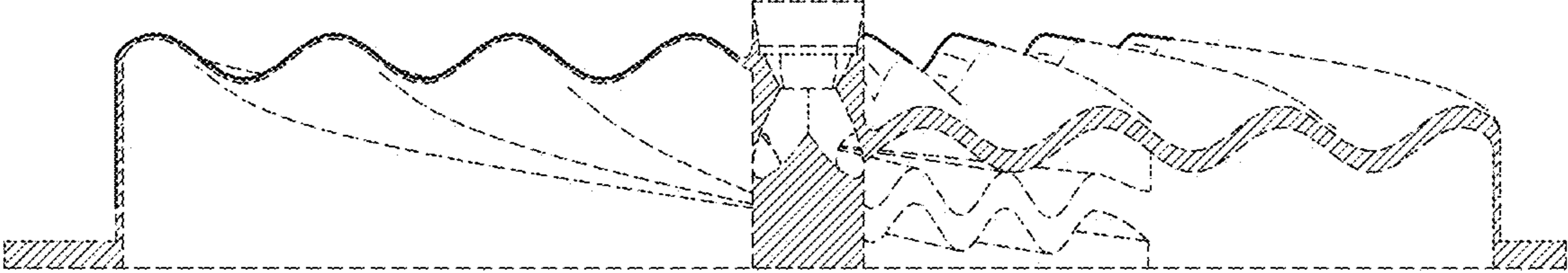


FIG. 9