



US00D896032S

(12) **United States Design Patent**
Monk et al.

(10) **Patent No.:** **US D896,032 S**

(45) **Date of Patent:** **** Sep. 15, 2020**

(54) **CUTTER FOR FOOD PRODUCTS**

FOREIGN PATENT DOCUMENTS

(71) Applicant: **Lamb Weston, Inc.**, Eagle, ID (US)

AU 1092492 A 9/1992
AU 2623092 A 4/1993

(72) Inventors: **Samuel Monk**, Richland, WA (US);
Grayden Howard, Richland, WA (US);
Mark Fow, Kennewick, WA (US)

(Continued)

(73) Assignee: **Lamb Weston, Inc.**, Eagle, ID (US)

Primary Examiner — Ricky Pham

(**) Term: **15 Years**

(74) *Attorney, Agent, or Firm* — Ryan T. Grace; Advent, LLP

(21) Appl. No.: **29/694,754**

(57) **CLAIM**

(22) Filed: **Jun. 13, 2019**

The ornamental design for a cutter for food products, as shown and described.

(51) **LOC (12) Cl.** **31-00**

(52) **U.S. Cl.**
USPC **D7/412; D7/376; D7/383; D7/384;**
D7/385

DESCRIPTION

(58) **Field of Classification Search**

USPC D7/372, 376–387, 412–413, 602, 629,
D7/665–666, 669, 679, 693–694
CPC .. A01G 3/002; A21C 1/02; A21C 1/04; A21C
15/04; A23G 1/202; A23N 1/00; A23N
1/02; A23N 4/14; A23N 4/18; A23P
30/10; A47J 43/04; A47J 43/25; A47J
43/27; A47J 43/042; A47J 43/044; A47J
43/046; A47J 43/075; A47J 43/0705;
A47J 43/0722; A47J 43/0727; B01F 3/00;
B01F 3/0807; B01F 3/0853; B01F
13/0059; B01F 13/0064; B02C 1/08;
B02C 2/04; B02C 4/42; B02C 4/142;
B02C 4/143; B02C 4/423; B02C 13/1835;
B24B 3/46; B26D 1/02; B26D 1/03;
B26D 1/0006; B26D

FIG. 1 is an isometric view of a cutter for food products.
FIG. 2 is another isometric view of the cutter for food products of FIG. 1.
FIG. 3 is a top plan view of the cutter for food products of FIG. 1.
FIG. 4 is a bottom view of the cutter for food products of FIG. 1.
FIG. 5 is a front elevation view of the cutter for food products of FIG. 1.
FIG. 6 is a rear elevation view of the cutter for food products of FIG. 1.
FIG. 7 is a left side elevation view of the cutter for food products of FIG. 1.
FIG. 8 is a right side elevation view of a cutter for food products.
FIG. 9 is an environmental isometric view of the cutter for food products of FIG. 1; and,
FIG. 10 is another environmental isometric view of the cutter for food products of FIG. 1.
Portions of FIGS. 1 through 10 are shown in broken lines illustrating portions of the article that form no part of the claimed design. The dash-dot-dot-dash lines in FIGS. 9 and 10 are directed to environment and form no part of the claimed design.

(Continued)

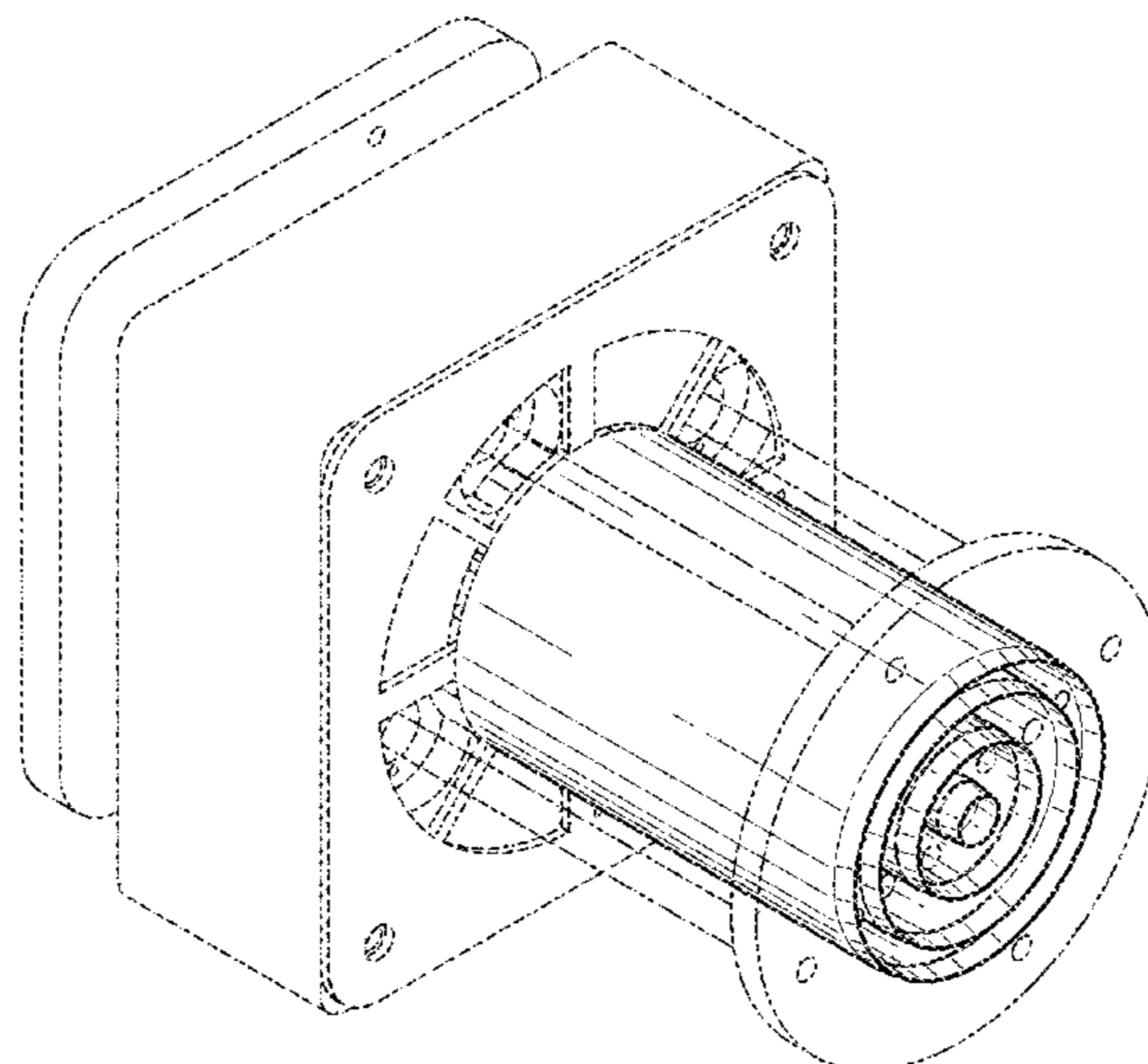
(56) **References Cited**

U.S. PATENT DOCUMENTS

1,159,869 A 2/1875 Vuillier
2,538,430 A * 1/1951 Shaddock B26D 3/26
83/622

(Continued)

1 Claim, 10 Drawing Sheets



(58) **Field of Classification Search**
 CPC 3/11; B26D 3/22; B26D 3/24; B26D 3/26;
 B26D 7/06; B28C 5/10; B28C 5/12;
 B28C 5/14; B28C 5/16; F25C 5/12
 See application file for complete search history.

(56) **References Cited**

U.S. PATENT DOCUMENTS

2,720,901 A 10/1955 Heller et al.
 3,109,470 A * 11/1963 Urschel B26D 3/24
 83/699.51
 3,680,615 A 8/1972 Catalina et al.
 3,687,688 A 8/1972 Stapley et al.
 3,933,085 A 1/1976 Rejsa et al.
 3,952,621 A 4/1976 Chambos et al.
 4,387,111 A 6/1983 Mullender
 4,511,586 A * 4/1985 Fitzwater B26D 3/22
 426/144
 4,523,503 A * 6/1985 Julian B26D 1/03
 83/403
 4,644,838 A * 2/1987 Samson B26D 7/06
 83/162
 4,926,726 A * 5/1990 Julian B26D 3/11
 408/111
 4,979,418 A * 12/1990 Covert B26D 3/11
 408/111
 5,046,388 A 9/1991 Mendenhall
 5,050,809 A * 9/1991 Rupp F25C 5/12
 222/129.1
 5,060,563 A 10/1991 Plant et al.
 5,088,372 A 2/1992 Lund et al.
 5,095,875 A * 3/1992 Morris B26D 1/0006
 83/403
 5,097,735 A 3/1992 Mendenhall
 5,101,718 A * 4/1992 Lin A23N 4/18
 30/302
 5,123,521 A 6/1992 Mendenhall
 5,138,940 A 8/1992 Geissler et al.
 5,167,177 A 12/1992 Cimperman et al.
 5,181,458 A 1/1993 Plant et al.
 5,211,098 A 5/1993 Mendenhall
 5,211,278 A 5/1993 Mendenhall
 5,224,409 A 7/1993 Cimperman et al.
 5,228,937 A 7/1993 Passeno
 5,275,071 A 1/1994 Plant et al.
 5,296,252 A 3/1994 Mendenhall
 5,473,967 A 12/1995 Frey et al.
 5,655,428 A * 8/1997 Cockburn B26D 1/0006
 83/402
 5,662,033 A * 9/1997 Yawman B26D 3/26
 83/356.1
 5,896,801 A * 4/1999 Jacko B26D 3/22
 83/356.3
 5,960,709 A * 10/1999 Yip A47J 43/0705
 241/199.12
 6,113,016 A * 9/2000 Vedefors B26D 1/0006
 241/169.1
 6,494,392 B1 * 12/2002 Vedefors A01G 3/002
 241/101.78
 6,557,260 B1 * 5/2003 Morris A21C 15/04
 30/114
 6,725,765 B1 * 4/2004 Mendenhall B26D 1/0006
 83/402
 6,854,383 B2 2/2005 Wang

7,513,450 B2 * 4/2009 Young B26D 1/0006
 241/282.1
 8,337,281 B2 * 12/2012 Levsen B24B 3/46
 451/285
 8,347,511 B2 * 1/2013 Young B26D 3/26
 30/303
 9,089,987 B2 7/2015 Walker et al.
 D770,227 S * 11/2016 Crawford D7/412
 9,943,978 B2 * 4/2018 Walker A23P 30/10
 10,160,132 B2 * 12/2018 Walker B26D 1/02
 2003/0072835 A1 * 4/2003 Weinstein A23G 1/202
 425/313
 2006/0196335 A1 9/2006 Jones
 2006/0283339 A1 * 12/2006 Jensen A23N 4/14
 99/537
 2012/0024125 A1 2/2012 Walker et al.
 2013/0087032 A1 4/2013 Walker et al.
 2015/0246456 A1 9/2015 Walker et al.
 2016/0016326 A1 1/2016 Walker et al.

FOREIGN PATENT DOCUMENTS

AU 645657 B2 1/1994
 AU 652079 B2 8/1994
 AU 2011283050 A1 2/2013
 AU 2012323311 A1 4/2014
 AU 2011283050 B2 9/2015
 CA 1308000 C 9/1992
 CA 2060668 A1 9/1992
 CA 2466381 A1 11/1992
 CA 2080789 A1 4/1993
 CA 2102600 C 2/2004
 CA 2102620 C 3/2004
 CA 2102602 C 12/2004
 CA 2805657 A1 2/2012
 CA 2850796 A1 4/2013
 CN 2408695 Y 12/2000
 CN 103038031 A 4/2013
 CN 104010780 A 8/2014
 CN 104010780 B 7/2016
 DE 9214810 U1 1/1993
 DE 69210817 T2 11/1996
 EP 0400722 A2 12/1990
 EP 0505313 A2 9/1992
 EP 0540909 A1 5/1993
 EP 0586572 A1 3/1994
 EP 0693348 A1 1/1996
 EP 0540909 B1 5/1996
 EP 0583412 B1 5/1996
 EP 0583365 B1 10/1996
 EP 0400722 B1 1/1998
 EP 0693348 B1 5/2000
 EP 2598295 A1 6/2013
 EP 2766154 A1 8/2014
 GB 2258393 A 2/1993
 GB 2258393 B 11/1994
 JP H0387169 A 4/1991
 MX 2014004329 A 2/2015
 WO 8809711 A1 12/1988
 WO 9201392 A1 2/1992
 WO 9219426 A1 11/1992
 WO 9219427 A1 11/1992
 WO 9219500 A1 11/1992
 WO 2012015661 A1 2/2012
 WO 2013055740 A1 4/2013
 WO 2017023938 A1 2/2017

* cited by examiner

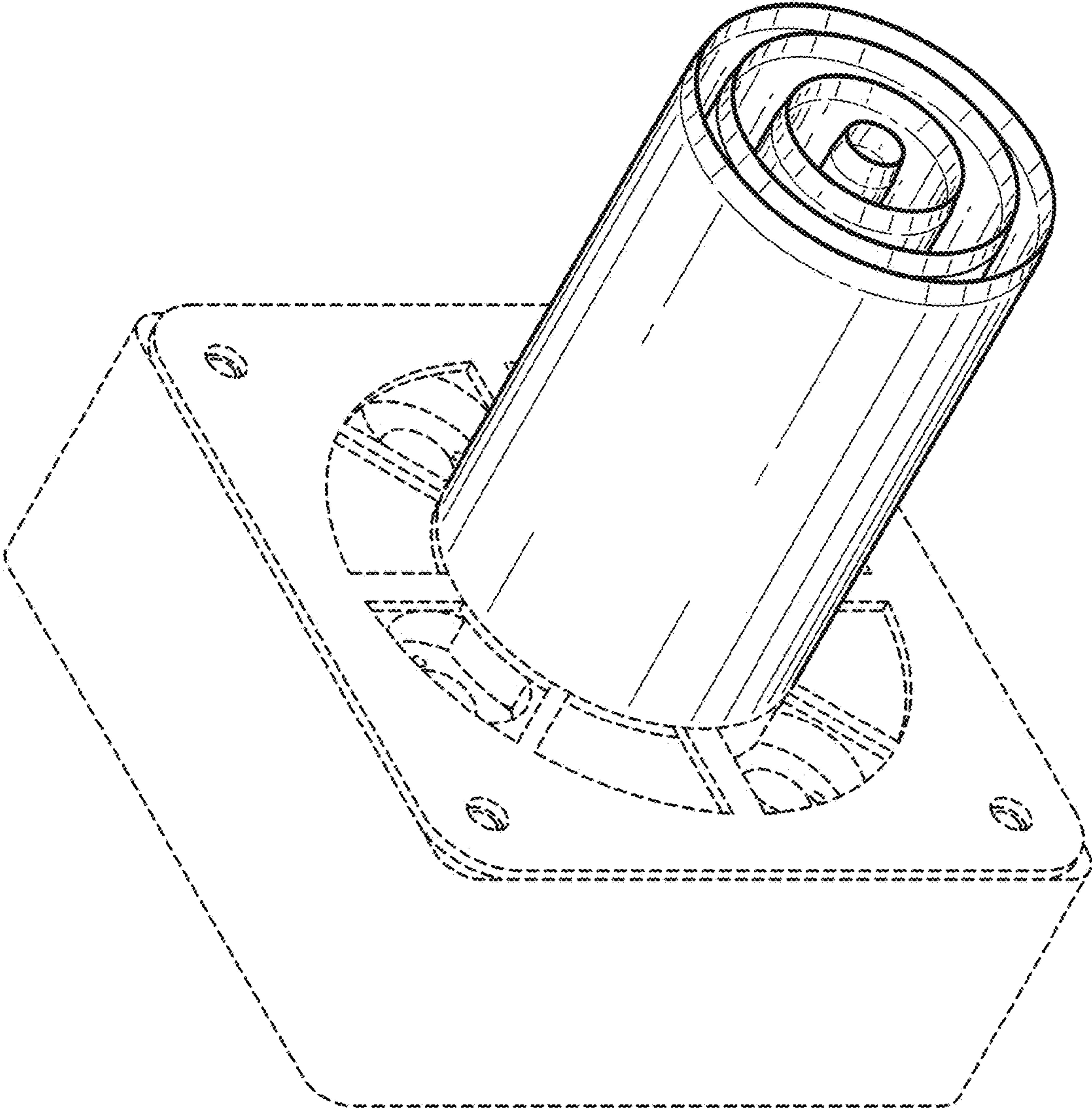


FIG. 1

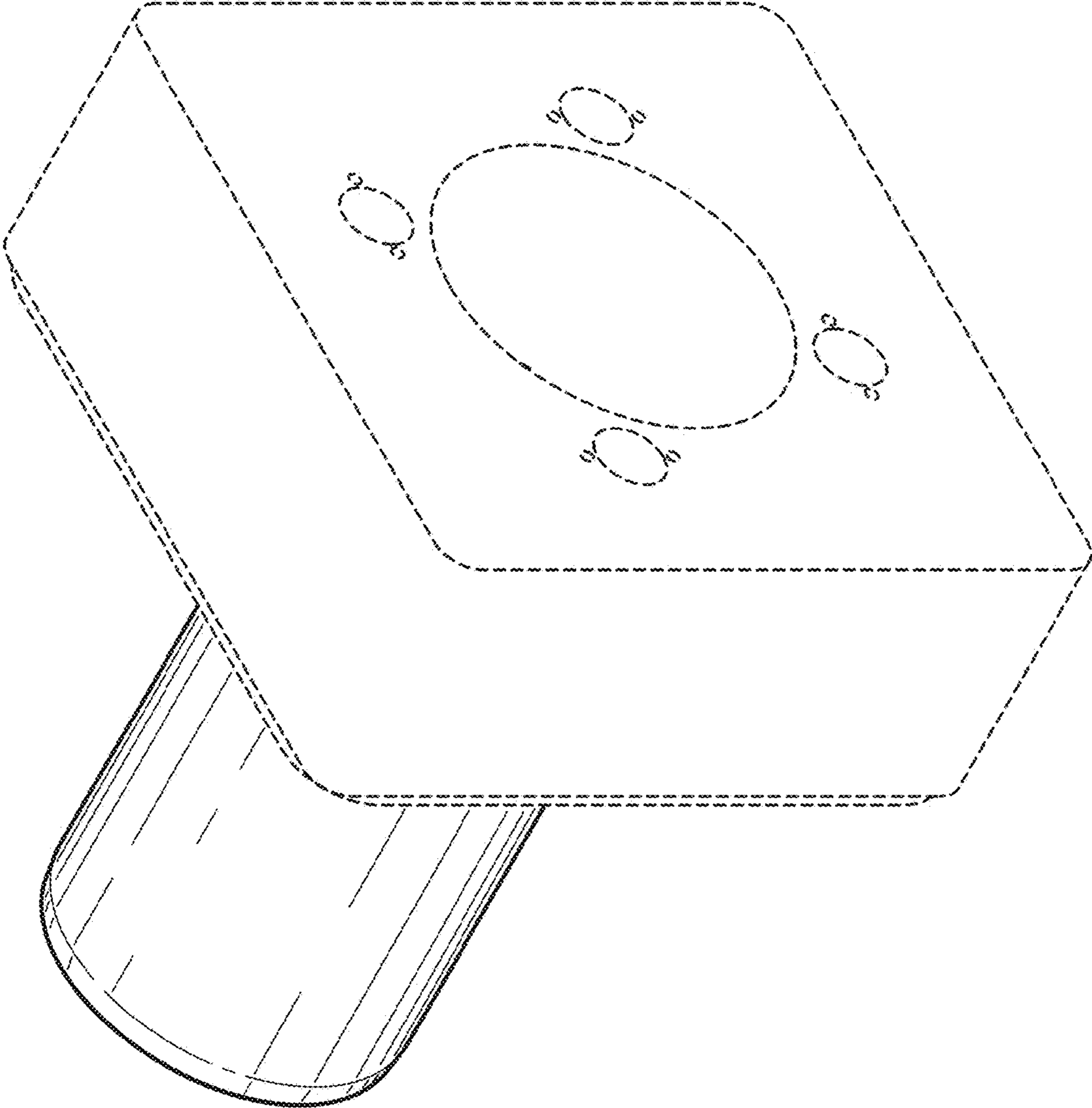


FIG. 2

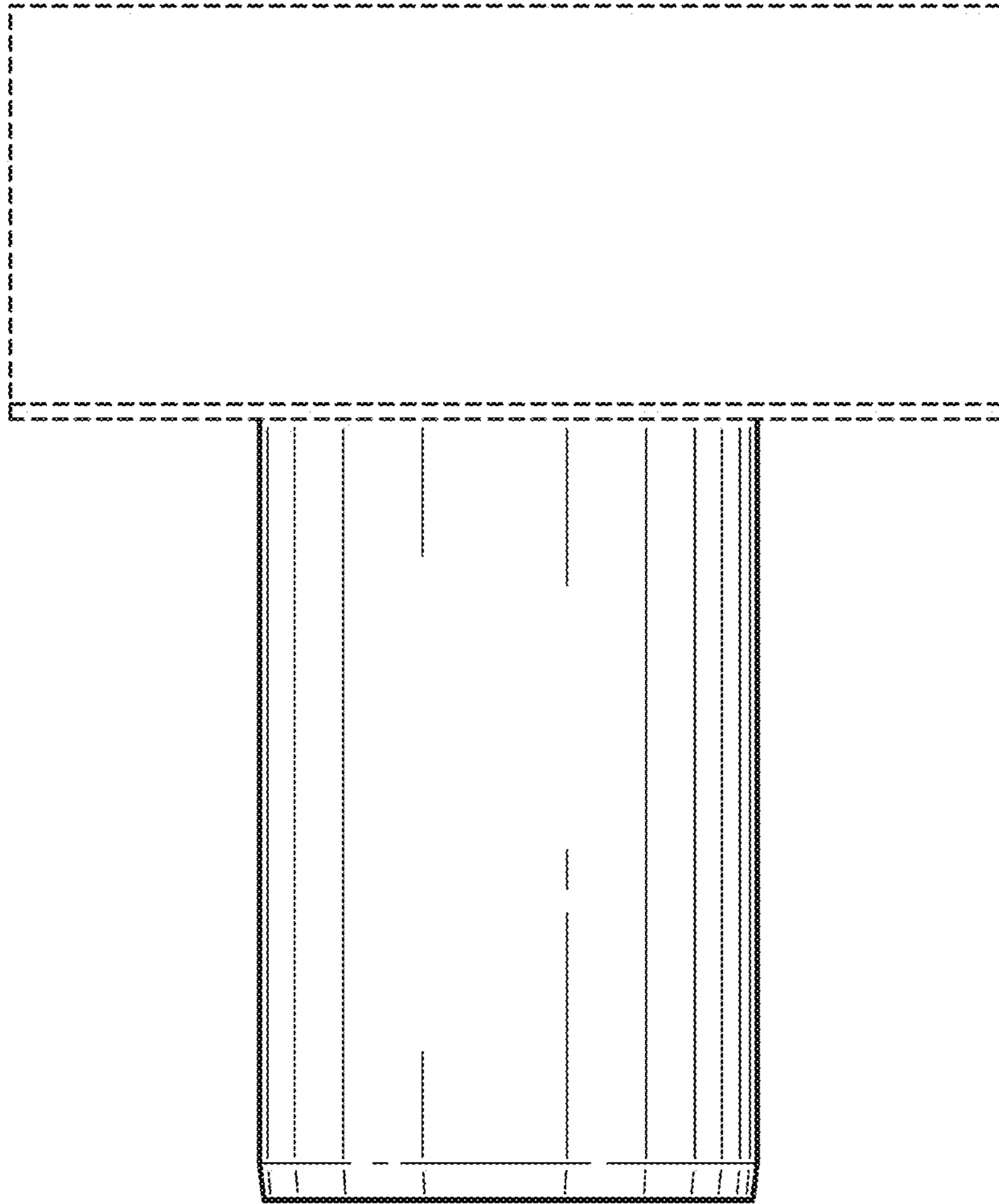


FIG. 3

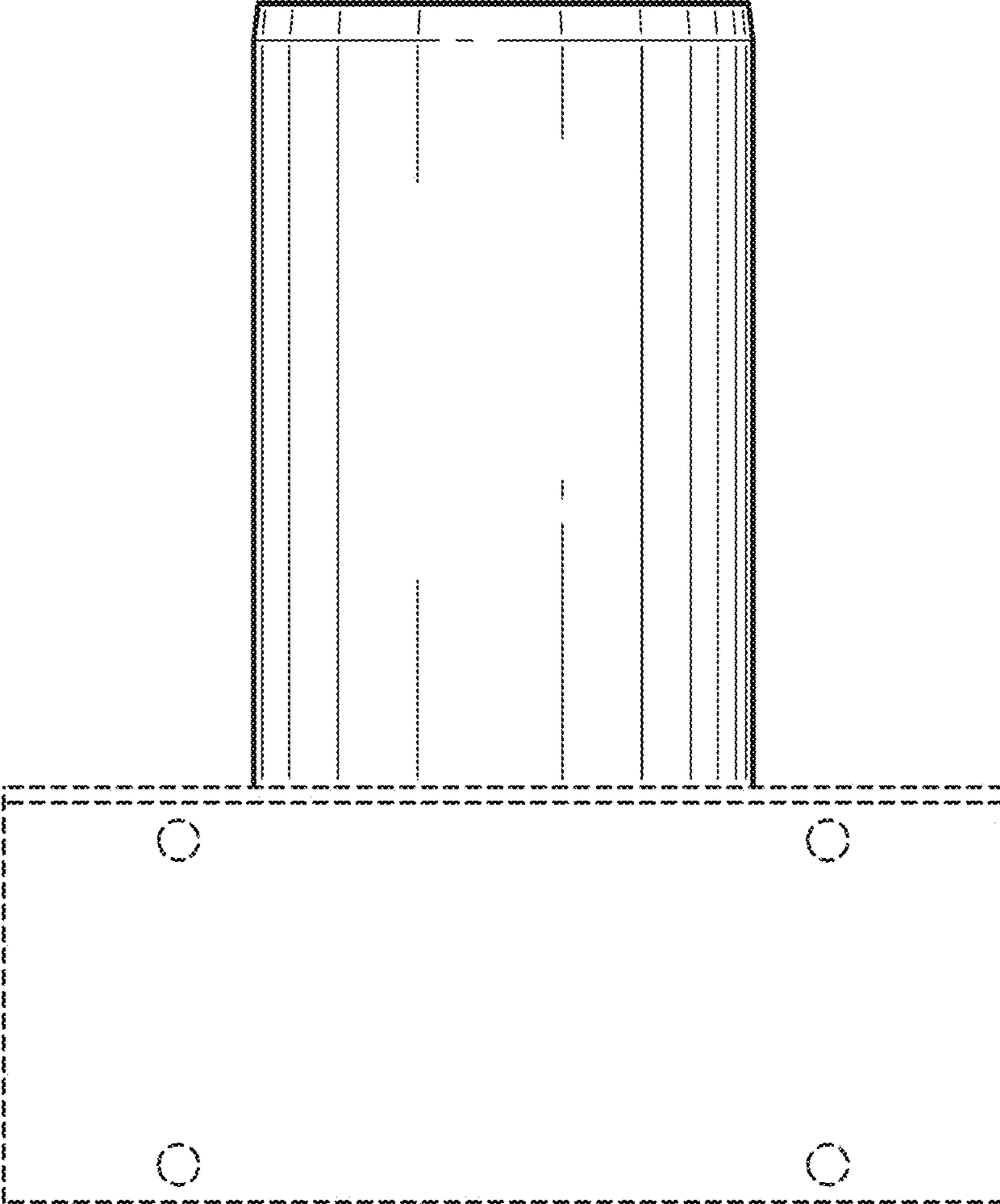


FIG. 4

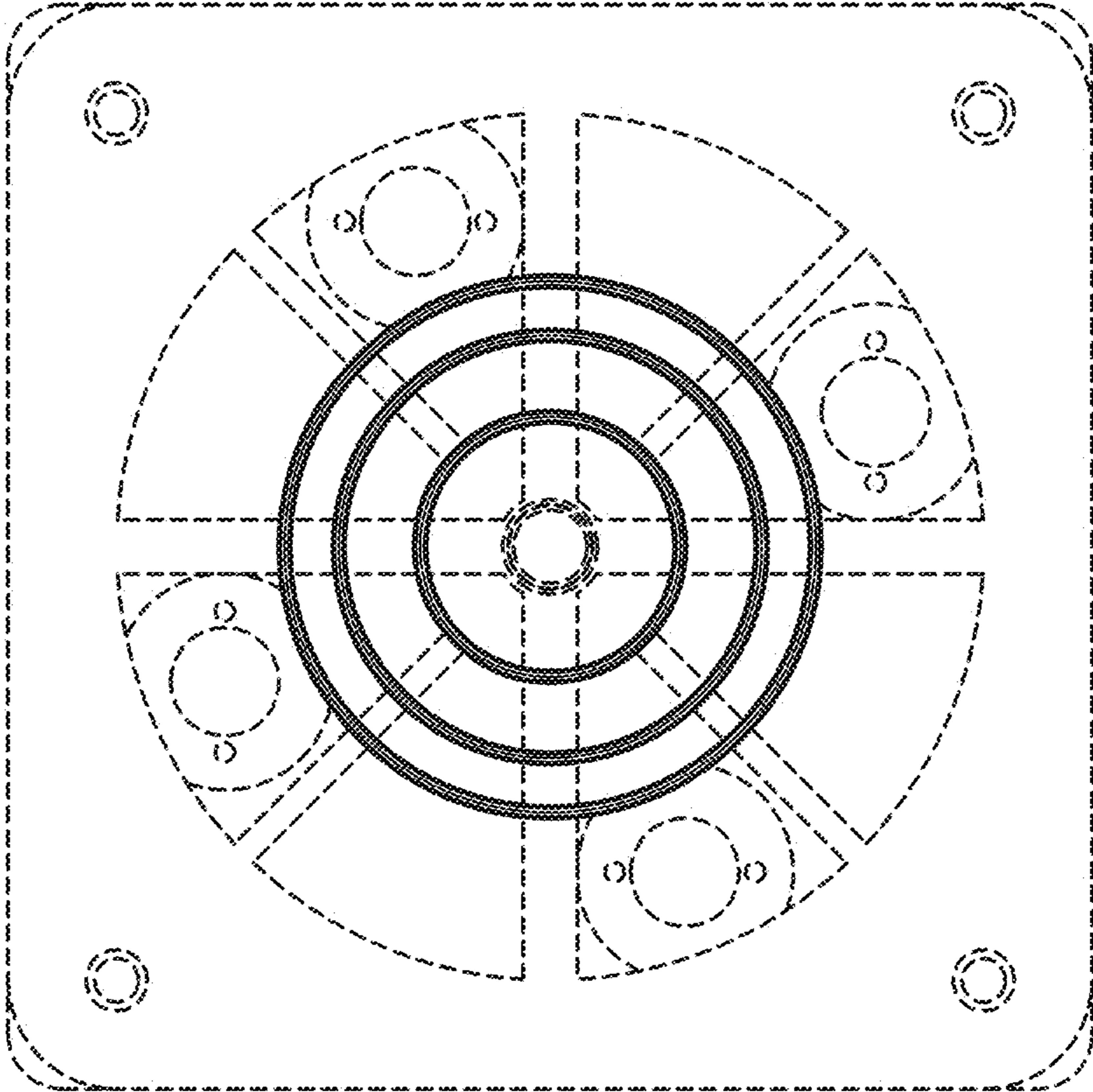


FIG. 5

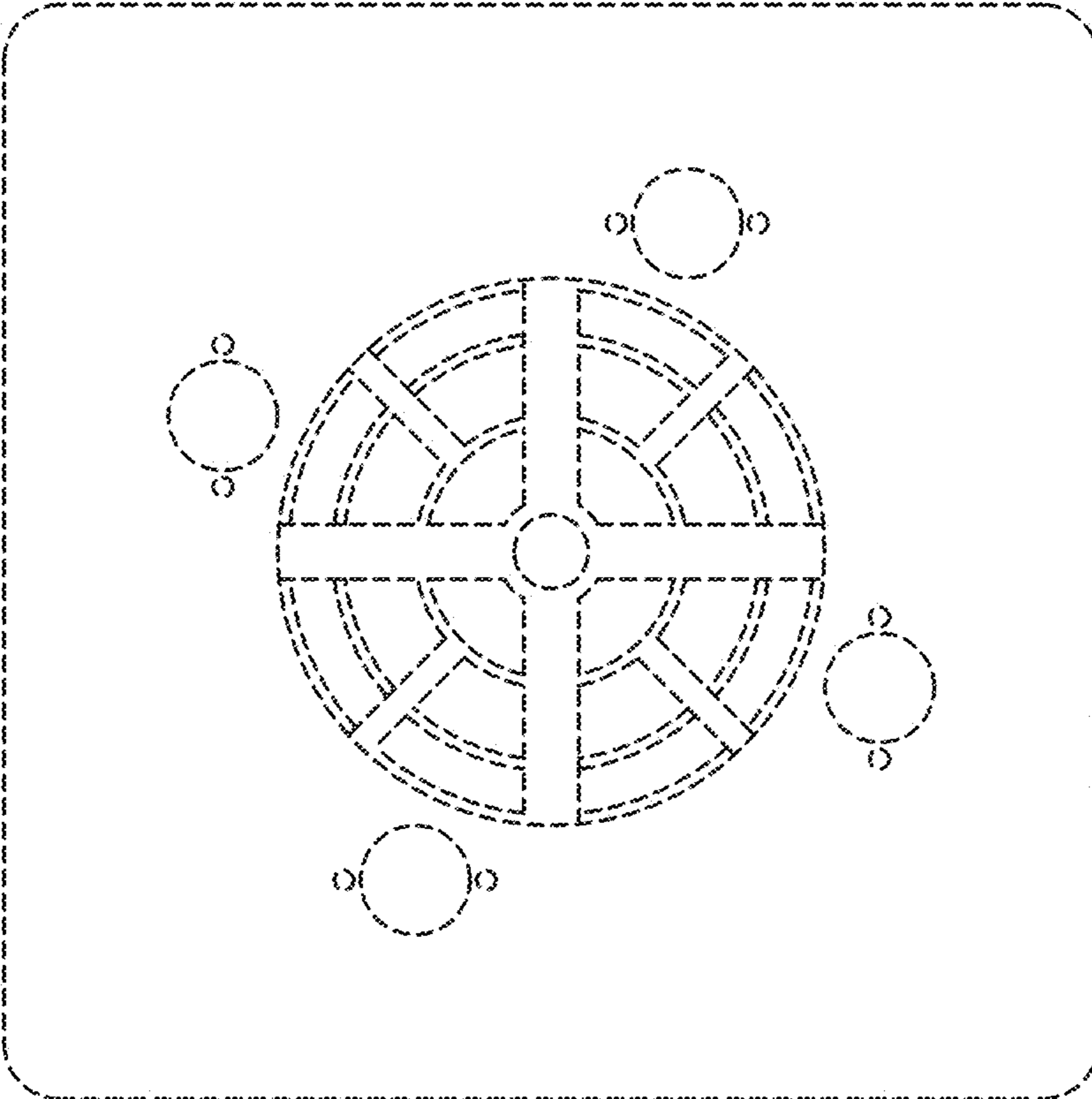


FIG. 6

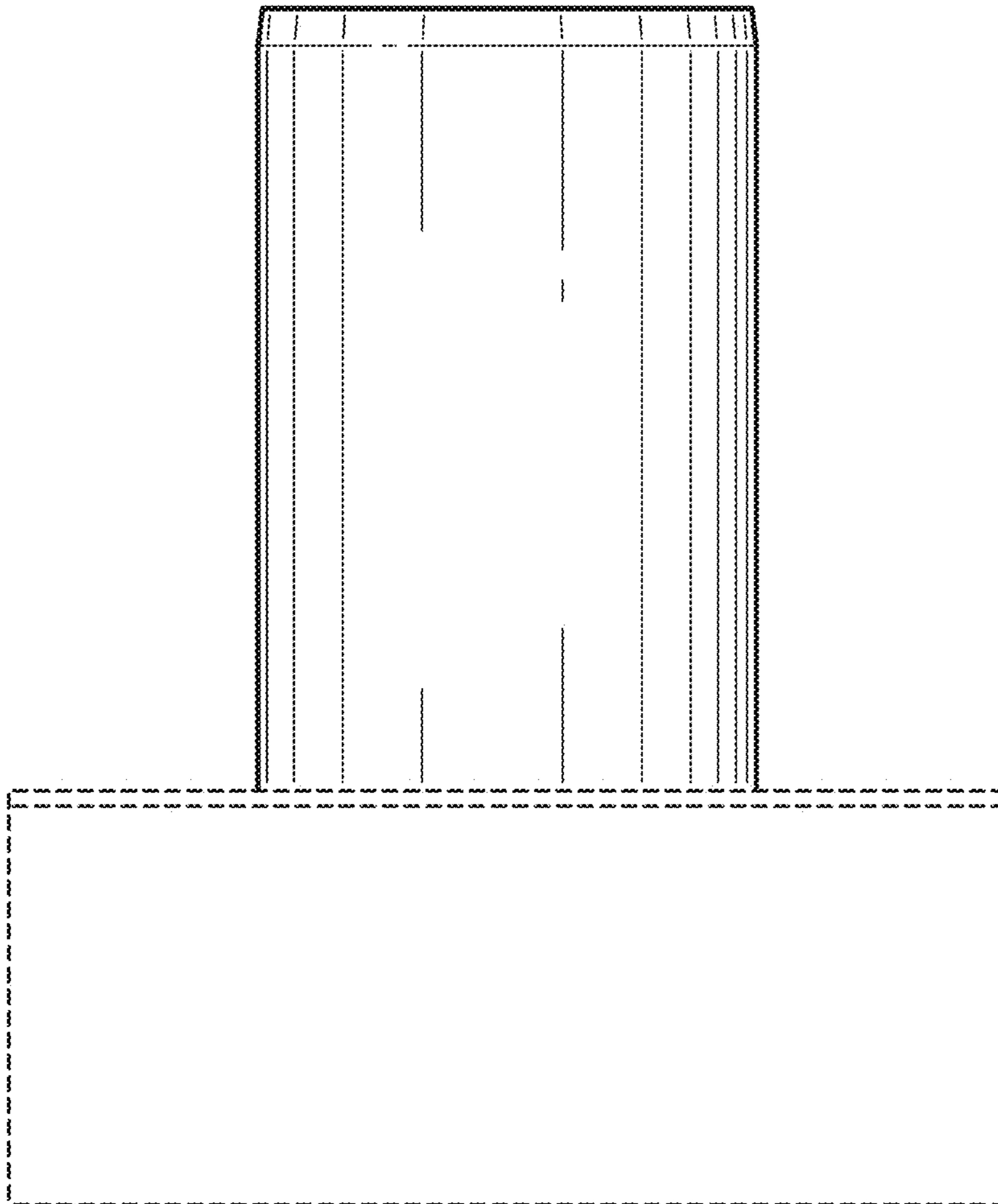


FIG. 7

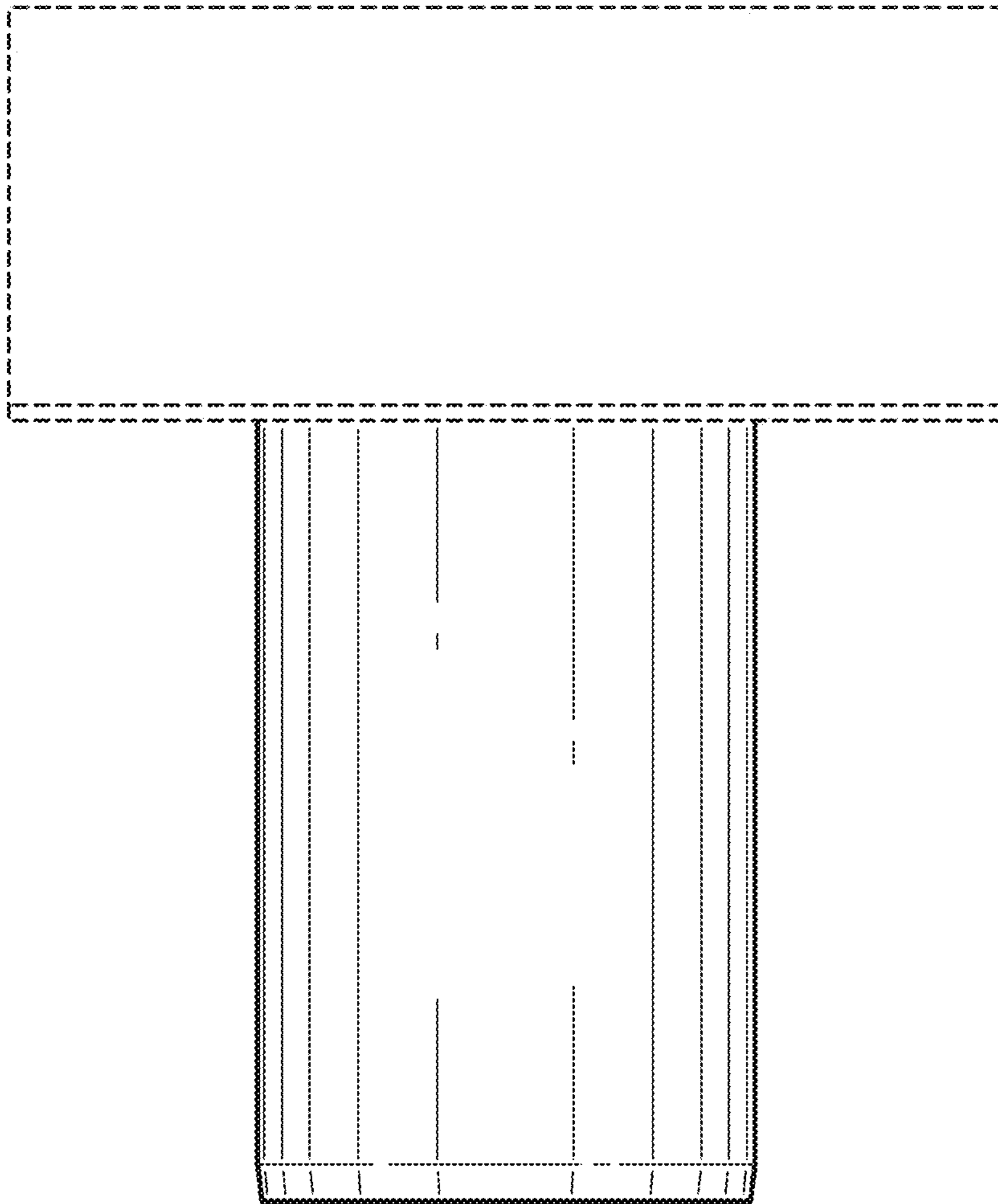


FIG. 8

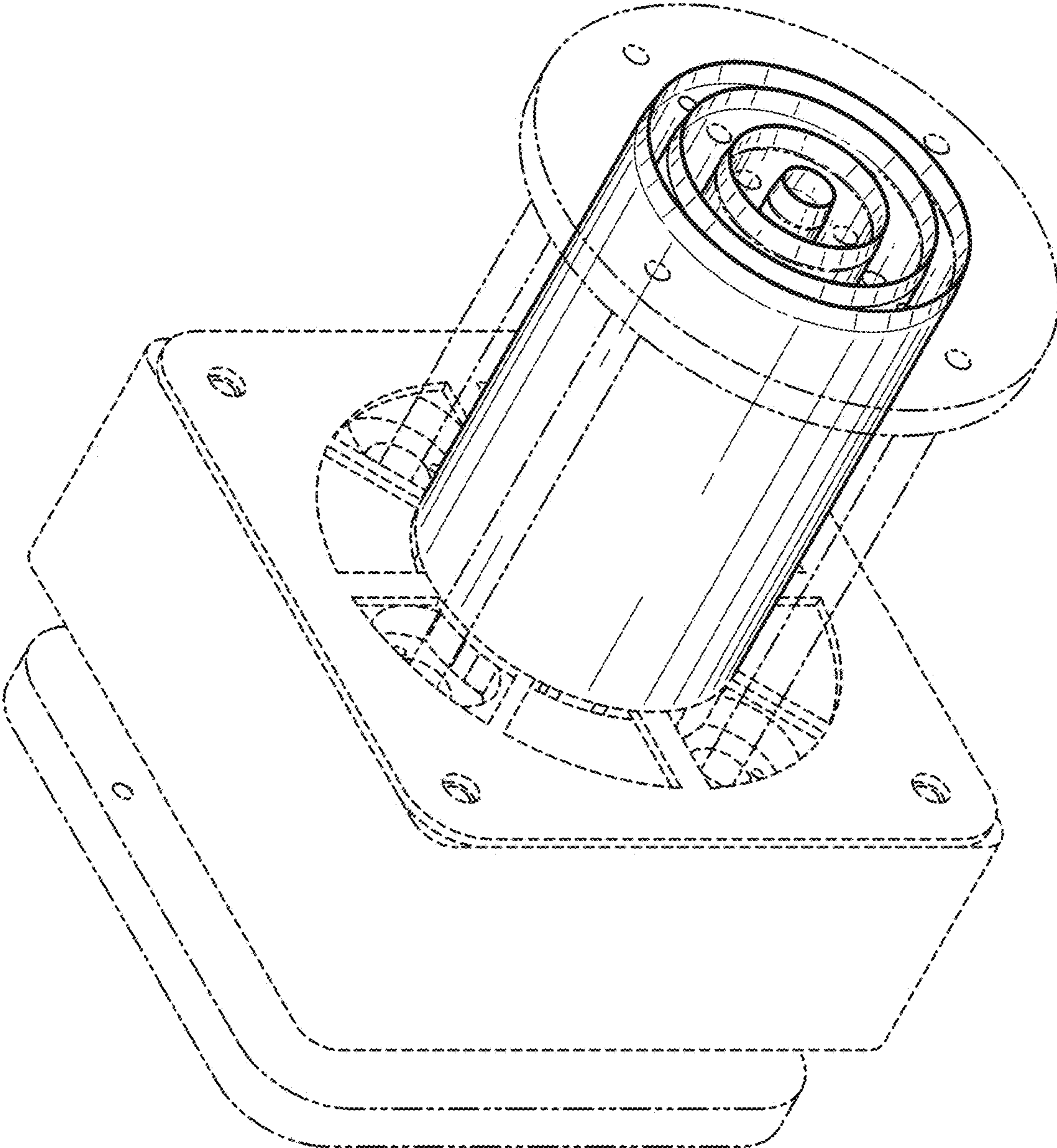


FIG. 9

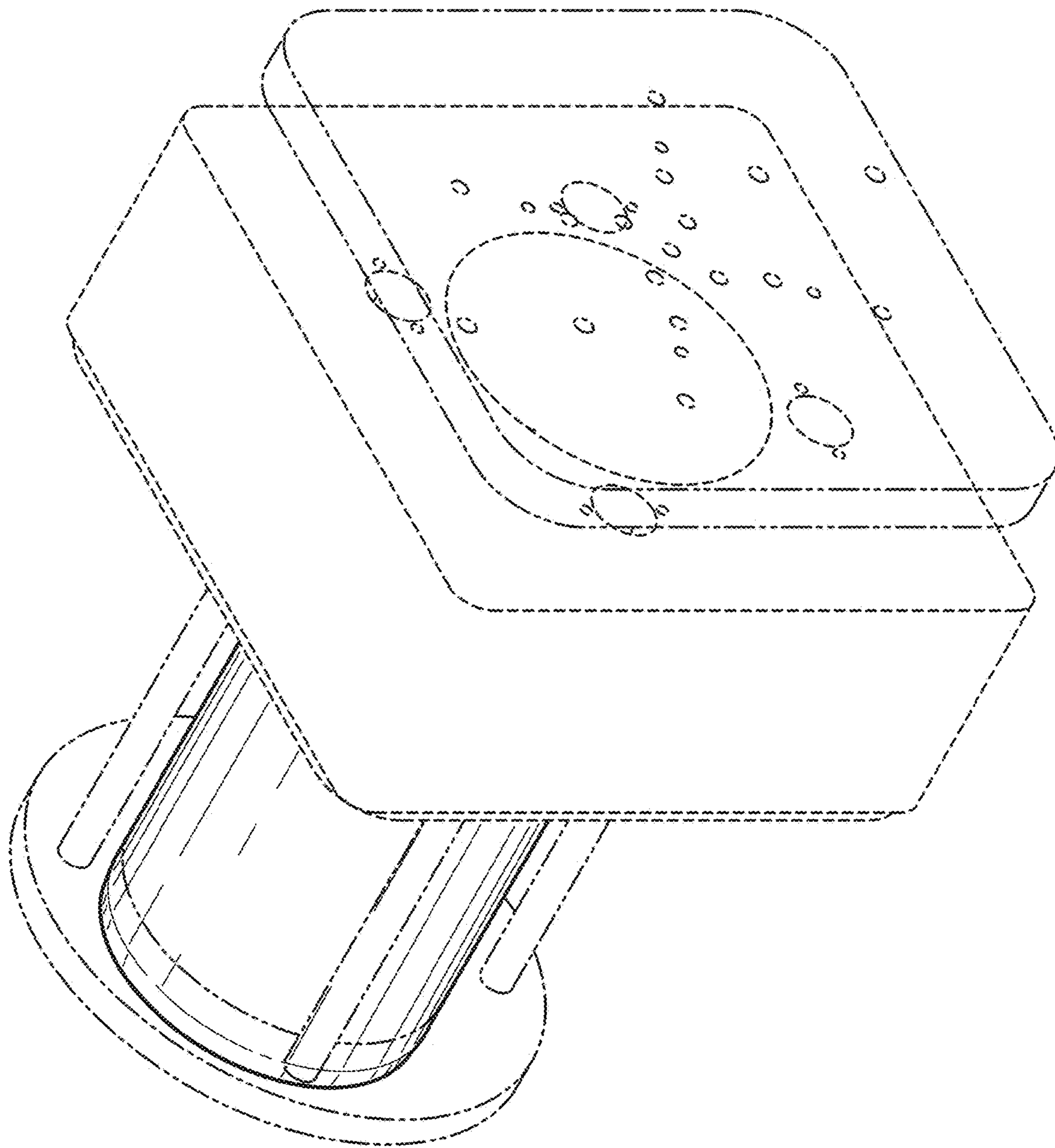


FIG. 10