



US00D896031S

(12) **United States Design Patent** (10) **Patent No.:** **US D896,031 S**  
**Monk et al.** (45) **Date of Patent:** **\*\* Sep. 15, 2020**

(54) **CUTTER FOR FOOD PRODUCTS**

FOREIGN PATENT DOCUMENTS

(71) Applicant: **Lamb Weston, Inc.**, Eagle, ID (US)

AU 1092492 A 9/1992  
AU 2623092 A 4/1993

(72) Inventors: **Samuel Monk**, Richland, WA (US);  
**Grayden Howard**, Richland, WA (US);  
**Mark Fow**, Kennewick, WA (US)

(Continued)

*Primary Examiner* — Ricky Pham

(73) Assignee: **Lamb Weston, Inc.**, Eagle, ID (US)

(74) *Attorney, Agent, or Firm* — Ryan T. Grace; Advent, LLP

(\*\*) Term: **15 Years**

(21) Appl. No.: **29/694,748**

(57) **CLAIM**

(22) Filed: **Jun. 13, 2019**

The ornamental design for a cutter for food products, as shown and described.

(51) **LOC (12) Cl.** ..... **31-00**

(52) **U.S. Cl.**  
USPC ..... **D7/412; D7/376; D7/383; D7/384;**  
**D7/385**

**DESCRIPTION**

(58) **Field of Classification Search**

USPC ..... D7/372, 376–387, 412–413, 602, 629,  
D7/665–666, 669, 679, 693–694  
CPC .. A01G 3/002; A21C 1/02; A21C 1/04; A21C  
15/04; A23G 1/202; A23N 1/00; A23N  
1/02; A23N 4/14; A23N 4/18; A23P  
30/10; A47J 43/04; A47J 43/25; A47J  
43/27; A47J 43/042; A47J 43/044; A47J  
43/046; A47J 43/075; A47J 43/0705;  
A47J 43/0722; A47J 43/0727; B01F 3/00;  
B01F 3/0807; B01F 3/0853; B01F  
13/0059; B01F 13/0064; B02C 1/08;  
B02C 2/04; B02C 4/42; B02C 4/142;  
B02C 4/143; B02C 4/423; B02C 13/1835;  
B24B 3/46; B26D 1/02; B26D 1/03;  
B26D 1/0006; B26D

FIG. 1 is an isometric view of a cutter for food products.  
FIG. 2 is another isometric view of the cutter for food products of FIG. 1.  
FIG. 3 is a top plan view of the cutter for food products of FIG. 1.  
FIG. 4 is a bottom view of the cutter for food products of FIG. 1.  
FIG. 5 is a front elevation view of the cutter for food products of FIG. 1.  
FIG. 6 is a rear elevation view of the cutter for food products of FIG. 1.  
FIG. 7 is a left side elevation view of the cutter for food products of FIG. 1.  
FIG. 8 is a right side elevation view of a cutter for food products.  
FIG. 9 is an environmental isometric view of the cutter for food products of FIG. 1; and,  
FIG. 10 is another environmental isometric view of the cutter for food products of FIG. 1.  
Portions of FIGS. 1 through 10 are shown in broken lines illustrating portions of the article that form no part of the claimed design. The dash-dot-dot-dash lines in FIGS. 9 and 10 are directed to environment and form no part of the claimed design.

(Continued)

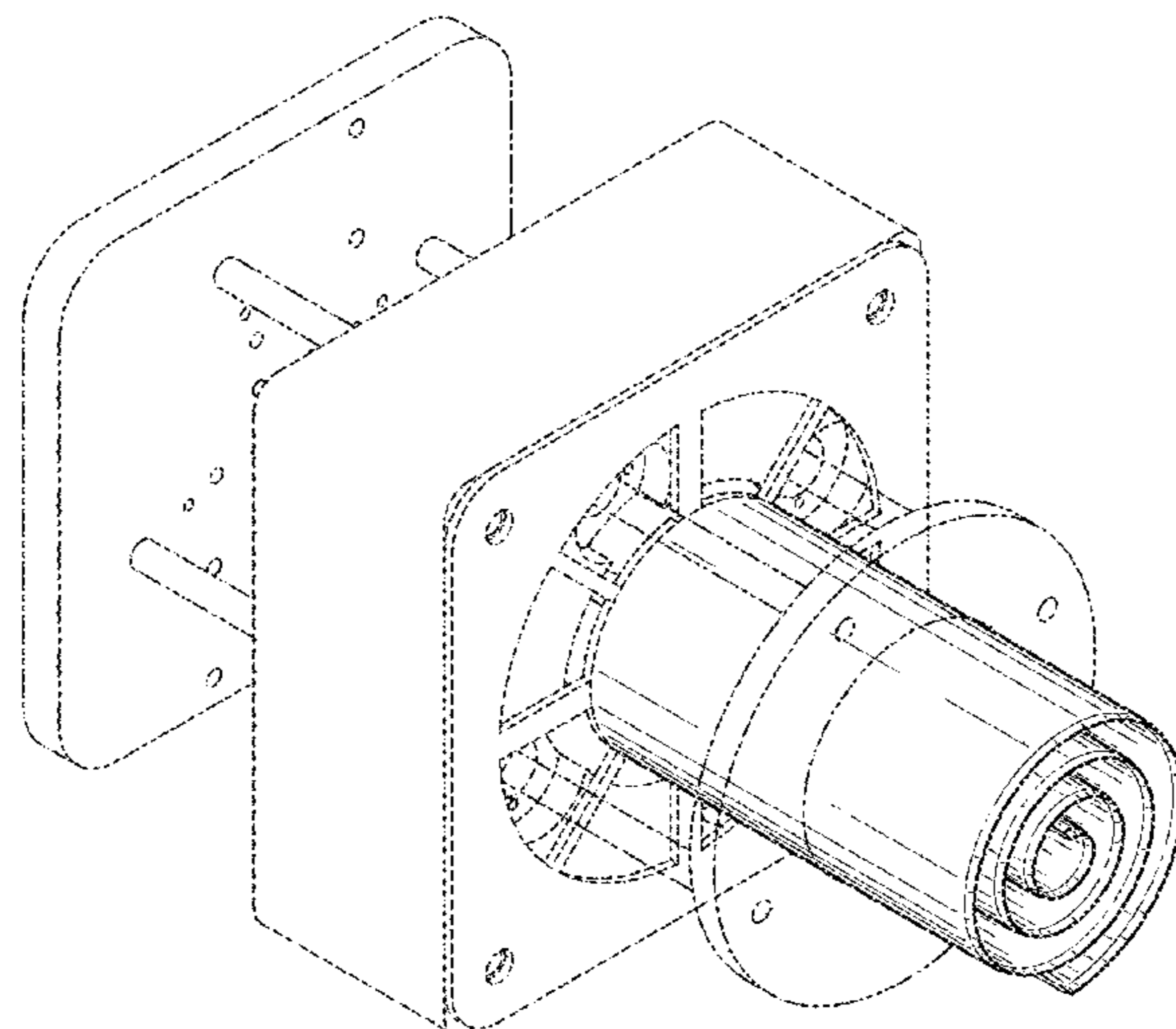
(56) **References Cited**

U.S. PATENT DOCUMENTS

1,159,869 A 2/1875 Vuillier  
2,538,430 A \* 1/1951 Shaddock ..... B26D 3/26  
83/622

(Continued)

**1 Claim, 10 Drawing Sheets**



(58) **Field of Classification Search**  
 CPC ..... 3/11; B26D 3/22; B26D 3/24; B26D 3/26;  
 B26D 7/06; B28C 5/10; B28C 5/12;  
 B28C 5/14; B28C 5/16; F25C 5/12  
 See application file for complete search history.

(56) **References Cited**

U.S. PATENT DOCUMENTS

2,720,901 A 10/1955 Heller et al.  
 3,109,470 A \* 11/1963 Urschel ..... B26D 3/24  
 83/699.51  
 3,680,615 A 8/1972 Catalina et al.  
 3,687,688 A 8/1972 Stapley et al.  
 3,933,085 A 1/1976 Rejsa et al.  
 3,952,621 A 4/1976 Chambos et al.  
 4,387,111 A 6/1983 Mullender  
 4,511,586 A \* 4/1985 Fitzwater ..... B26D 3/22  
 426/144  
 4,523,503 A \* 6/1985 Julian ..... B26D 1/03  
 83/403  
 4,644,838 A \* 2/1987 Samson ..... B26D 7/06  
 83/162  
 4,926,726 A \* 5/1990 Julian ..... B26D 3/11  
 408/111  
 4,979,418 A \* 12/1990 Covert ..... B26D 3/11  
 408/111  
 5,046,388 A 9/1991 Mendenhall  
 5,050,809 A \* 9/1991 Rupp ..... F25C 5/12  
 222/129.1  
 5,060,563 A 10/1991 Plant et al.  
 5,088,372 A 2/1992 Lund et al.  
 5,095,875 A \* 3/1992 Morris ..... B26D 1/0006  
 83/403  
 5,097,735 A 3/1992 Mendenhall  
 5,101,718 A \* 4/1992 Lin ..... A23N 4/18  
 30/302  
 5,123,521 A 6/1992 Mendenhall  
 5,138,940 A 8/1992 Geissler et al.  
 5,167,177 A 12/1992 Cimperman et al.  
 5,181,458 A 1/1993 Plant et al.  
 5,211,098 A 5/1993 Mendenhall  
 5,211,278 A 5/1993 Mendenhall  
 5,224,409 A 7/1993 Cimperman et al.  
 5,228,937 A 7/1993 Passeno  
 5,275,071 A 1/1994 Plant et al.  
 5,296,252 A 3/1994 Mendenhall  
 5,473,967 A 12/1995 Frey et al.  
 5,655,428 A \* 8/1997 Cockburn ..... B26D 1/0006  
 83/402  
 5,662,033 A \* 9/1997 Yawman ..... B26D 3/26  
 83/356.1  
 5,896,801 A \* 4/1999 Jacko ..... B26D 3/22  
 83/356.3  
 5,960,709 A \* 10/1999 Yip ..... A47J 43/0705  
 241/199.12  
 6,113,016 A \* 9/2000 Vedefors ..... B26D 1/0006  
 241/169.1  
 6,494,392 B1 \* 12/2002 Vedefors ..... A01G 3/002  
 241/101.78  
 6,557,260 B1 \* 5/2003 Morris ..... A21C 15/04  
 30/114  
 6,725,765 B1 \* 4/2004 Mendenhall ..... B26D 1/0006  
 83/402  
 6,854,383 B2 2/2005 Wang

7,513,450 B2 \* 4/2009 Young ..... B26D 1/0006  
 241/282.1  
 8,337,281 B2 \* 12/2012 Levsen ..... B24B 3/46  
 451/285  
 8,347,511 B2 \* 1/2013 Young ..... B26D 3/26  
 30/303  
 9,089,987 B2 7/2015 Walker et al.  
 D770,227 S \* 11/2016 Crawford ..... D7/412  
 9,943,978 B2 \* 4/2018 Walker ..... A23P 30/10  
 10,160,132 B2 \* 12/2018 Walker ..... B26D 1/02  
 2003/0072835 A1 \* 4/2003 Weinstein ..... A23G 1/202  
 425/313  
 2006/0196335 A1 9/2006 Jones  
 2006/0283339 A1 \* 12/2006 Jensen ..... A23N 4/14  
 99/537  
 2012/0024125 A1 2/2012 Walker et al.  
 2013/0087032 A1 4/2013 Walker et al.  
 2015/0246456 A1 9/2015 Walker et al.  
 2016/0016326 A1 1/2016 Walker et al.

FOREIGN PATENT DOCUMENTS

AU 645657 B2 1/1994  
 AU 652079 B2 8/1994  
 AU 2011283050 A1 2/2013  
 AU 2012323311 A1 4/2014  
 AU 2011283050 B2 9/2015  
 CA 1308000 C 9/1992  
 CA 2060668 A1 9/1992  
 CA 2466381 A1 11/1992  
 CA 2080789 A1 4/1993  
 CA 2102600 C 2/2004  
 CA 2102620 C 3/2004  
 CA 2102602 C 12/2004  
 CA 2805657 A1 2/2012  
 CA 2850796 A1 4/2013  
 CN 2408695 Y 12/2000  
 CN 103038031 A 4/2013  
 CN 104010780 A 8/2014  
 CN 104010780 B 7/2016  
 DE 9214810 U1 1/1993  
 DE 69210817 T2 11/1996  
 EP 0400722 A2 12/1990  
 EP 0505313 A2 9/1992  
 EP 0540909 A1 5/1993  
 EP 0586572 A1 3/1994  
 EP 0693348 A1 1/1996  
 EP 0540909 B1 5/1996  
 EP 0583412 B1 5/1996  
 EP 0583365 B1 10/1996  
 EP 0400722 B1 1/1998  
 EP 0693348 B1 5/2000  
 EP 2598295 A1 6/2013  
 EP 2766154 A1 8/2014  
 GB 2258393 A 2/1993  
 GB 2258393 B 11/1994  
 JP H0387169 A 4/1991  
 MX 2014004329 A 2/2015  
 WO 8809711 A1 12/1988  
 WO 9201392 A1 2/1992  
 WO 9219426 A1 11/1992  
 WO 9219427 A1 11/1992  
 WO 9219500 A1 11/1992  
 WO 2012015661 A1 2/2012  
 WO 2013055740 A1 4/2013  
 WO 2017023938 A1 2/2017

\* cited by examiner



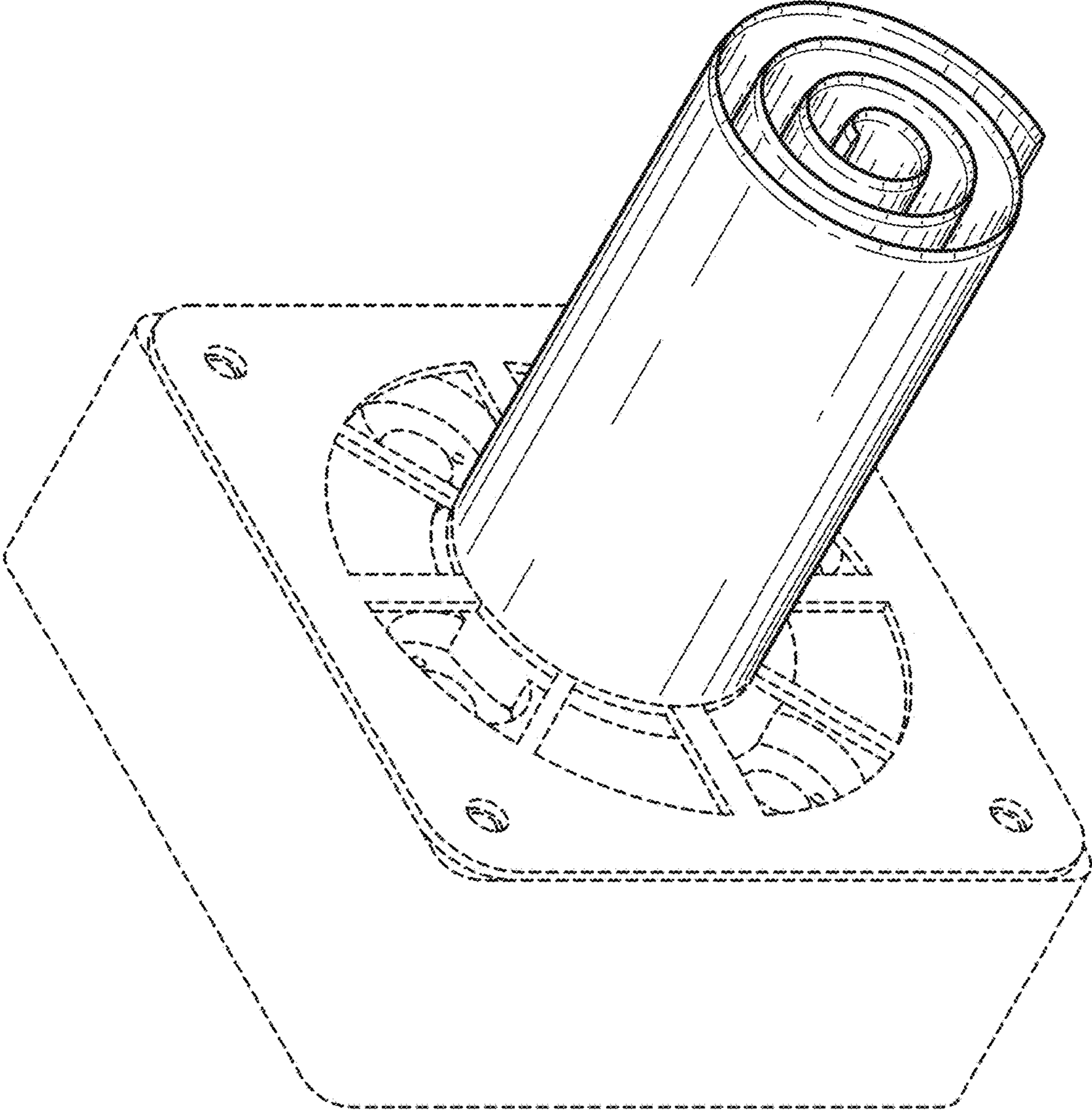


FIG. 1

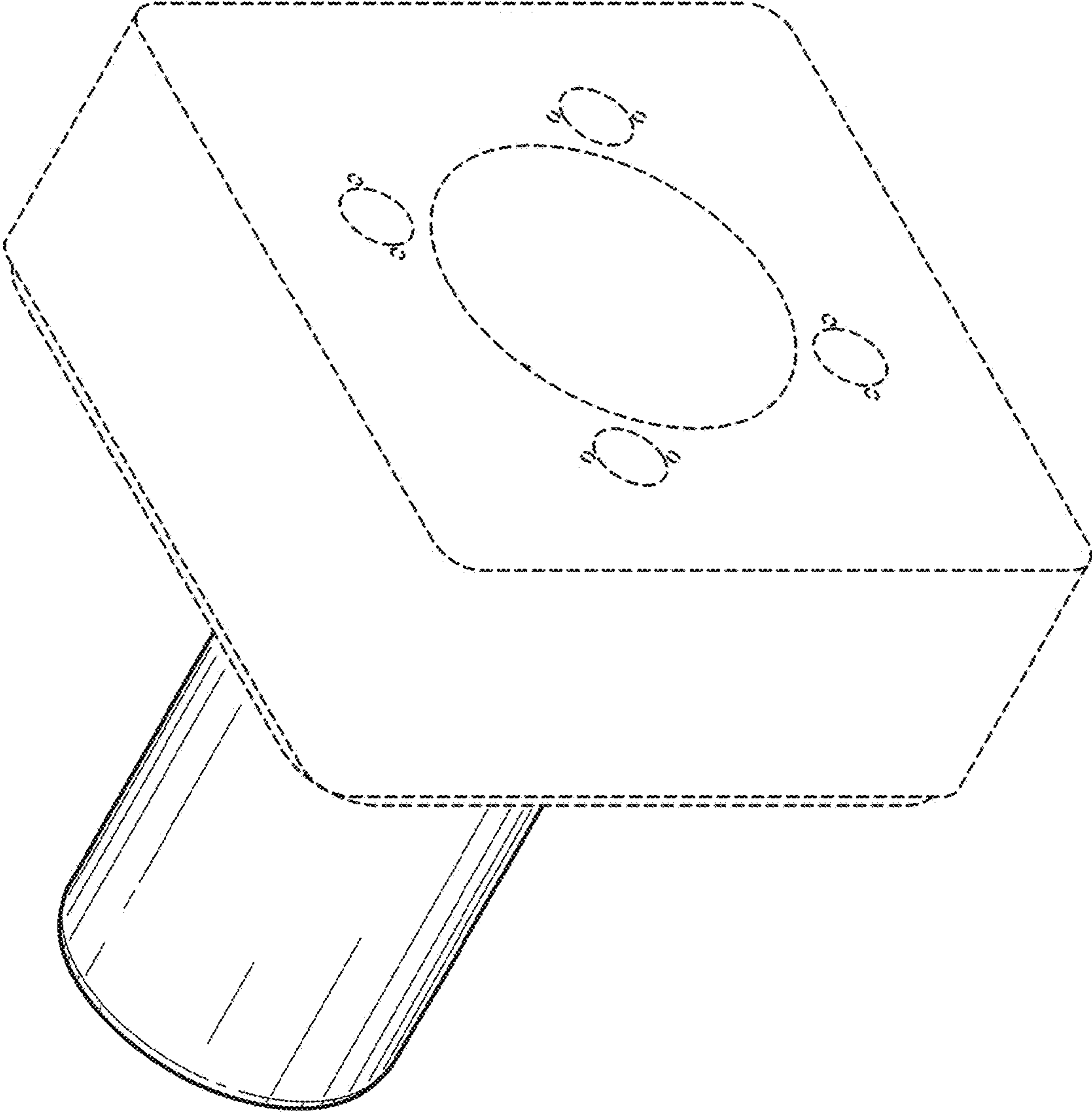
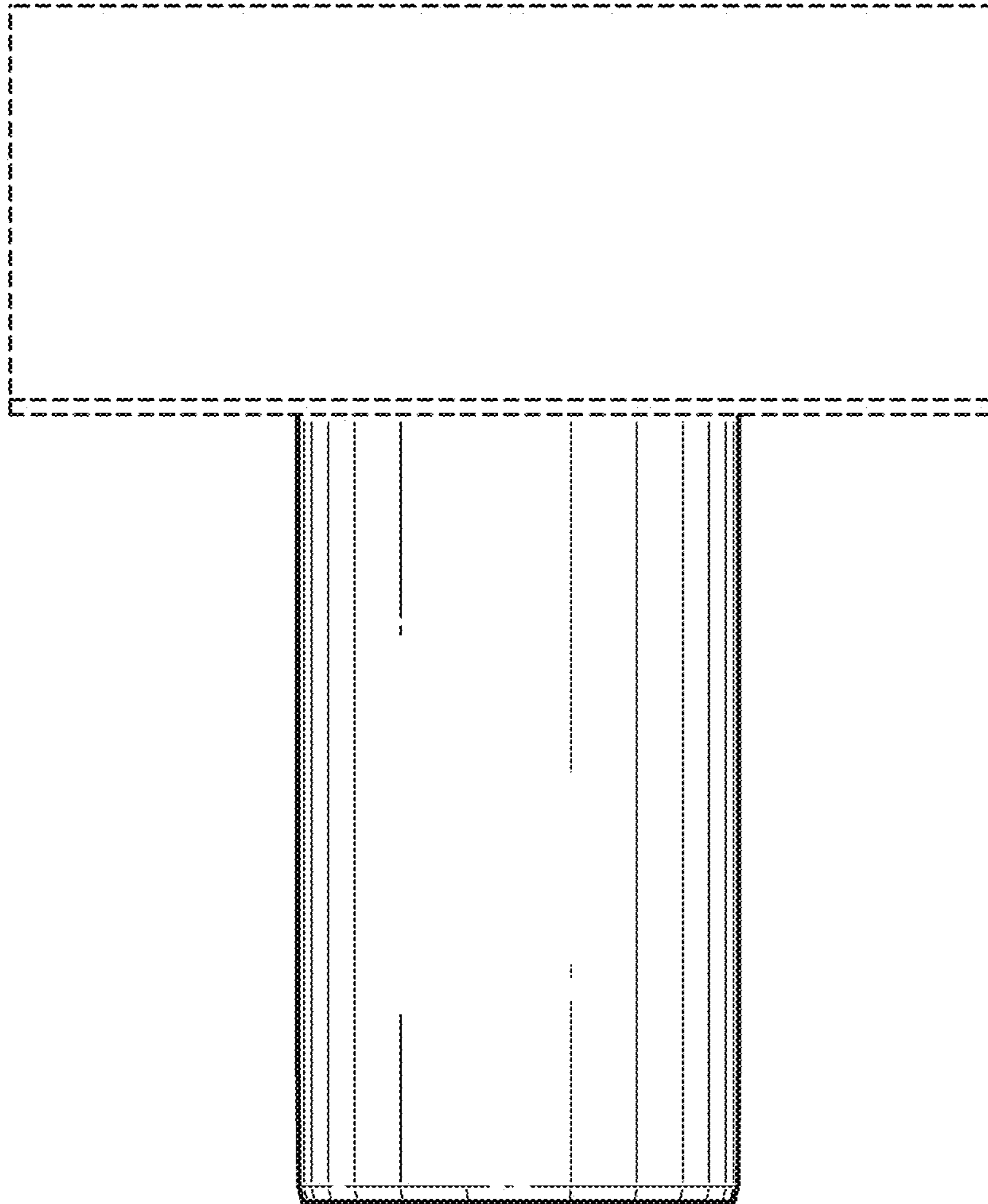


FIG. 2



**FIG. 3**

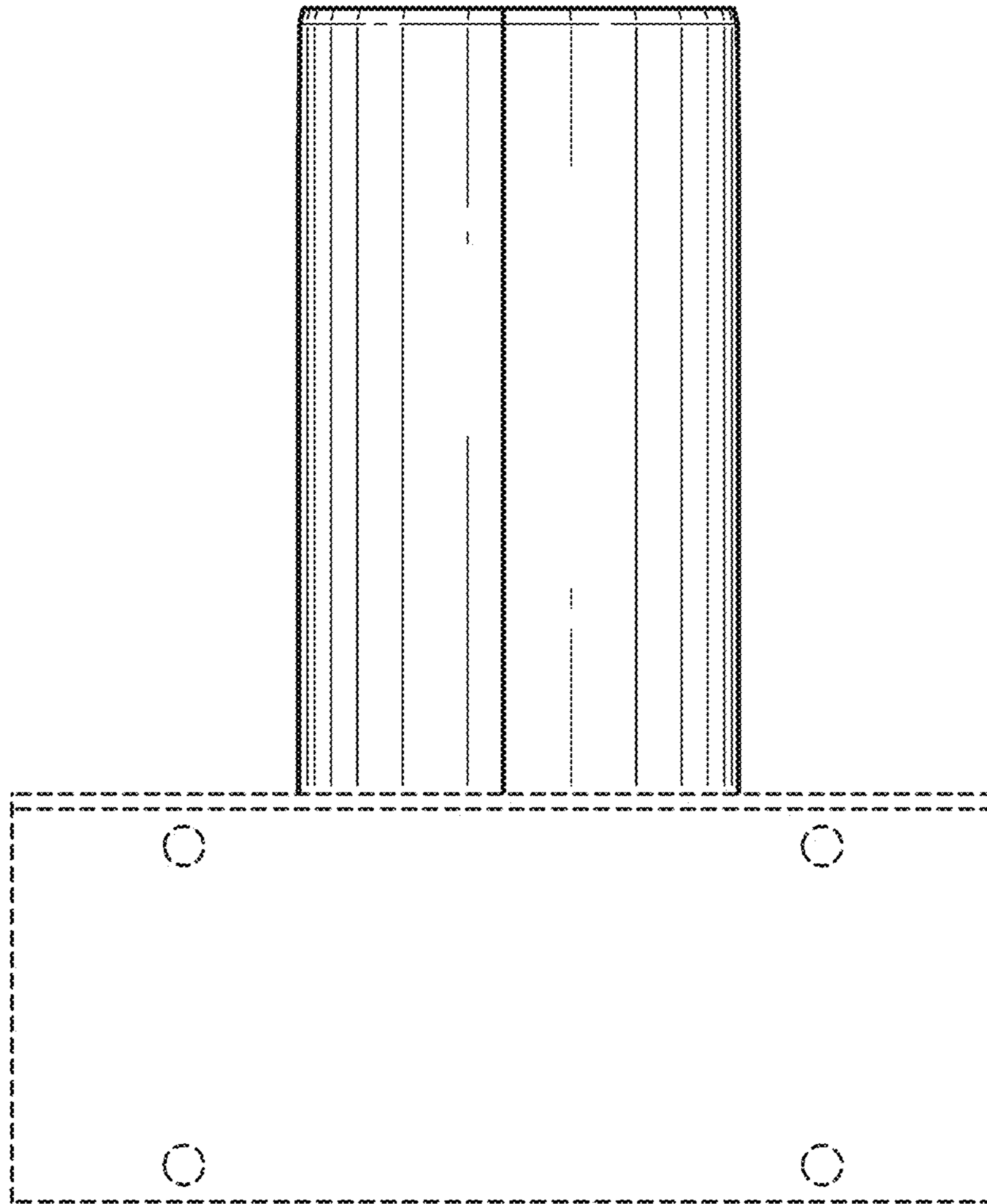
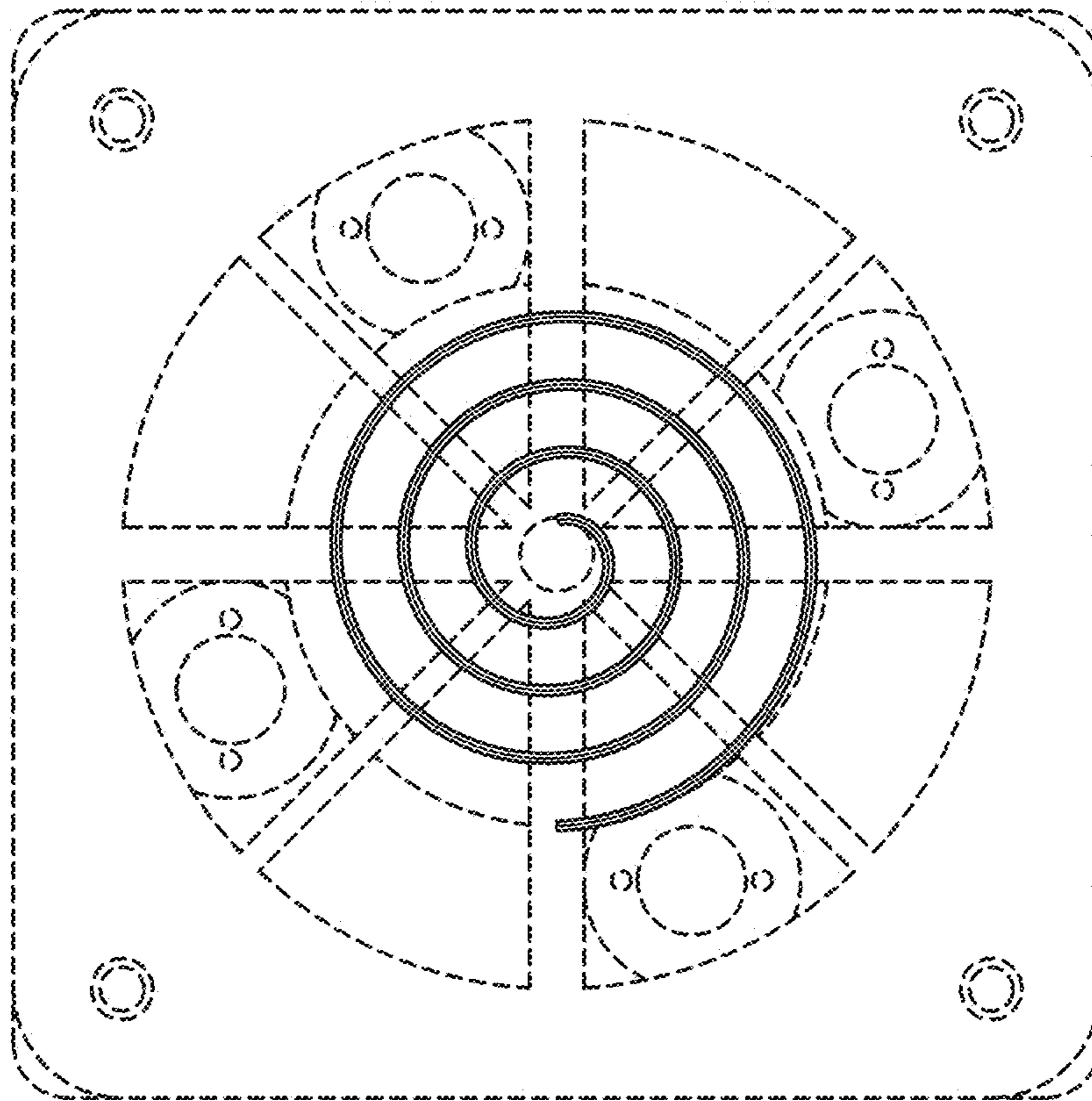


FIG. 4



**FIG. 5**

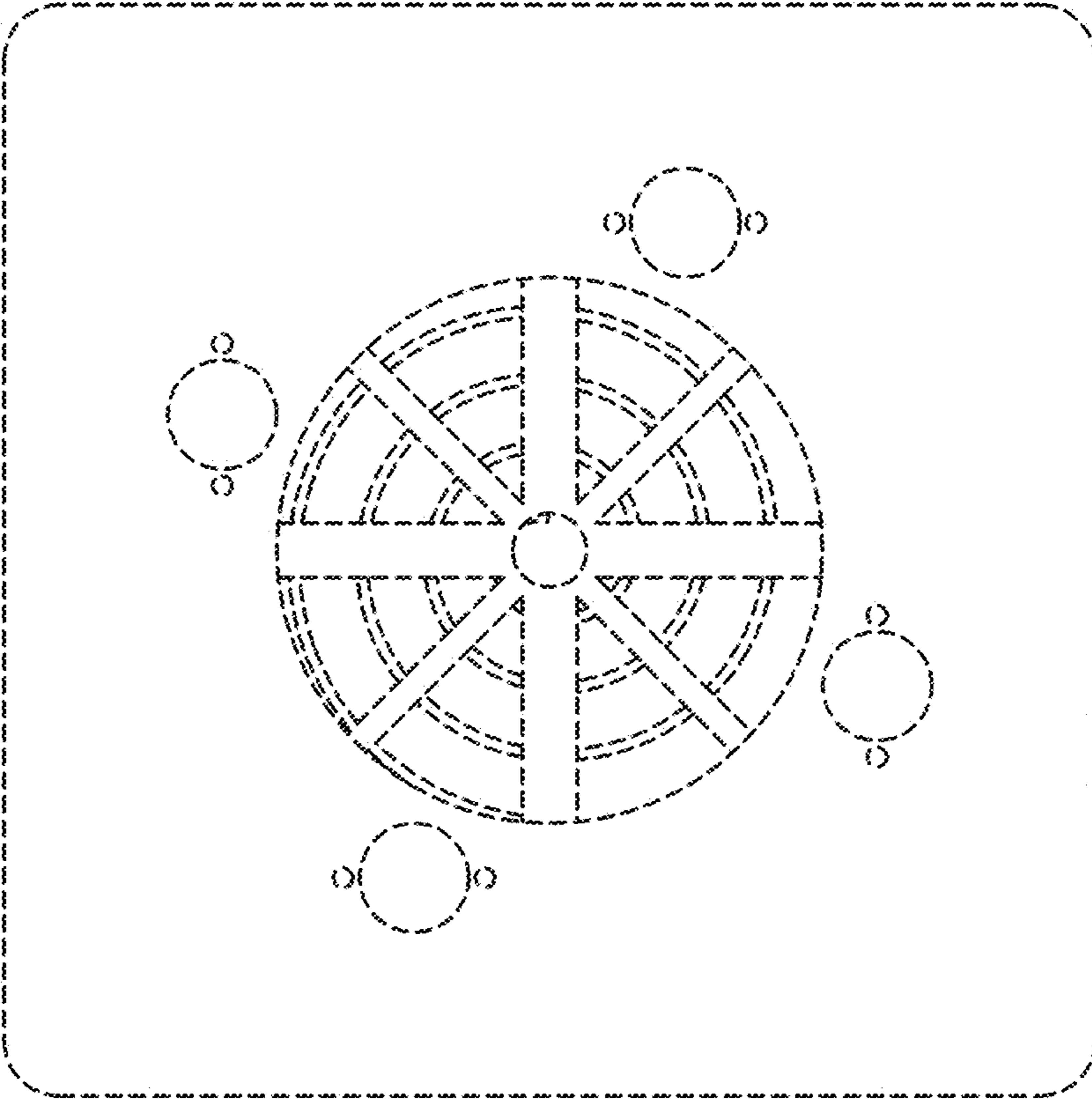


FIG. 6



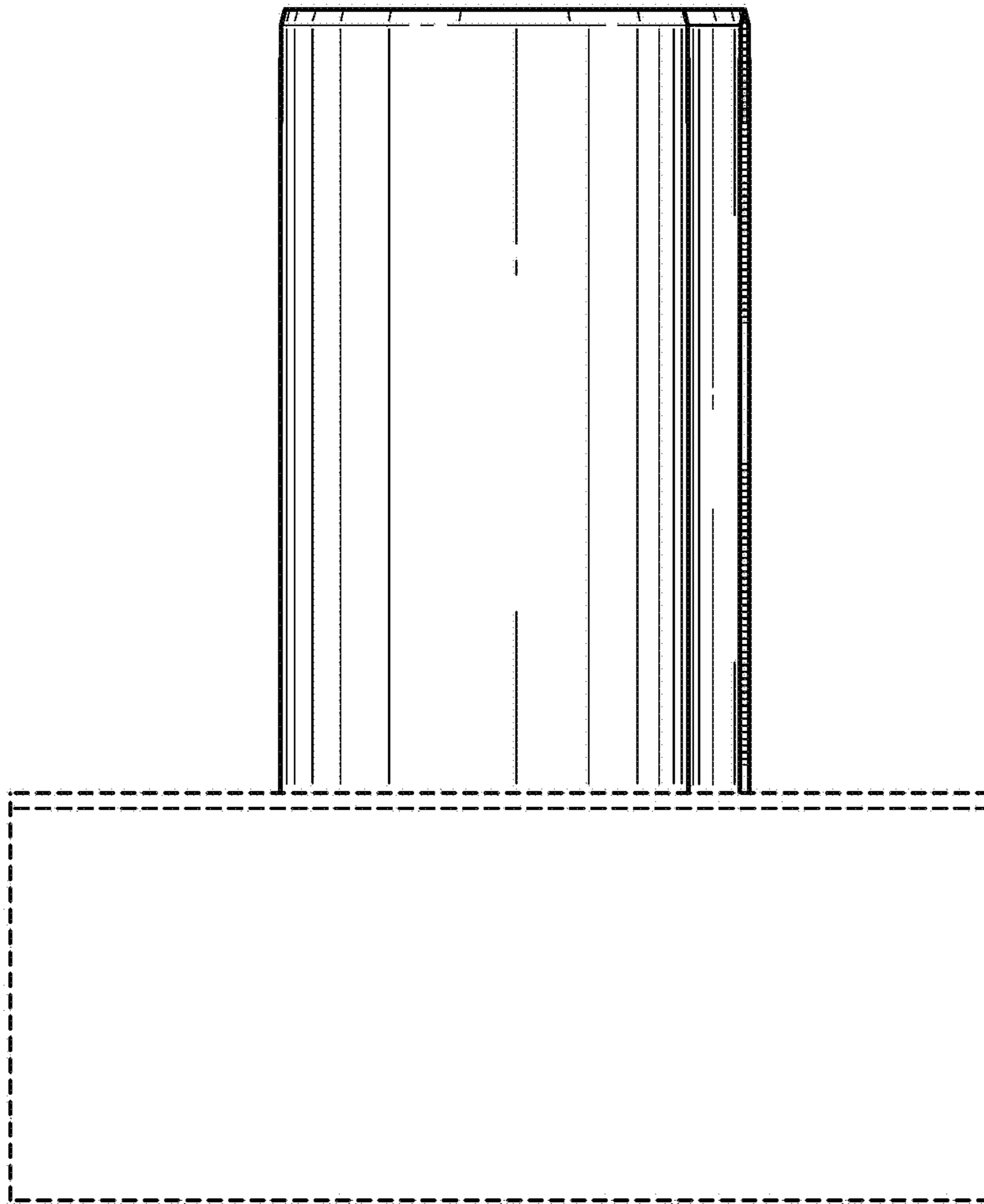


FIG. 7

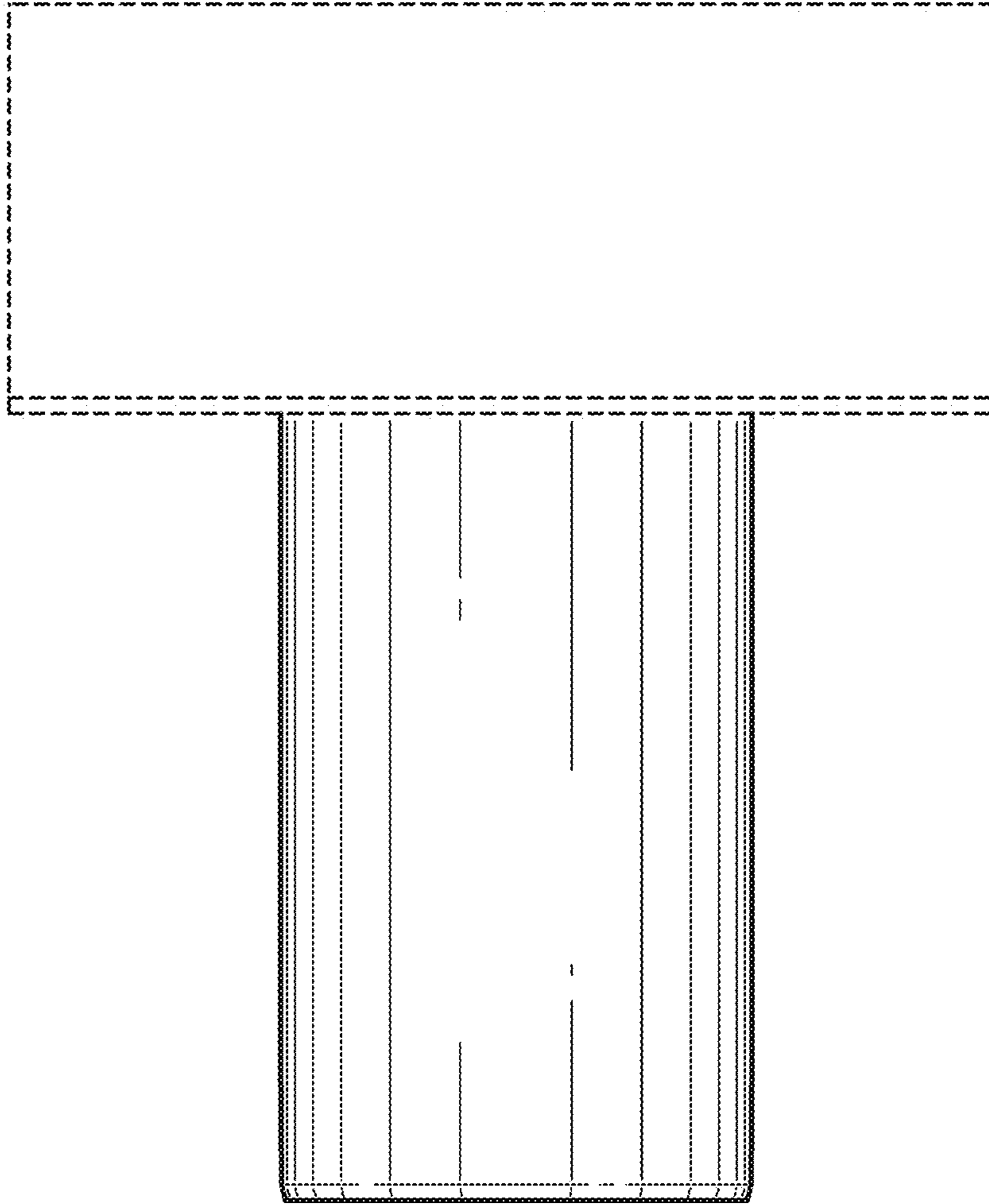


FIG. 8

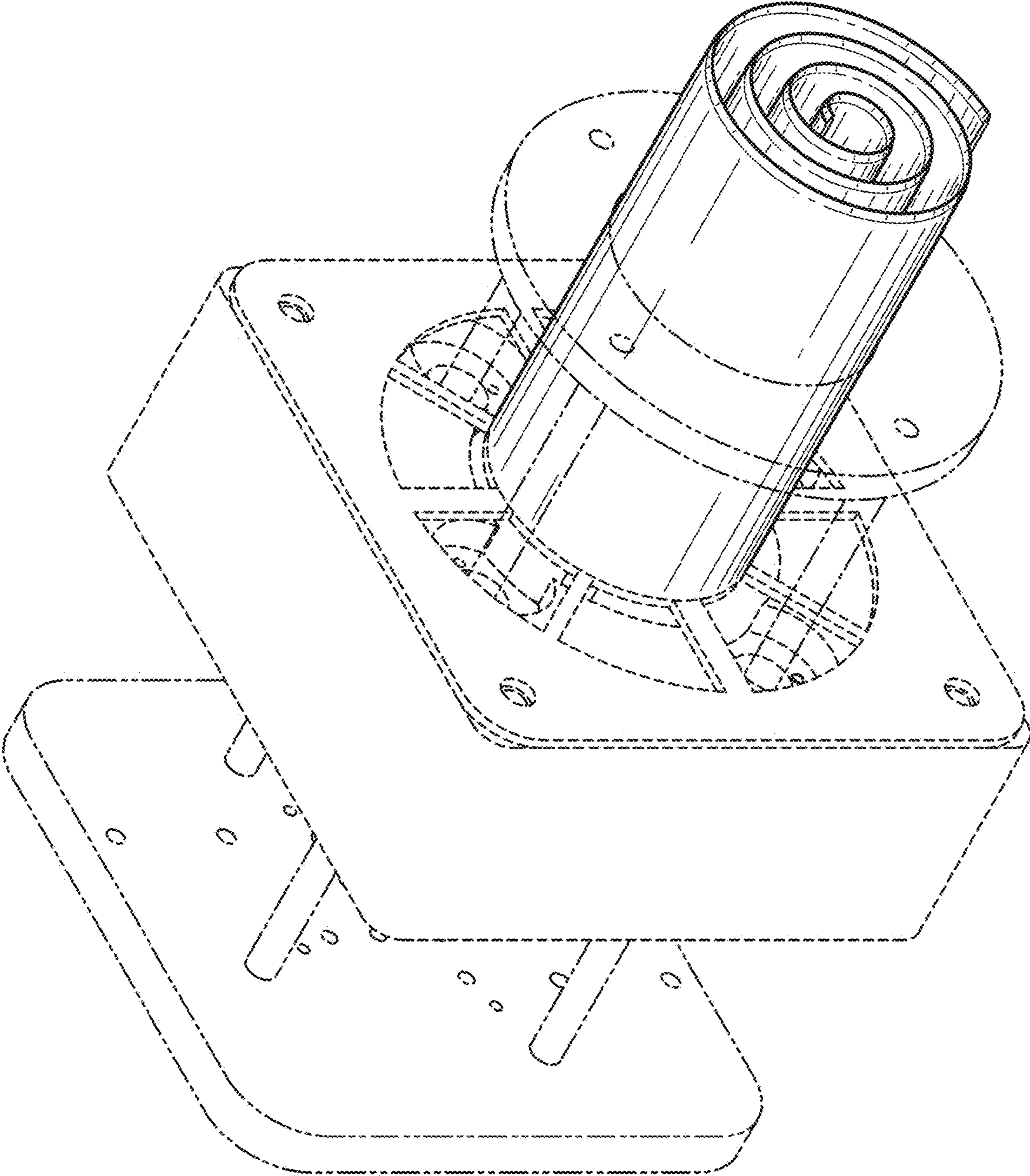


FIG. 9

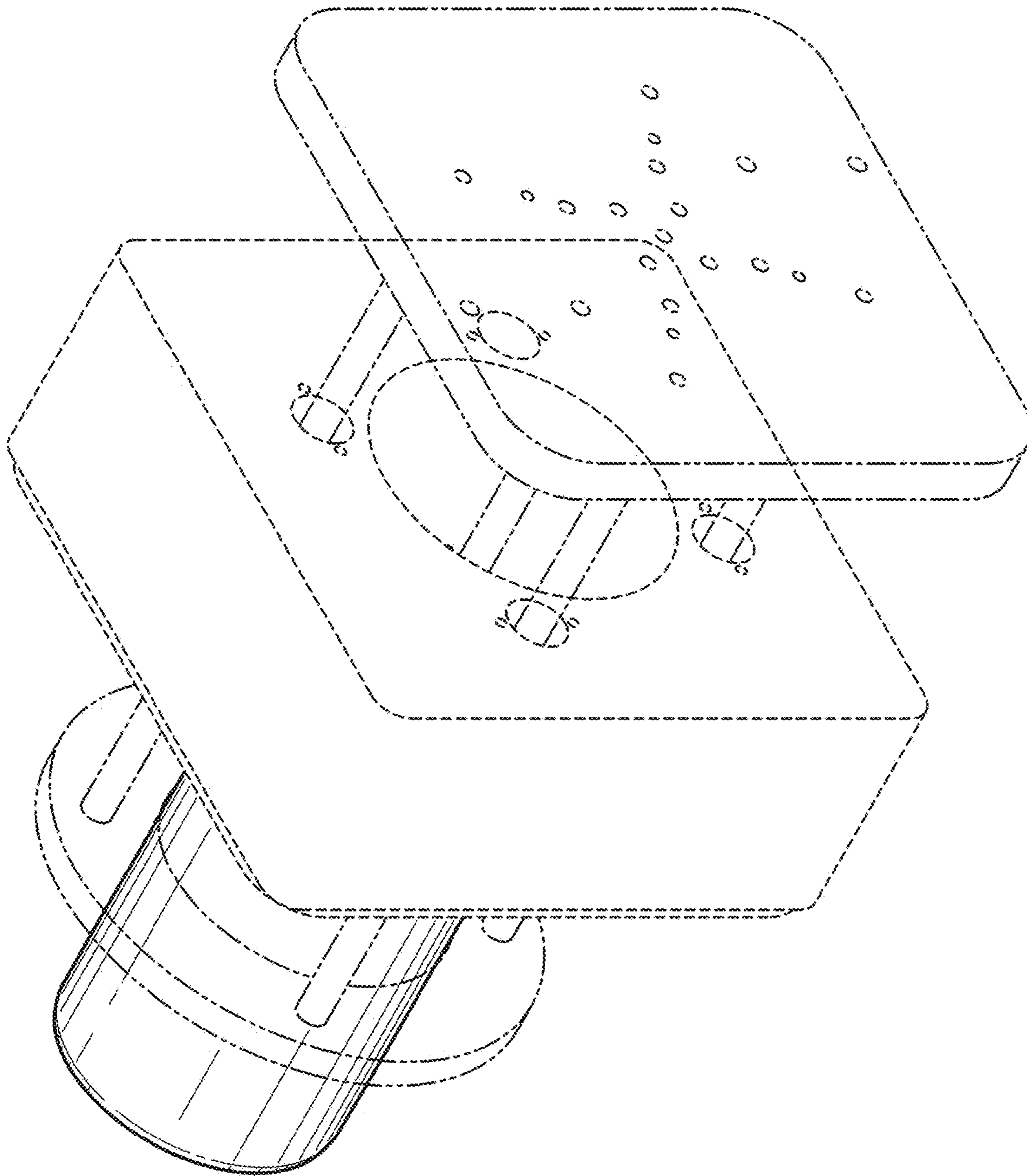


FIG. 10