



US00D896029S

(12) **United States Design Patent**
Thompson

(10) **Patent No.:** **US D896,029 S**

(45) **Date of Patent:** **** Sep. 15, 2020**

- (54) **ANTI-FLARE ROUND PAN**
- (71) Applicant: **Base4 Ventures, LLC**, Addison, TX (US)
- (72) Inventor: **Joseph Charles Thompson**, Lewisville, TX (US)
- (73) Assignee: **Base4 Ventures, LLC**, Addison, TX (US)
- (**) Term: **15 Years**
- (21) Appl. No.: **29/651,850**
- (22) Filed: **May 1, 2019**
- (51) **LOC (12) Cl.** **07-99**
- (52) **U.S. Cl.**
USPC **D7/409**
- (58) **Field of Classification Search**
USPC D7/323, 352, 354, 355, 356, 357, 358, D7/359, 360, 361, 362, 363, 364, 365, D7/366, 396.1, 402, 409, 410
CPC .. A47J 27/00; A47J 37/00; A47J 37/01; A47J 37/04; A47J 37/06; A47J 37/10; A47J 37/0611; A47J 37/08; A47J 37/0807; A47J 37/0814; A47J 37/0835; A47J 37/0842; A47J 37/085; A47J 37/0864; A47J 37/0878; A47J 37/0885; A47J 37/0892; A47J 36/00; A47J 36/02; A47J 36/06; A47J 36/16; A47J 36/24; A47J 36/022; A47J 36/027
See application file for complete search history.

D556,503 S *	12/2007	Holcomb	D7/360
7,415,922 B2	8/2008	Cheng		
D579,713 S *	11/2008	Dodane	D7/360
D607,265 S *	1/2010	Gaunaurd, III	D7/354
D611,300 S *	3/2010	Chen	D7/409
D690,984 S	10/2013	Hauser		
D779,871 S *	2/2017	Zemel	D7/354
D806,464 S	1/2018	Sarnoff		
D806,471 S	1/2018	Fullmer		
D839,656 S	2/2019	Patel		
D871,139 S *	12/2019	Peterson	D7/409
D877,556 S *	3/2020	Saad	D7/359
2009/0196970 A1	8/2009	Barrett		

OTHER PUBLICATIONS

IG Anti-Flare Round Pan Topper, announced © 2020 [online], retrieved May 5, 2020, retrieved from internet, <https://www.athome.com/ig-anti-flare-round-pan-topper/124295459.html>.*

* cited by examiner

Primary Examiner — Barbara Fox

Assistant Examiner — Messina L Smith

(74) *Attorney, Agent, or Firm* — Jonathan E. Grant; Grant Patent Service

(57) **CLAIM**

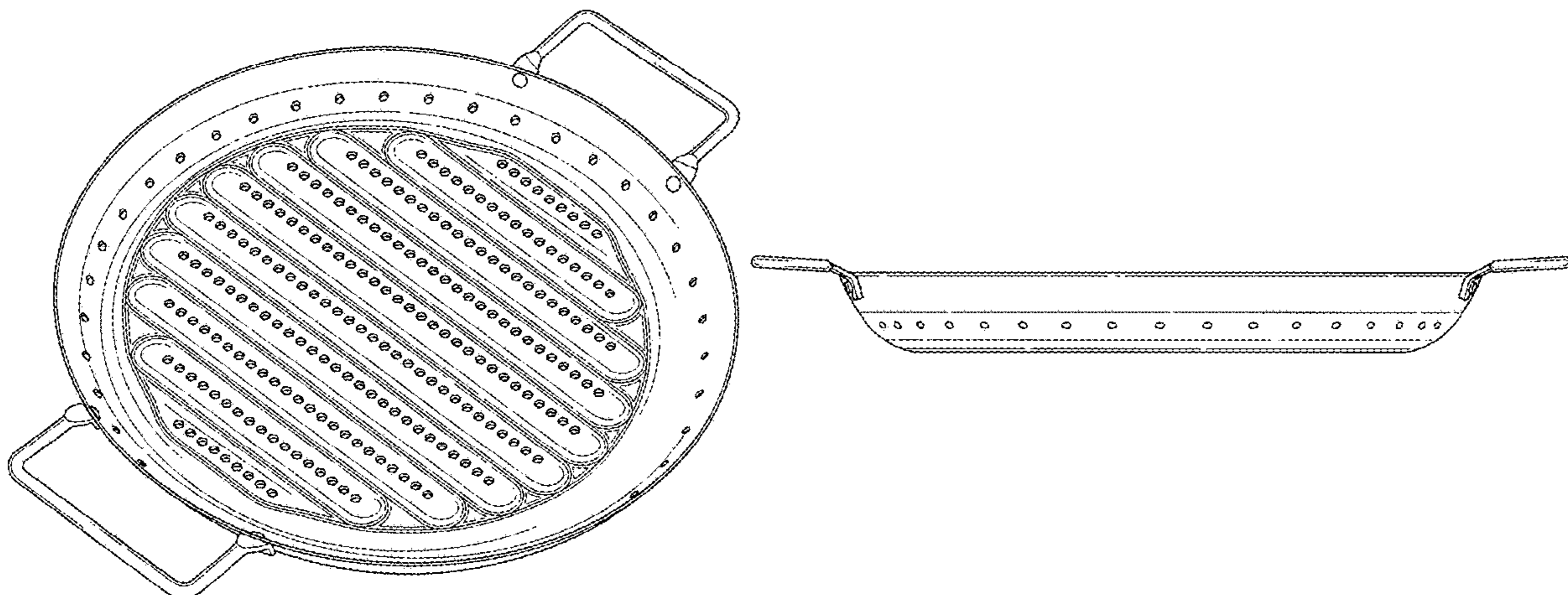
I claim the ornamental design for an anti-flare round pan, as shown and described.

DESCRIPTION

FIG. 1 is a perspective view of an anti-flare round pan showing my new design;
FIG. 2 is a top view of the anti-flare round pan;
FIG. 3 is a bottom view of the anti-flare round pan;
FIG. 4 is a first side view of the anti-flare round pan;
FIG. 5 is a second side view of the anti-flare round pan;
FIG. 6 is a front side view of the anti-flare round pan; and,
FIG. 7 is a back side view of the anti-flare round pan.

1 Claim, 5 Drawing Sheets

- (56) **References Cited**
U.S. PATENT DOCUMENTS
D311,339 S 10/1990 Weed
D463,202 S 9/2002 Smith
6,523,460 B1 2/2003 Lange
6,782,801 B1 8/2004 Correa



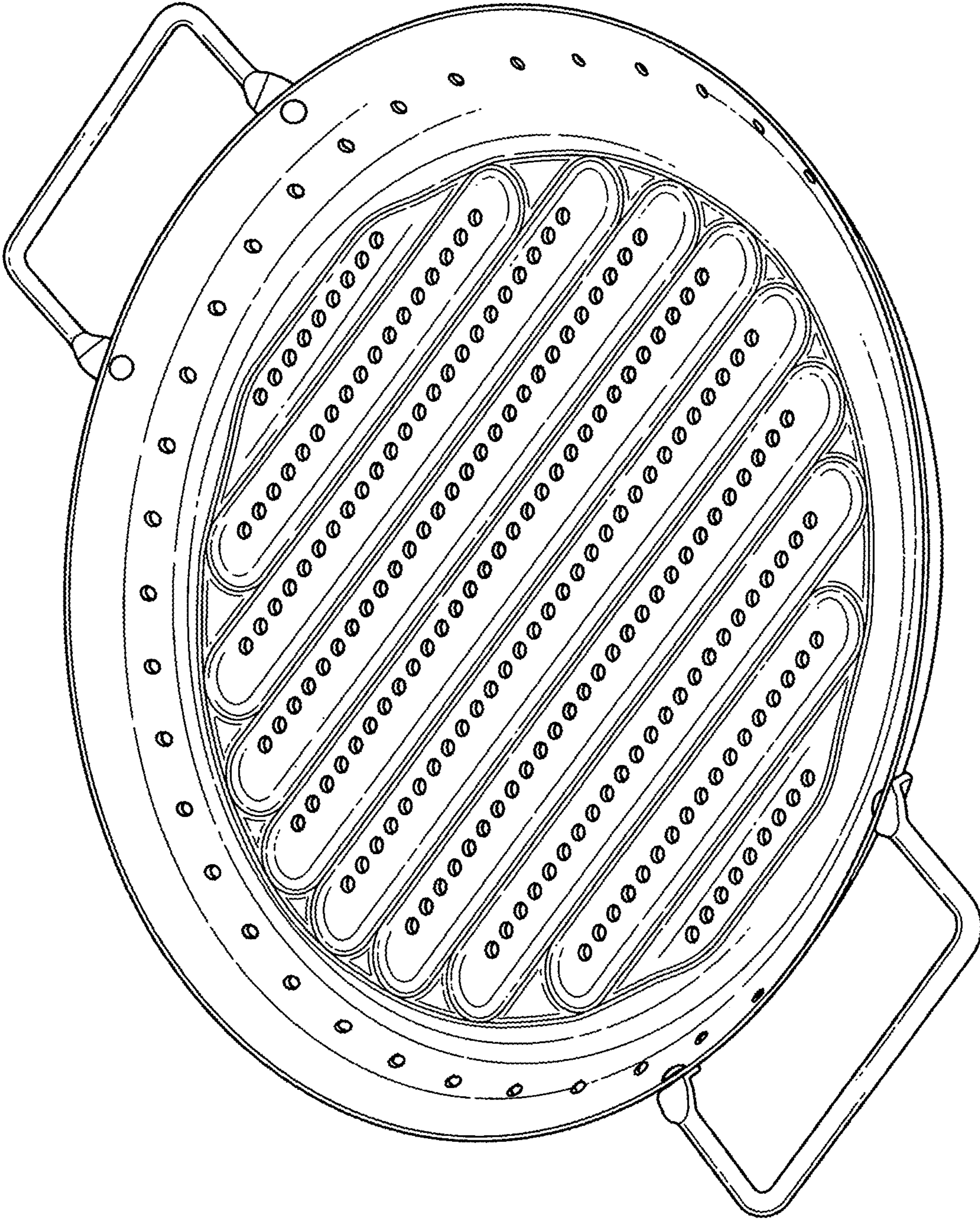


FIG. 1

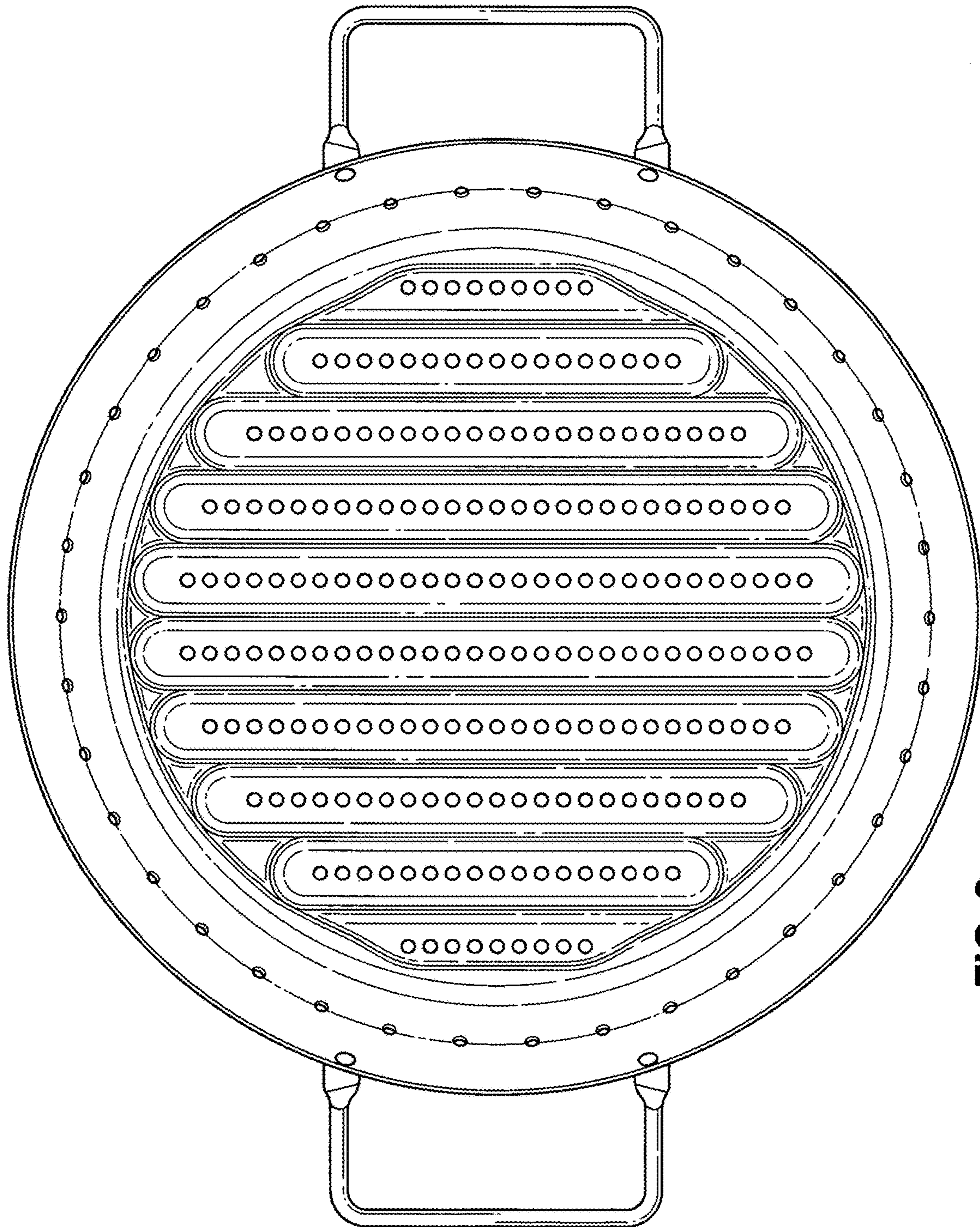


FIG. 2

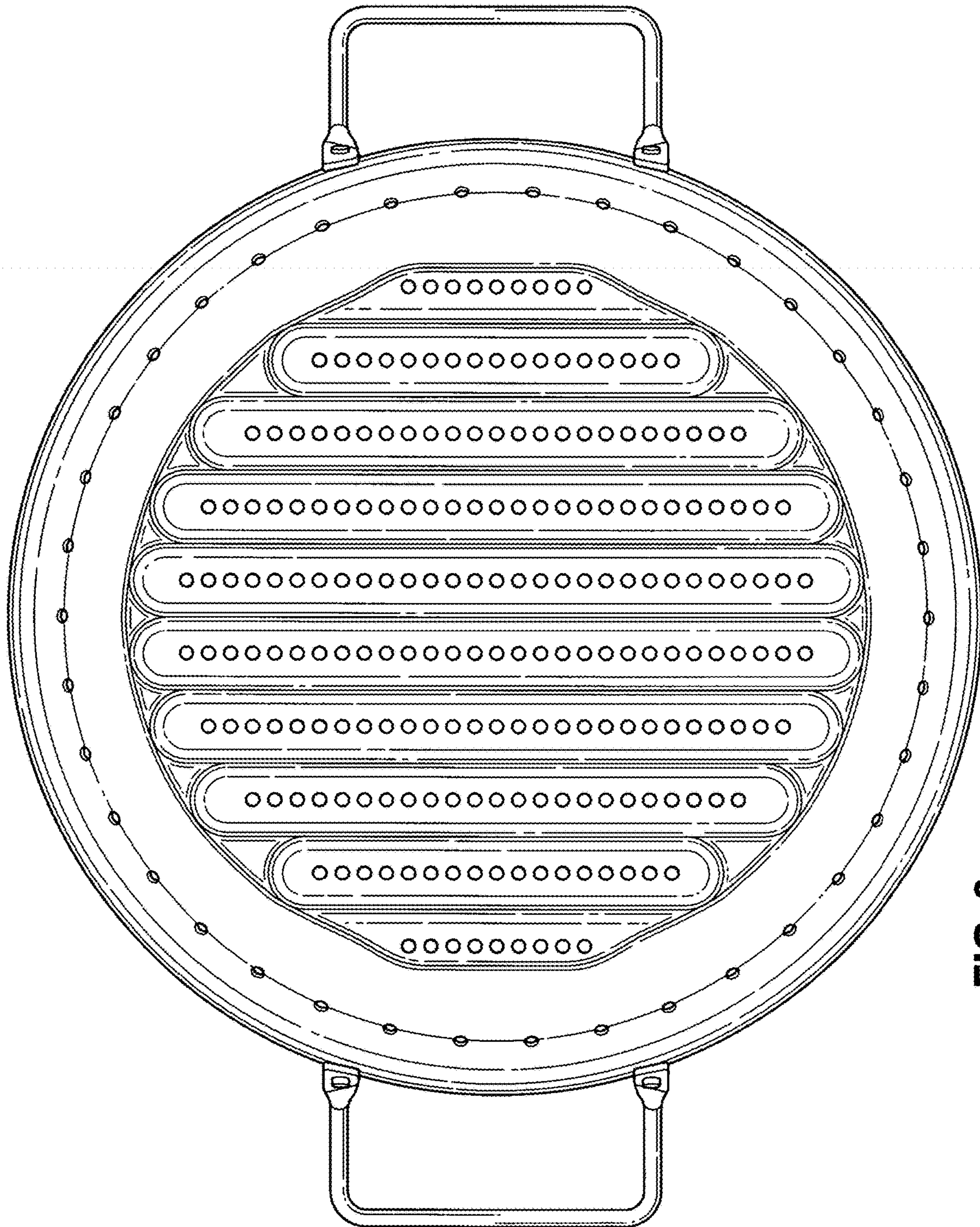


FIG. 3

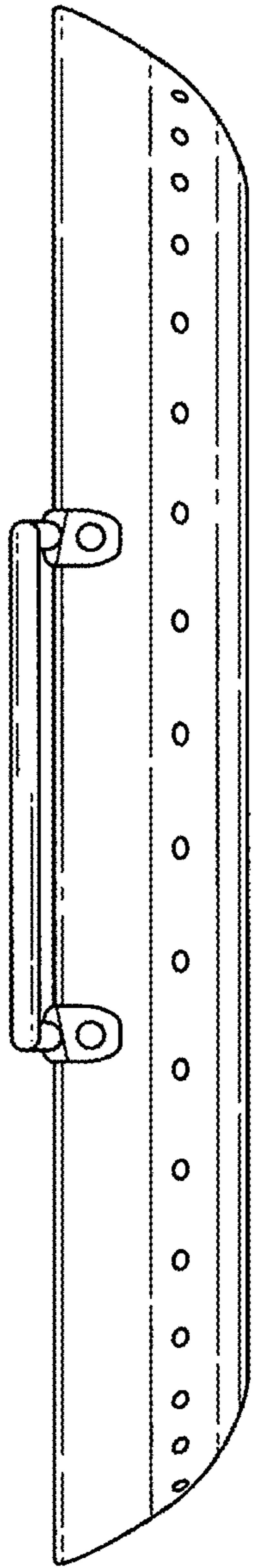


FIG. 4

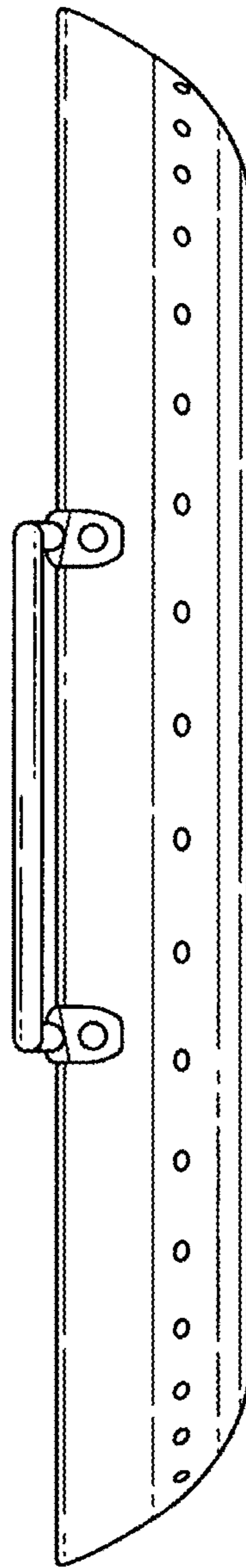


FIG. 5

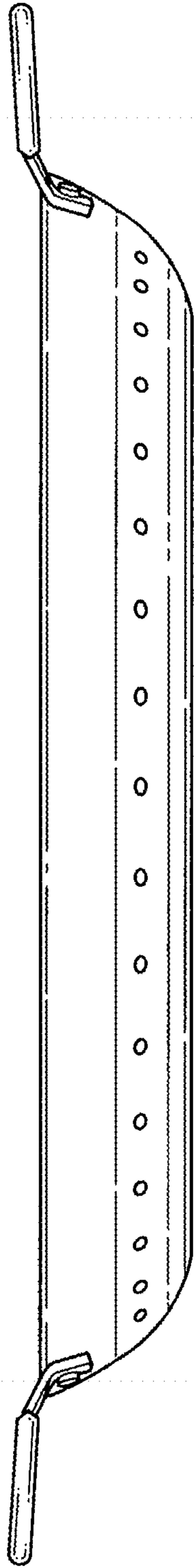


FIG. 6

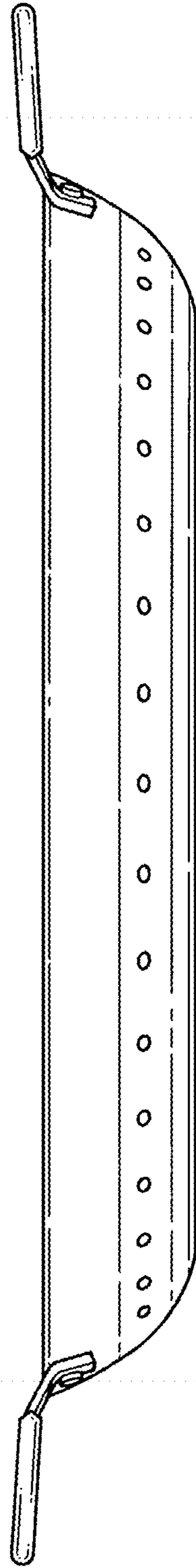


FIG. 7