



US00D896026S

(12) **United States Design Patent**
Chu et al.

(10) **Patent No.:** **US D896,026 S**

(45) **Date of Patent:** **** Sep. 15, 2020**

(54) **DRINKING LID TOP**

(71) Applicants: **Wesley Chu**, North Point (HK); **Angus Yiu**, New Territories (HK)

(72) Inventors: **Wesley Chu**, North Point (HK); **Angus Yiu**, New Territories (HK)

(**) Term: **15 Years**

(21) Appl. No.: **29/682,906**

(22) Filed: **Mar. 8, 2019**

(51) **LOC (12) Cl.** **07-99**

(52) **U.S. Cl.**

USPC **D7/396.2**; D9/439; D9/440

(58) **Field of Classification Search**

USPC D9/434-436, 440, 443, 445, 447-450,
D9/454, 499; D7/392.1, 396.2

CPC B65D 43/02; B65D 43/14; B65D 43/26;
B65D 47/06; B65D 47/32; B65D 51/18

See application file for complete search history.

(56) **References Cited**

U.S. PATENT DOCUMENTS

D286,268 S *	10/1986	Wolff	D9/434
D359,687 S *	6/1995	Arshinoff	D9/447
D503,889 S *	4/2005	Yeung	D9/529
D588,002 S *	3/2009	D'Amato	D9/447
D588,879 S *	3/2009	Brett	D7/698
D712,260 S *	9/2014	Humm	D9/449
D712,261 S *	9/2014	Humm	D9/449
D727,149 S *	4/2015	Humm	D9/449
D810,567 S *	2/2018	Brovar	D9/449
D815,890 S *	4/2018	Boroski	D7/392.1

D835,264 S *	12/2018	Mozzicato	D24/121
D835,778 S *	12/2018	Mozzicato	D24/121
D864,718 S *	10/2019	Gibney	D9/447
2019/0084731 A1 *	3/2019	Chou	B65D 47/0842

OTHER PUBLICATIONS

Klean Kanteen. Straw Lid. 2020. <https://www.kleankanteen.com/products/straw-lid> (Year: 2020).*

Youtube. Klean Kanteen—Drinkware by Klean Kanteen. Aug. 1, 2017. https://www.youtube.com/watch?v=zbdjIMRBn0M&feature=emb_logo (Year: 2017).*

Klean Kanteen. Tumbler Lid. 2019. <https://www.kleankanteen.com/collections/coffee/products/tumbler-lid> (Year: 2019).*

* cited by examiner

Primary Examiner — Darcey E Gottschalk

(74) *Attorney, Agent, or Firm* — Barlow, Josephs & Holmes, Ltd.

(57) **CLAIM**

The ornamental design for a drinking lid top, as shown and described.

DESCRIPTION

FIG. 1 is a top perspective view of the drinking lid top;

FIG. 2 is a bottom perspective view thereof;

FIG. 3 is a top view thereof;

FIG. 4 is a bottom view thereof;

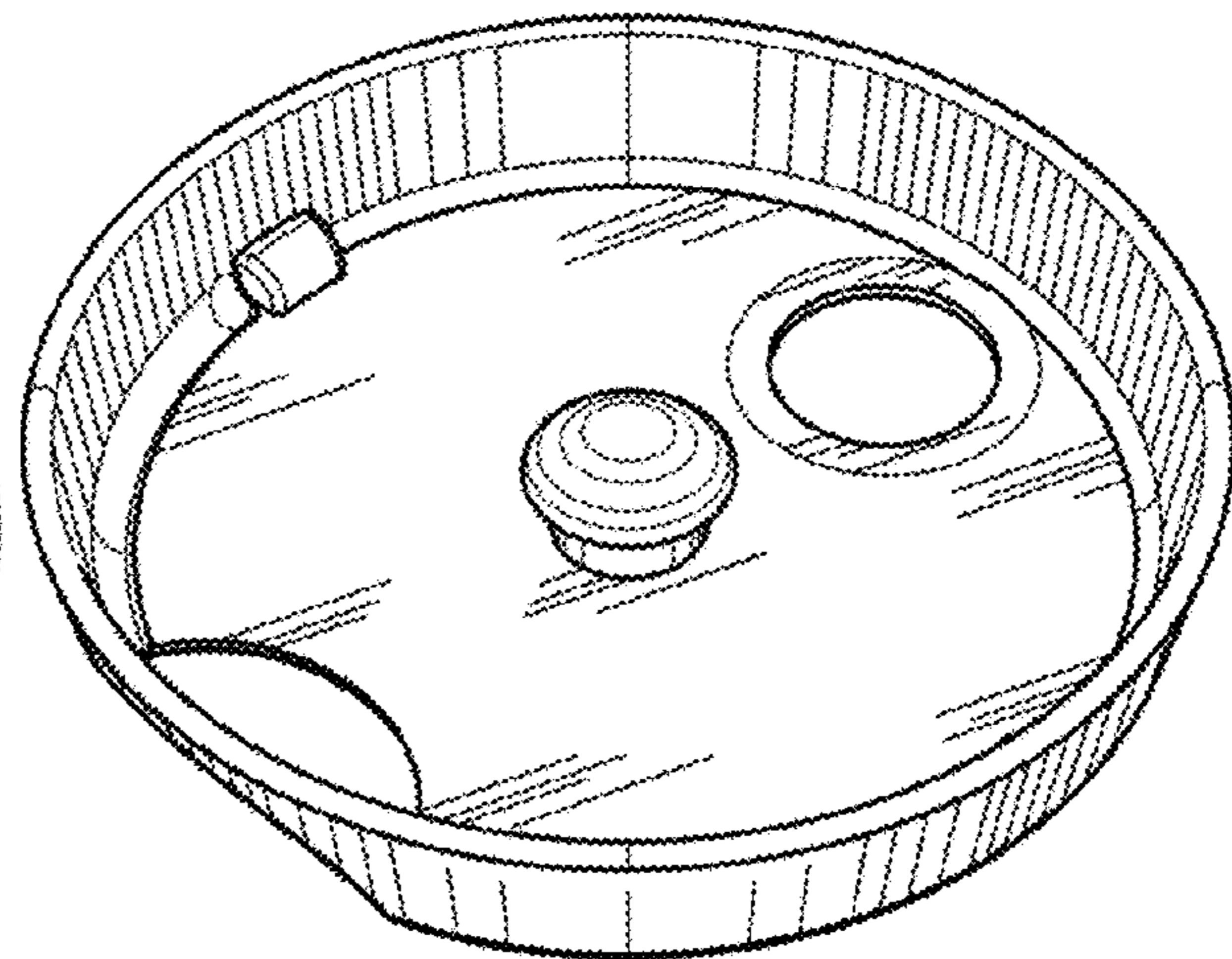
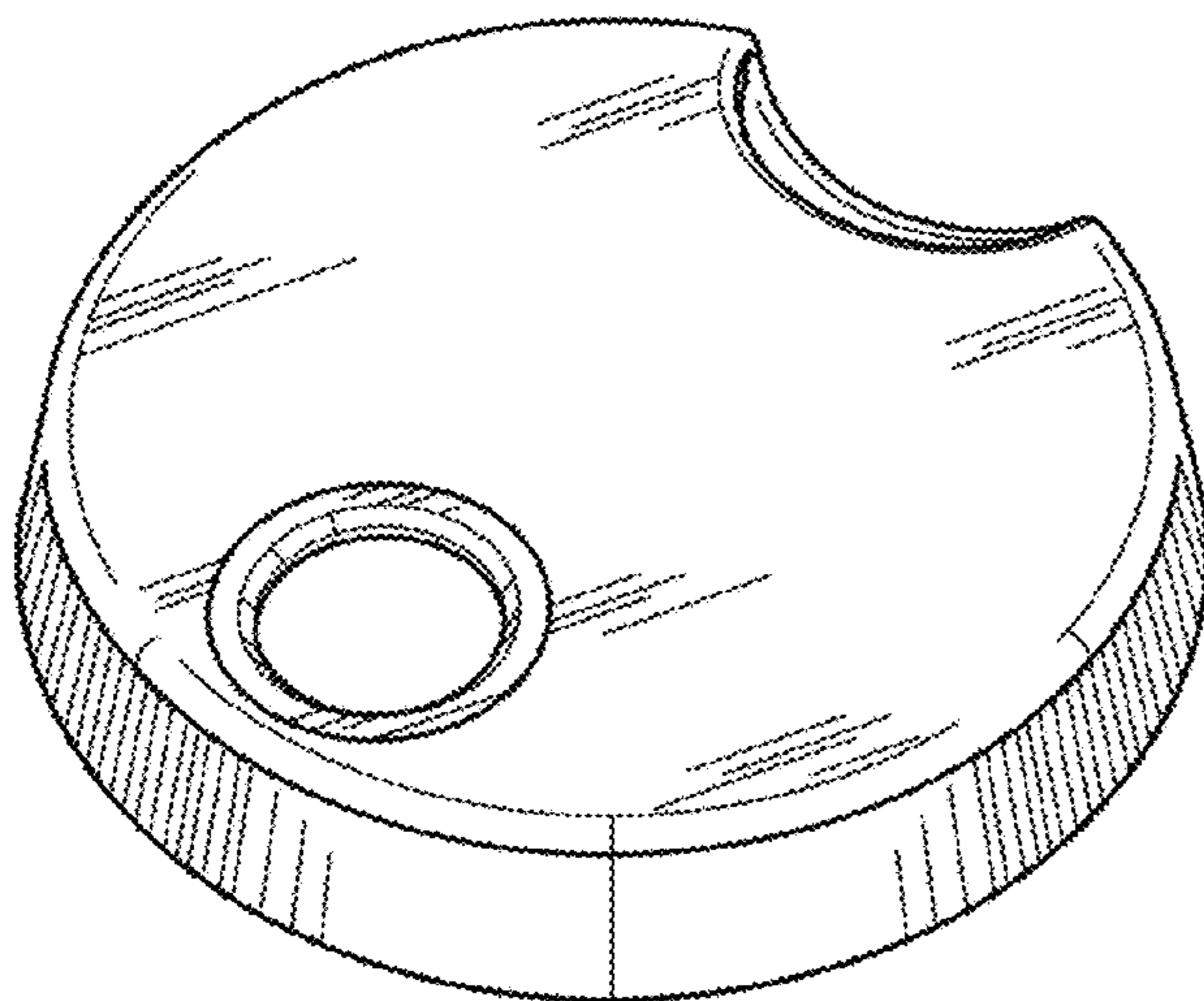
FIG. 5 is a front view thereof;

FIG. 6 is a rear view thereof;

FIG. 7 is a left view thereof; and,

FIG. 8 is a right view thereof.

1 Claim, 3 Drawing Sheets



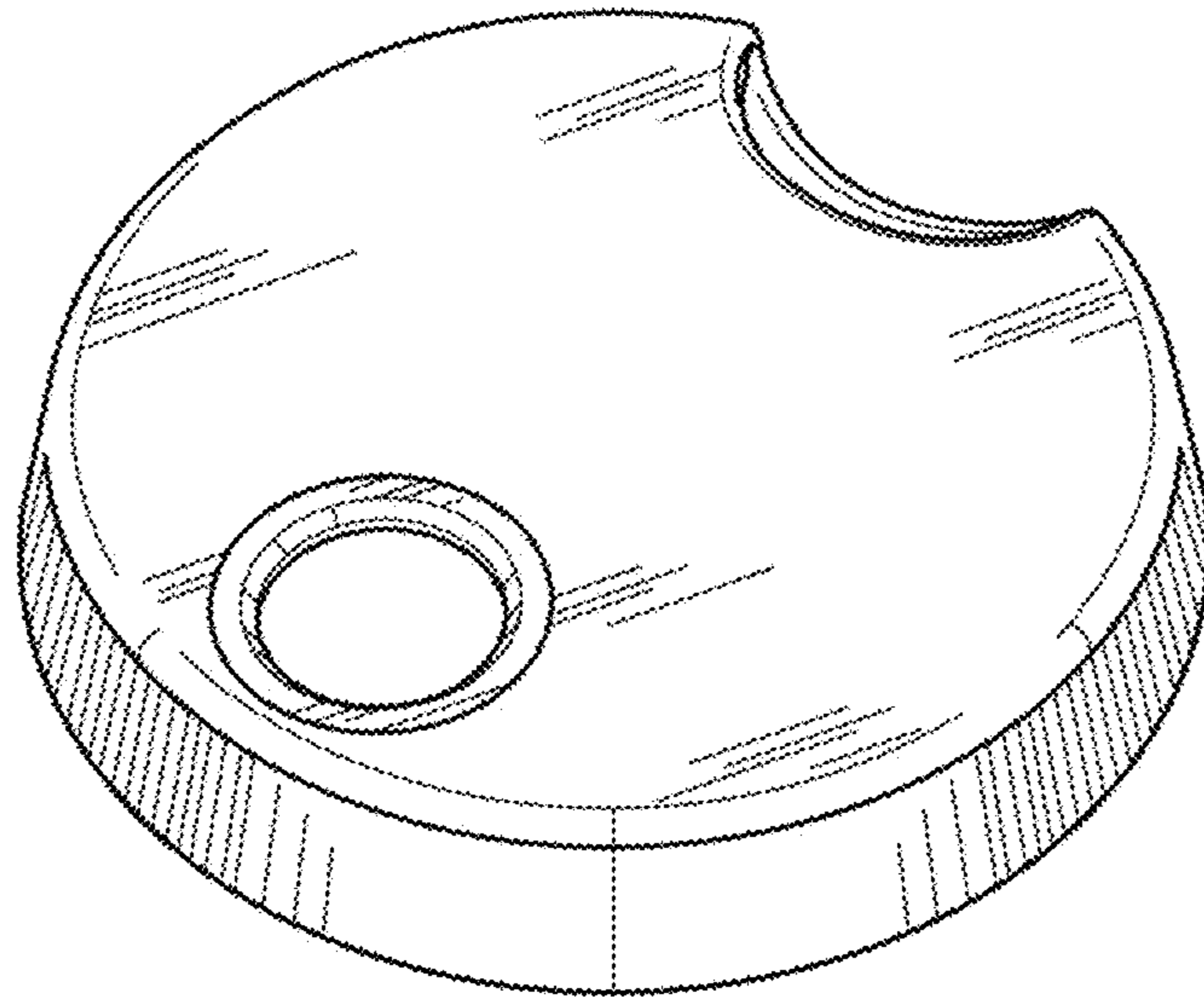


FIG. 1

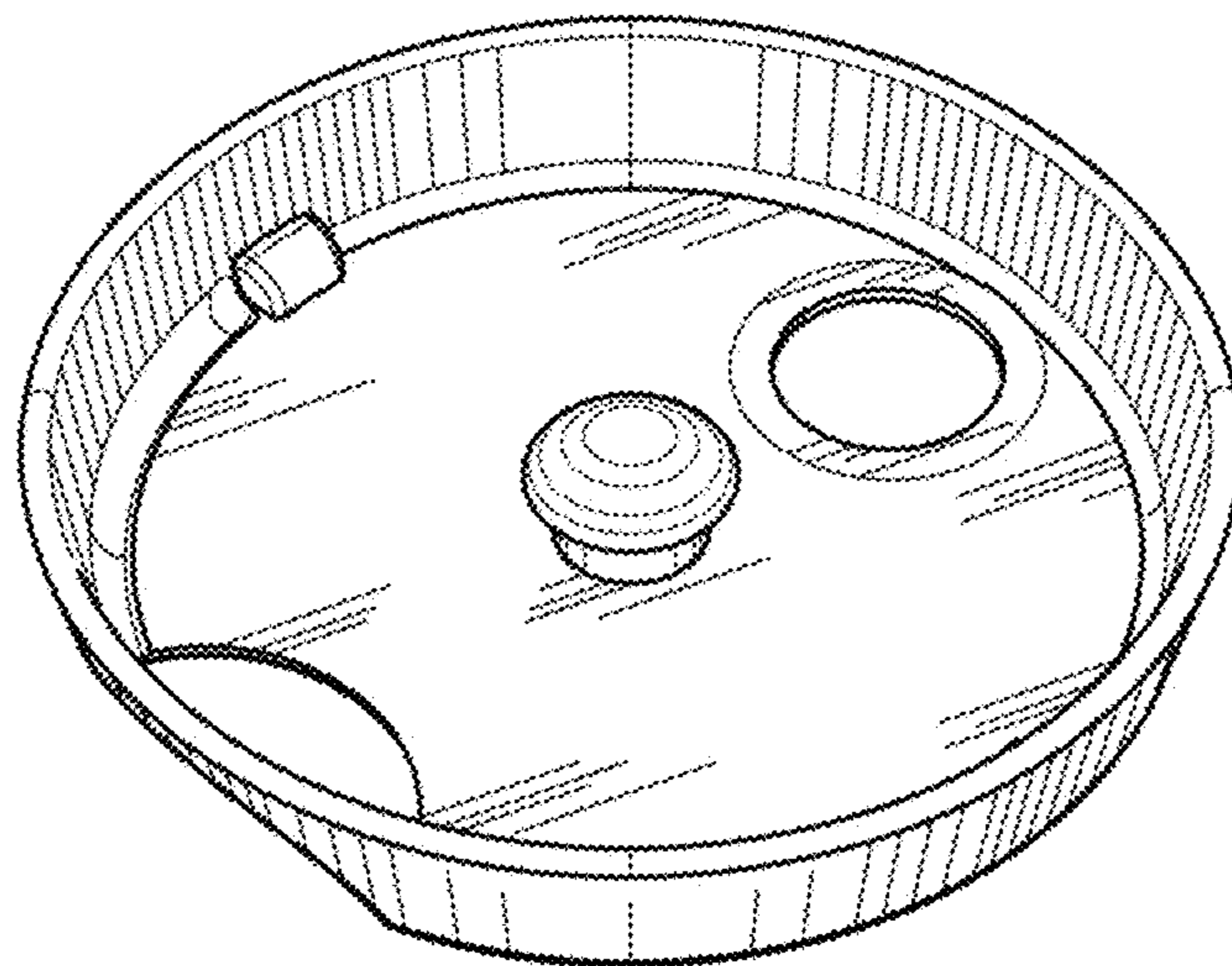


FIG. 2

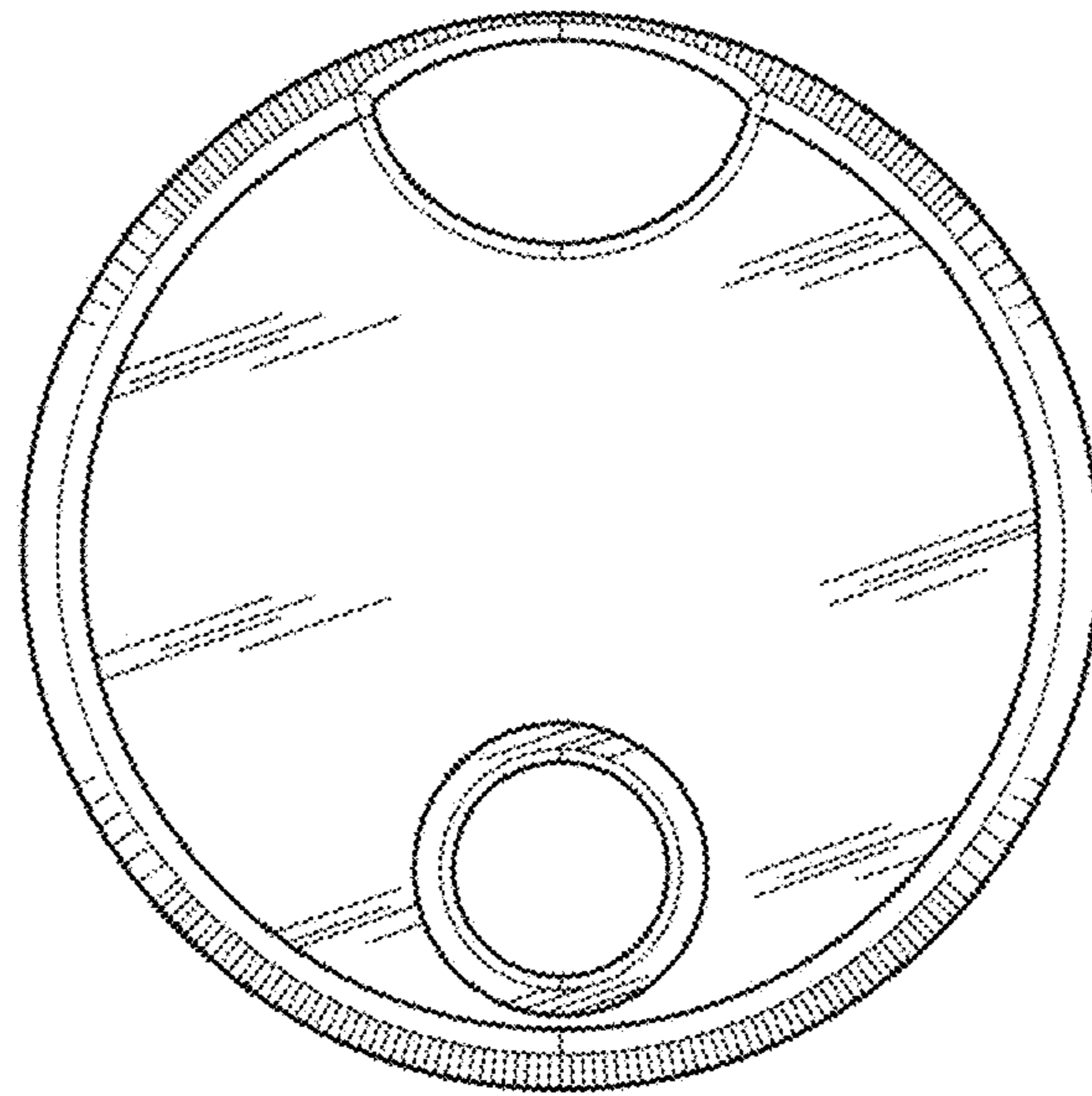


FIG. 3

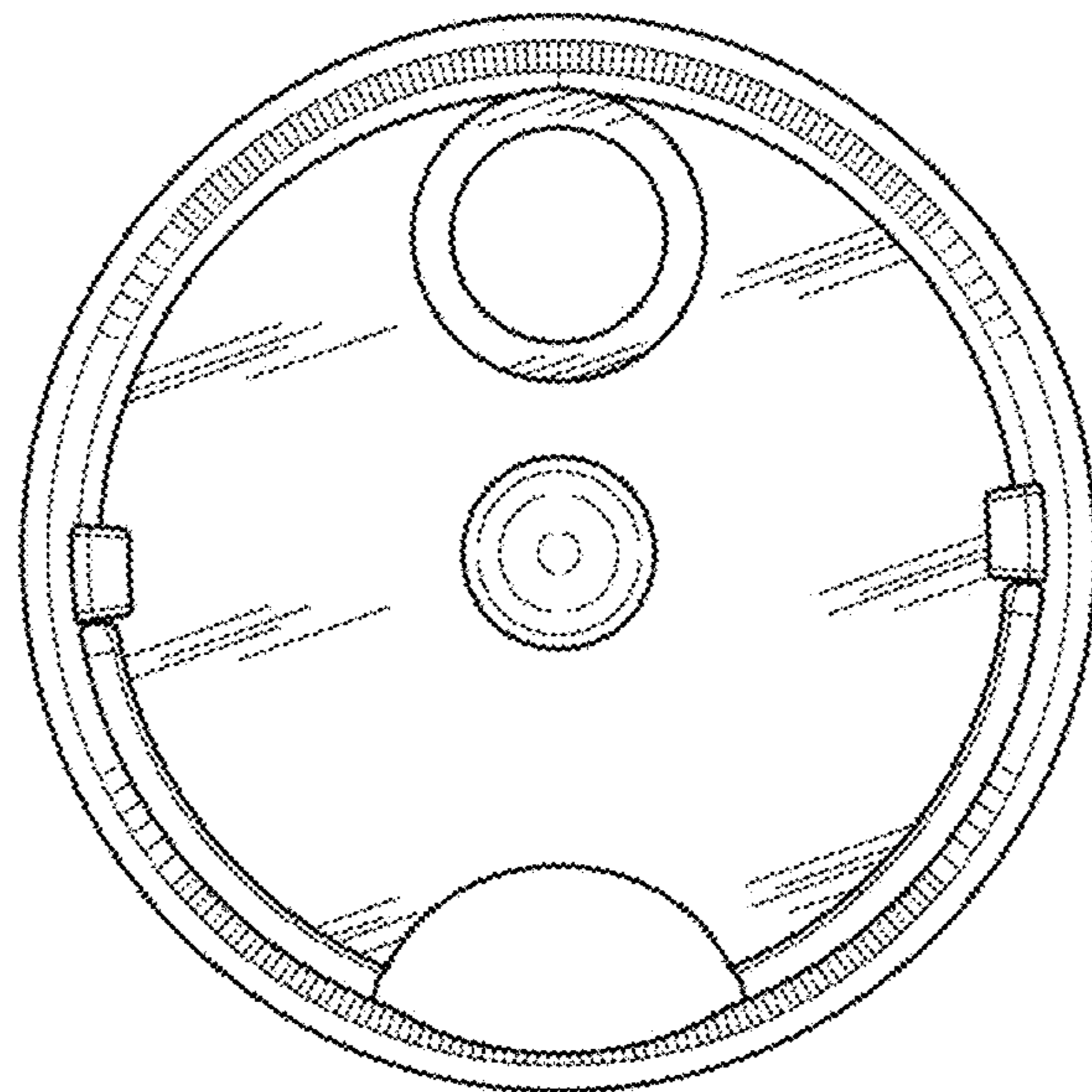


FIG. 4



FIG. 5

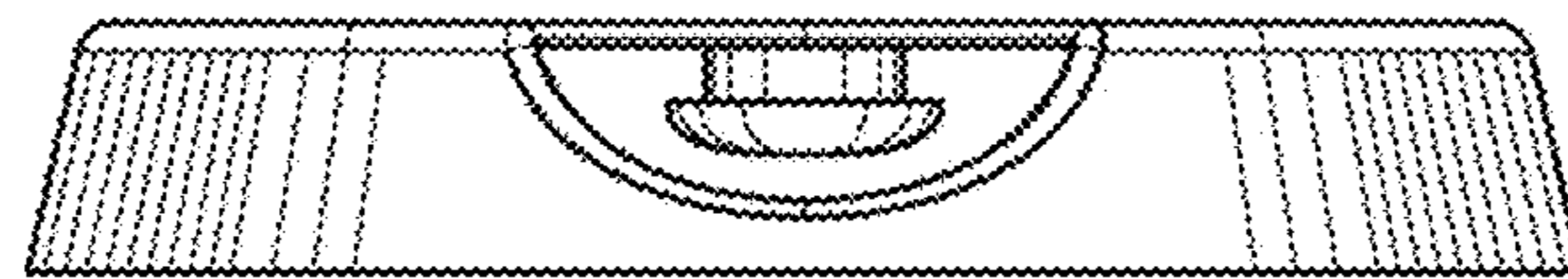


FIG. 6



FIG. 7



FIG. 8