



US00D896025S

(12) **United States Design Patent**
Moulder

(10) **Patent No.:** **US D896,025 S**

(45) **Date of Patent:** **** Sep. 15, 2020**

- (54) **GLASSWARE CAP**
- (71) Applicant: **Jeffery Moulder**, Frisco, TX (US)
- (72) Inventor: **Jeffery Moulder**, Frisco, TX (US)
- (**) Term: **15 Years**
- (21) Appl. No.: **29/667,533**
- (22) Filed: **Oct. 23, 2018**
- (51) **LOC (12) Cl.** **07-01**
- (52) **U.S. Cl.**
USPC **D7/396.2; D7/392.1**
- (58) **Field of Classification Search**
USPC D7/392.1, 396.2, 387, 391, 213, 510,
D7/511, 507, 900, 393, 406, 397, 399;
D9/902, 434, 435, 436, 439, 443, 455,
D9/416, 763, 438; 220/200; D10/40, 41,
D10/42, 52, 128; D15/89
CPC A47G 19/2211; A47G 19/22; A45F 3/16;
B65D 41/56; B65D 43/02; B65D 47/08
See application file for complete search history.

- 5,769,285 A * 6/1998 Upham A01K 9/005
215/11.1
- D407,016 S * 3/1999 Nastasia D9/439
- D442,434 S * 5/2001 Klima D7/510
- D456,142 S * 4/2002 Szeto D4/116
- D471,400 S * 3/2003 Jeter D7/387
- D471,401 S * 3/2003 Jeter D7/387
- D530,150 S * 10/2006 Eddy D7/396.6
- D617,508 S * 6/2010 Terwilleger D30/121
- D631,694 S * 2/2011 Baratte D7/396.2
- D683,182 S * 5/2013 de Klein D7/397
- D686,878 S * 7/2013 Grasselli D7/397
- 8,579,138 B2 * 11/2013 Jamison A47G 19/2222
215/228
- D720,571 S * 1/2015 Deters D7/354
- D754,469 S * 4/2016 Deters D7/354
- D754,470 S * 4/2016 Rothfield D7/392.1
- D787,263 S * 5/2017 Baron D7/391
- D811,811 S * 3/2018 Wachter D7/392.1
- 10,072,418 B2 * 9/2018 Mathieson E04D 7/005
- D836,972 S * 1/2019 Baron D7/391

(Continued)

OTHER PUBLICATIONS

https://www.amazon.com/dp/B00ZPN3O21/ref=psdc_289753_t5_B01NBG7Q1Q (Year: 2015).*

Primary Examiner — Jae Liang

(56) **References Cited**

U.S. PATENT DOCUMENTS

- D154,503 S * 7/1949 Morris D9/439
- 2,821,904 A * 2/1958 Arcabosso A47J 37/106
99/346
- D219,611 S * 12/1970 Swett D7/391
- D249,624 S * 9/1978 Solomon D7/391
- 4,574,972 A * 3/1986 Saha F02M 37/22
210/136
- 4,938,375 A * 7/1990 Fantacone A47G 19/2211
210/464
- D328,356 S * 7/1992 Wokeck D1/116
- 5,301,602 A * 4/1994 Ryczek A47J 43/18
99/345
- D347,143 S * 5/1994 Awyong D7/354
- D388,327 S * 12/1997 Radosevich D9/435
- D391,036 S * 2/1998 Sotile D1/105

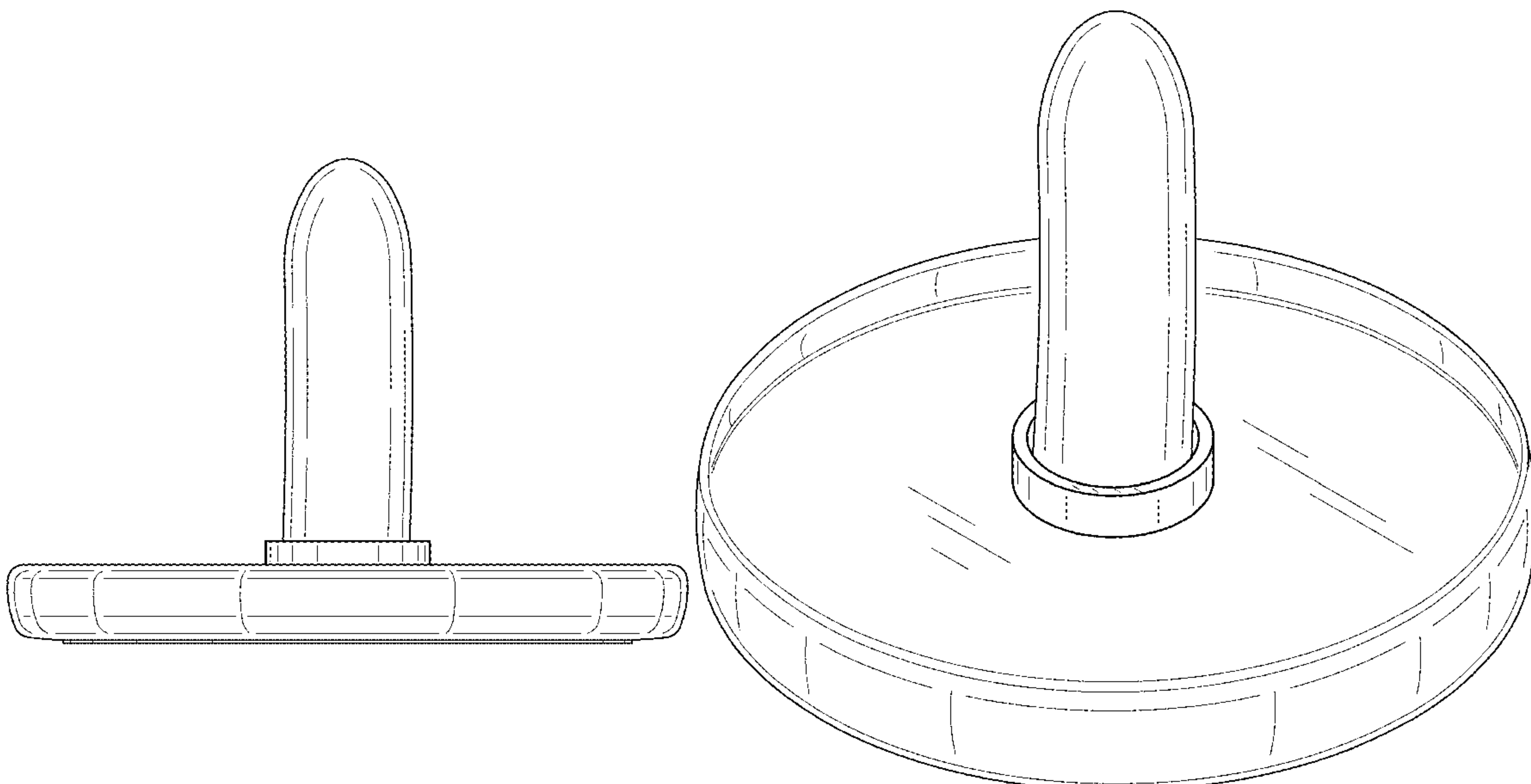
(57) **CLAIM**

I claim the ornamental design for a glassware cap, as shown and described.

DESCRIPTION

FIG. 1 is a front view of a glassware cap.
FIG. 2 is a top view of the claimed design.
FIG. 3 is a bottom view of the claimed design.
FIG. 4 is a top perspective view of the claimed design; and,
FIG. 5 is a bottom perspective view of the claimed design.

1 Claim, 5 Drawing Sheets



(56)

References Cited

U.S. PATENT DOCUMENTS

D839,666 S * 2/2019 Bradshaw D7/396.2
D859,068 S * 9/2019 Yueh D7/396.6
D866,248 S * 11/2019 Baron D7/391
2012/0325835 A1 * 12/2012 Merino A47G 19/2211
220/705
2016/0045047 A1 * 2/2016 Healy A47G 19/2288
220/592.16
2018/0162611 A1 * 6/2018 Li B65D 53/02
2018/0319540 A1 * 11/2018 Foster B65D 1/0284
2019/0008105 A1 * 1/2019 Bacher B65D 51/24
2019/0351376 A1 * 11/2019 Yueh B65D 85/73

* cited by examiner

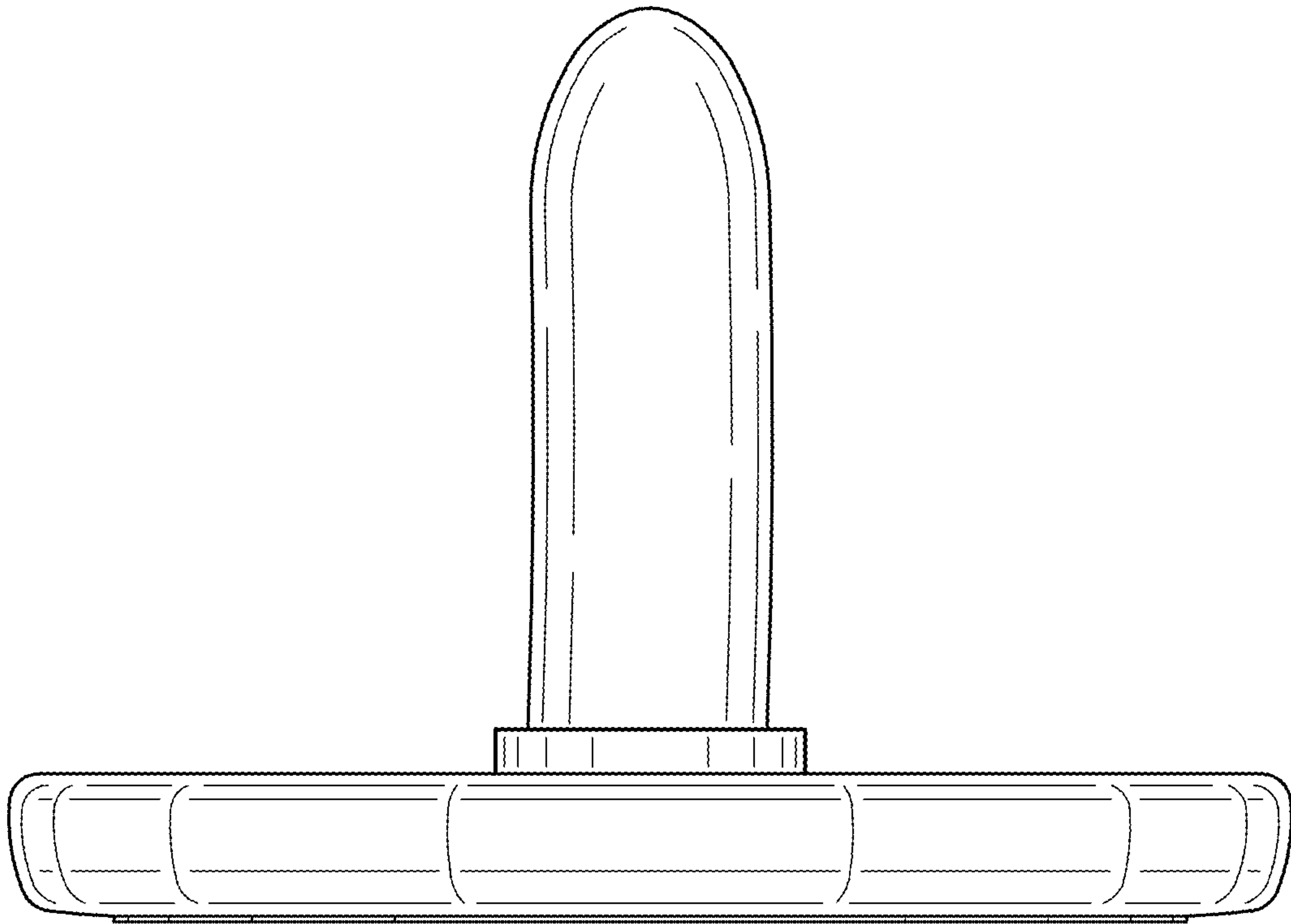


FIG. 1

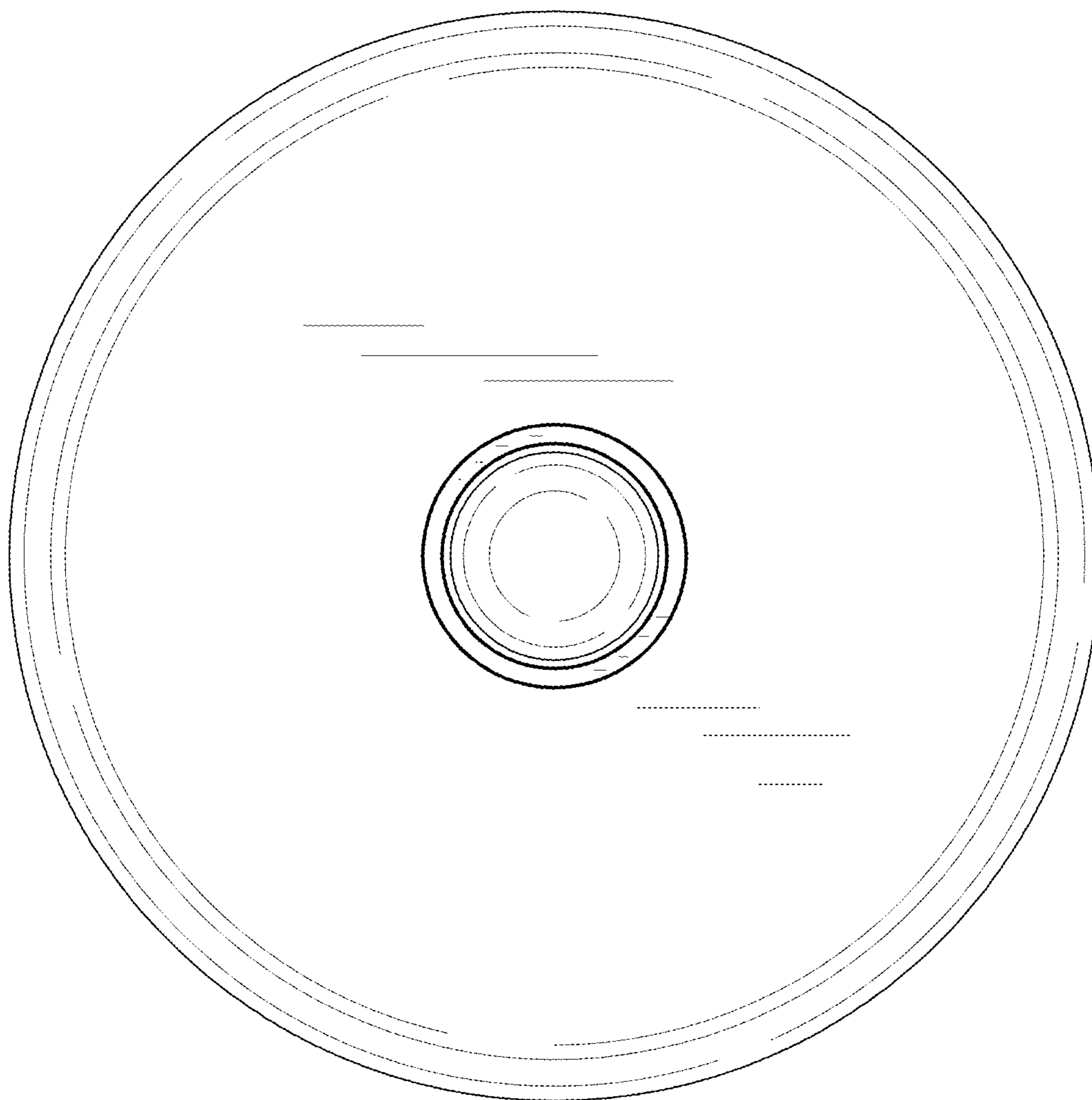


FIG. 2

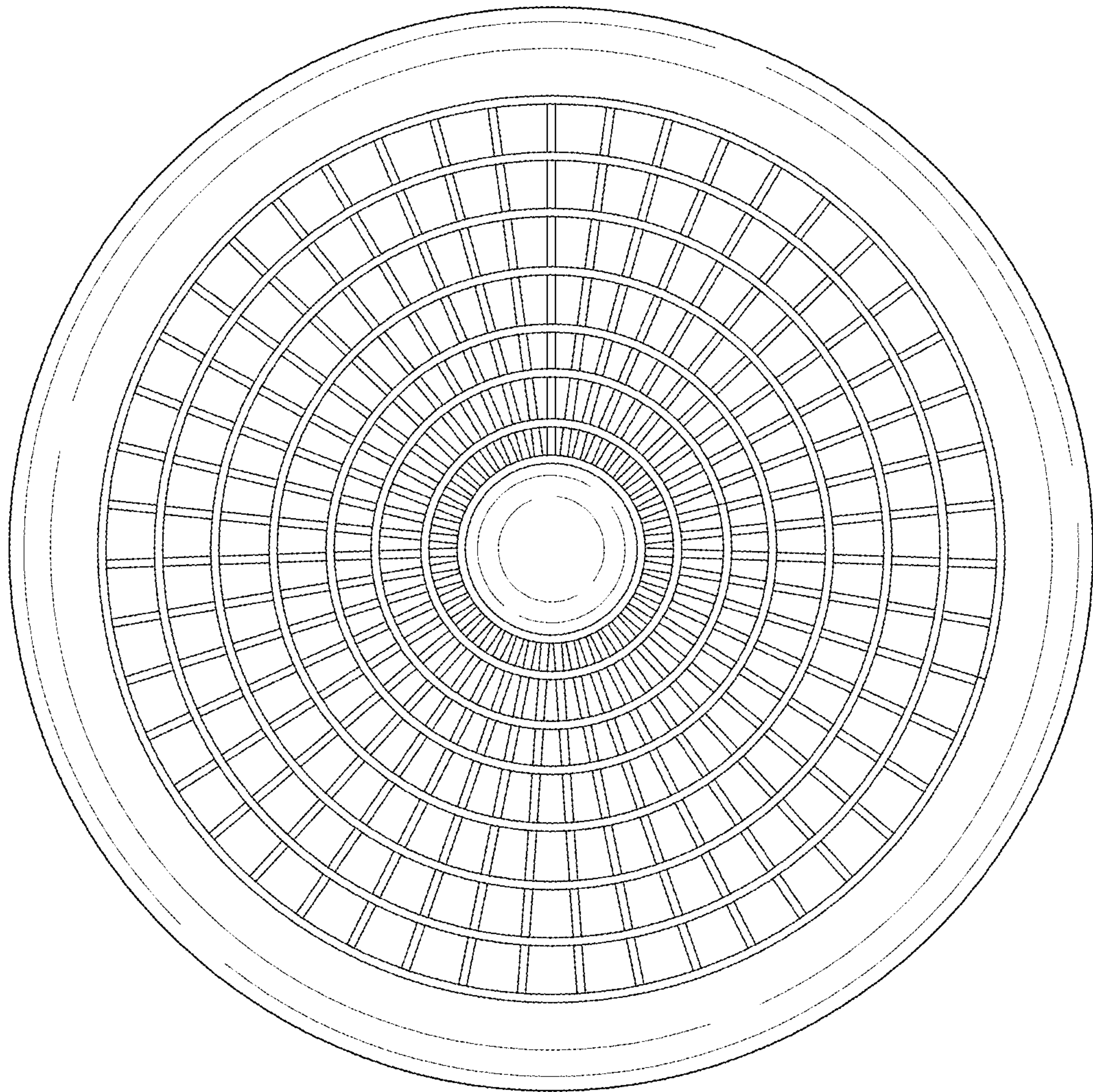


FIG. 3

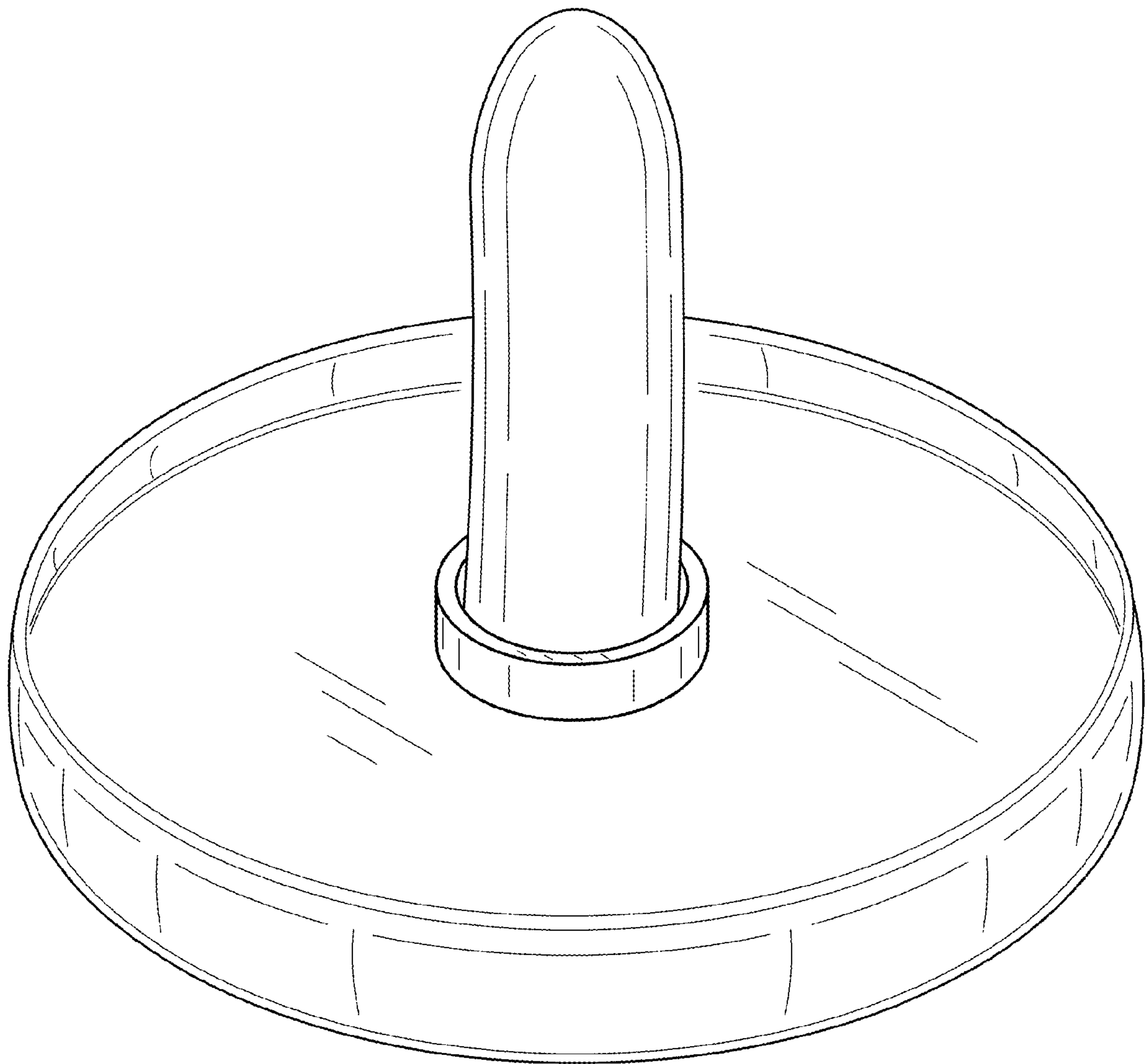


FIG. 4

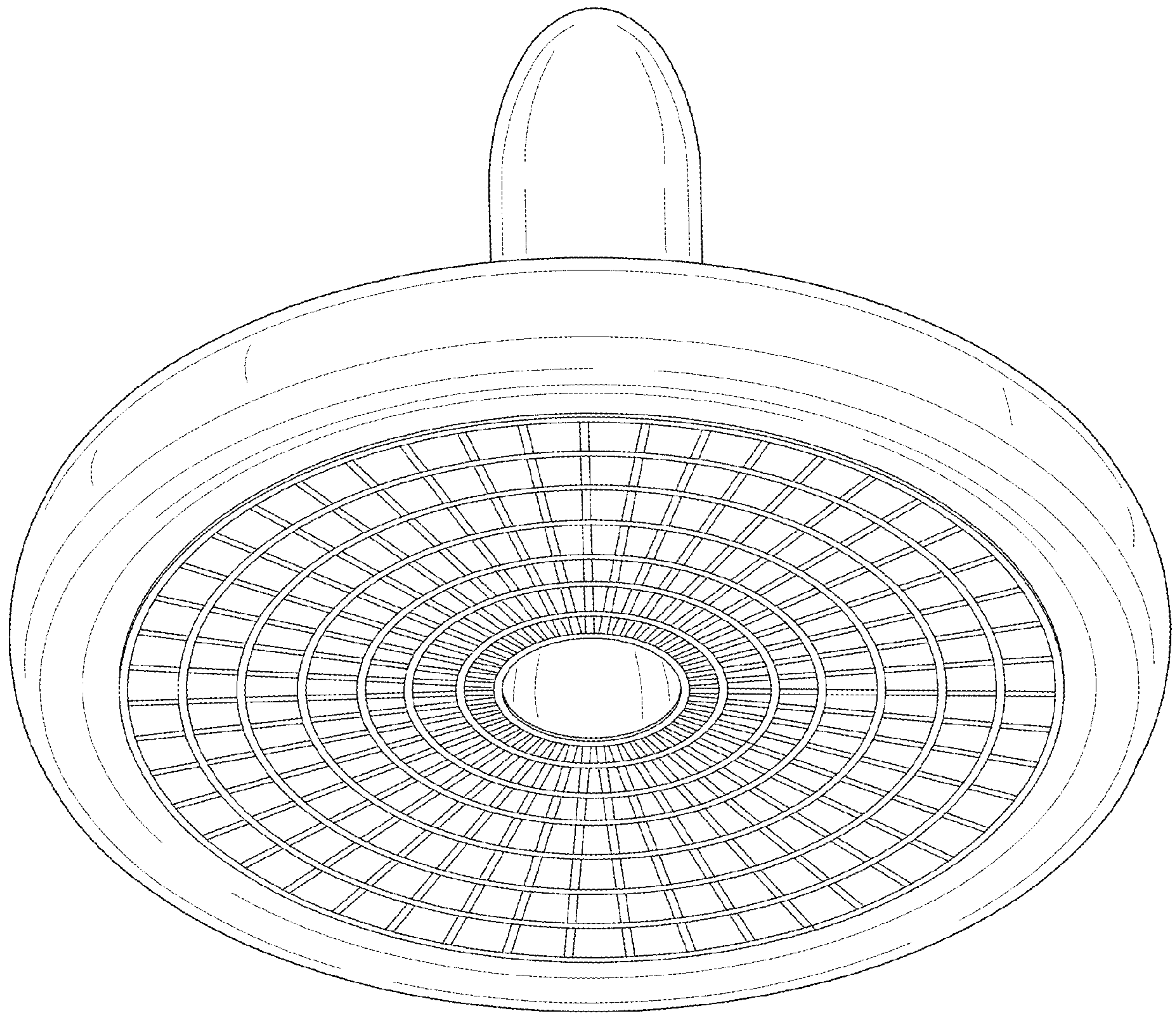


FIG. 5