

US00D896024S

(12) **United States Design Patent**
Wang et al.

(10) **Patent No.:** **US D896,024 S**

(45) **Date of Patent:** **** Sep. 15, 2020**

(54) **WATER BOTTLE LID**

(71) Applicant: **SHEN ZHEN QUICK FIT PLASTIC CO., LTD.**, Shenzhen (CN)

(72) Inventors: **Qi Wang**, Shenzhen (CN); **Hui Kang**, Shenzhen (CN)

(**) Term: **15 Years**

(21) Appl. No.: **29/731,840**

(22) Filed: **Apr. 17, 2020**

(30) **Foreign Application Priority Data**

Mar. 26, 2020 (CN) 2020 3 01081268

(51) **LOC (12) Cl.** **07-99**

(52) **U.S. Cl.**
USPC **D7/392.1; D7/396.2; D9/443; D9/449**

(58) **Field of Classification Search**
USPC D9/434, 435, 438-441, 443-454, 499, D9/503-505, 682, 685, 686; D7/300.1, D7/387, 391, 392, 392.1, 393, 394, 396.1, D7/396.2, 506, 507, 510, 511, 533, 534, D7/900; D3/202, 203.2, 294, 318; D28/91, 91.1

CPC .. A61J 1/00; A61J 1/1412; B65D 1/00; B65D 1/02; B65D 1/10; B65D 1/46; B65D 5/46; B65D 41/00; B65D 41/38; B65D 41/56; B65D 41/62; B65D 47/00; B65D 47/06; B65D 47/08; B65D 2251/00; B65D 2543/00046; B65D 2543/00092; B65D 2543/00296

See application file for complete search history.

(56) **References Cited**

U.S. PATENT DOCUMENTS

D165,653 S * 1/1952 Johnson D9/443
D533,061 S * 12/2006 Li D9/449
D534,801 S 1/2007 McMurrey et al.

D679,541 S * 4/2013 Samartgis D7/392.1
D710,653 S * 8/2014 Goto D7/608
D748,943 S * 2/2016 Miller D7/392.1
D756,702 S * 5/2016 Joseph D7/396.2
D758,790 S * 6/2016 Boroski D7/392.1
D770,222 S * 11/2016 Boroski D7/392.1
D780,578 S * 3/2017 Lane D9/447
D795,011 S * 8/2017 Pisarevsky D7/507
D801,111 S * 10/2017 Eyal D7/392.1
D804,904 S * 12/2017 Noveletsky D7/510
D817,084 S * 5/2018 Hammer D7/392.1
D817,088 S 5/2018 Shirley

(Continued)

Primary Examiner — Wendy L Arminio

(74) *Attorney, Agent, or Firm* — Erson IP (Nelson IP)

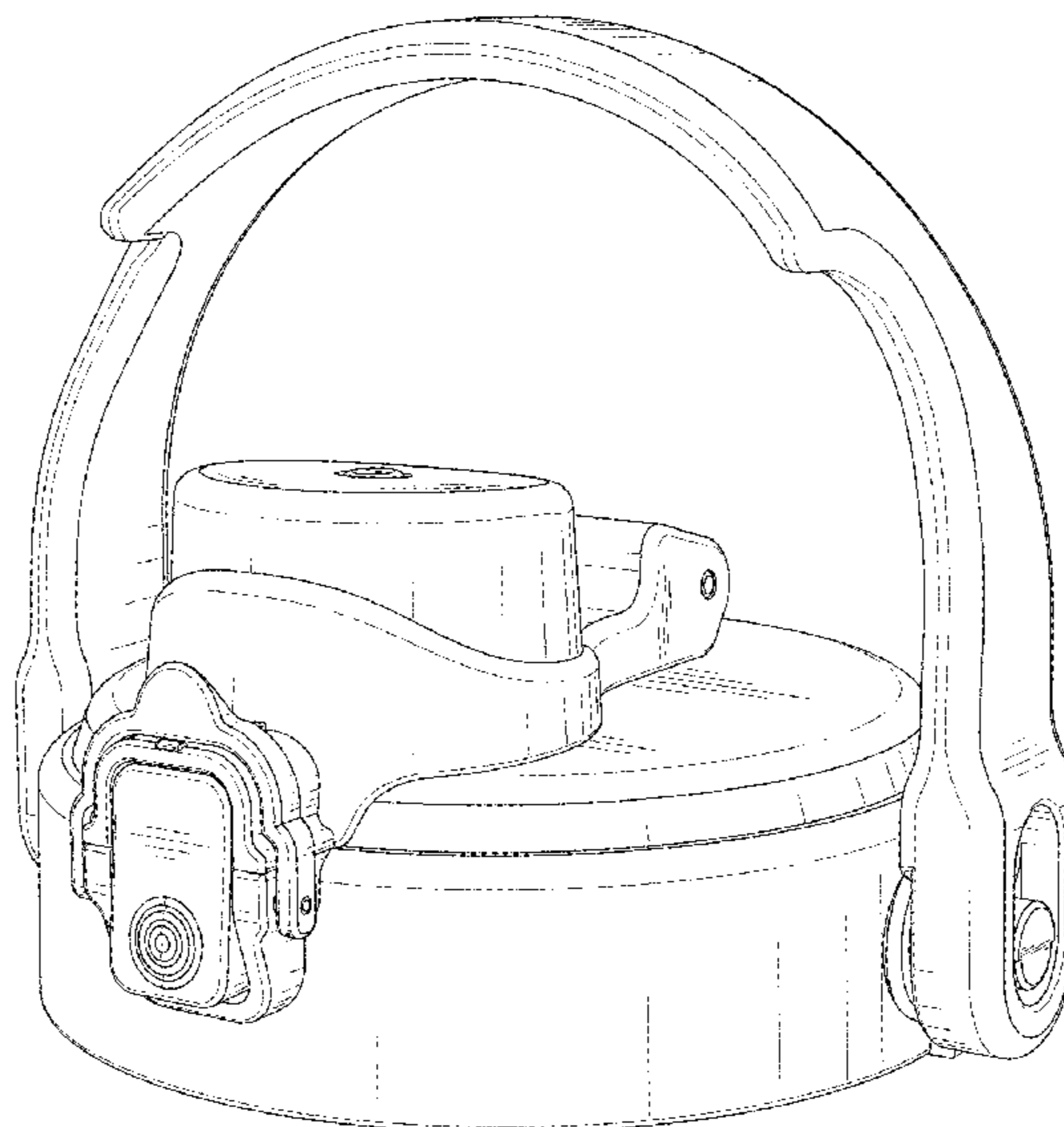
(57) **CLAIM**

The ornamental design for a water bottle lid, as shown and described.

DESCRIPTION

FIG. 1 is a top and front perspective view of a water bottle lid showing our new design in a closed state;
FIG. 2 is a bottom and rear perspective view thereof;
FIG. 3 is a top, front, and right side perspective view thereof, showing the design in an open state and with the handle feature in an alternative configuration;
FIG. 4 is a right side view thereof, showing the design in the open state and the handle feature in an alternative configuration;
FIG. 5 is a front view of the design of FIG. 1, showing the design in the closed state;
FIG. 6 is a rear view thereof;
FIG. 7 is a right side view thereof;
FIG. 8 is a left side view thereof;
FIG. 9 is a top plan view thereof; and,
FIG. 10 is a bottom plan view thereof.
The broken lines are for the purposes of illustrating portions of the water bottle lid that form no part of the claimed design.

1 Claim, 10 Drawing Sheets



(56)

References Cited

U.S. PATENT DOCUMENTS

D820,635	S	*	6/2018	Hammer	D7/392.1
D824,721	S	*	8/2018	Hu	D7/392.1
D839,044	S	*	1/2019	Potter	D7/392.1
D843,778	S	*	3/2019	Yao	D7/392.1
D848,787	S	*	5/2019	Tatsukawa	D7/392.1
D853,181	S	*	7/2019	Stanton	D7/392.1
D853,784	S	*	7/2019	Wu	D7/392.1
D858,181	S	*	9/2019	Lown	D9/443
D865,441	S	*	11/2019	Lowette	D7/392
D867,811	S	*	11/2019	Lane	D7/392.1
D869,230	S	*	12/2019	Hao	D9/449
D870,509	S	*	12/2019	Bo	D9/443
D881,642	S	*	4/2020	Zhang	D7/392.1

* cited by examiner

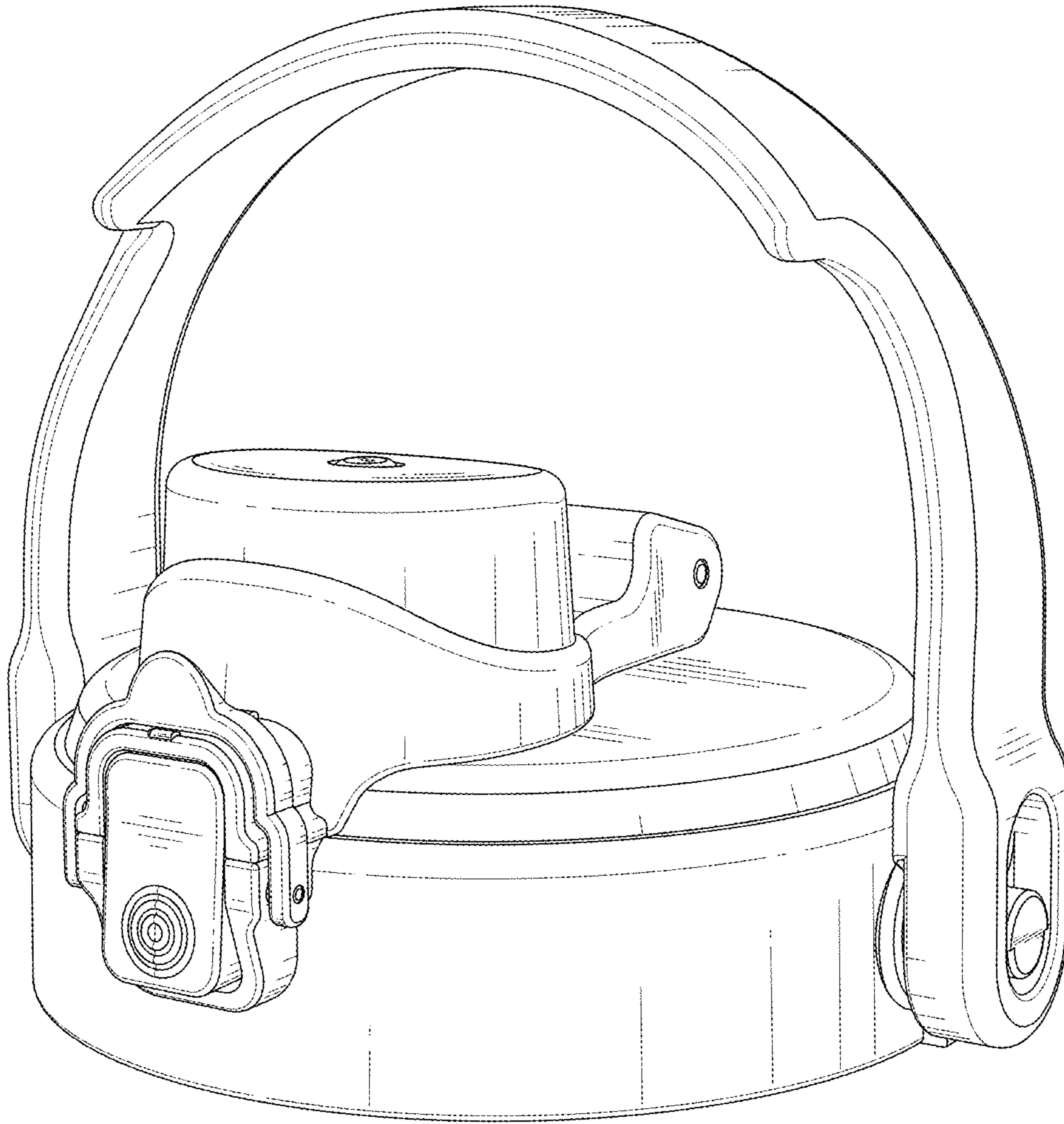


FIG. 1

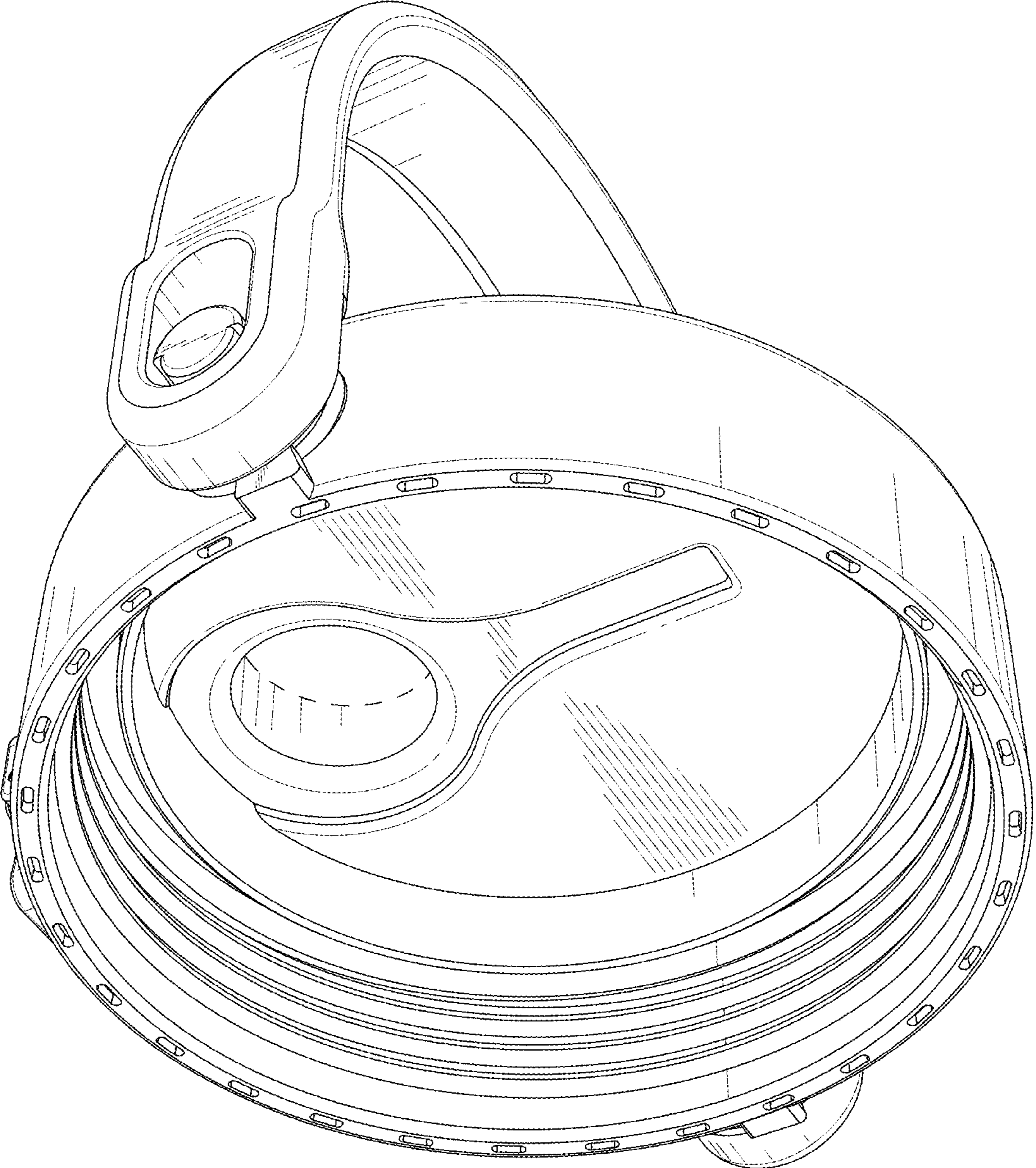


FIG. 2

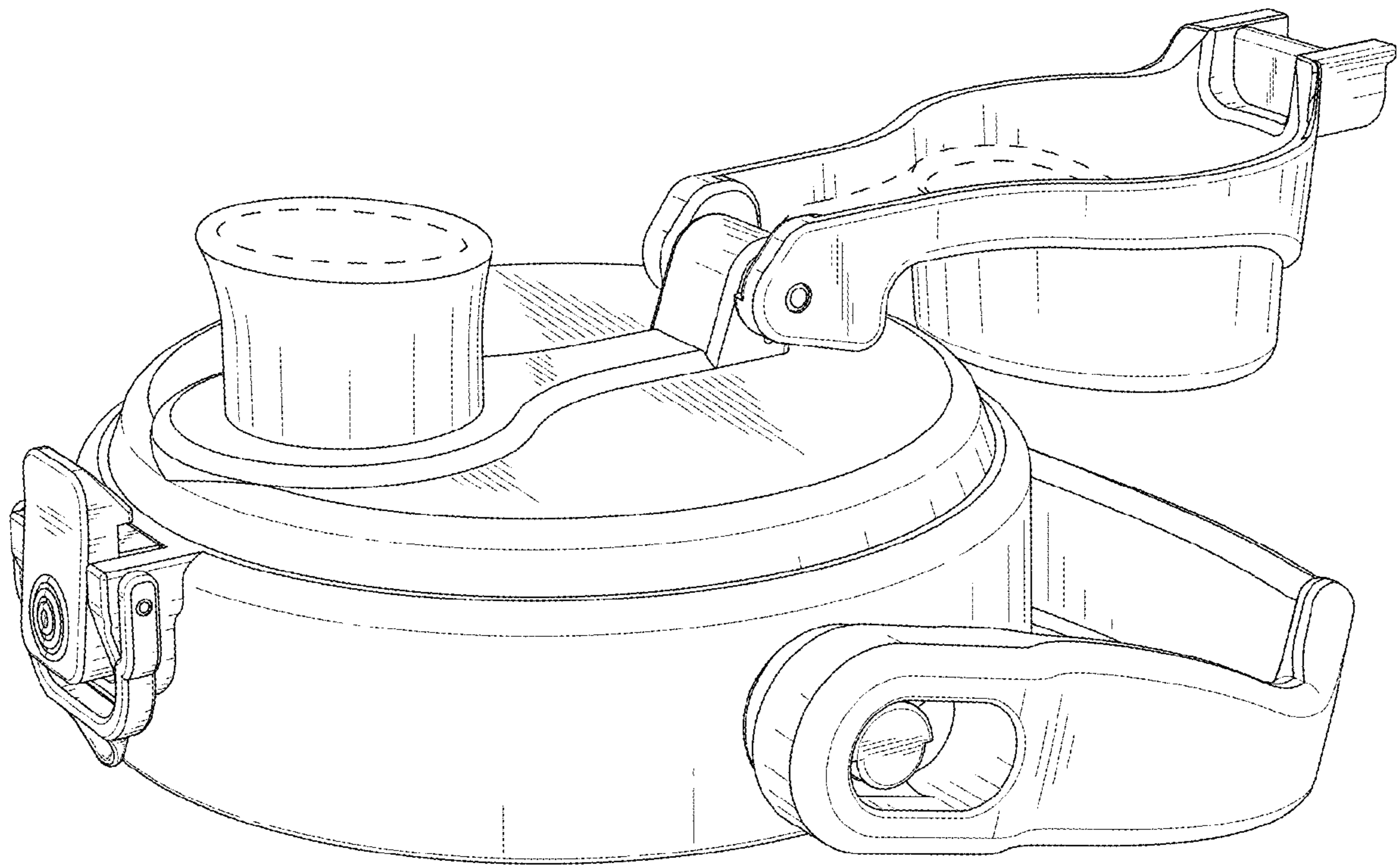


FIG. 3

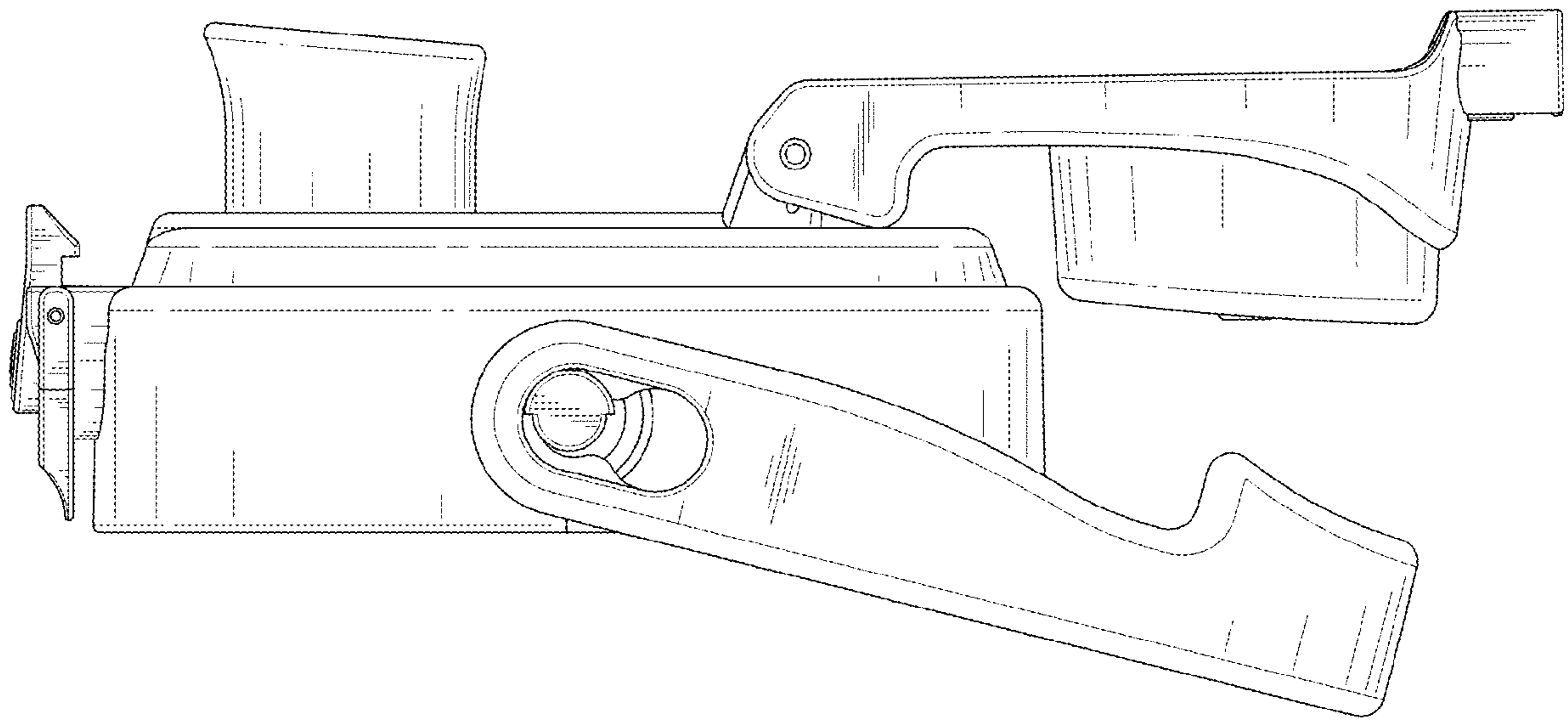


FIG. 4

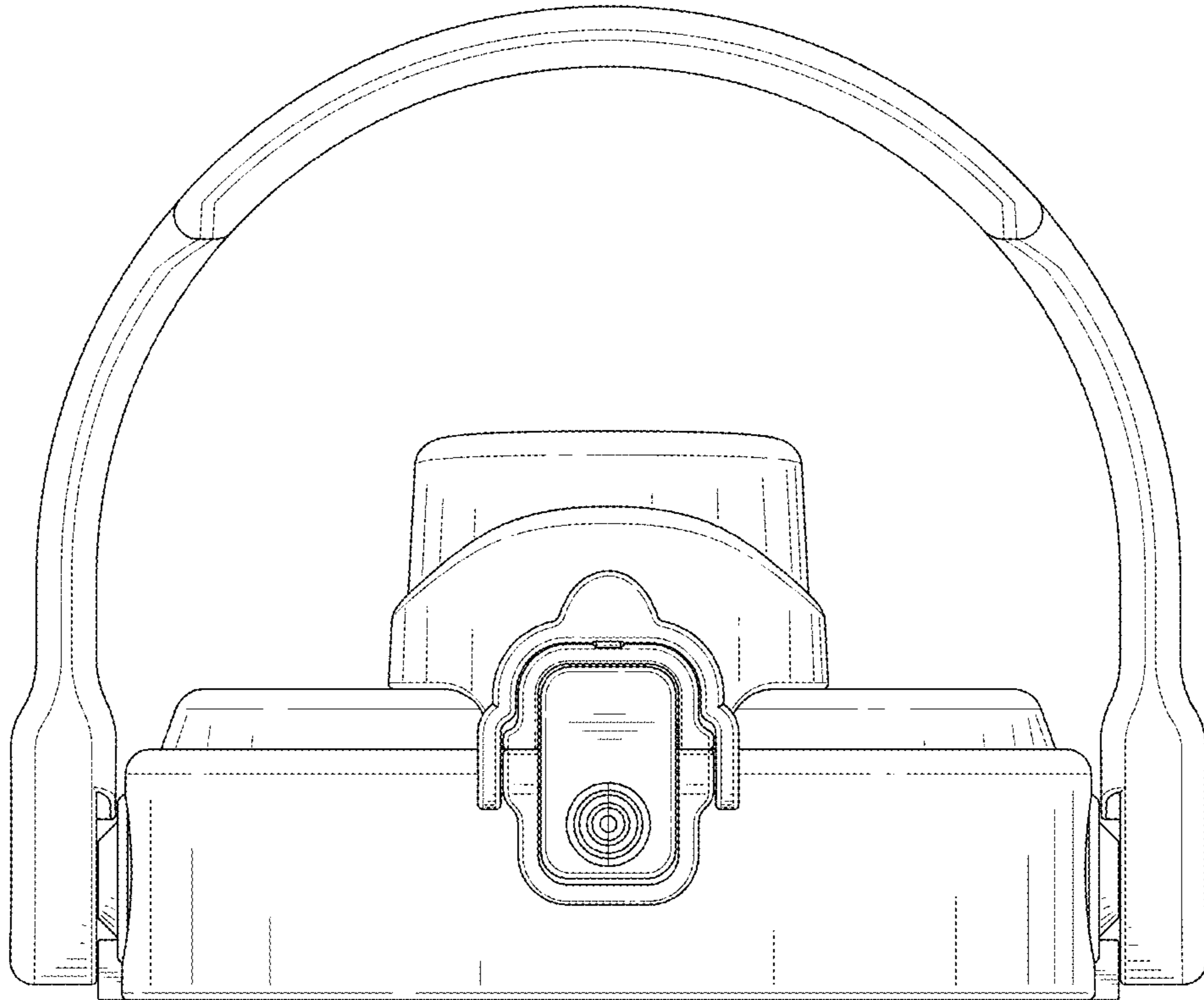


FIG. 5

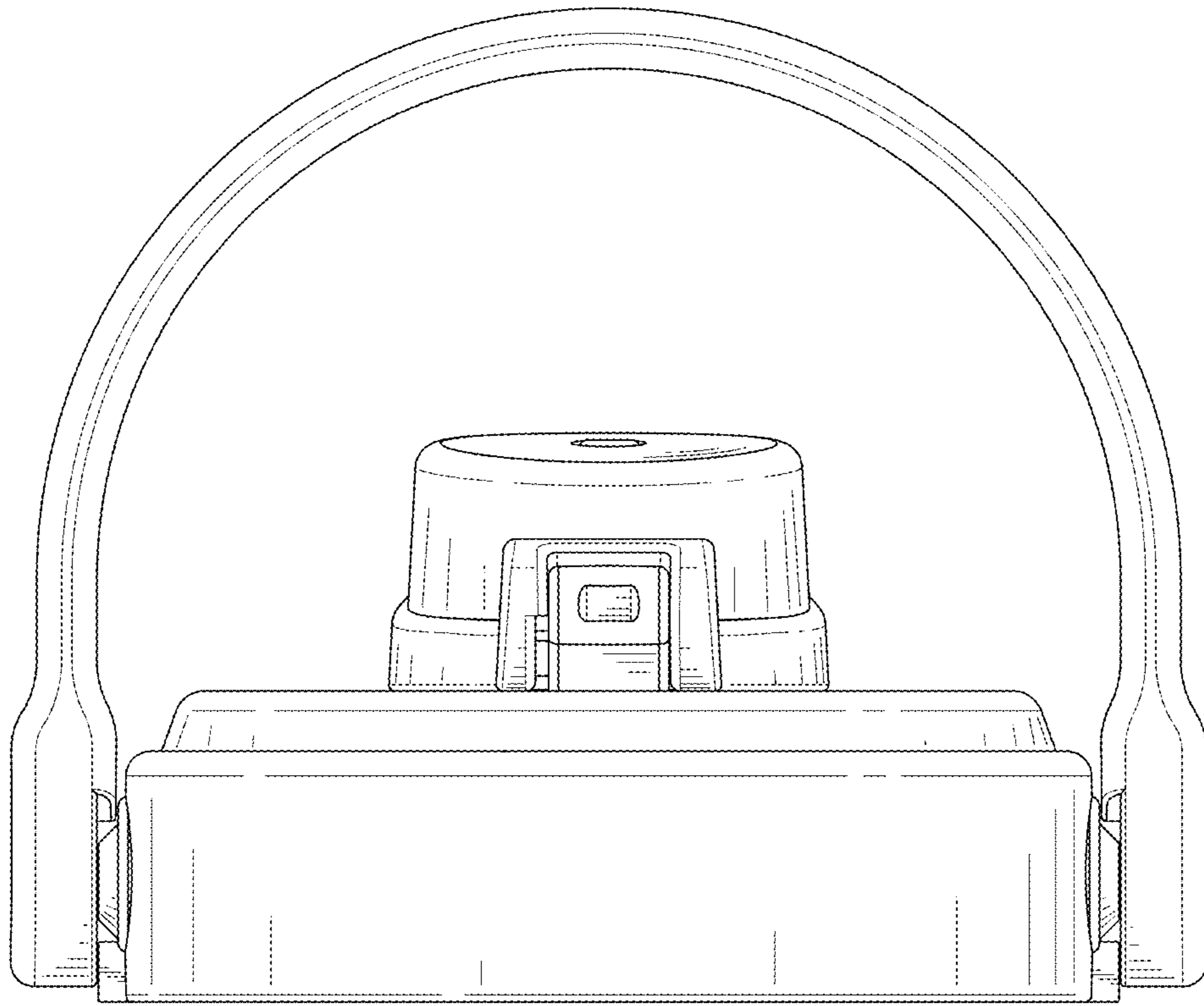


FIG. 6

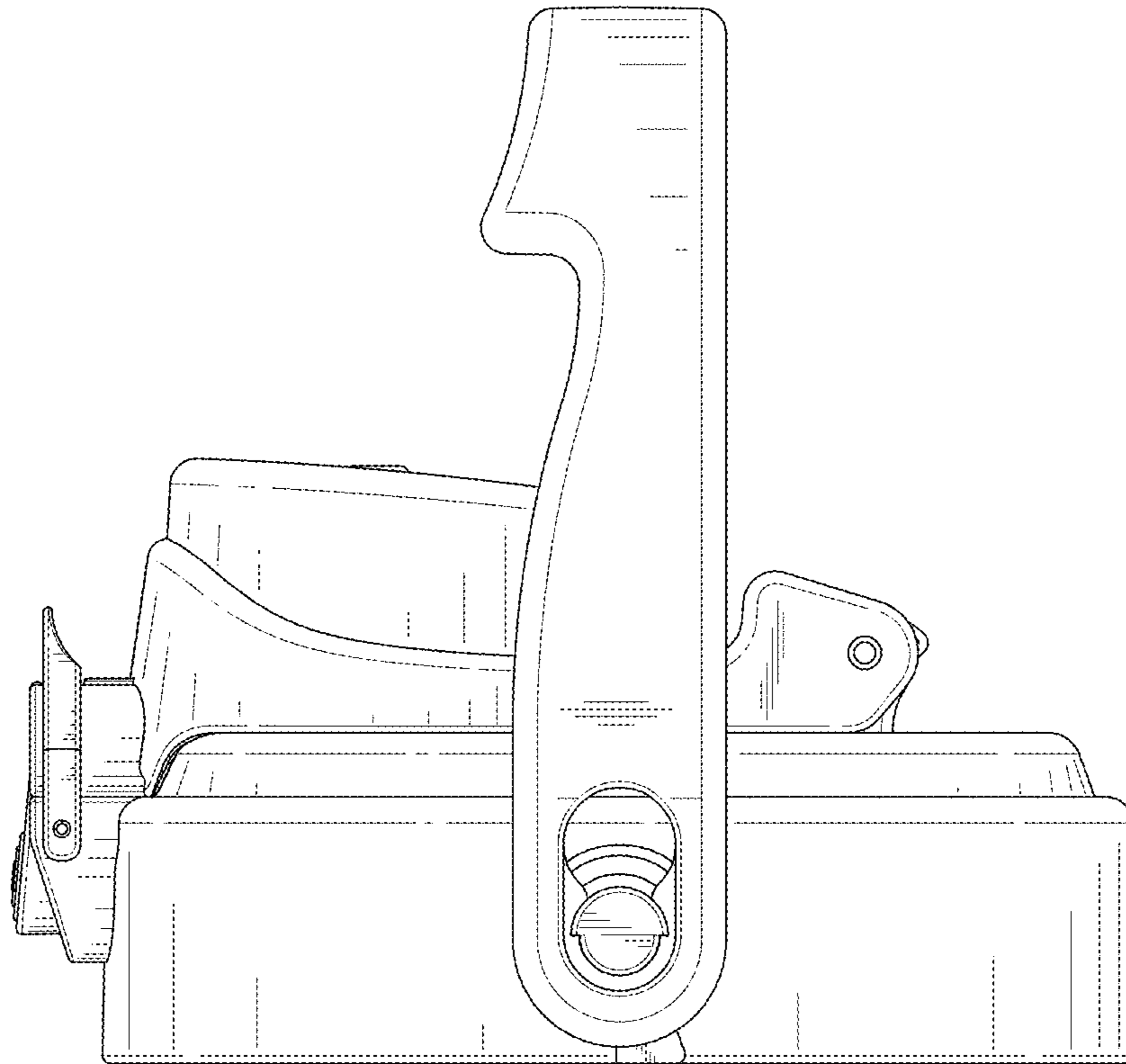


FIG. 7

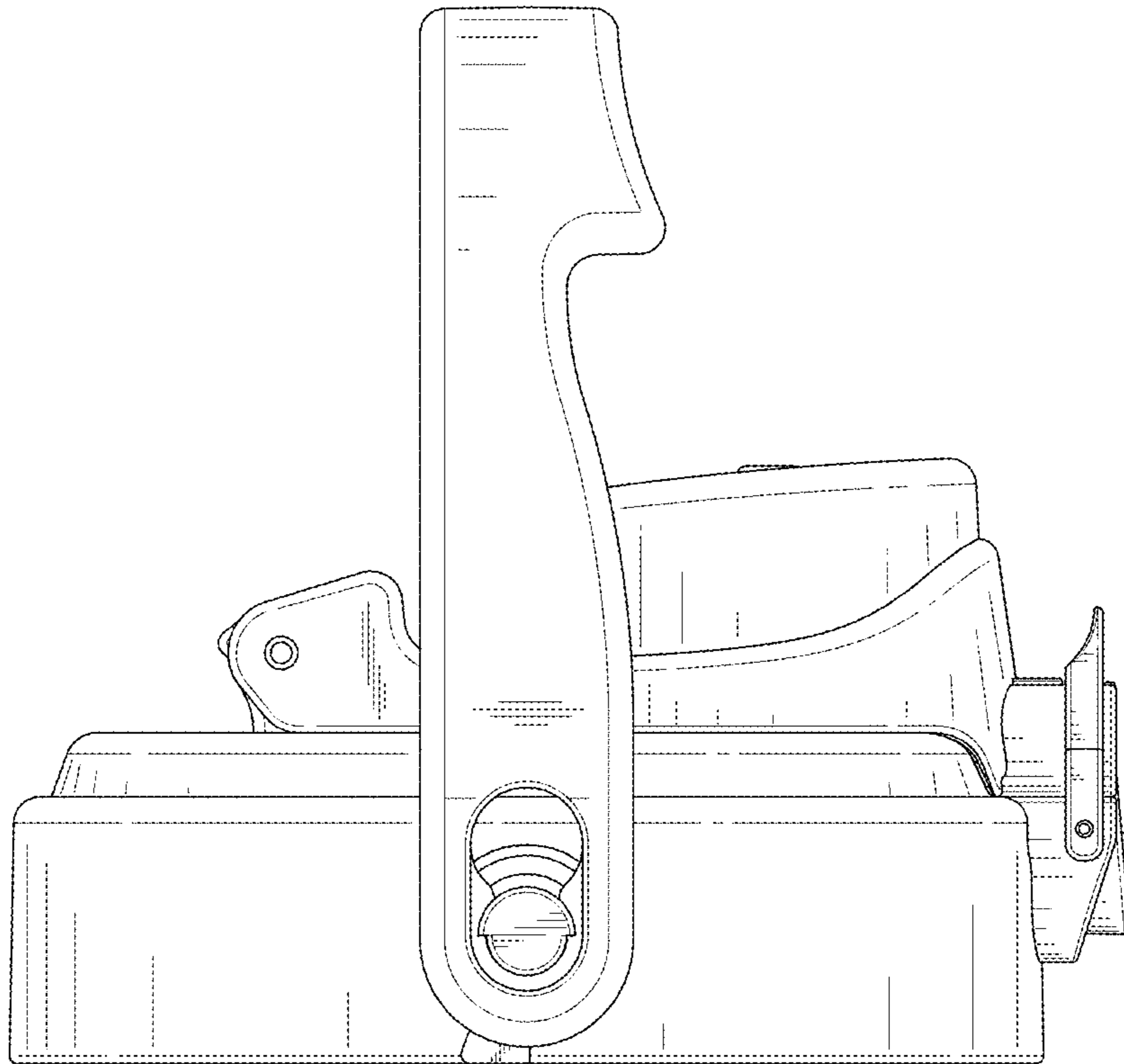


FIG. 8

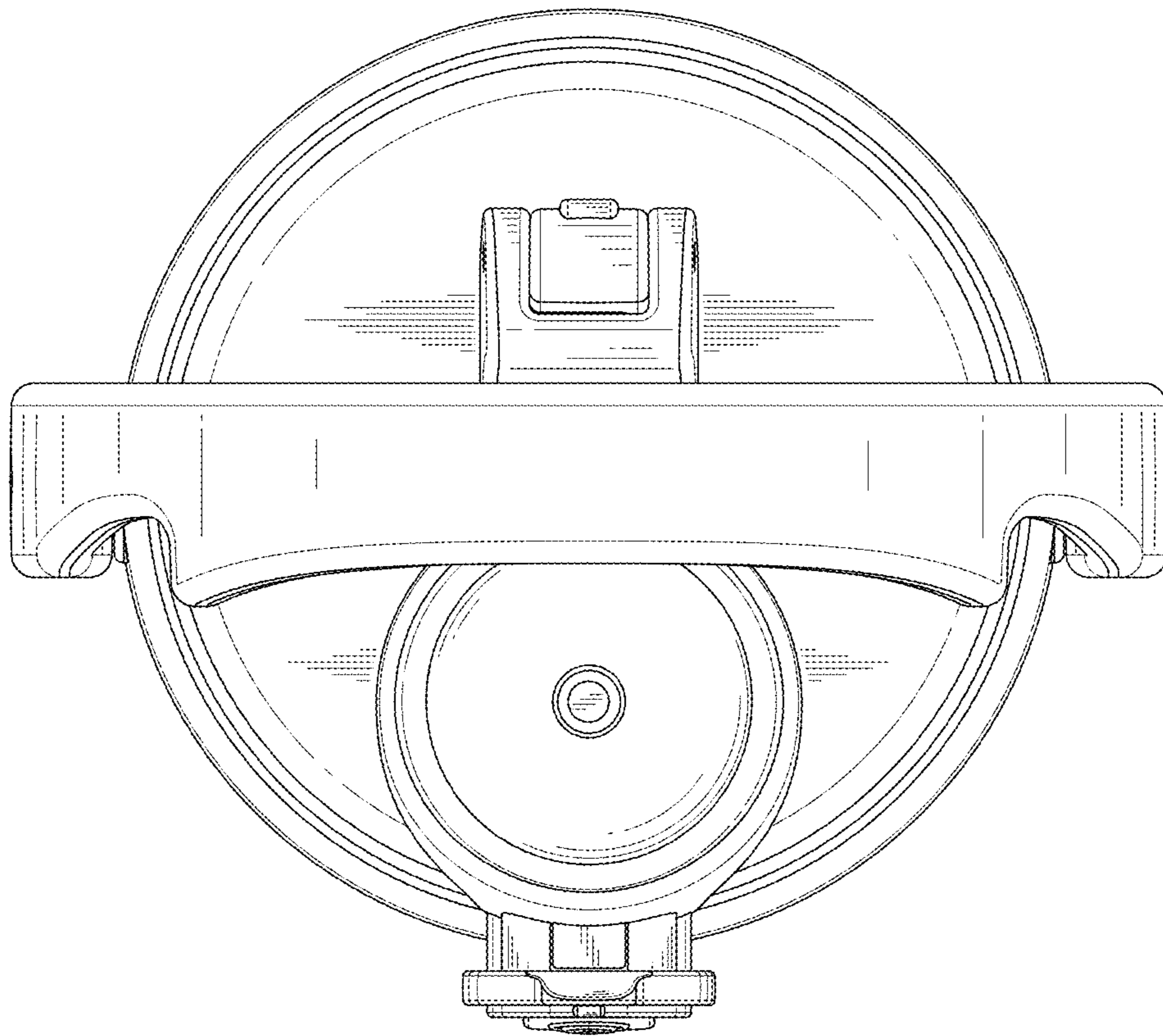


FIG. 9

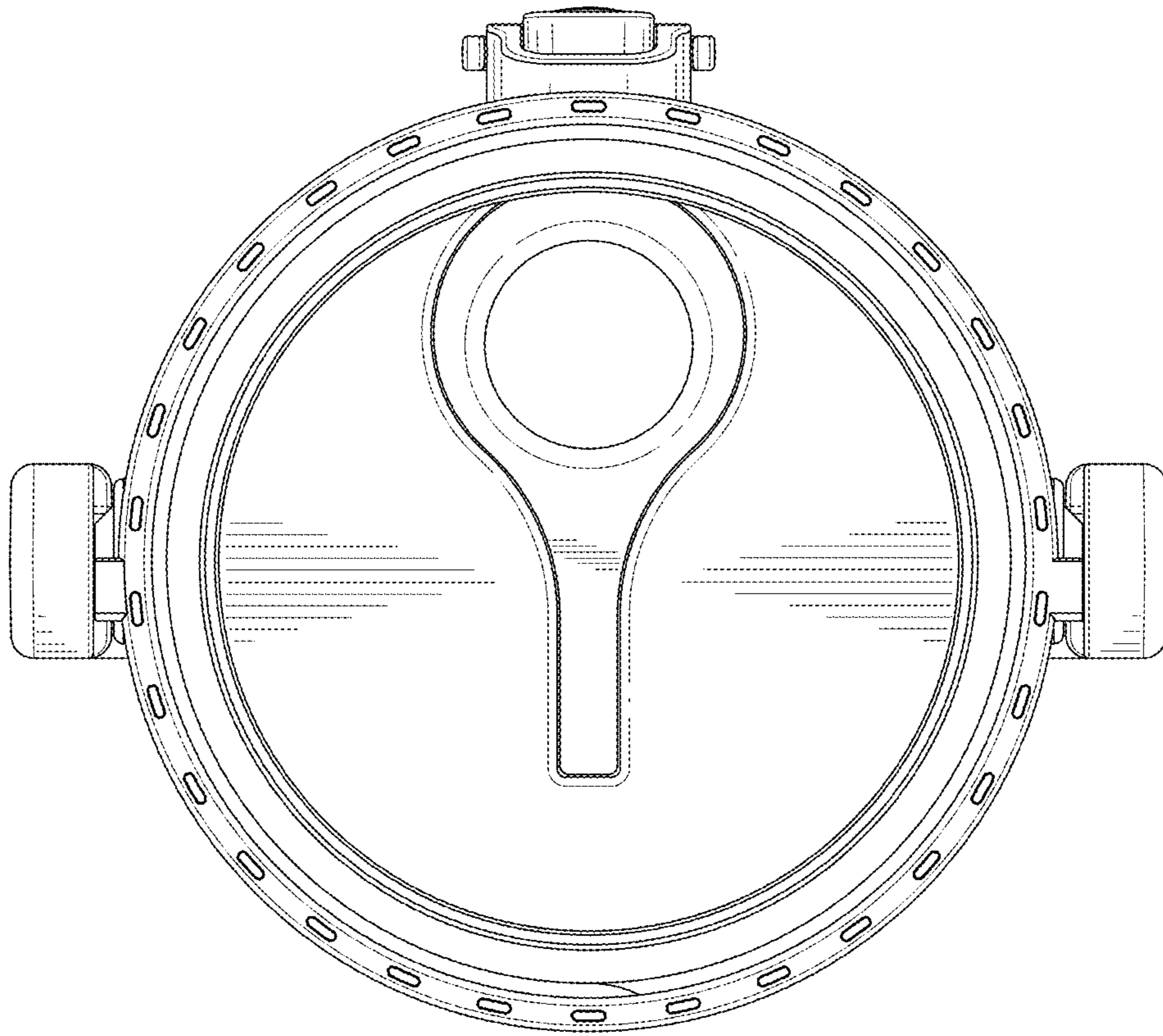


FIG. 10