



US00D896023S

(12) **United States Design Patent** (10) **Patent No.:** **US D896,023 S**
Ye (45) **Date of Patent:** **** Sep. 15, 2020**

- (54) **FOOD PROCESSOR** D272,120 S * 1/1984 Sawada D7/378
5,071,077 A * 12/1991 Arroubi A47J 43/06
241/36
- (71) Applicants: **Xiushan Ye**, Guangzhou (CN);
Guangzhou Shengwei Electric
Manufacturing Co., Ltd., Guangzhou
(CN) D338,803 S * 8/1993 Littmann D7/376
D350,451 S * 9/1994 Dickson D7/376
D373,703 S * 9/1996 Frisell D7/384
5,556,198 A * 9/1996 Dickson, Jr. A21C 1/14
366/100
- (72) Inventor: **Xiushan Ye**, Guangzhou (CN) 6,082,648 A * 7/2000 Marriere A47J 43/0716
241/282.1
- (73) Assignees: **Xiushan Ye**, Guangzhou (CN);
GUANGZHOU SHENGWEI
ELECTRIC MANUFACTURING
CO., LTD., Guangzhou (CN) D475,572 S * 6/2003 Black D7/386
D642,422 S * 8/2011 Averty
D708,007 S * 7/2014 Lazzer D7/384
D802,987 S 11/2017 Corlay
D853,782 S 7/2019 Conti et al.
D878,143 S * 3/2020 Ding D7/358
2016/0287011 A1 * 10/2016 Deshayes A47J 43/0772
- (**) Term: **15 Years**

(21) Appl. No.: **29/735,970**

(22) Filed: **May 27, 2020**

(51) **LOC (12) Cl.** **31-00**

(52) **U.S. Cl.**
USPC **D7/384; D7/376; D7/378**

(58) **Field of Classification Search**
USPC D7/358, 372, 376-386, 412-413, 602,
D7/629, 665-666, 669, 679, 693-694
CPC A21C 1/02; A21C 1/04; A21C 1/14; A23N
1/00; A23N 1/02; A47J 43/04; A47J
43/25; A47J 43/27; A47J 43/042; A47J
43/044; A47J 43/046; A47J 43/06; A47J
43/075; A47J 43/0716; A47J 43/0722;
A47J 43/0727; A47J 43/0772; B01F 3/00;
B01F 3/0807; B01F 3/0853; B01F
13/0059; B01F 13/0064; B02C 1/08;
B02C 2/04; B02C 4/42; B02C 4/142;
B02C 4/143; B02C 4/423; B02C 13/1835;
B28C 5/10; B28C 5/12; B28C 5/14;
B28C 5/16; G01G 19/56

See application file for complete search history.

(56) **References Cited**

U.S. PATENT DOCUMENTS

- D226,124 S * 1/1973 Kenfyn Arfor Roberts .. D7/379
- D261,718 S * 11/1981 Harrison D7/384

* cited by examiner

Primary Examiner — Ricky Pham

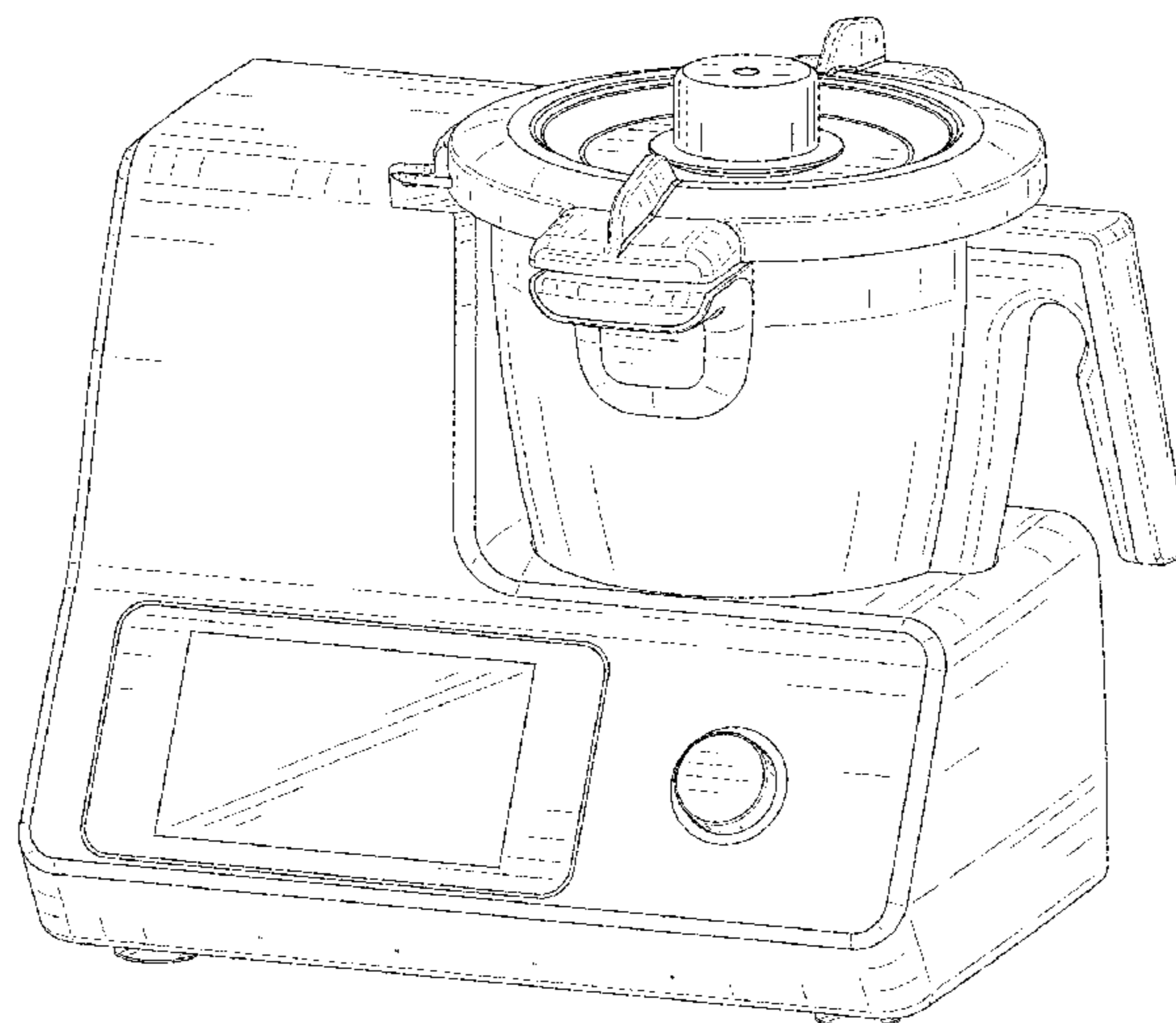
(57) **CLAIM**

The ornamental design for a food processor, as shown and described.

DESCRIPTION

FIG. 1 is a perspective view of a food processor according to an embodiment;
 FIG. 2 is a front elevational view thereof;
 FIG. 3 is a rear elevational view thereof;
 FIG. 4 is a left side elevational view thereof;
 FIG. 5 is a right side elevational view thereof;
 FIG. 6 is a top plan view thereof; and,
 FIG. 7 is a bottom plan view thereof.
 The broken lines in the drawings depict portions of the food processor that form no part of the claimed design.
 The shade lines in the figures show contour and not surface ornamentation.
 The diagonal shaded lines in the figures show a display surface.

1 Claim, 7 Drawing Sheets



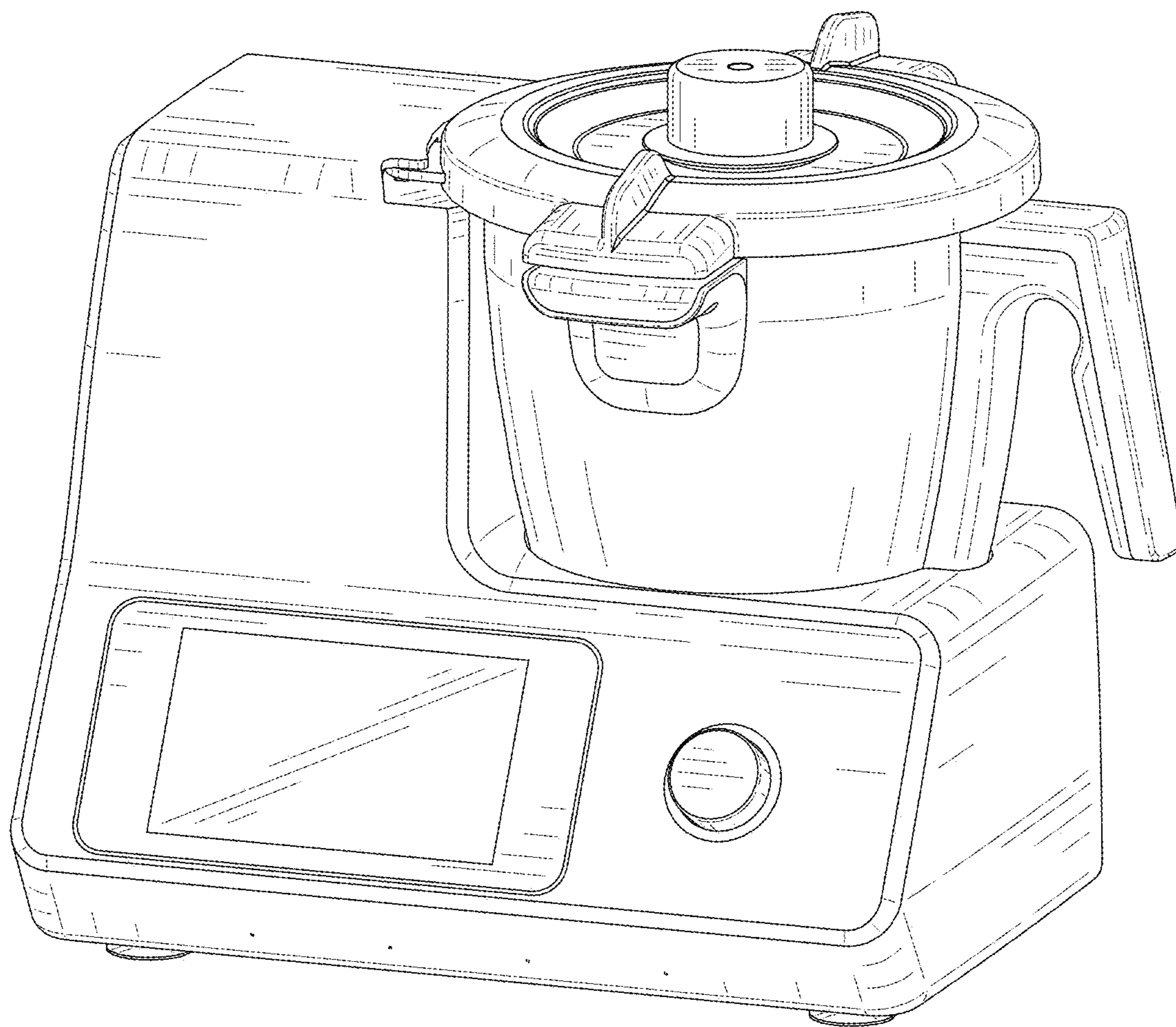


FIG. 1

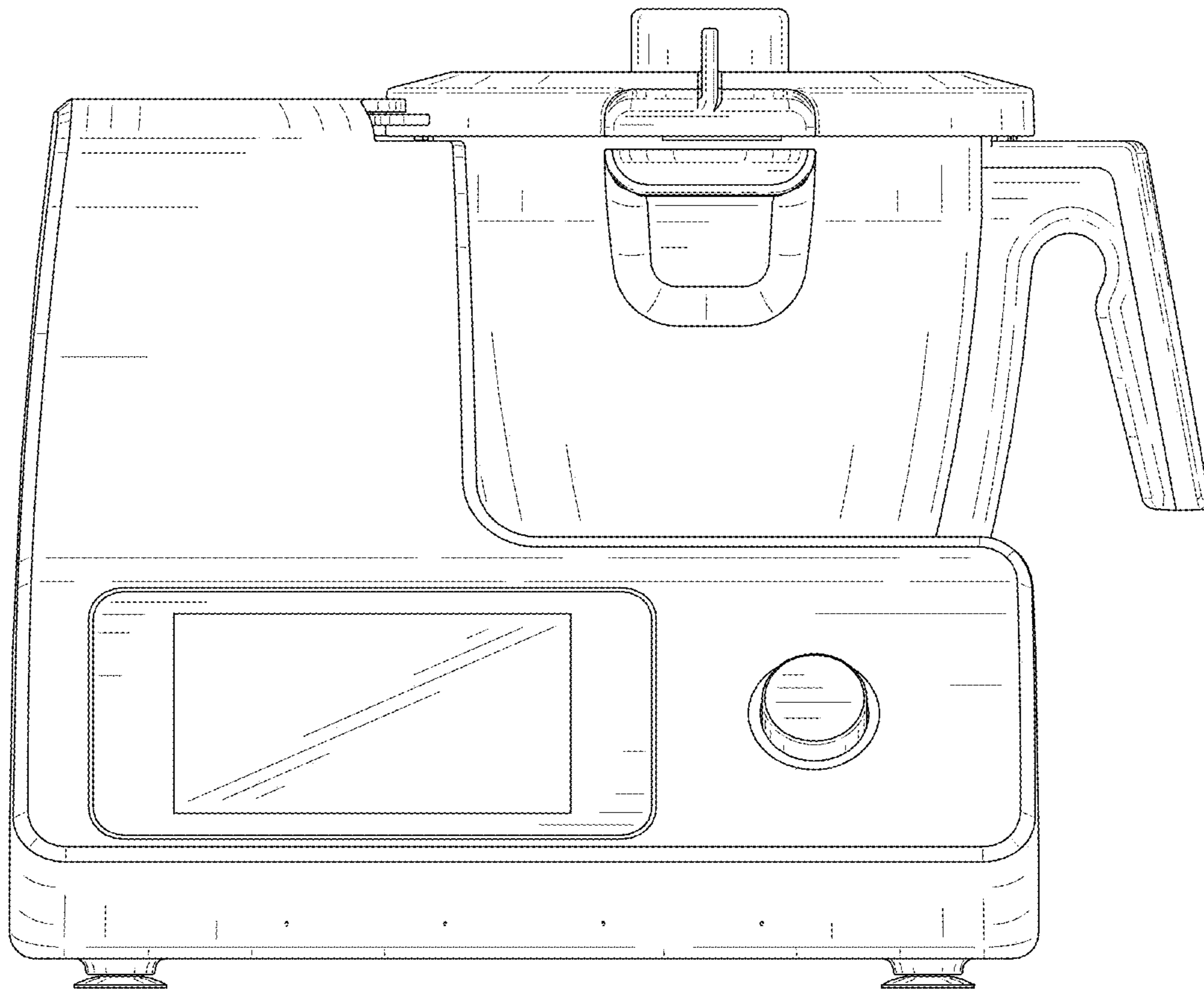


FIG. 2

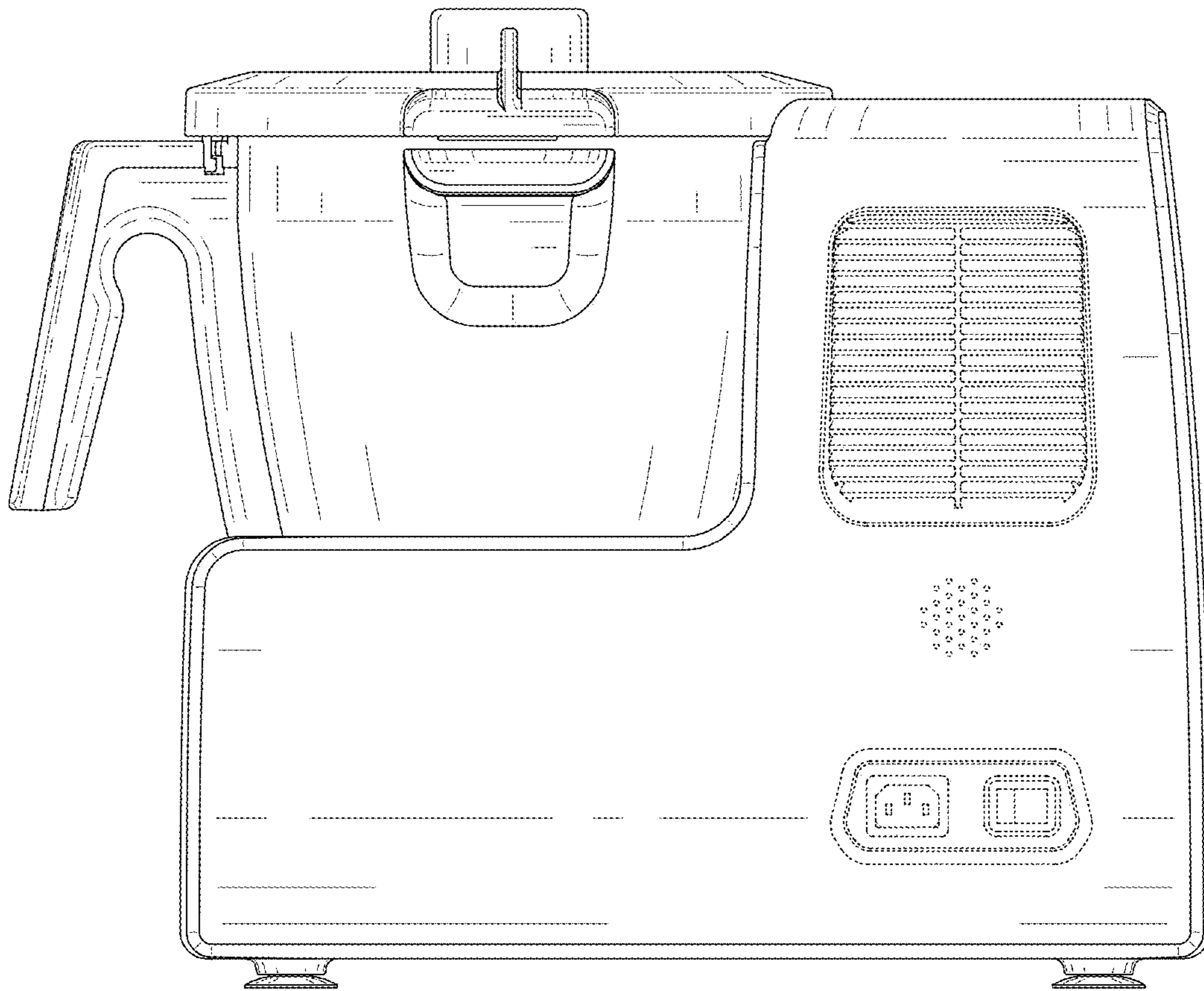


FIG. 3

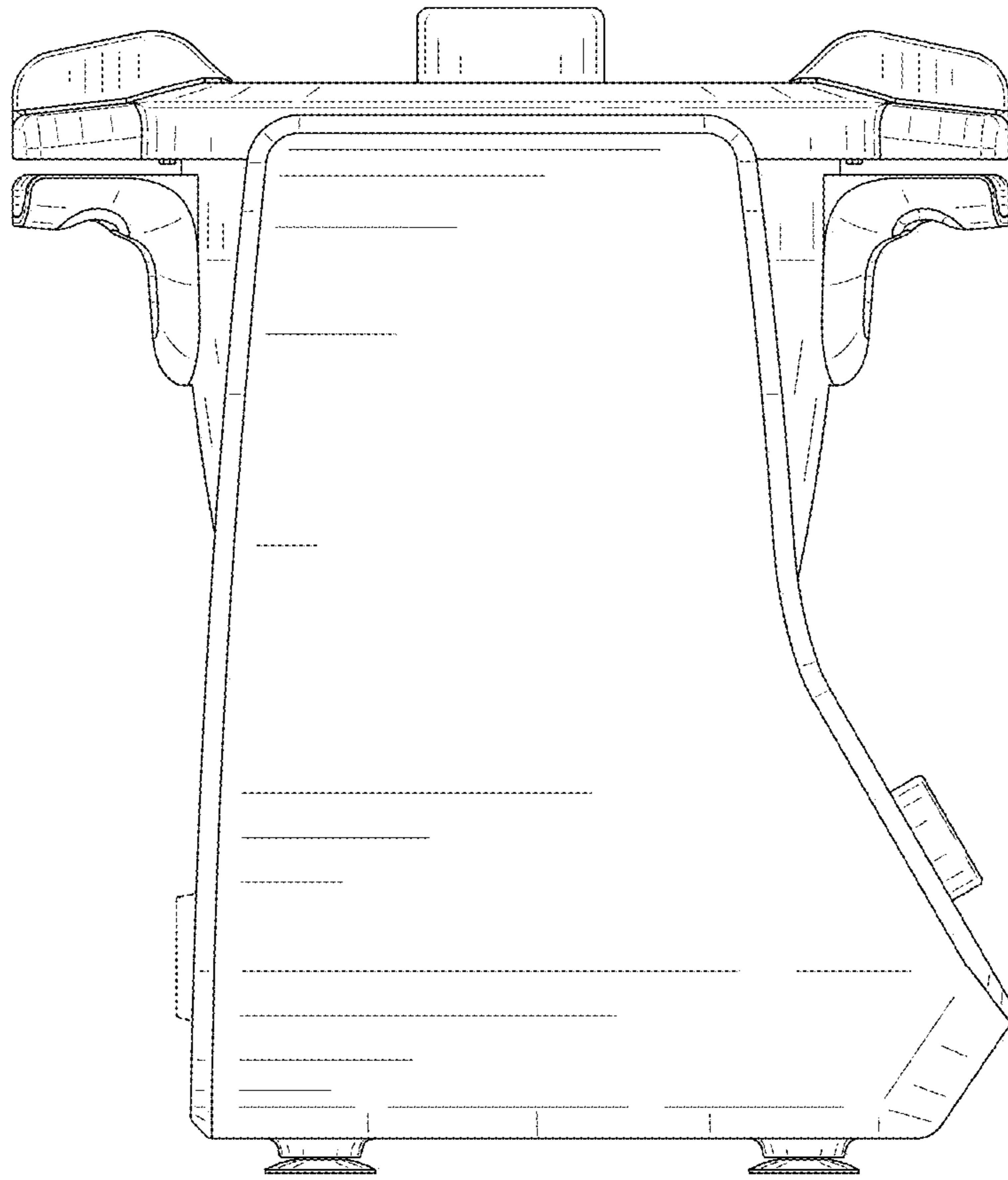


FIG. 4

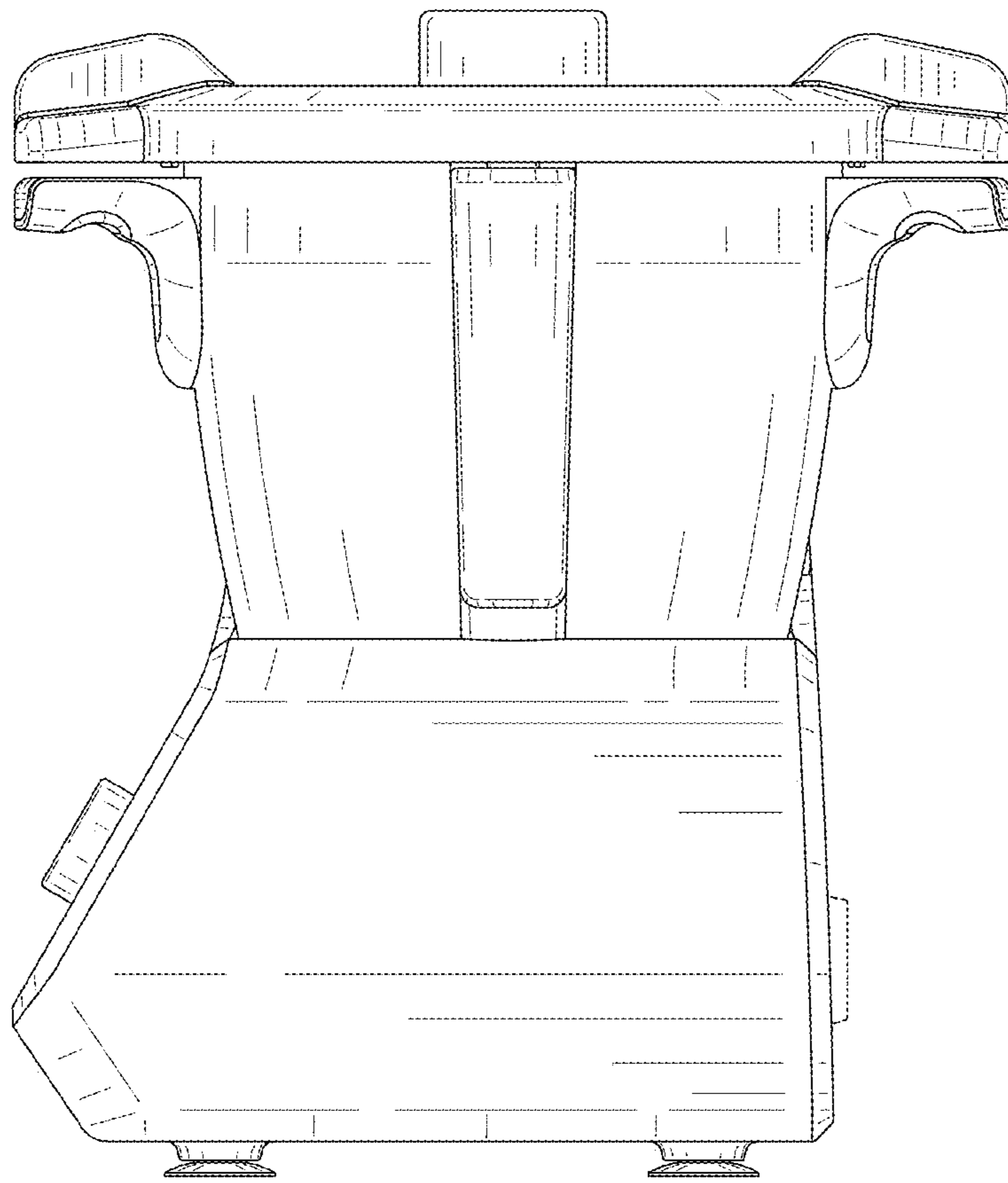


FIG. 5

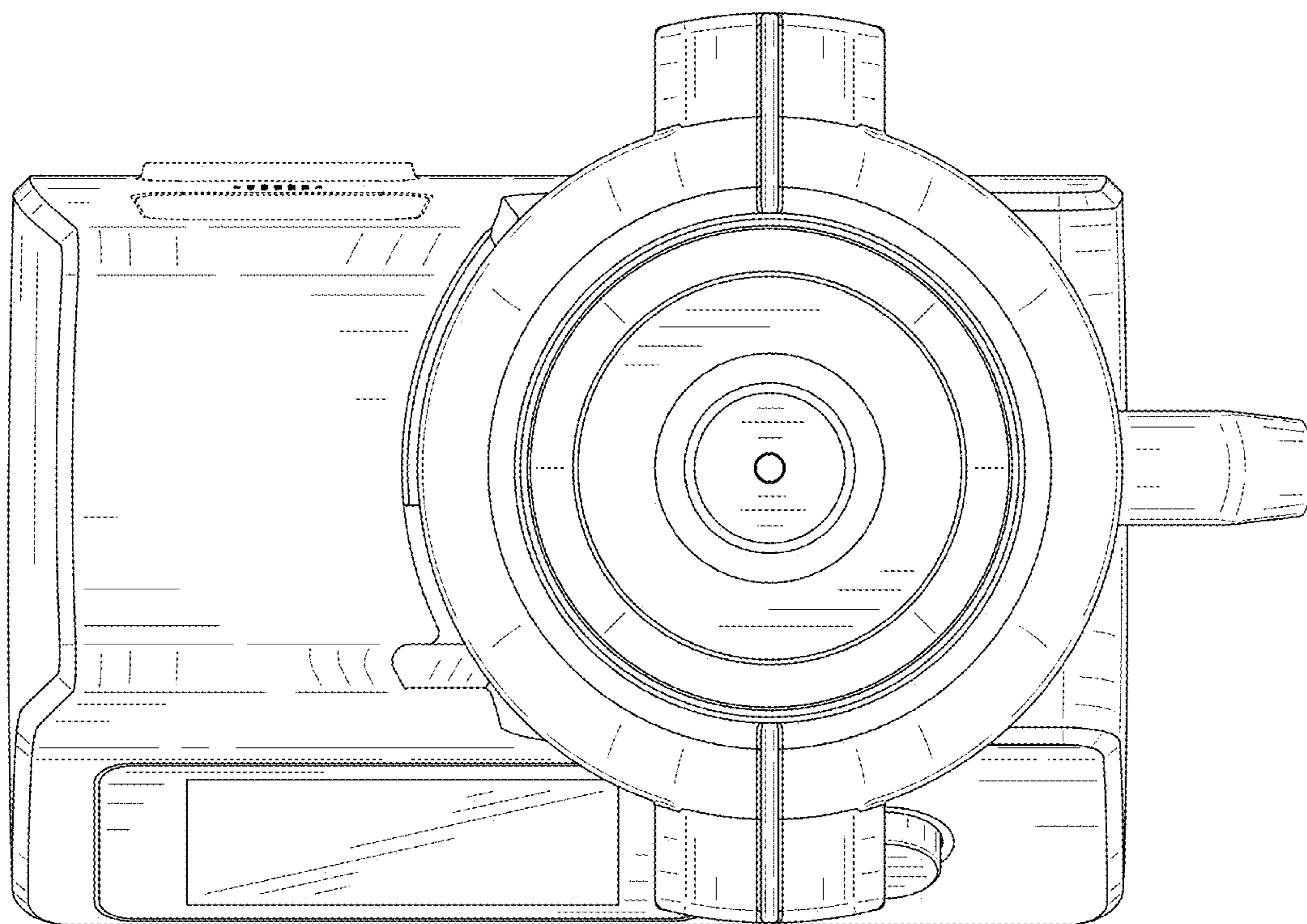


FIG. 6

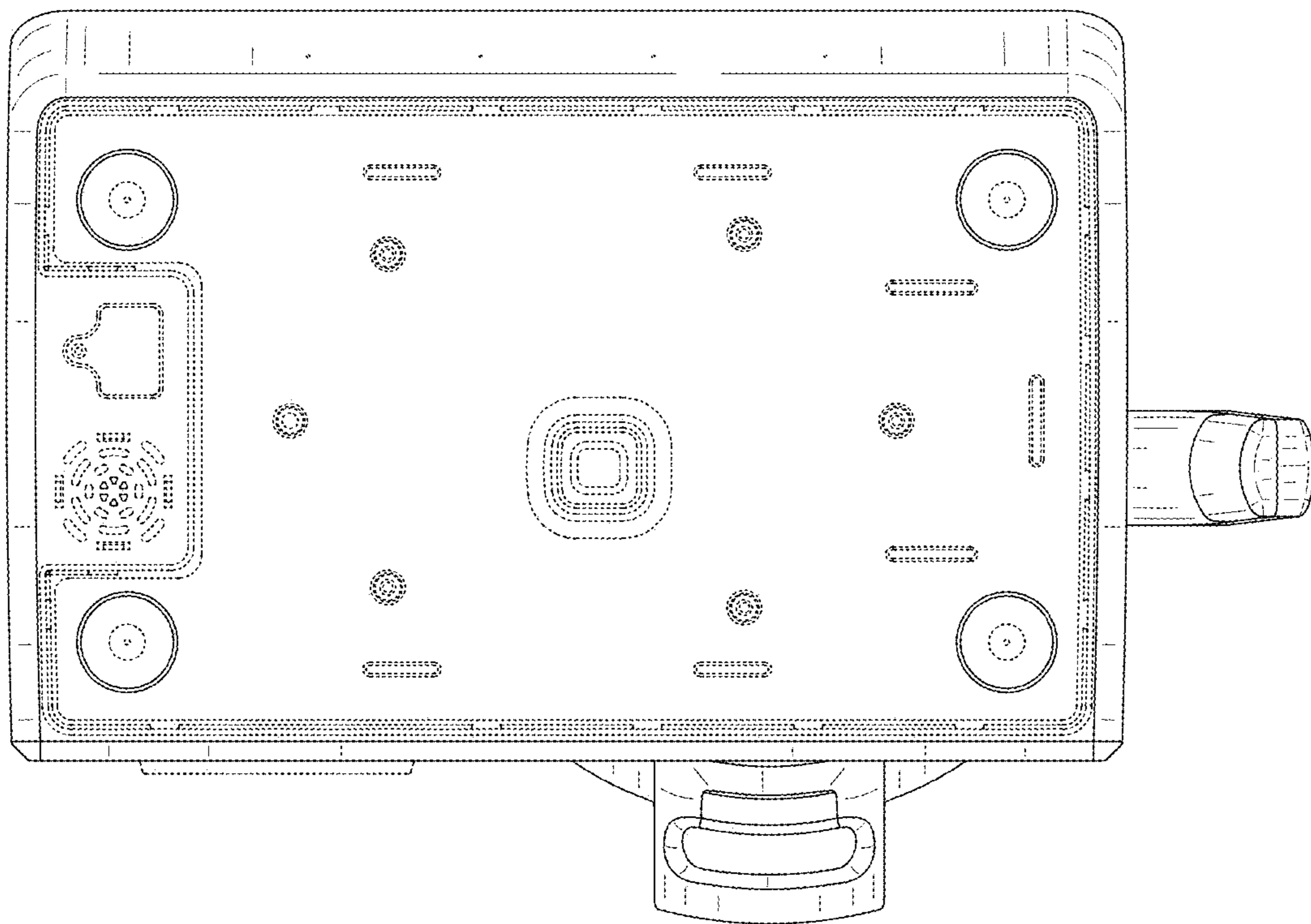


FIG. 7