



US00D896022S

(12) **United States Design Patent** (10) **Patent No.:** **US D896,022 S**
Ye (45) **Date of Patent:** **** Sep. 15, 2020**

(54) **FOOD PROCESSOR**

(71) Applicants: **Xiushan Ye**, Guangzhou (CN);
GUANGZHOU SHENGWEI
ELECTRIC MANUFACTURING
CO., LTD., Guangzhou (CN)

(72) Inventor: **Xiushan Ye**, Guangzhou (CN)

(73) Assignees: **Xiushan Ye**, Guangzhou (CN);
GUANGZHOU SHENGWEI
ELECTRIC MANUFACTURING
CO., LTD., Guangzhou (CN)

(**) Term: **15 Years**

(21) Appl. No.: **29/730,981**

(22) Filed: **Apr. 10, 2020**

(30) **Foreign Application Priority Data**

Feb. 5, 2020 (CN) 2020 3 0047254

(51) **LOC (12) Cl.** **31-00**

(52) **U.S. Cl.**
USPC **D7/384; D7/376; D7/378; D7/386**

(58) **Field of Classification Search**
USPC D7/357, 358, 360, 372, 376-386,
D7/412-413, 602, 629, 665-666, 669,
D7/679, 693-694
CPC A21C 1/02; A21C 1/04; A23N 1/00; A23N
1/02; A47J 27/004; A47J 37/0629; A47J
43/04; A47J 43/25; A47J 43/27; A47J
43/042; A47J 43/044; A47J 43/046; A47J
43/075; A47J 43/0722; A47J 43/0727;
A47J 43/0772; B01F 3/00; B01F 3/0807;
B01F 3/0853; B01F 13/0059; B01F
13/0064; B02C 1/08; B02C 2/04; B02C
4/42; B02C 4/142; B02C 4/143; B02C
4/423; B02C 13/1835; B28C 5/10; B28C
5/12; B28C 5/14; B28C 5/16
See application file for complete search history.

(56) **References Cited**

U.S. PATENT DOCUMENTS

3,176,968 A *	4/1965	Appleton	A47J 43/046 366/146
D242,208 S *	11/1976	Madl	D7/386
6,289,793 B1 *	9/2001	Hu	A47J 27/004 366/145
D707,079 S *	6/2014	Blaise	D7/376
D758,126 S *	6/2016	Benoit	D7/376
D761,613 S *	7/2016	Moon	D7/354
D761,615 S *	7/2016	Dickson, Jr.	D7/376
D764,856 S *	8/2016	Sandberg	D7/354
D766,649 S *	9/2016	Suzuki	D7/376

(Continued)

Primary Examiner — Ricky Pham

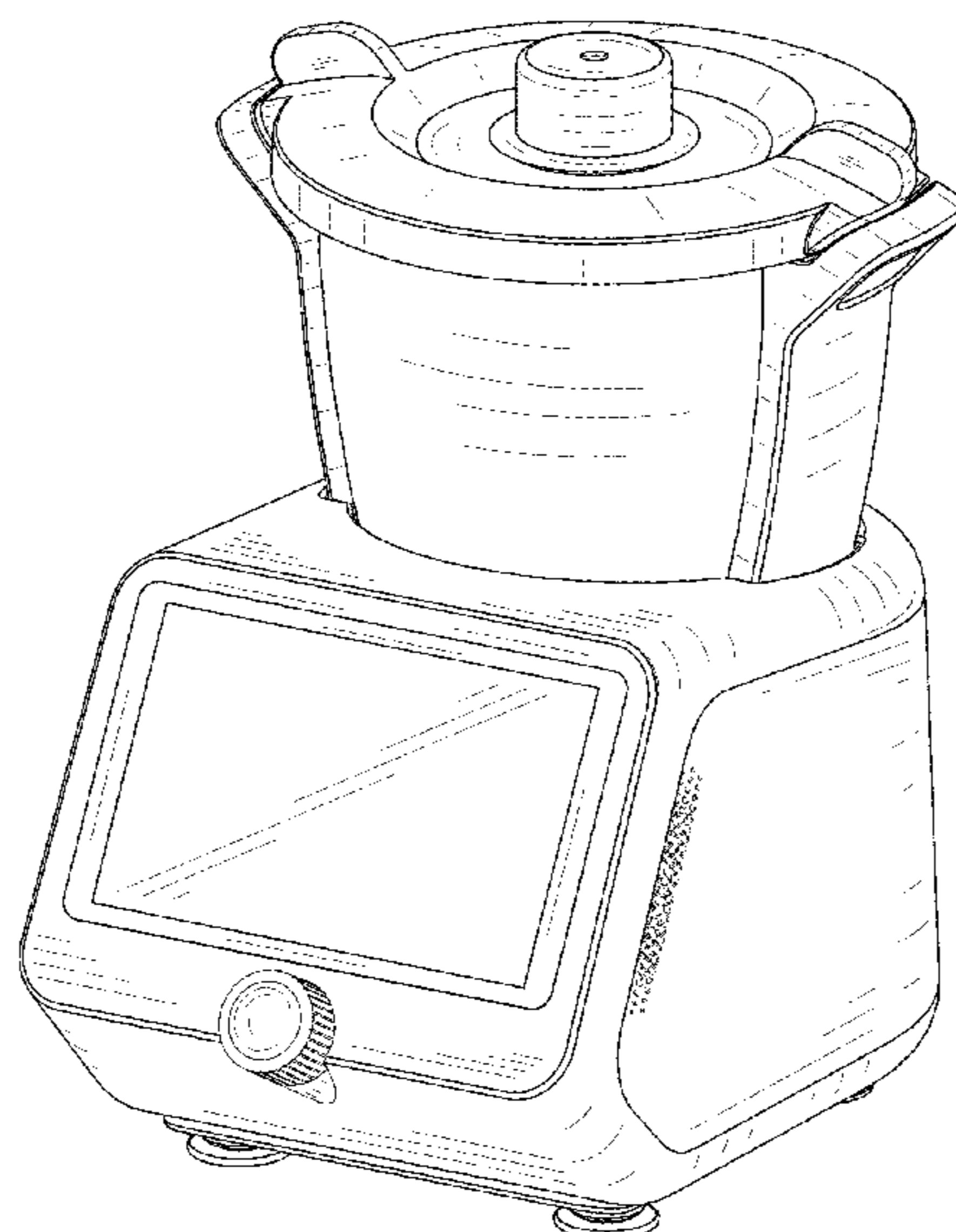
(57) **CLAIM**

The ornamental design for a food processor, as shown and described.

DESCRIPTION

FIG. 1 is a perspective view of a food processor according to an embodiment;
FIG. 2 is a front elevational view thereof;
FIG. 3 is a rear elevational view thereof;
FIG. 4 is a left side elevational view thereof;
FIG. 5 is a right side elevational view thereof;
FIG. 6 is a top plan view thereof;
FIG. 7 is a bottom plan view thereof; and,
FIG. 8 is an enlarged view of part 8 as shown in FIG. 6.
The broken lines in the drawings depict portions of the food processor that form no part of the claimed design.
The shade lines in the figures show contour and not surface ornamentation. The diagonal shaded lines in the figures show a display surface.
The dot-dash-dot broken lines are for the purpose of illustrating the boundaries of the claim, and form no part of the claimed design.

1 Claim, 8 Drawing Sheets



(56)

References Cited

U.S. PATENT DOCUMENTS

D811,804 S	3/2018	Smith	
D812,416 S	3/2018	Carlson	
D878,143 S *	3/2020	Ding	D7/358
2002/0027175 A1 *	3/2002	Capp	A47J 43/046
			241/199.12
2016/0287011 A1 *	10/2016	Deshayes	A47J 43/0772
2018/0333004 A1 *	11/2018	De' Longhi	A47J 37/0629

* cited by examiner

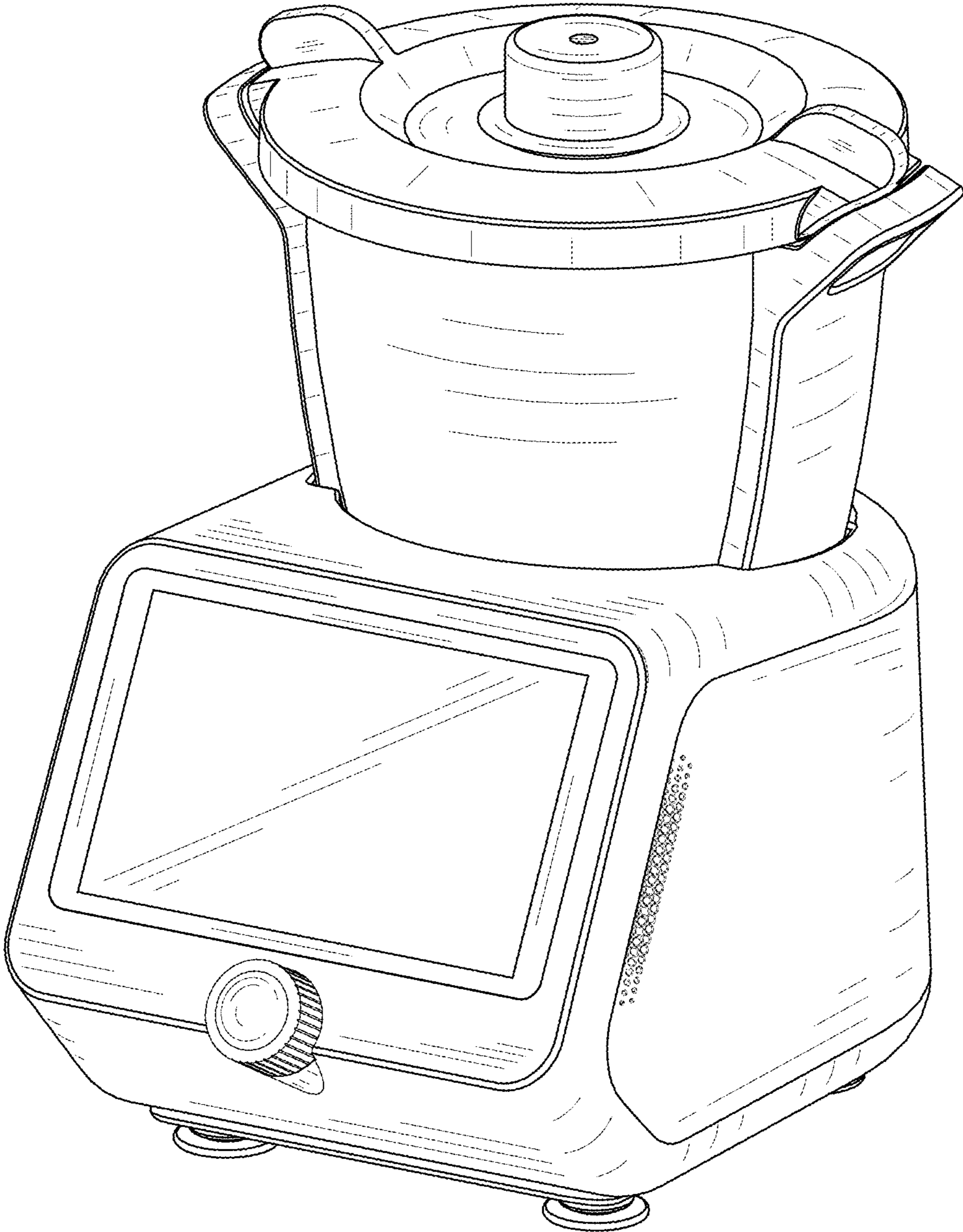


FIG. 1

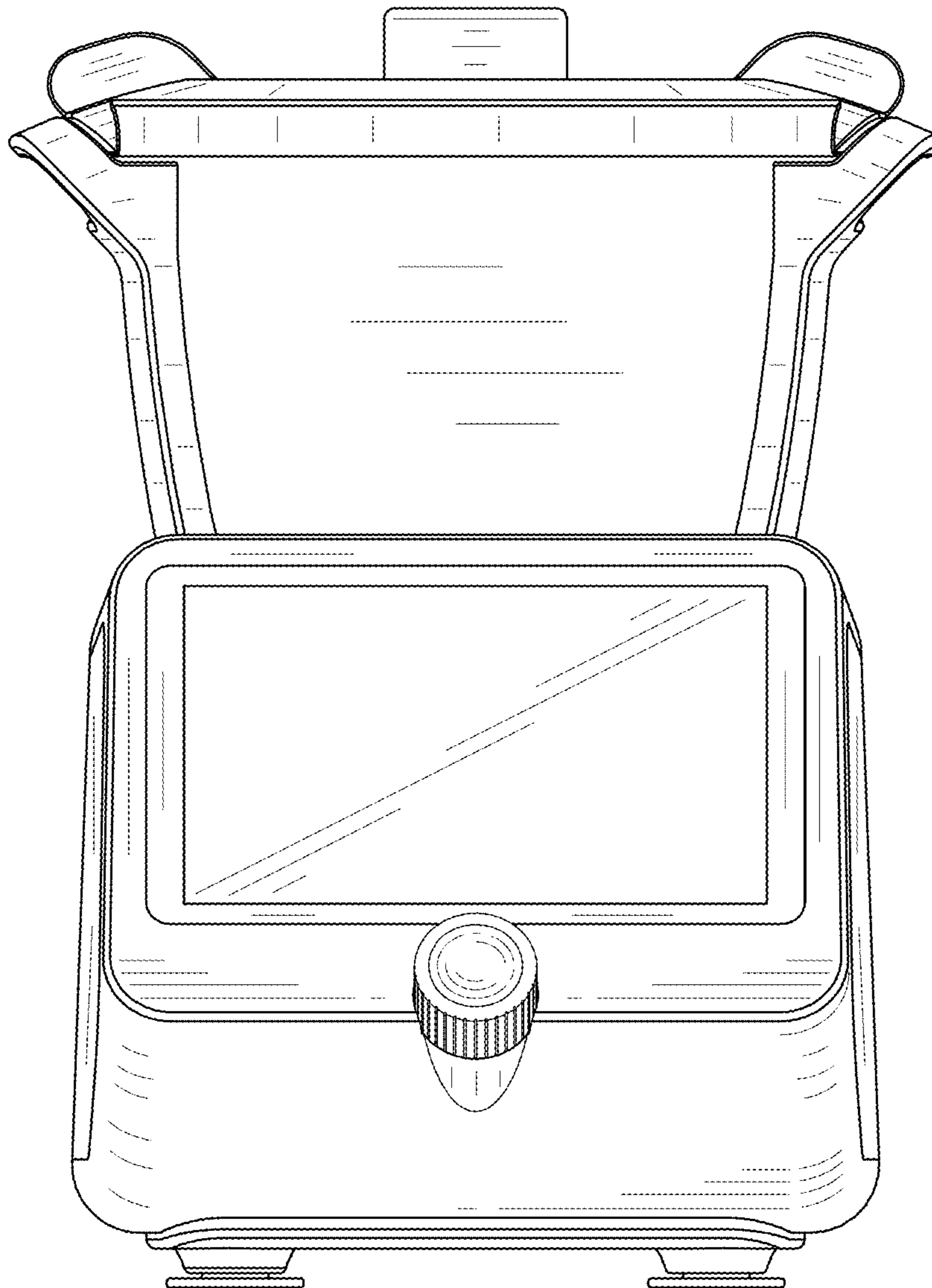


FIG. 2

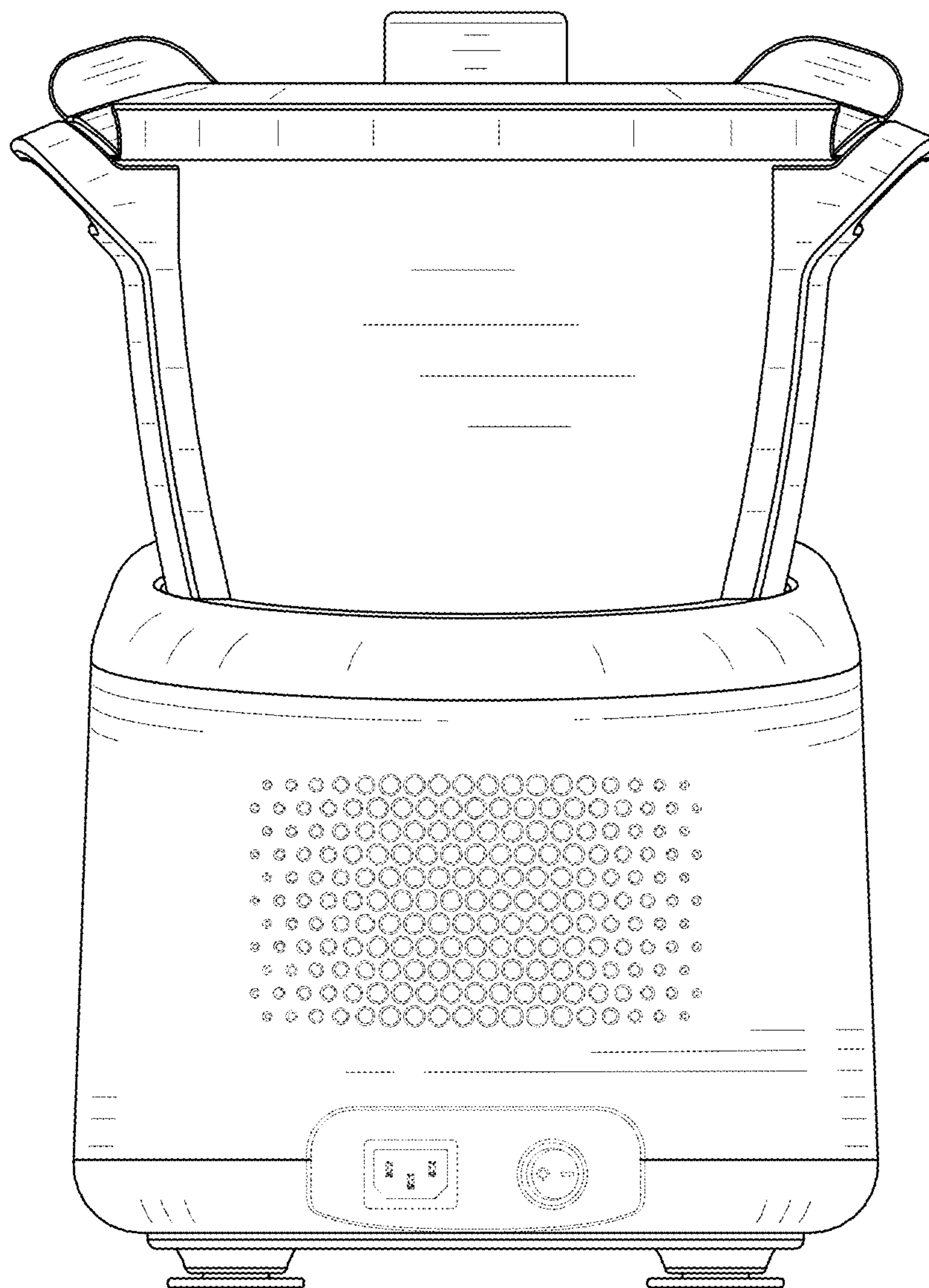


FIG. 3

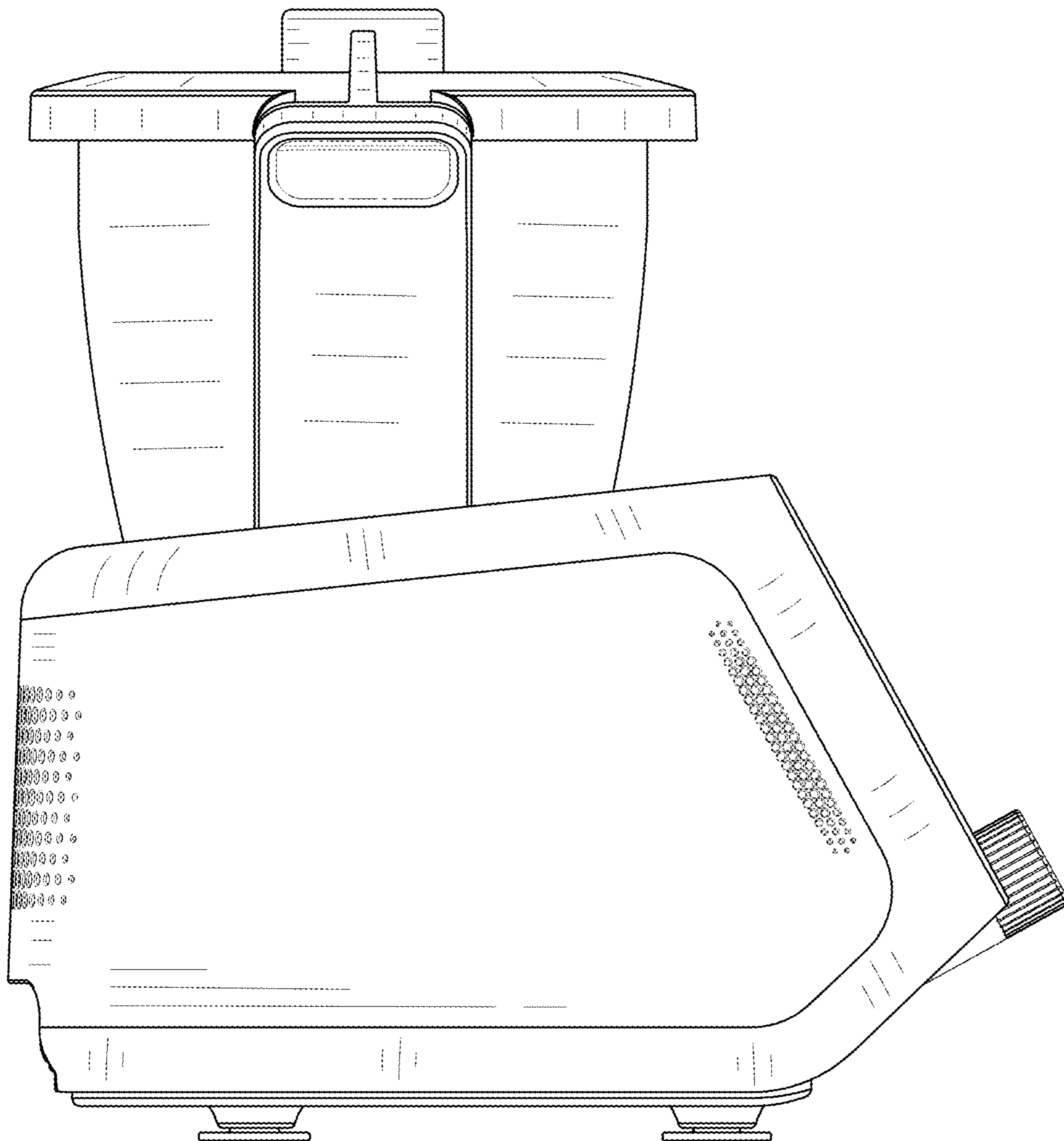


FIG. 4

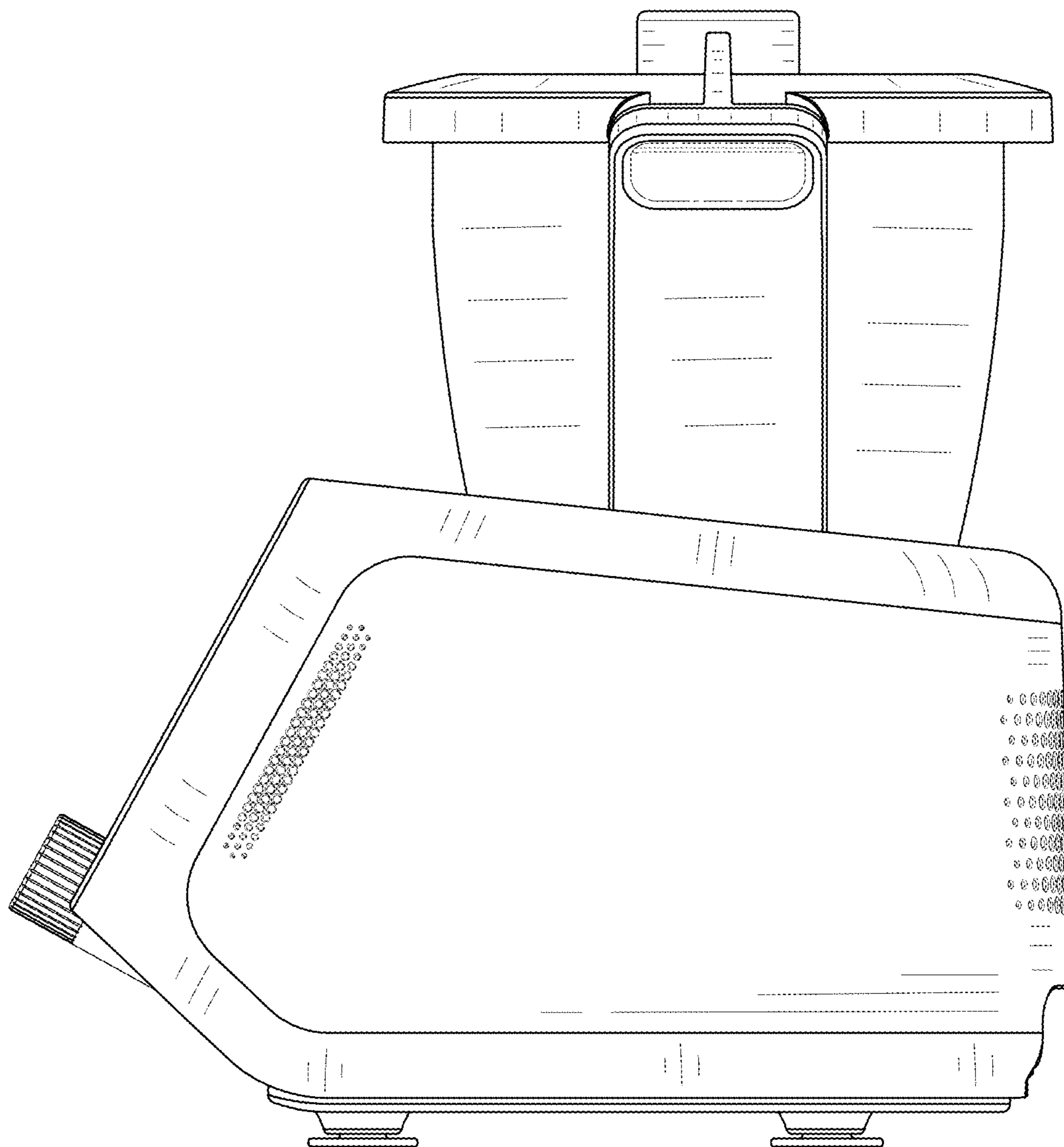


FIG. 5

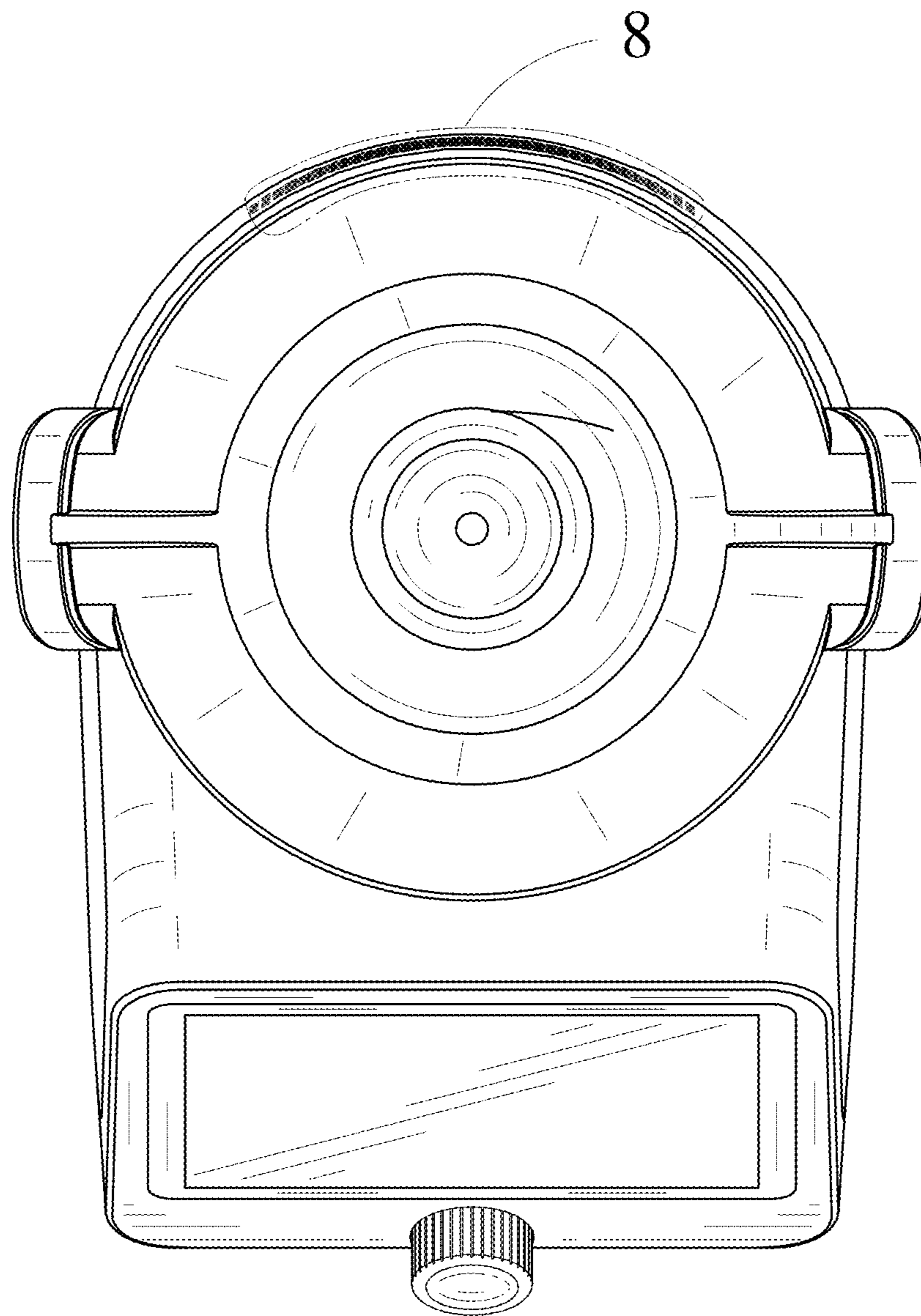


FIG. 6

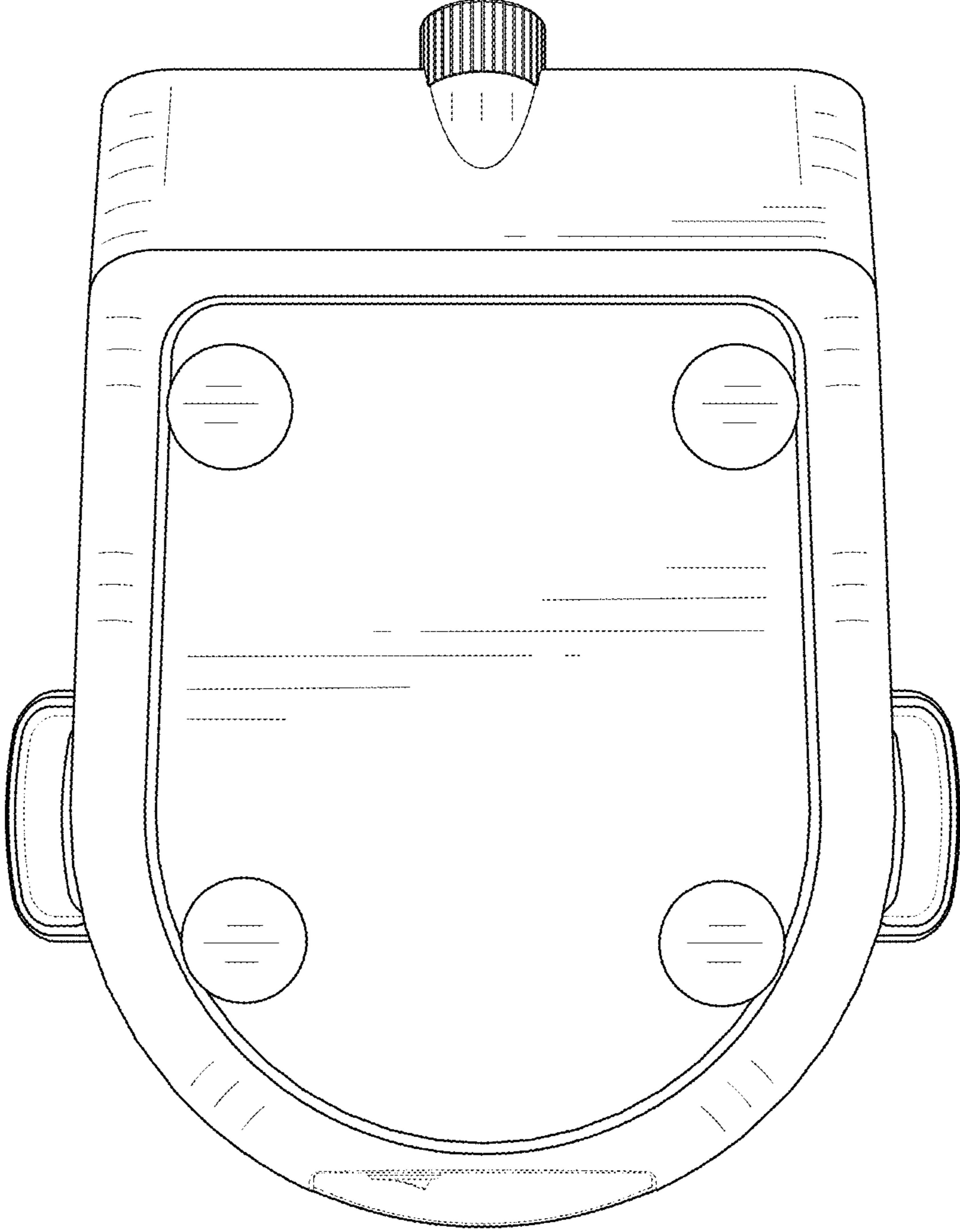


FIG. 7

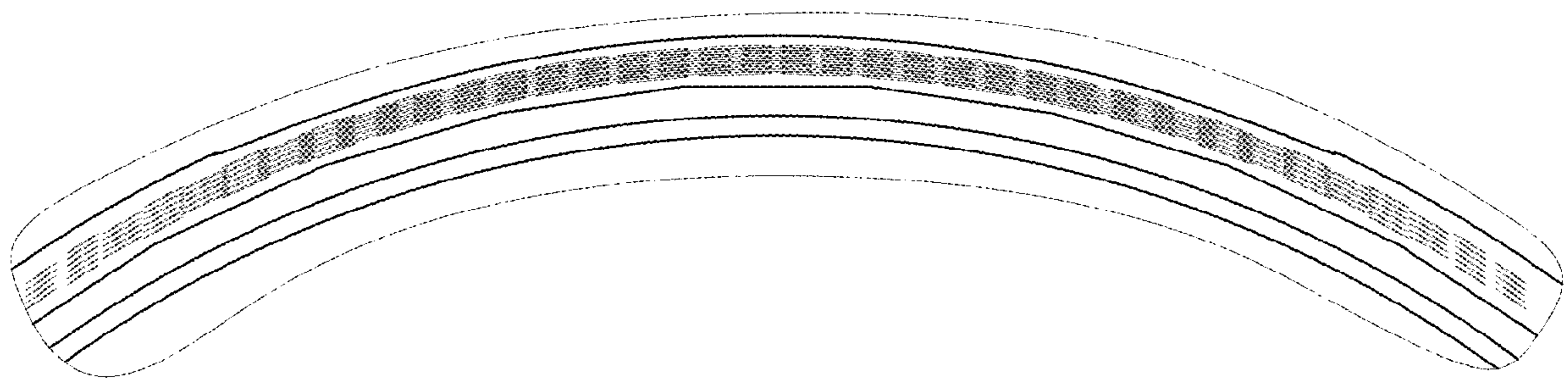


FIG. 8