



US00D896021S

(12) **United States Design Patent** (10) **Patent No.:** **US D896,021 S**  
**Bond et al.** (45) **Date of Patent:** **\*\* Sep. 15, 2020**

(54) **SNOW CONE MACHINE**

(56) **References Cited**

(71) Applicant: **Nostalgia Products LLC**, Green Bay, WI (US)

U.S. PATENT DOCUMENTS

(72) Inventors: **Gregg Bond**, Beverly Hills, CA (US);  
**Edward E. Boughton, III**, Ventura, CA (US)

D389,891 S *	1/1998	Kawasaki	.....	D21/811
7,841,599 B2 *	11/2010	Todokoro	.....	A63F 9/30
				273/440
D677,969 S *	3/2013	Bond	.....	D7/325
D682,005 S *	5/2013	Kauer	.....	D7/325
D726,483 S *	4/2015	Lin	.....	D7/309
D760,020 S *	6/2016	Gagnon	.....	D7/368
D769,407 S *	10/2016	Lee	.....	D23/207
D770,215 S *	11/2016	Vu	.....	D7/309
D805,341 S *	12/2017	De' Longhi	.....	D7/309
D807,099 S *	1/2018	De' Longhi	.....	D7/309
D817,061 S *	5/2018	Lissoni	.....	D7/309
D821,132 S *	6/2018	Cometti	.....	D7/309
D826,628 S *	8/2018	Bond	.....	D7/374

(73) Assignee: **NOSTALGIA PRODUCTS LLC**, Green Bay, WI (US)

(\*\*) Term: **15 Years**

\* cited by examiner

(21) Appl. No.: **29/673,298**

(22) Filed: **Dec. 13, 2018**

*Primary Examiner* — Ricky Pham

(51) **LOC (12) Cl.** ..... **31-00**

(74) *Attorney, Agent, or Firm* — Womble Bond Dickinson (US) LLP

(52) **U.S. Cl.**

USPC ..... **D7/374**; D7/372; D7/412

(58) **Field of Classification Search**

USPC ..... D7/309, 310, 325, 368, 372–386, D7/412–413, 602, 629, 665–666, 669, D7/679, 693–694; D21/811; D23/207

CPC .... A21C 1/02; A21C 1/04; A23N 1/00; A23N 1/02; A47J 43/04; A47J 43/25; A47J 43/27; A47J 43/042; A47J 43/044; A47J 43/046; A47J 43/075; A47J 43/0722; A47J 43/0727; A63F 9/30; B01F 3/00; B01F 3/0807; B01F 3/0853; B01F 13/0059; B01F 13/0064; B02C 1/08; B02C 2/04; B02C 4/42; B02C 4/142; B02C 4/143; B02C 4/423; B02C 13/1835; B28C 5/10; B28C 5/12; B28C 5/14; B28C 5/16

See application file for complete search history.

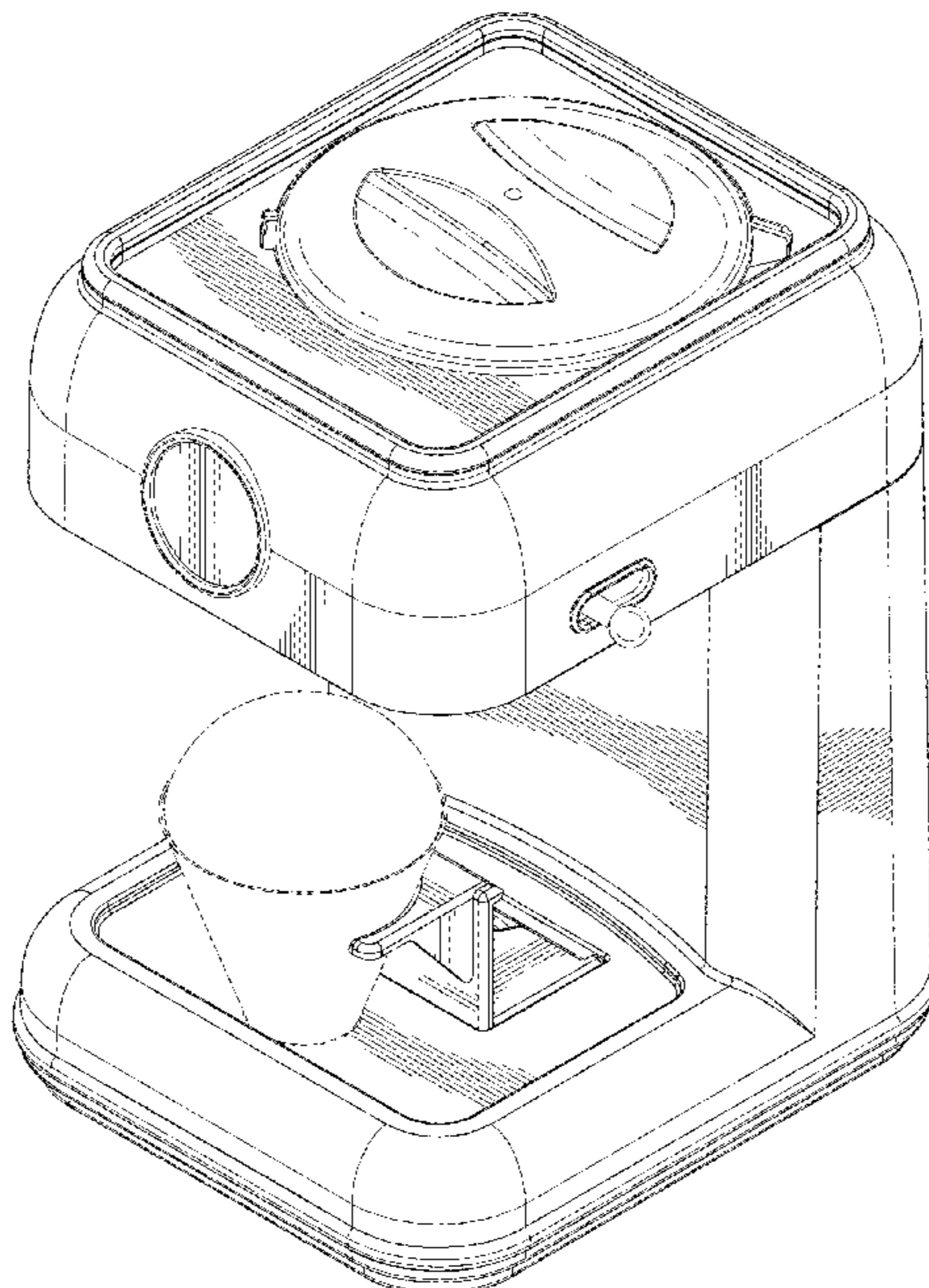
(57) **CLAIM**

The ornamental design for snow cone machine, as shown and described.

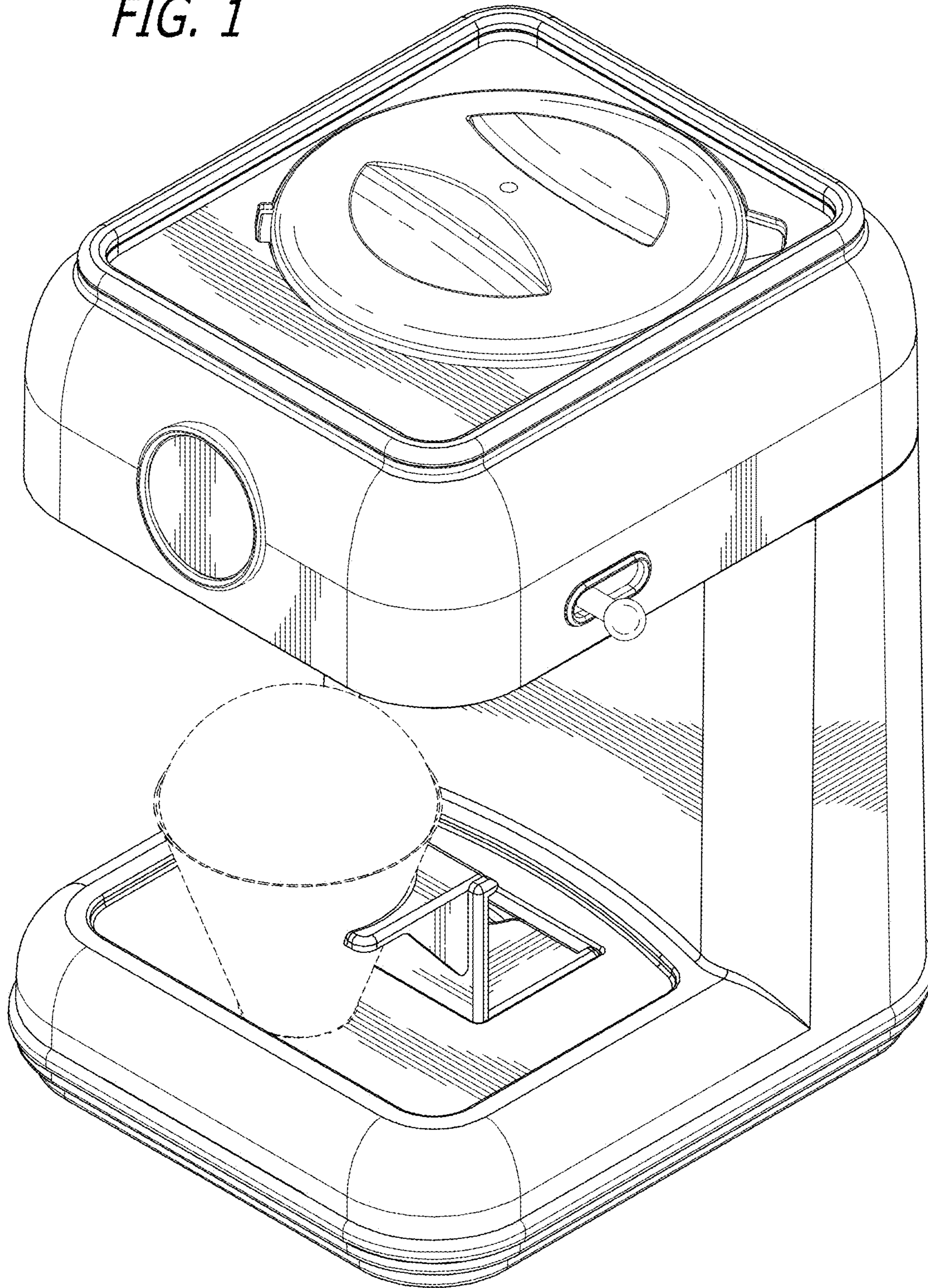
**DESCRIPTION**

FIG. 1 is a front, side perspective view of our new ornamental design for snow cone machine; FIG. 2 is a front elevation view thereof; FIG. 3 is a rear elevation view thereof; FIG. 4 is a left, side elevation view thereof; FIG. 5 is a right, side elevation view thereof; FIG. 6 is a top plan view thereof; and, FIG. 7 is a bottom plan view thereof. The broken lines shown in the drawings are for illustrative purposes only and form no part of the claimed design.

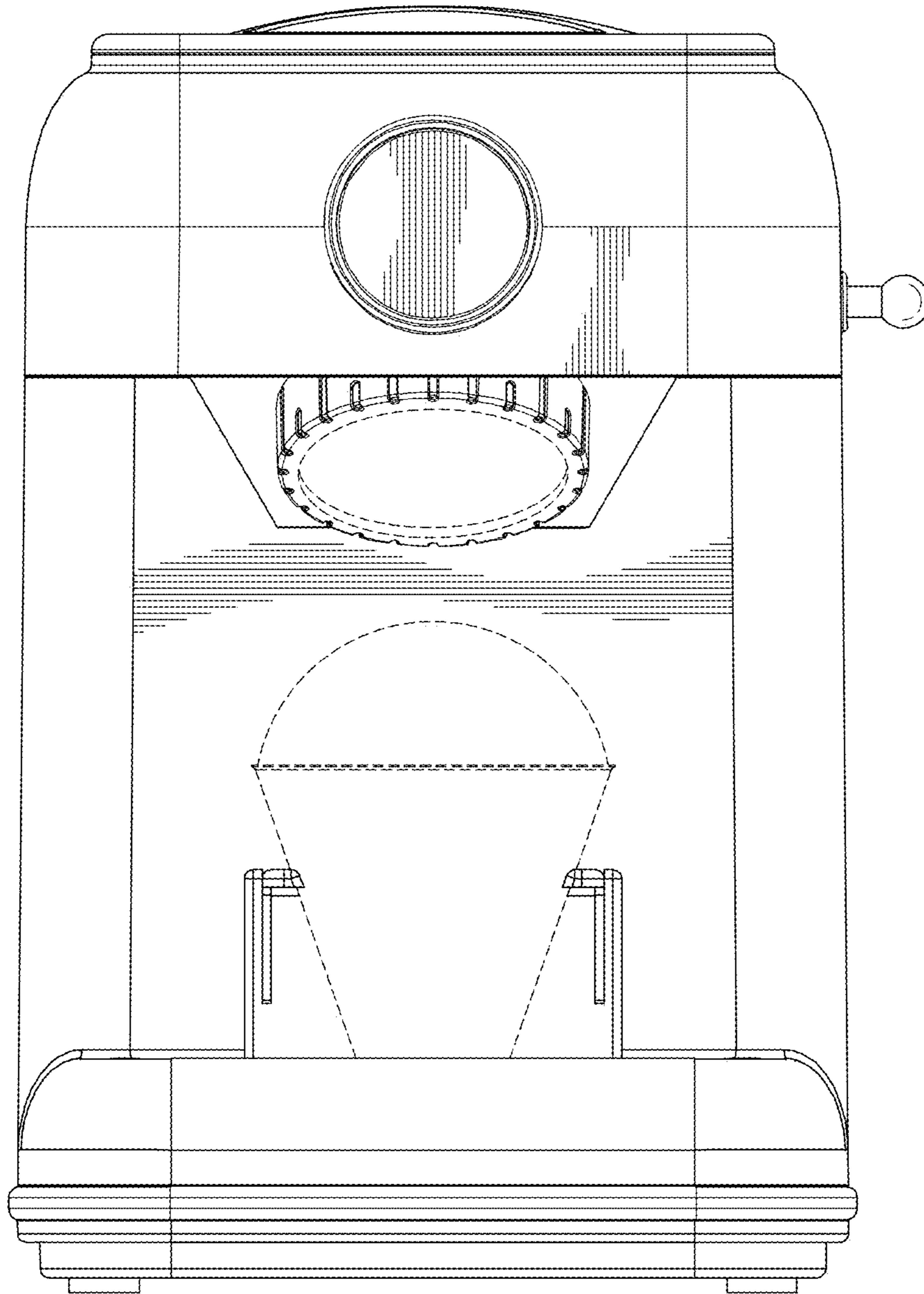
**1 Claim, 7 Drawing Sheets**



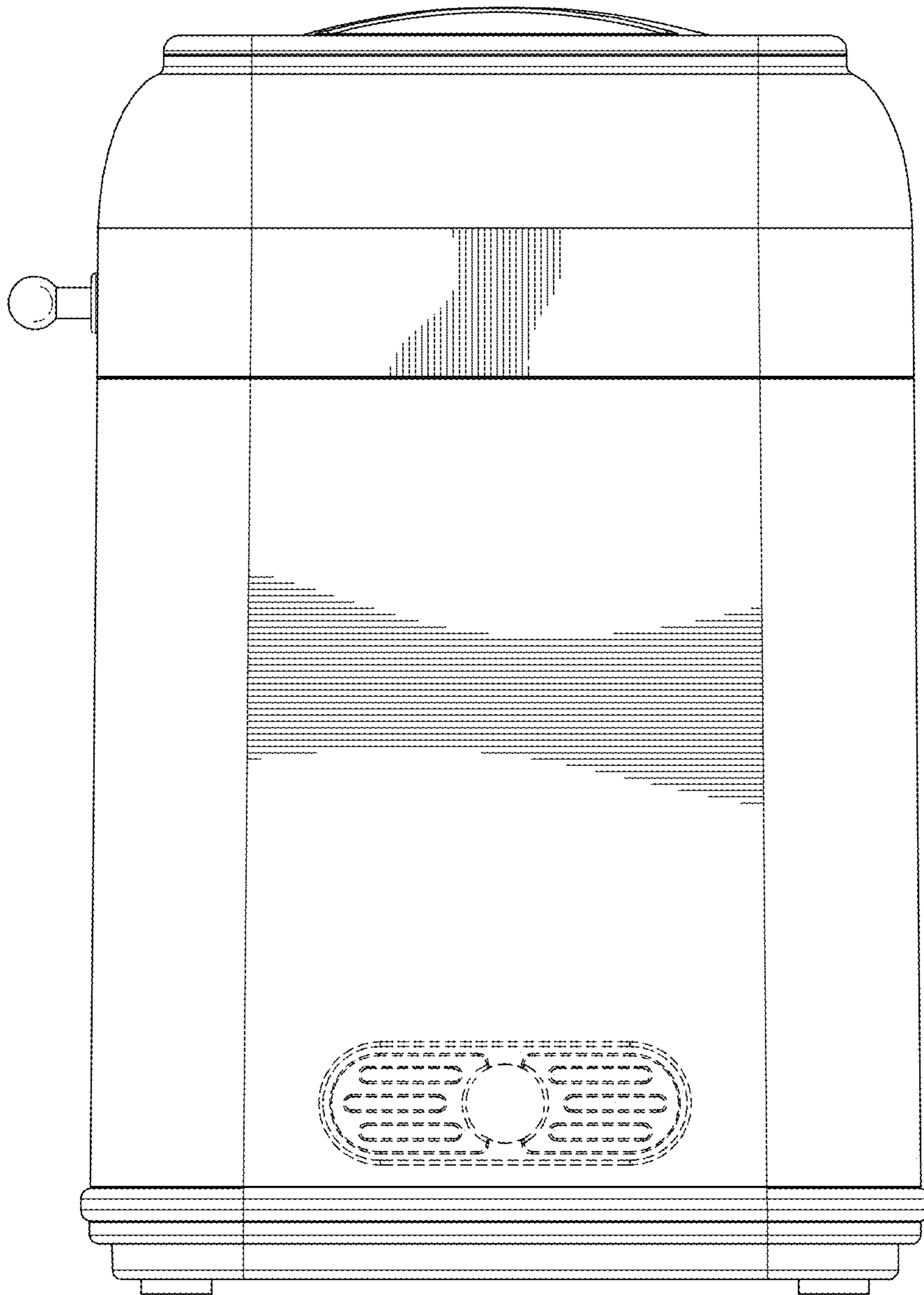
*FIG. 1*



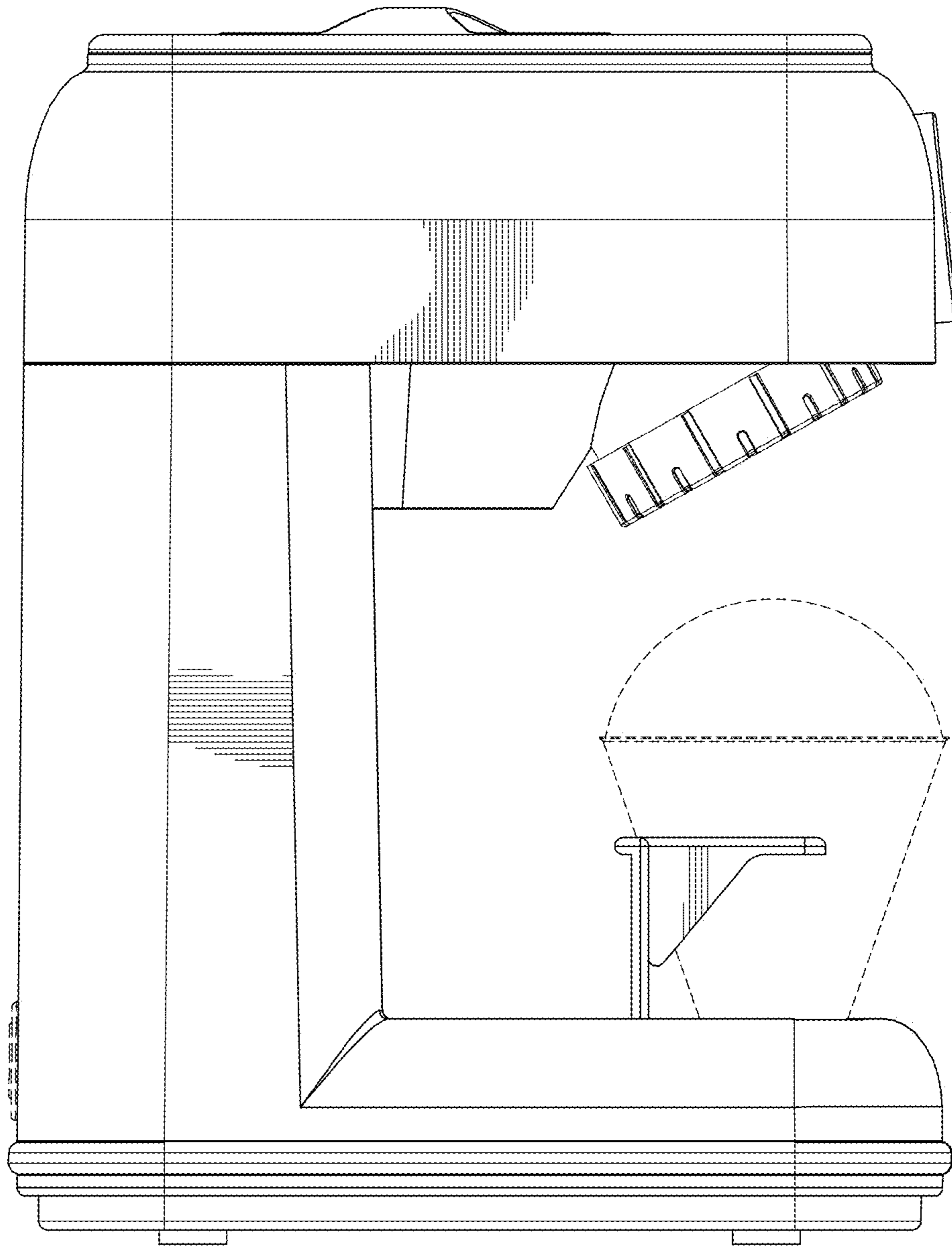




*FIG. 2*



*FIG. 3*



*FIG. 4*

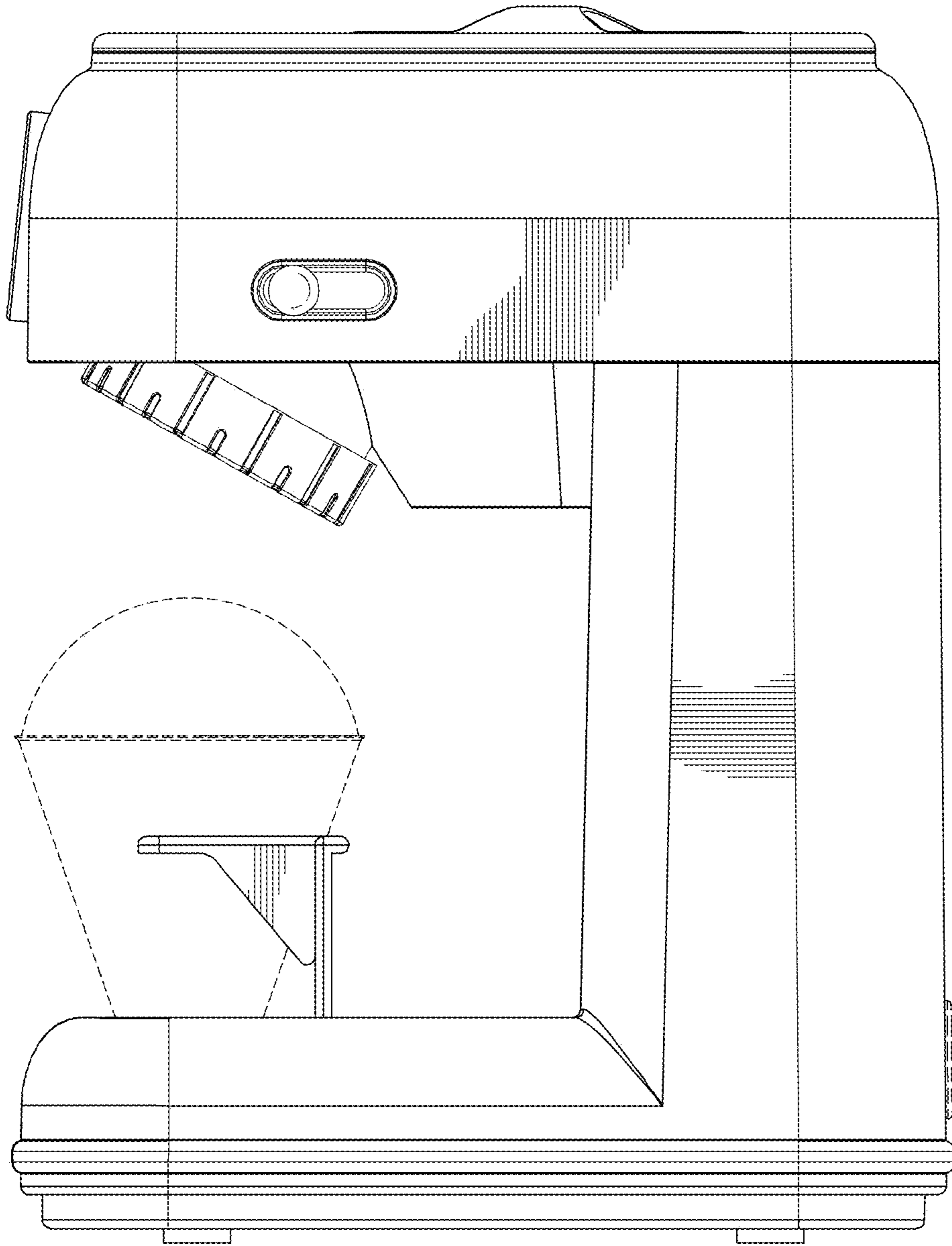
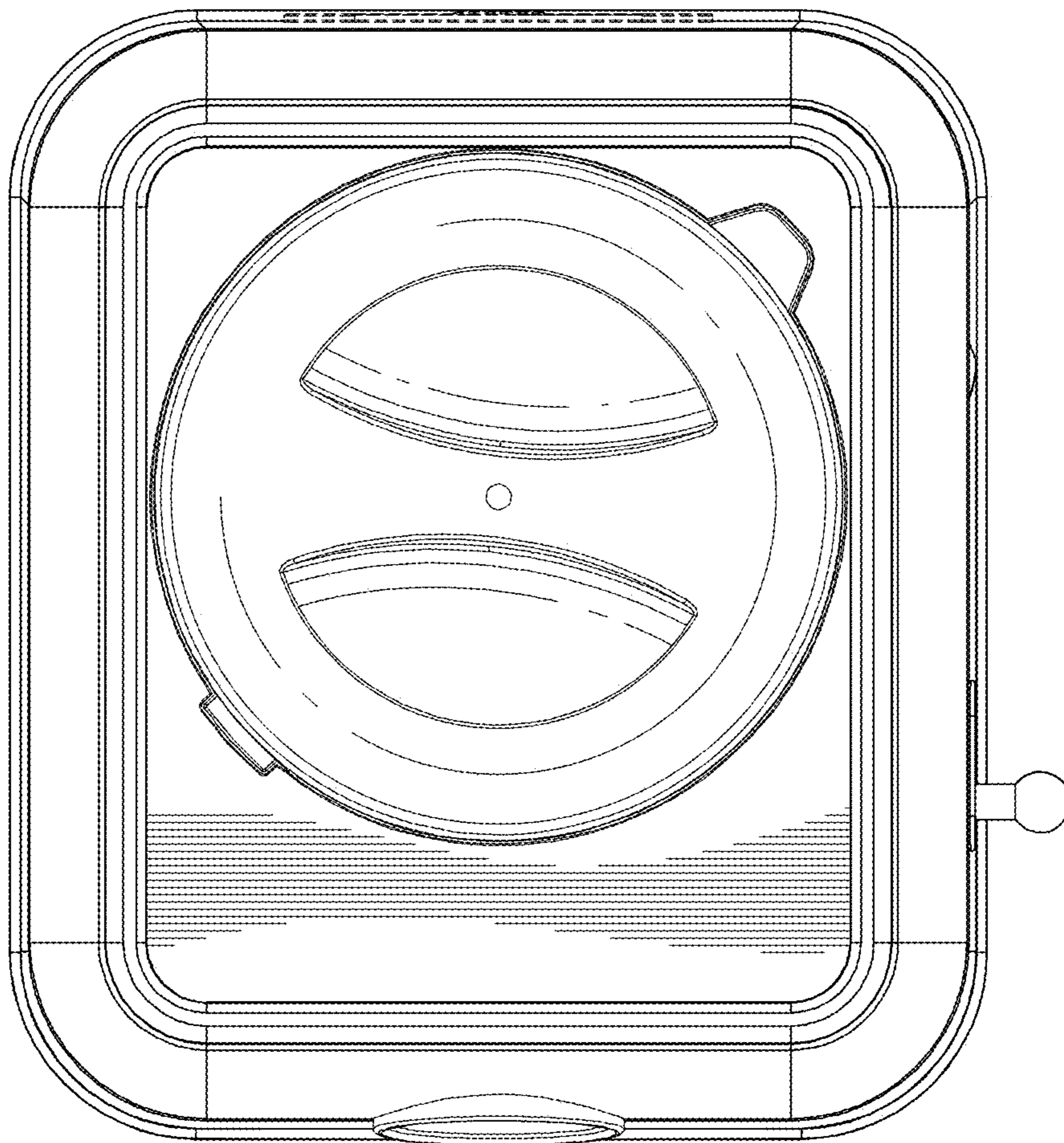
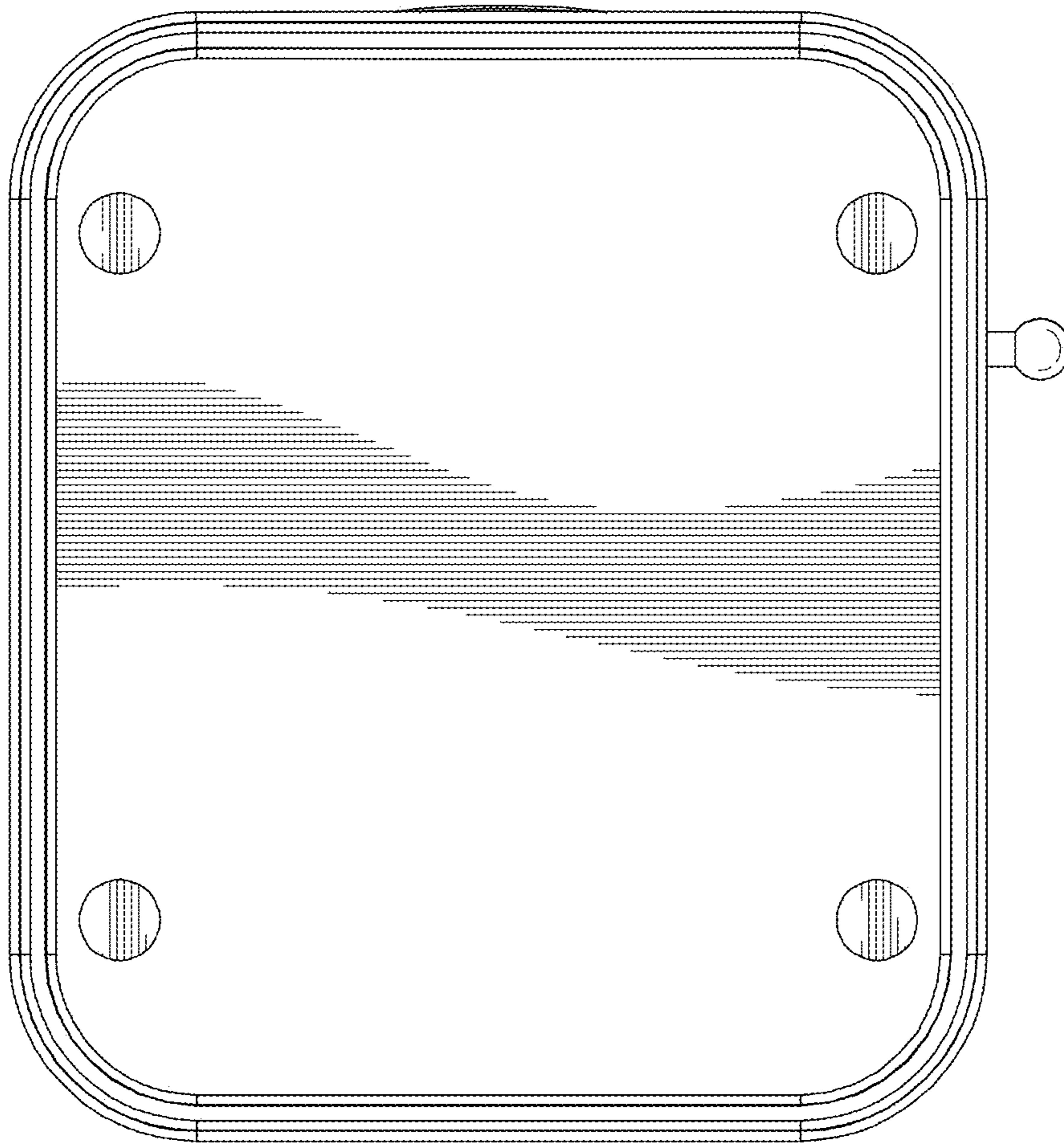


FIG. 5



*FIG. 6*



*FIG. 7*