



US00D896020S

(12) **United States Design Patent**  
**Zhong**

(10) **Patent No.:** **US D896,020 S**

(45) **Date of Patent:** **\*\* Sep. 15, 2020**

(54) **THAW PLATE**

(71) Applicant: **Fanglei Zhong**, Wenzhou (CN)

(72) Inventor: **Fanglei Zhong**, Wenzhou (CN)

(\*\*) Term: **15 Years**

(21) Appl. No.: **29/737,077**

(22) Filed: **Jun. 5, 2020**

(51) **LOC (12) Cl.** ..... **07-99**

(52) **U.S. Cl.**  
USPC ..... **D7/368**

(58) **Field of Classification Search**  
USPC ..... D7/368, 669, 698, 699; D19/113  
CPC ..... A23B 7/045; A23B 7/0433; A23B 7/04;  
A47J 47/005; A47J 27/022; B65D  
81/3897; A23L 3/365; A01N 59/14  
See application file for complete search history.

(56) **References Cited**

U.S. PATENT DOCUMENTS

5,349,899	A *	9/1994	Tominaga	.....	A47J 27/022
					165/185
5,368,093	A *	11/1994	Takehashi	.....	A23L 3/365
					126/400
D367,399	S *	2/1996	Brooks	.....	D7/362
5,713,414	A *	2/1998	Ko	.....	A23B 7/045
					165/185
6,601,642	B1 *	8/2003	Randall	.....	A23L 3/365
					165/185
D503,066	S *	3/2005	Militi	.....	D7/359
D581,207	S *	11/2008	Leavens	.....	D7/359
D719,413	S *	12/2014	Difante	.....	D7/698

D728,991	S *	5/2015	Hasegawa	.....	D7/368
D747,412	S	1/2016	Sachs		
D775,889	S *	1/2017	Burns	.....	D7/368
D785,706	S	5/2017	Hoch et al.		
D792,518	S	7/2017	Sachs		
D812,960	S *	3/2018	Lawson	.....	D7/368
2007/0125357	A1 *	6/2007	Johnston	.....	A47J 37/0713
					126/41 R

\* cited by examiner

*Primary Examiner* — Terry A Wallace

(74) *Attorney, Agent, or Firm* — HYIP

(57) **CLAIM**

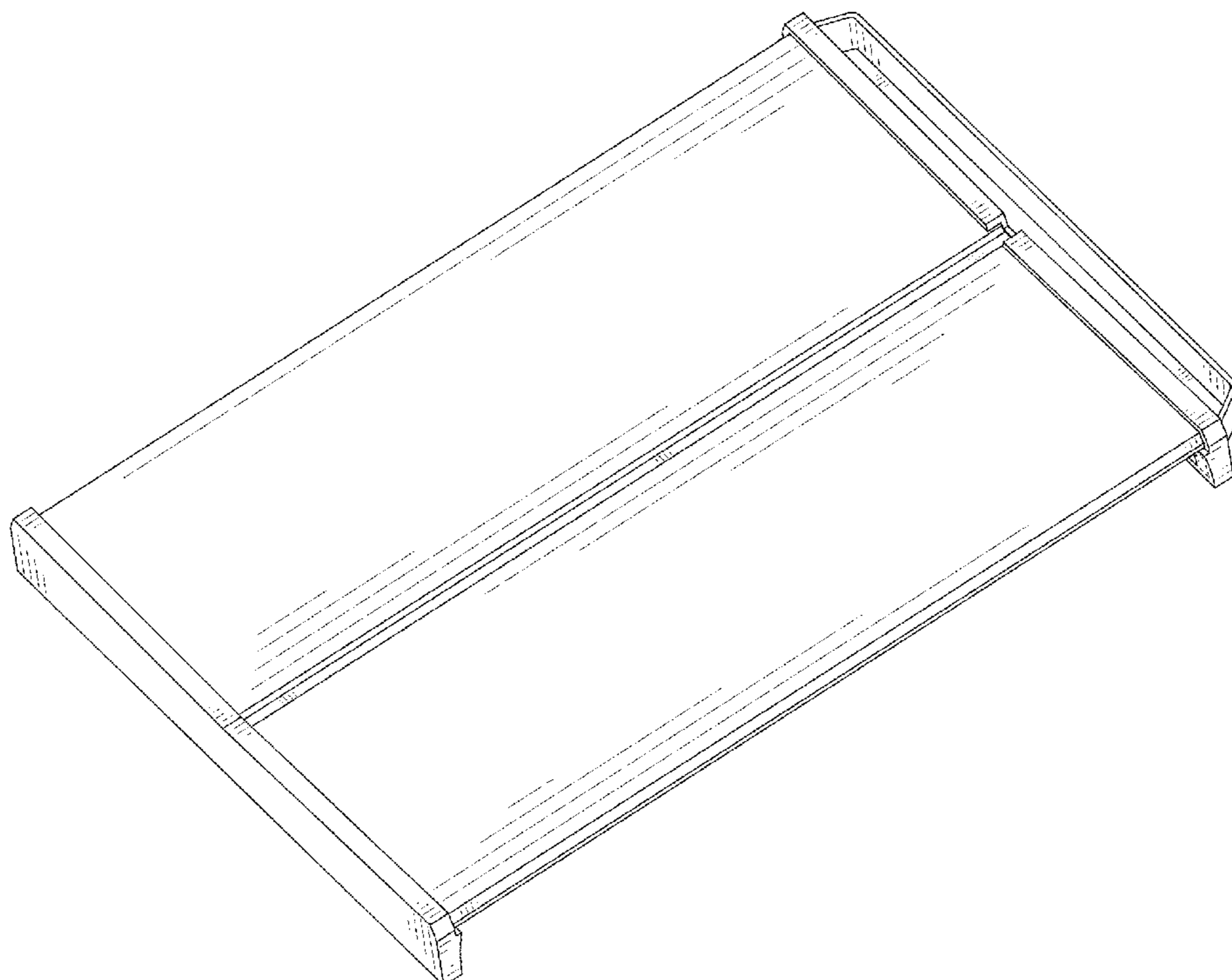
The ornamental design for a thaw plate, as shown and described.

**DESCRIPTION**

FIG. 1 is a first perspective view of a thaw plate showing my new design;  
 FIG. 2 is a second perspective view thereof;  
 FIG. 3 is a front view thereof;  
 FIG. 4 is a back view thereof;  
 FIG. 5 is a left side view thereof;  
 FIG. 6 is a right side view thereof;  
 FIG. 7 is a top view thereof;  
 FIG. 8 is a bottom view thereof;  
 FIG. 9 is sectional view which is taken along line 9-9 in FIG. 4; and,  
 FIG. 10 is an enlarged view of the selected portion in FIG. 2.

The broken lines shown in the drawings depict portions of the thaw plate in which the design is embodied that form no part of the claimed design.

**1 Claim, 10 Drawing Sheets**



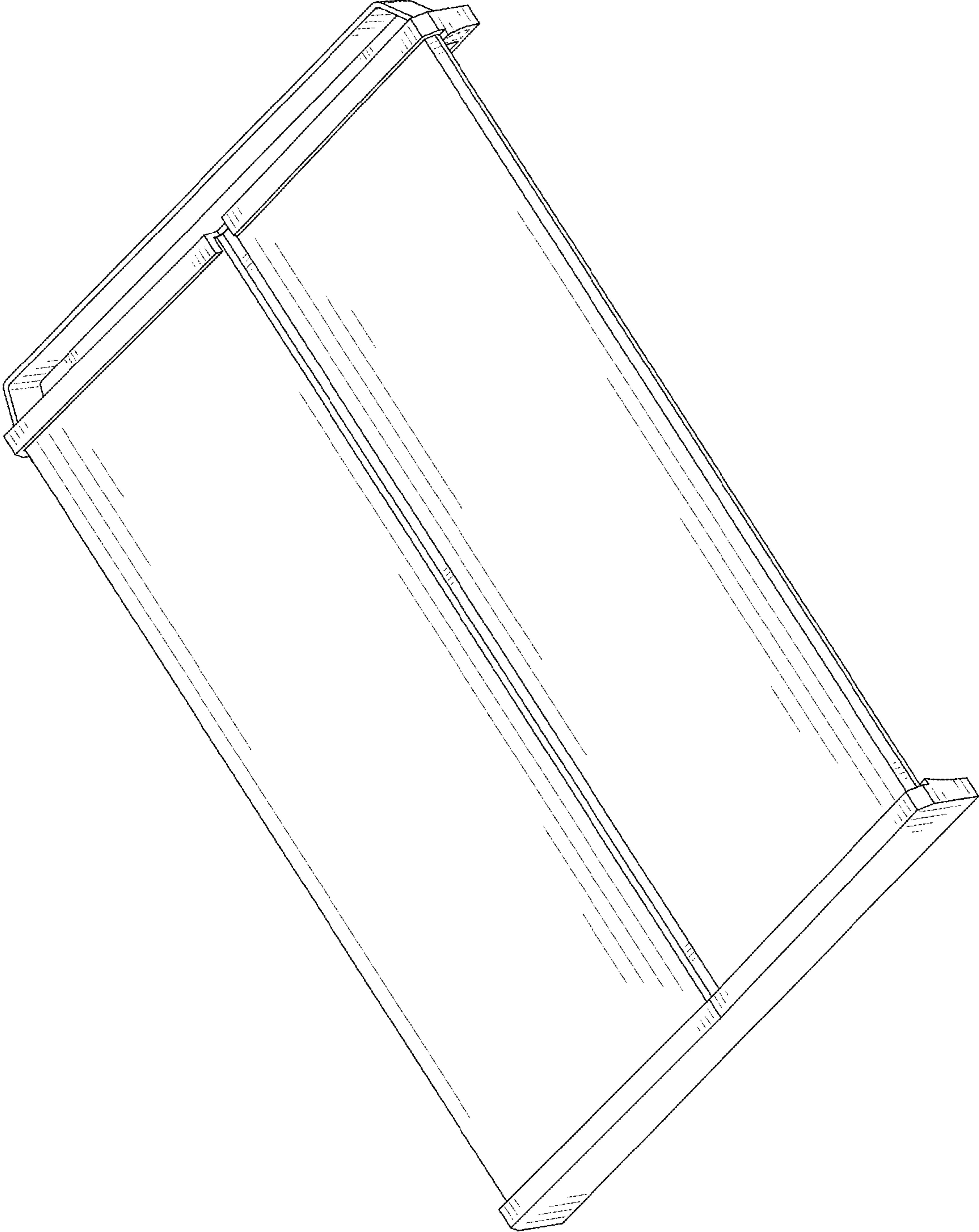


FIG. 1



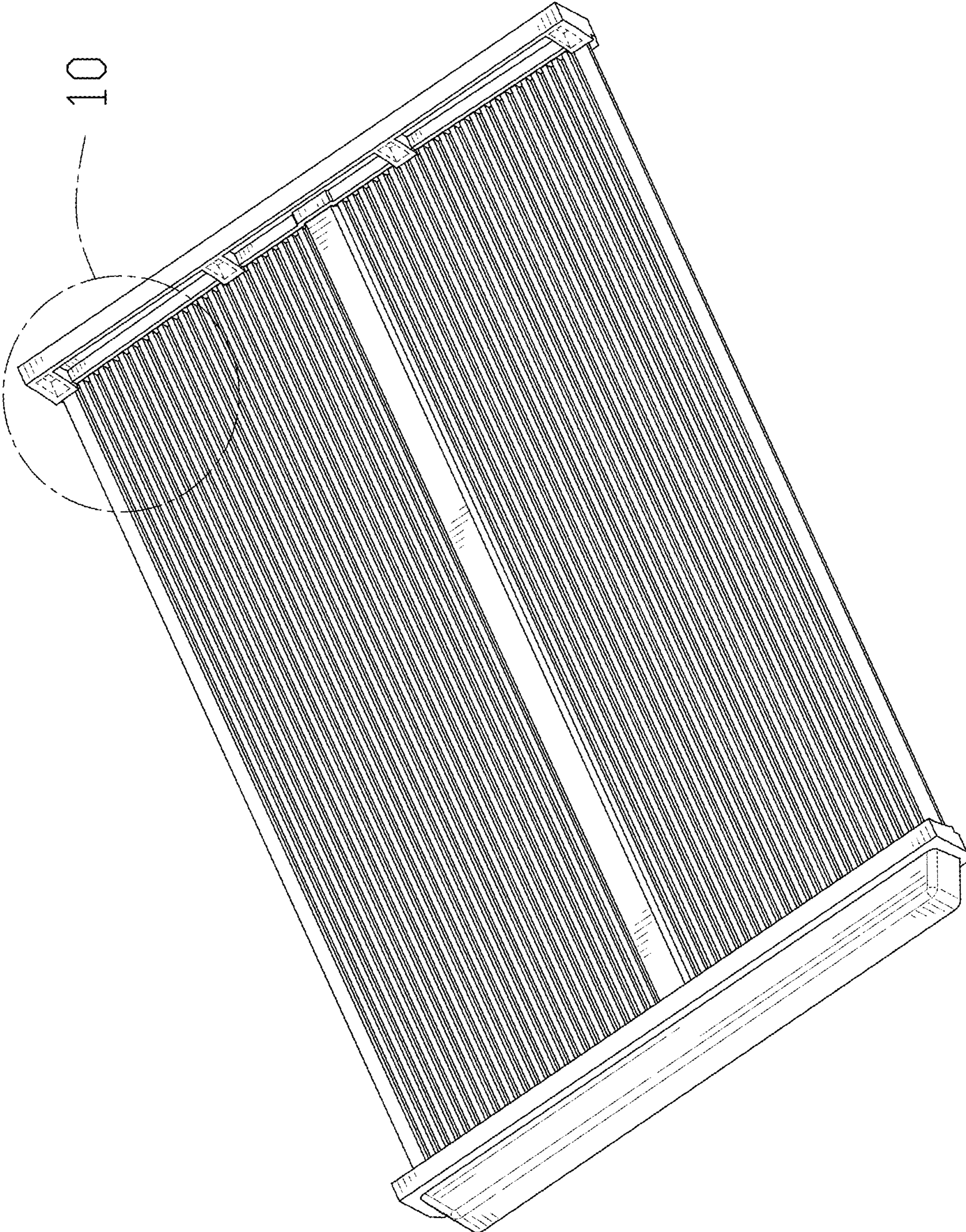


FIG. 2



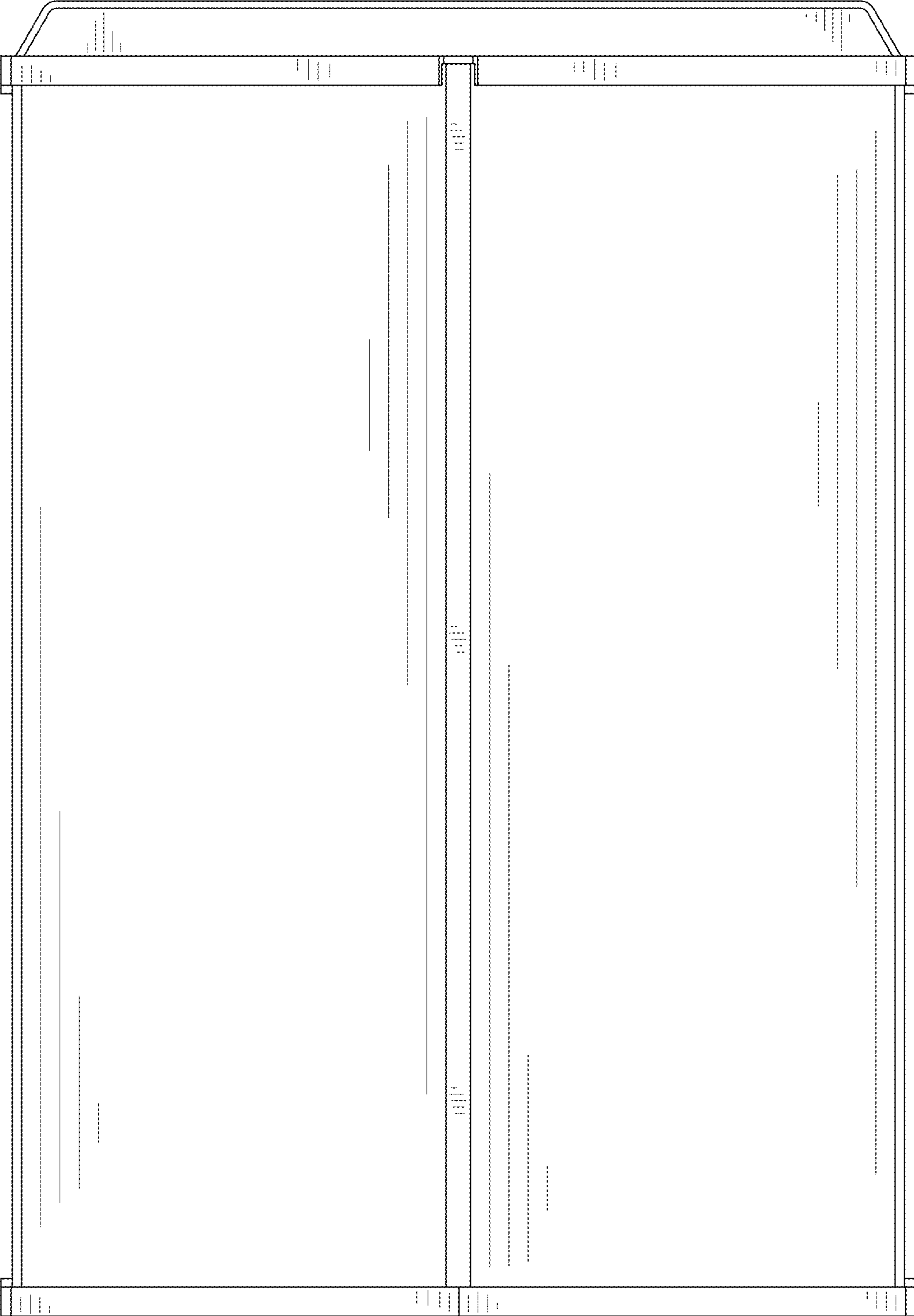


FIG. 3

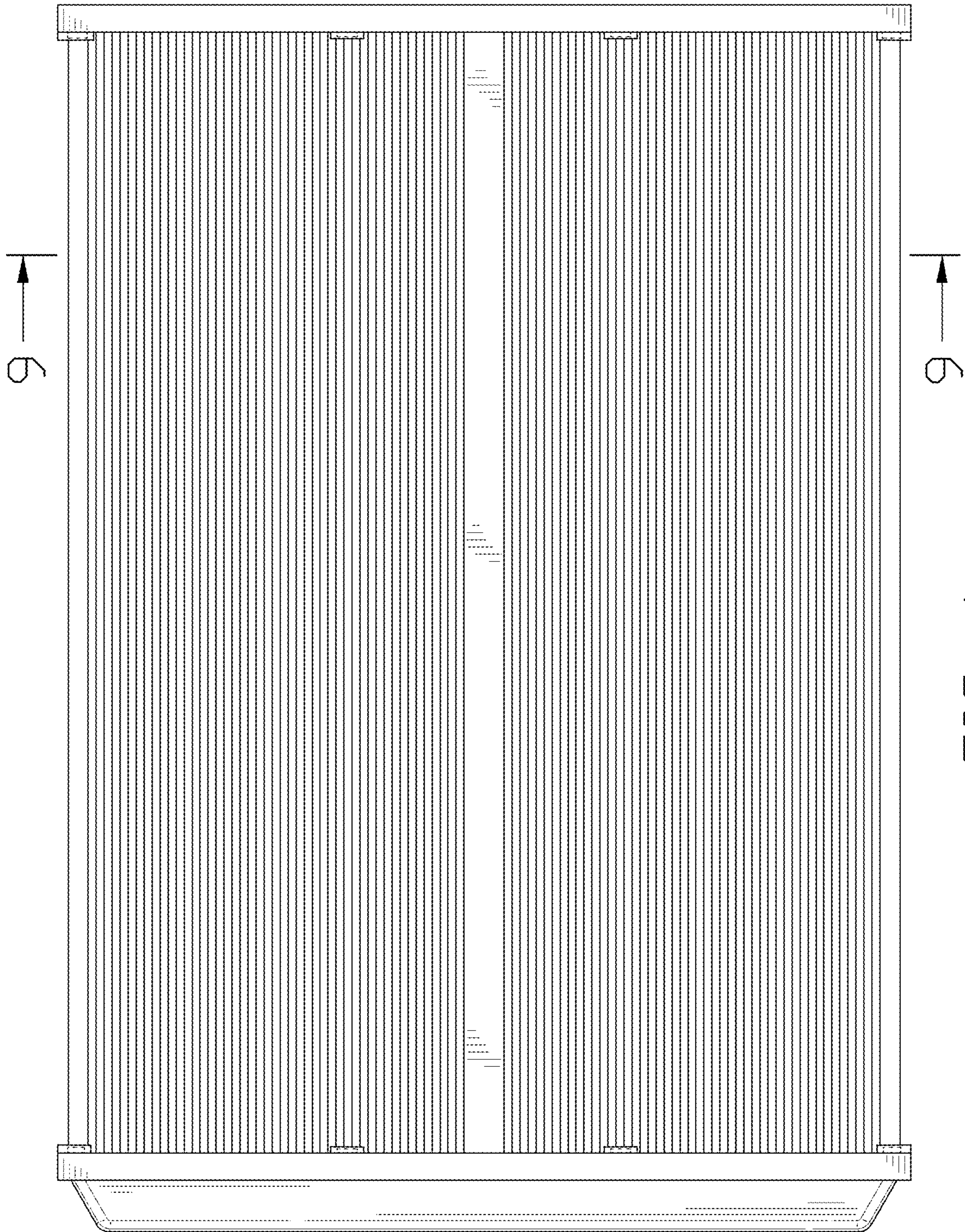


FIG. 4

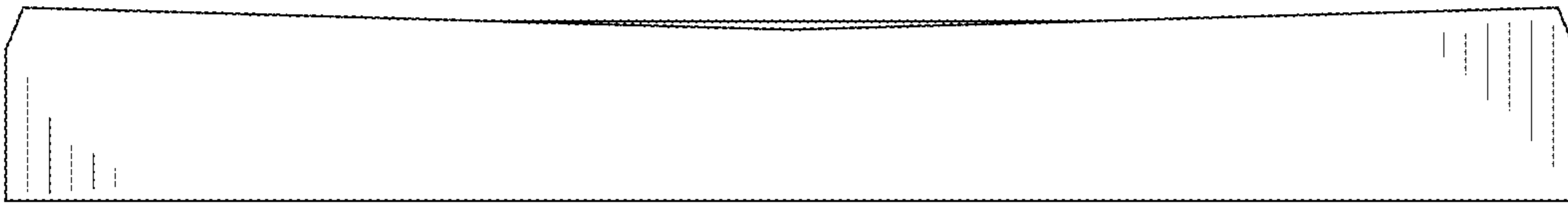


FIG. 5

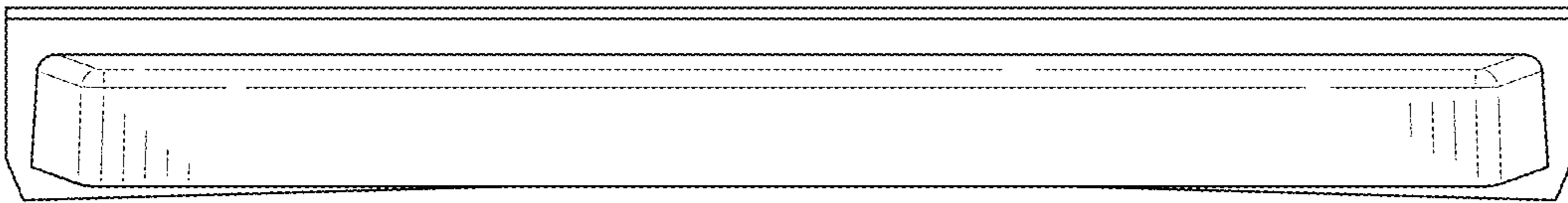


FIG. 6

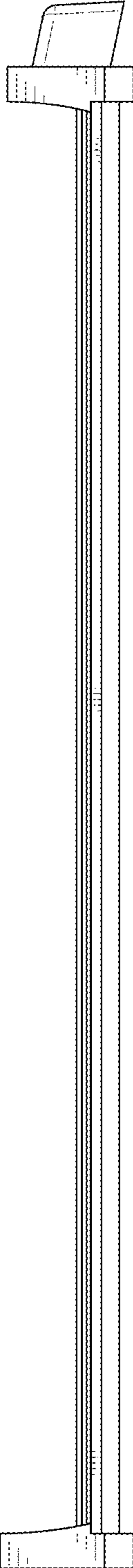


FIG. 7



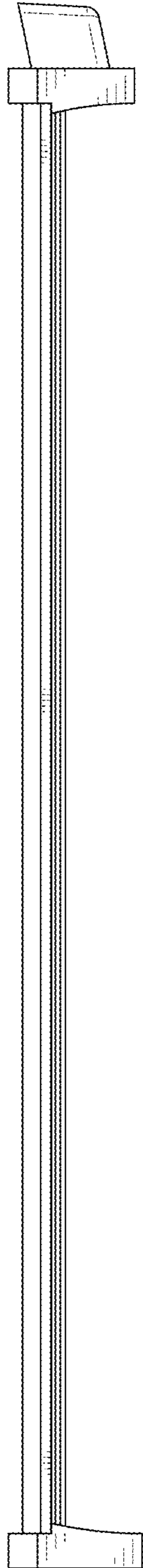


FIG. 8

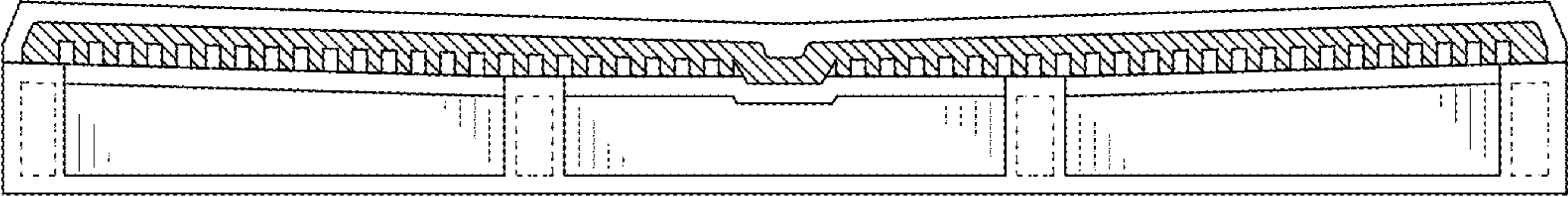


FIG. 9

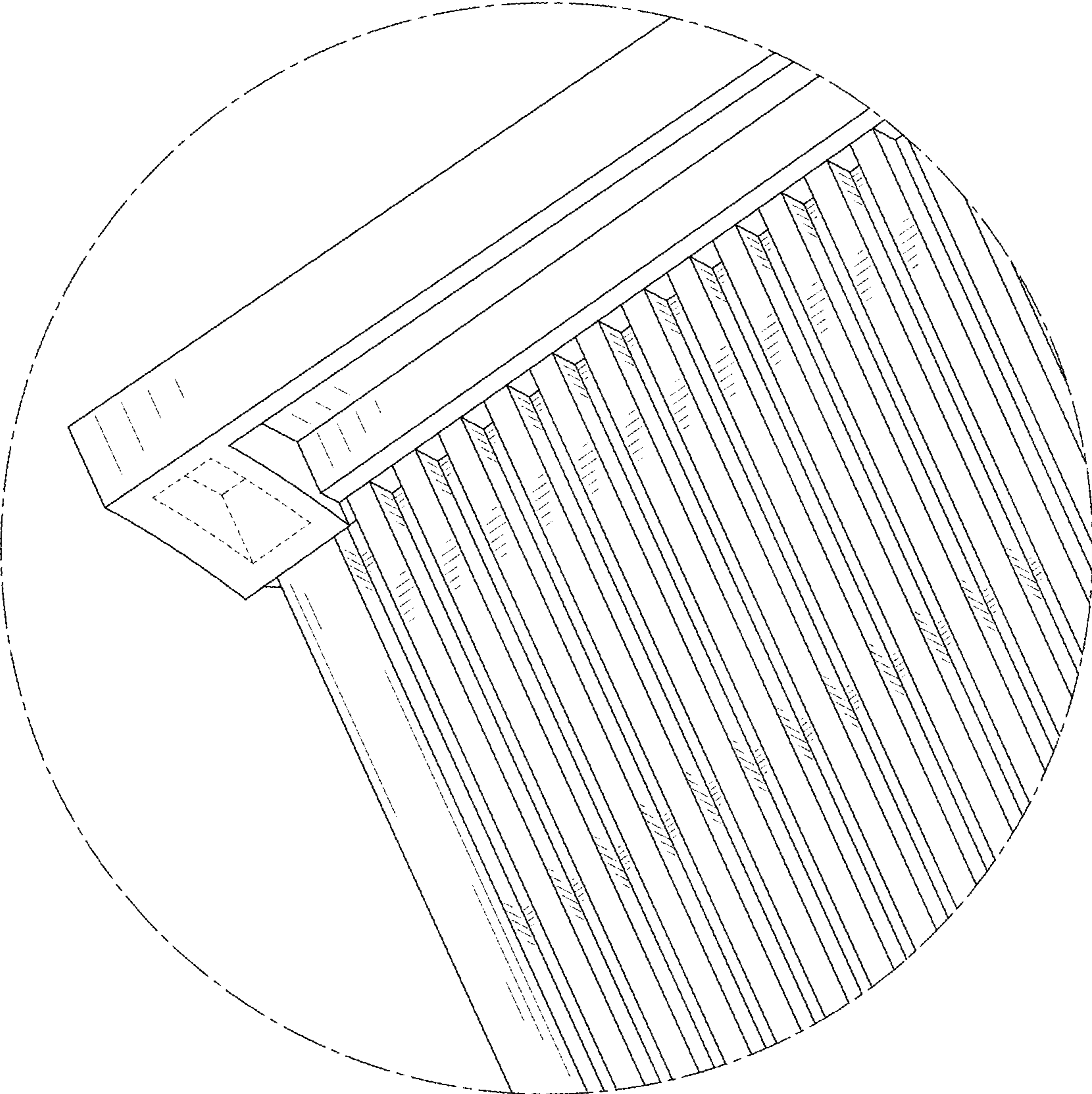


FIG. 10