



US00D896019S

(12) **United States Design Patent**
Musanta et al.

(10) **Patent No.:** **US D896,019 S**
(45) **Date of Patent:** **** Sep. 15, 2020**

(54) **AIR FRY OVEN**

(71) Applicant: **Hamilton Beach Brands, Inc.**, Glen Allen, VA (US)
(72) Inventors: **Lynda Musanta**, Midlothian, VA (US); **David Yang**, Henrico, VA (US); **Dean Warner**, Glen Allen, VA (US); **Paul Blankenship**, Glen Allen, VA (US); **Seth A Lichtman**, Glen Allen, VA (US)

(73) Assignee: **Hamilton Beach Brands, Inc.**, Glen Allen, VA (US)

(**) Term: **15 Years**

(21) Appl. No.: **29/681,819**

(22) Filed: **Feb. 28, 2019**

(51) **LOC (12) Cl.** **07-02**

(52) **U.S. Cl.**
USPC **D7/354**

(58) **Field of Classification Search**
USPC D7/323, 330, 331, 334, 338, 339, 340, D7/341, 347, 348, 349, 350.1, 350.3, D7/350.4, 351, 362, 363, 364, 365, 390, D7/402-407; D23/314, 322, 323, 329, D23/330, 335, 341; D99/28, 43; D15/122, 138, 141, 144, 199; D8/311, D8/312, 315, 316, 333, 334; D3/203.1; D6/672, 675, 702, 703, 559, 663, 705.5; D21/523, 524, 525, 561
CPC . H05B 6/12; H05B 6/64; H05B 6/806; H05B 6/6426; H05B 6/6412; A21B 1/52; A21B 1/00; A47J 37/00; A47J 37/0763; A47J 37/36; F24C 15/08; F24C 15/2024; F27D 9/00; F27D 2009/0018; F27D 2009/004; F27B 2014/0837; F23D 14/02
See application file for complete search history.

(56) **References Cited**

U.S. PATENT DOCUMENTS

D248,008 S * 5/1978 Wojtowicz D7/351
D260,104 S * 8/1981 Klawitter D21/524

D297,296 S * 8/1988 Feil D7/350.4
D303,691 S * 9/1989 Wehmeyer D21/524
D330,144 S * 10/1992 Takebata D7/351
D525,477 S * 7/2006 Kim D7/351
D526,527 S * 8/2006 Jung D7/348
D527,572 S * 9/2006 Lee D7/350.1
D530,561 S * 10/2006 Kim D7/351
D534,035 S * 12/2006 Huxhold D7/405
D539,593 S * 4/2007 Wang D7/350.4

(Continued)

FOREIGN PATENT DOCUMENTS

WO WO-2017177890 A1 * 10/2017 F24C 15/2042

OTHER PUBLICATIONS

Hamilton Beach Air Fry Countertop Oven: Site Visited [Mar. 2, 2020, Online]. Available from Internet URL: <https://www.hamiltonbeach.com/air-fry-countertop-oven-31225>.*

Primary Examiner — Catherine S Posthauer
(74) *Attorney, Agent, or Firm* — Alexander D. Raring

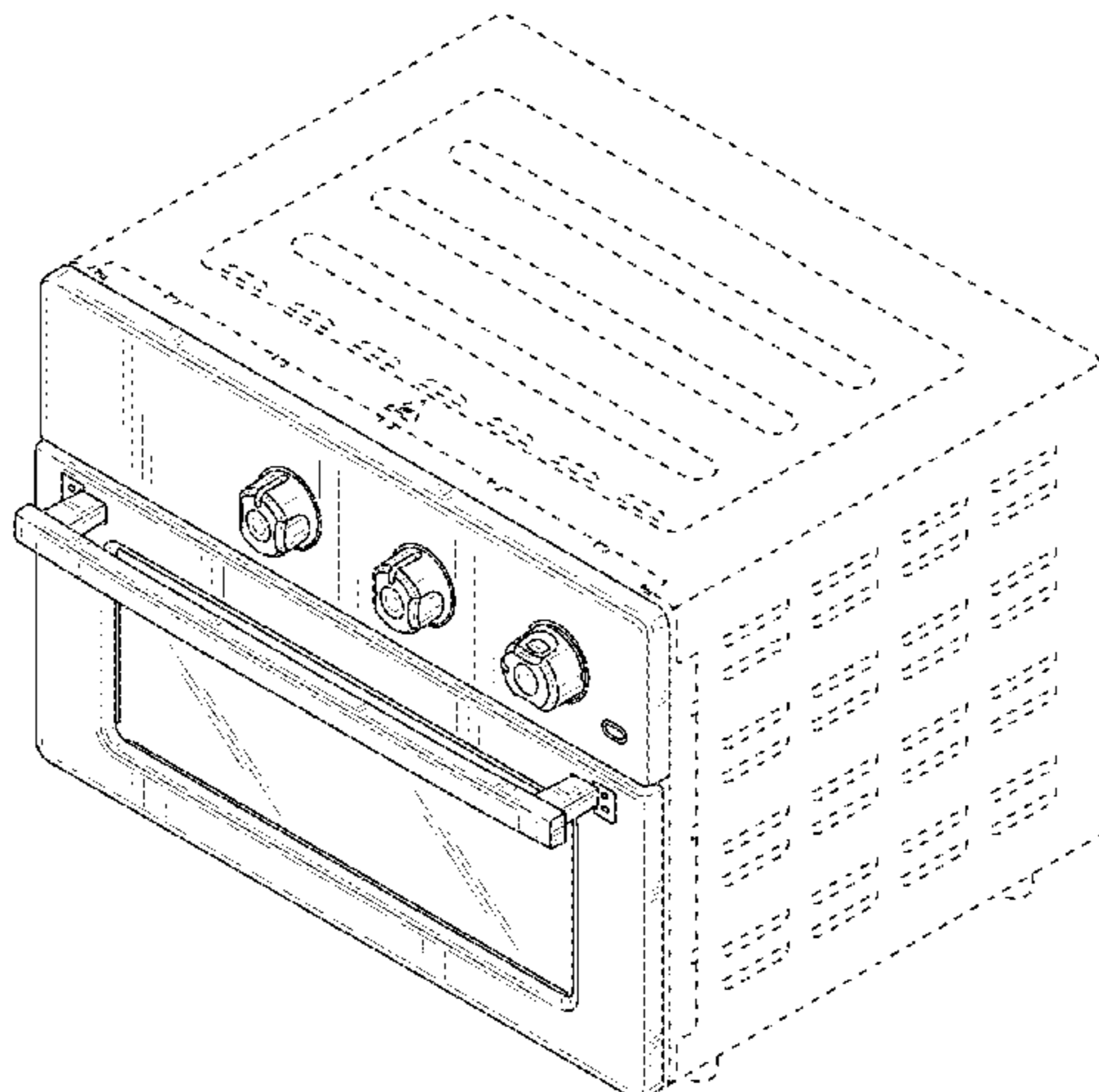
(57) **CLAIM**

The ornamental design for an air fry oven, as shown and described.

DESCRIPTION

FIG. 1 is a top, front, and right side perspective view of an air fry oven, showing our new design;
FIG. 2 a front view thereof;
FIG. 3 is a rear view thereof;
FIG. 4 is a right side view thereof;
FIG. 5 is a left side view thereof;
FIG. 6 is a top plan view thereof; and,
FIG. 7 is a bottom plan view thereof.
The broken lines are shown for the purpose of illustrating parts of the article that form no part of the claim.

1 Claim, 7 Drawing Sheets



(56)

References Cited

U.S. PATENT DOCUMENTS

D541,578	S	*	5/2007	Jeon	D7/350.1
D550,502	S	*	9/2007	Jeon	D7/350.1
D569,178	S	*	5/2008	Crookshanks	D7/405
D580,698	S	*	11/2008	Kim	D7/348
D582,211	S	*	12/2008	Green	D7/405
D633,336	S	*	3/2011	Sadtler	D7/405
D646,112	S	*	10/2011	Park	D7/348
D646,113	S	*	10/2011	Park	D7/348
D654,299	S	*	2/2012	Benold	D7/350.1
D655,970	S	*	3/2012	De' Longhi	D7/351
D664,388	S	*	7/2012	Park	D7/348
D708,005	S	*	7/2014	Kurt	D7/350.4
D748,424	S	*	2/2016	Funnell, II	D7/348
D750,414	S	*	3/2016	Funnell, II	D7/348
D770,839	S	*	11/2016	Shoemaker	D7/348
D815,485	S	*	4/2018	Suehiro	D7/350.1
D827,359	S	*	9/2018	Kim	D7/346
D835,449	S	*	12/2018	Chavez	D7/346
D848,197	S	*	5/2019	Wong	D7/350.4
D858,172	S	*	9/2019	Moore	D7/348

* cited by examiner

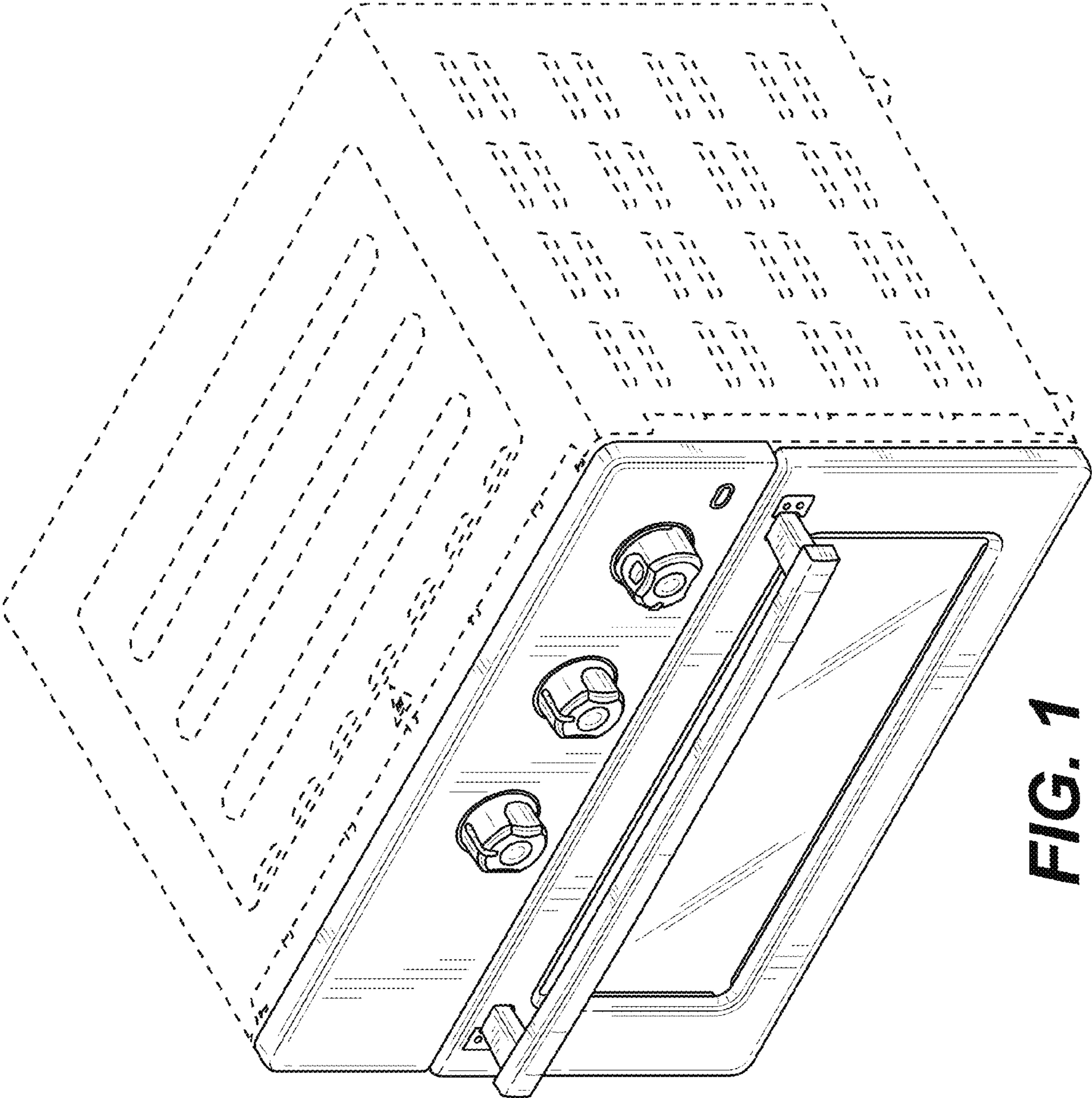


FIG. 1

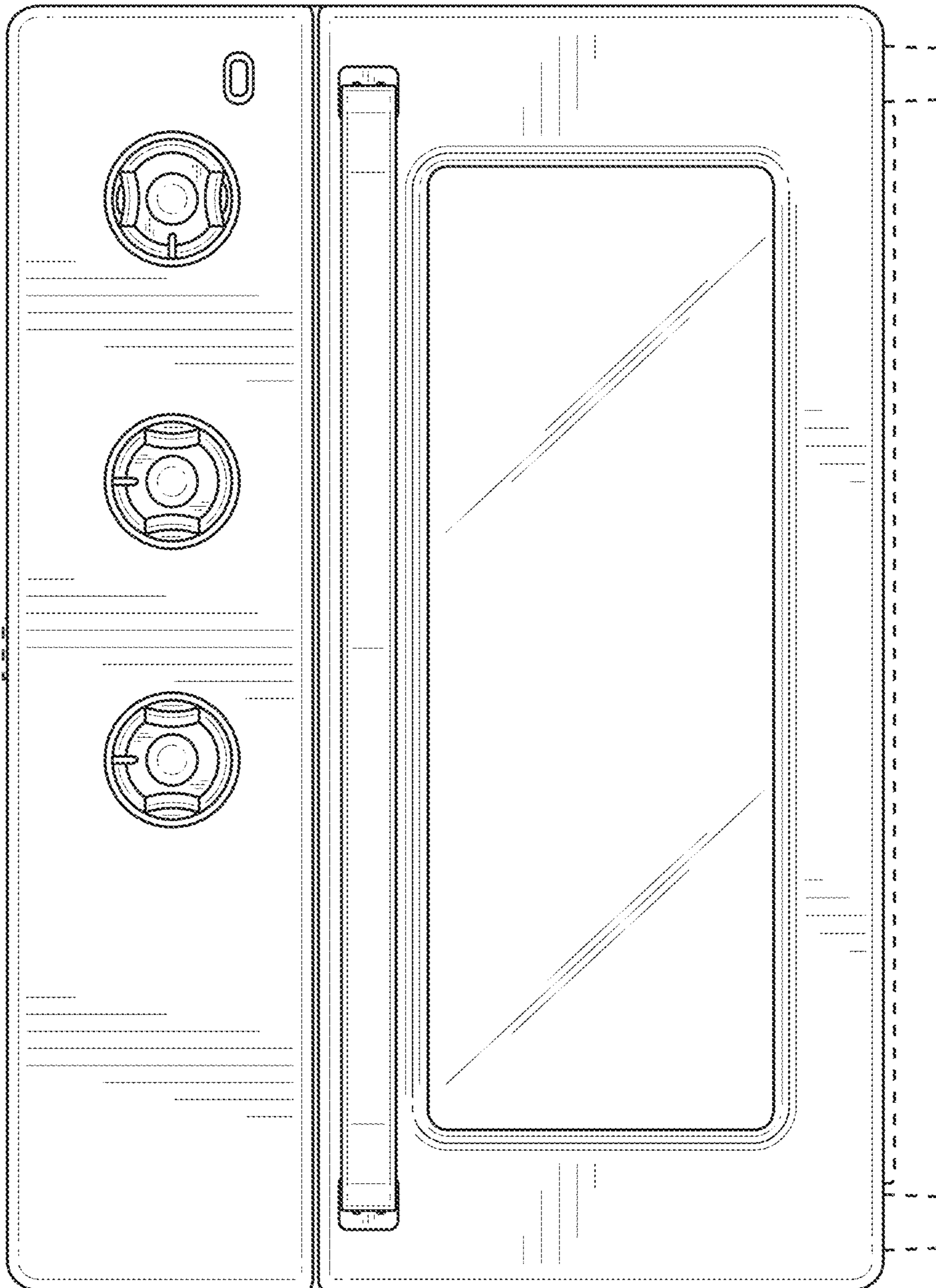


FIG. 2

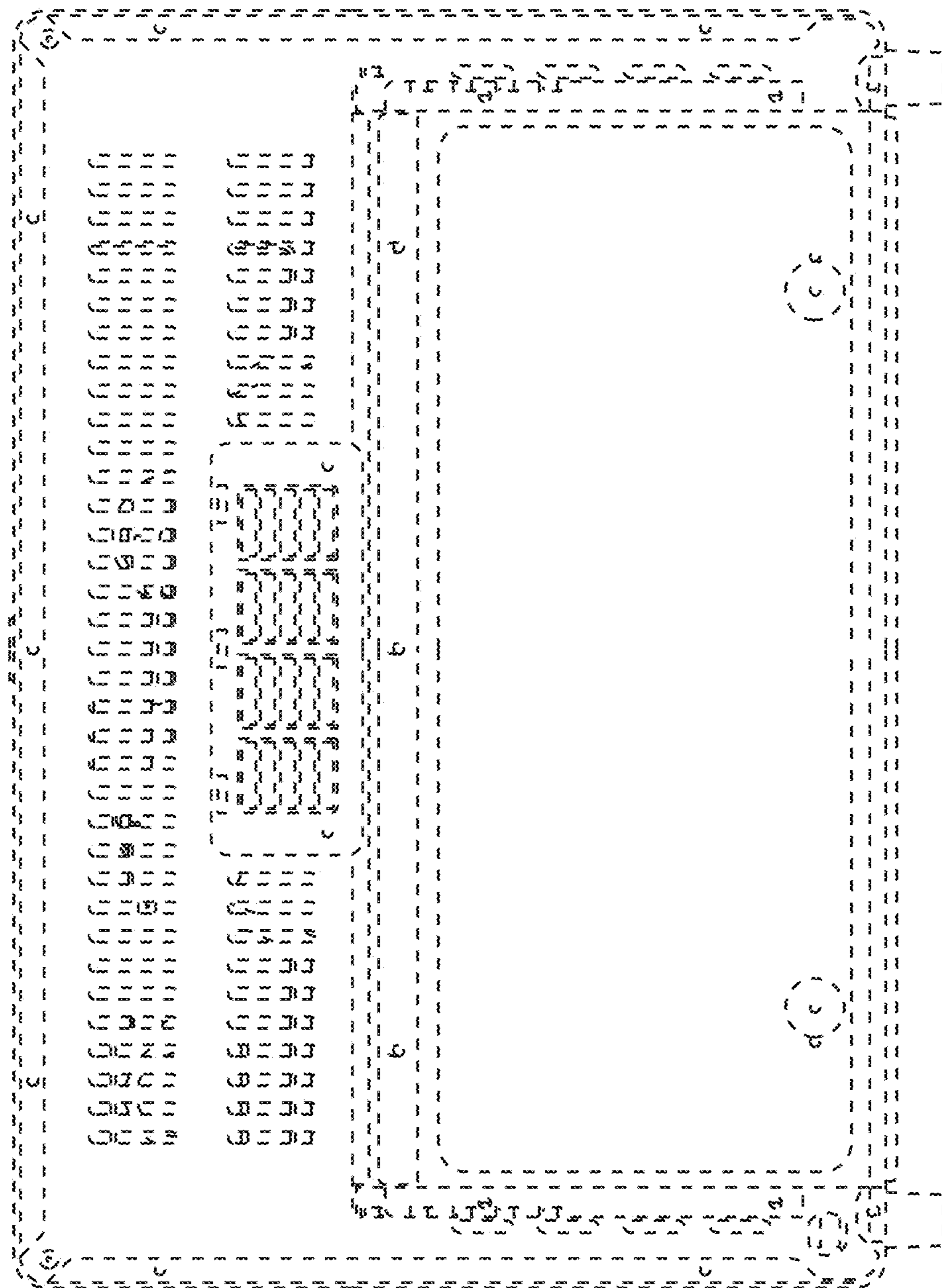


FIG. 3

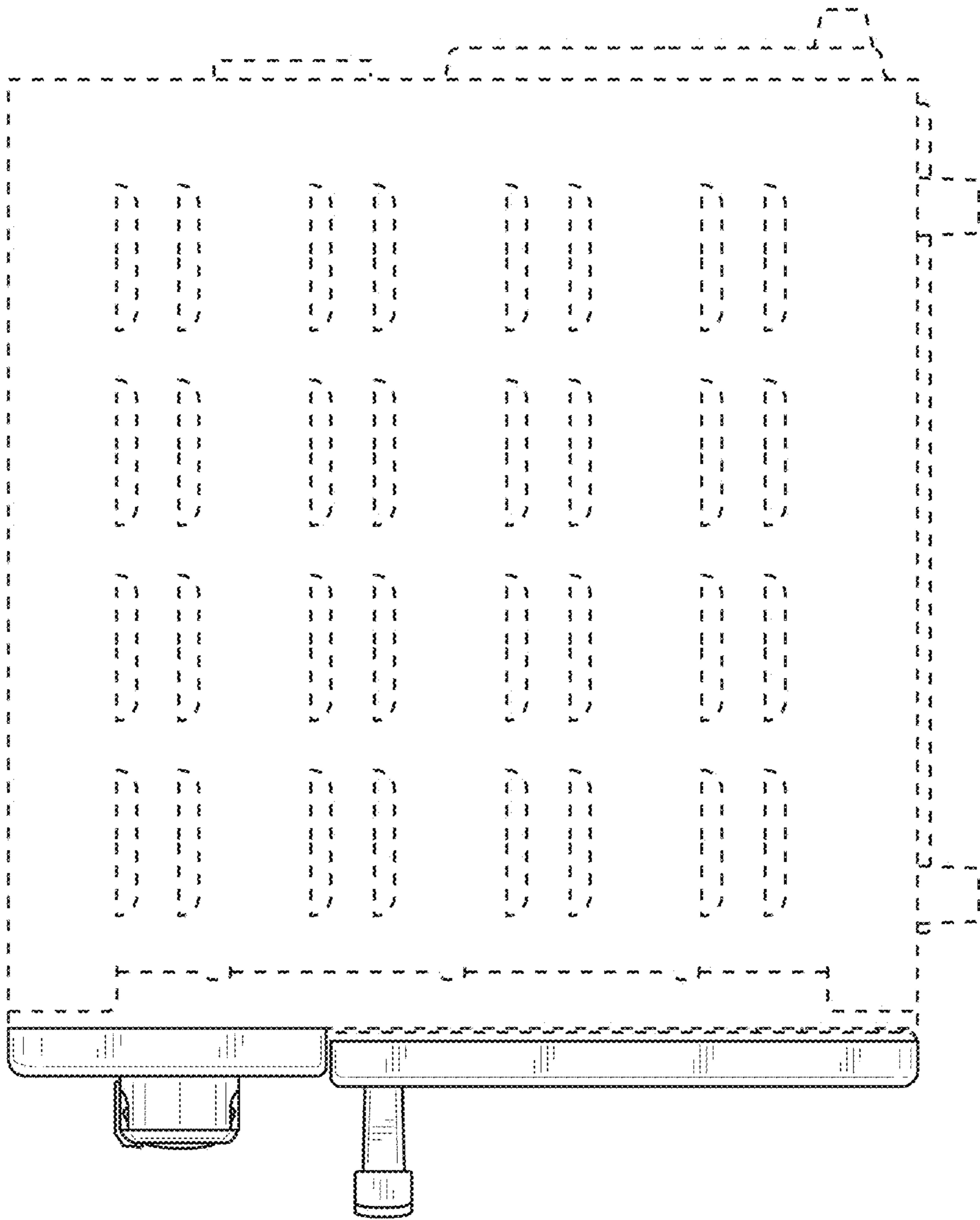


FIG. 4

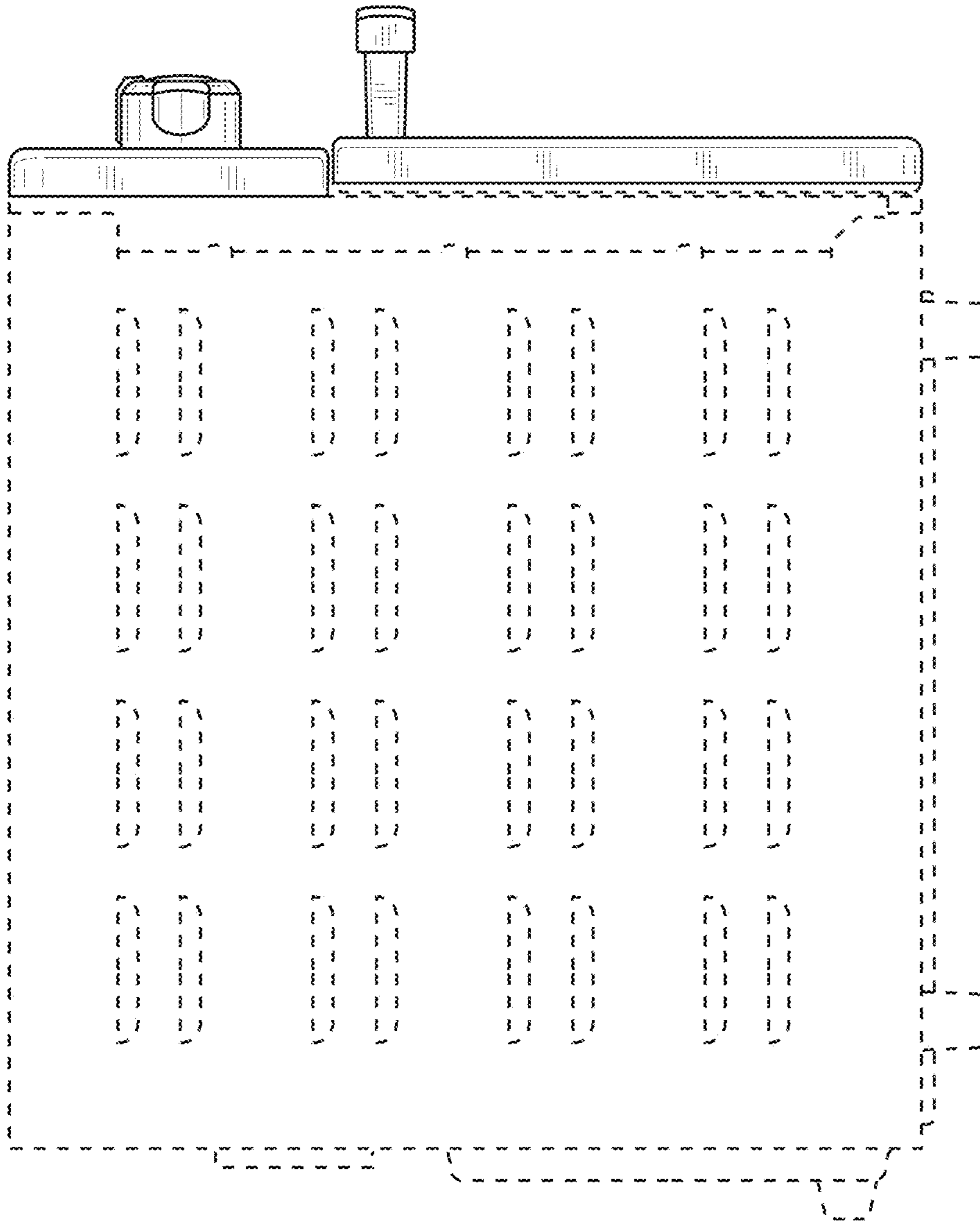


FIG. 5

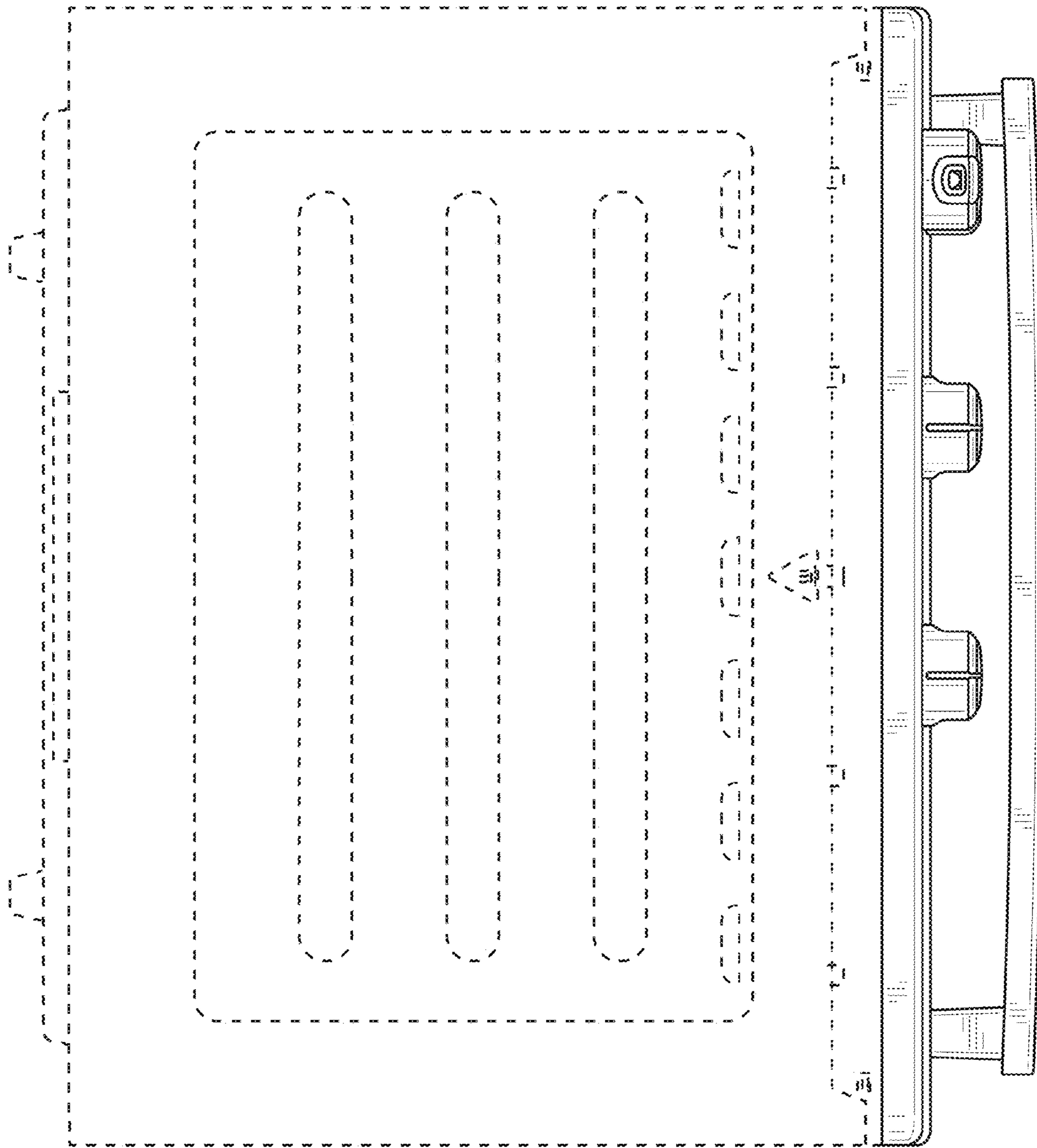


FIG. 6

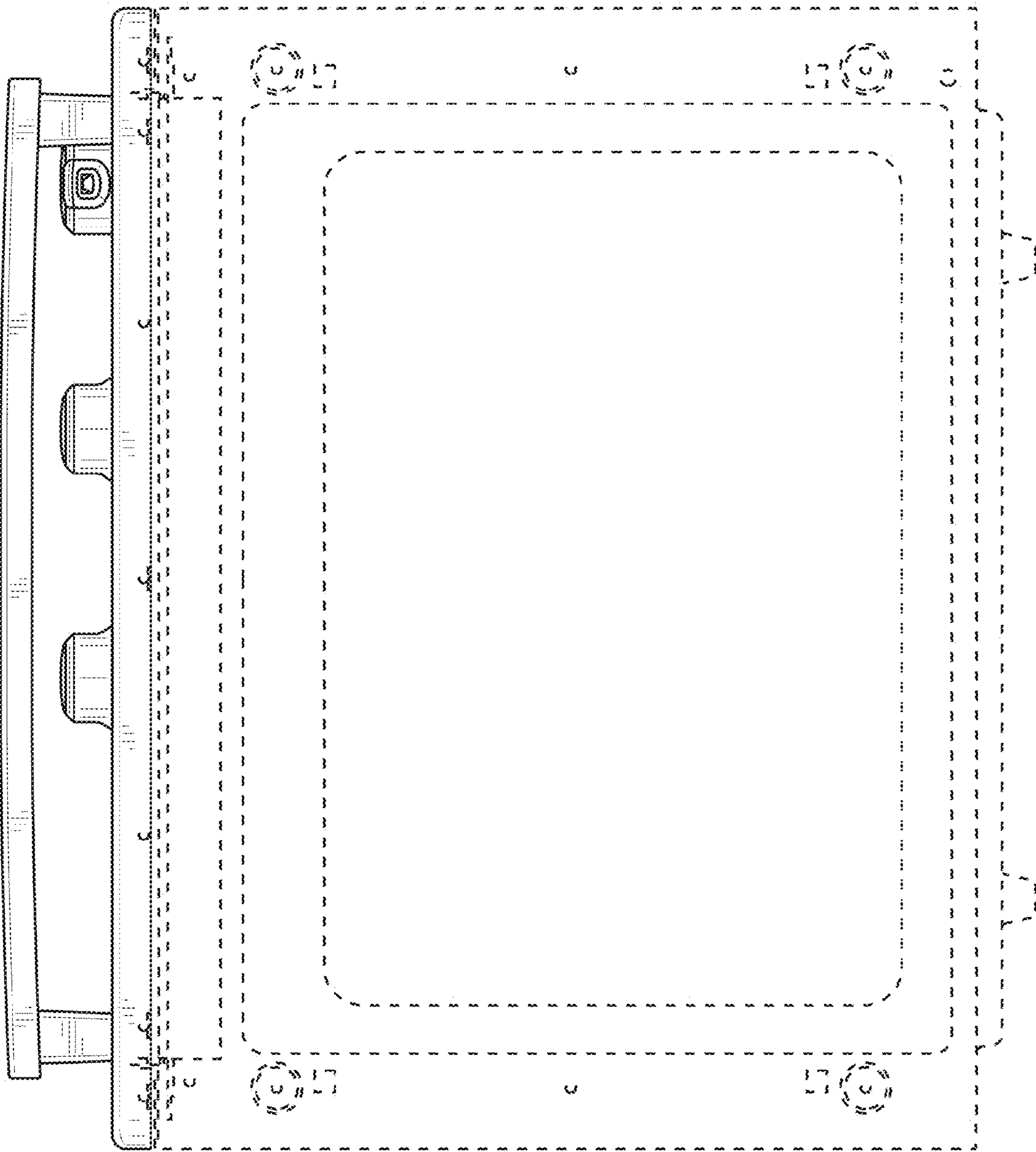


FIG. 7