



US00D896018S

(12) **United States Design Patent**
Harrell et al.

(10) **Patent No.:** **US D896,018 S**
(45) **Date of Patent:** **** Sep. 15, 2020**

- (54) **STOVE**
- (71) Applicant: **Dometic Sweden AB**, Solna (SE)
- (72) Inventors: **Dustin Harrell**, Goodlettsville, TN (US); **Samuele Meda**, Solna (SE); **Kristoffer Olsson**, Stockholm (SE)
- (73) Assignee: **Dometic Sweden AB**, Solna (SE)
- (**) Term: **15 Years**
- (21) Appl. No.: **29/690,324**
- (22) Filed: **May 7, 2019**

Related U.S. Application Data

- (62) Division of application No. 29/627,084, filed on Nov. 22, 2017, now Pat. No. Des. 874,209.
- (51) **LOC (12) Cl.** **07-02**
- (52) **U.S. Cl.**
USPC **D7/346**; D7/339; D7/340
- (58) **Field of Classification Search**
USPC D7/323, 328-330, 339-349, 362, 390, D7/402-408; D8/300-306
CPC ... A21B 2/00; A47J 37/00; A47J 37/06; A47J 37/0611; A47J 37/08; A47J 37/0807; A47J 37/0814; A47J 37/0835; A47J 37/0842; A47J 37/085; A47J 37/0864; A47J 37/0878; A47J 37/0885; A47J 37/0892; B60N 3/16; F24C 7/00; F24C 7/002; F24C 7/046; F24C 7/067; F24C 15/02; F24C 15/04; F24C 15/10; F24C 15/102; F24C 15/2042
See application file for complete search history.

(56) **References Cited**

U.S. PATENT DOCUMENTS

- 3,142,295 A 7/1964 Blee
- 5,119,802 A 6/1992 Cherry et al.

- D343,336 S 1/1994 Falk
- D369,062 S 4/1996 Holbrook, Jr.
- D392,502 S 3/1998 Ashcraft et al.
- D393,774 S 4/1998 Ashcraft et al.
- 5,931,151 A 8/1999 Van Dore et al.
- 6,257,228 B1 7/2001 Braccini
- D479,781 S 9/2003 Pottenger et al.
- D479,942 S 9/2003 Pottenger et al.
- D480,261 S 10/2003 Pottenger et al.
- D495,202 S 8/2004 Becker et al.
- D510,227 S 10/2005 Baldwin

(Continued)

FOREIGN PATENT DOCUMENTS

- CN 304863114 S 10/2018

OTHER PUBLICATIONS

Design U.S. Appl. No. 29/690,322, filed May 7, 2019 entitled "Stove".

(Continued)

Primary Examiner — Ricky Pham

(74) *Attorney, Agent, or Firm* — Middleton Reutlinger

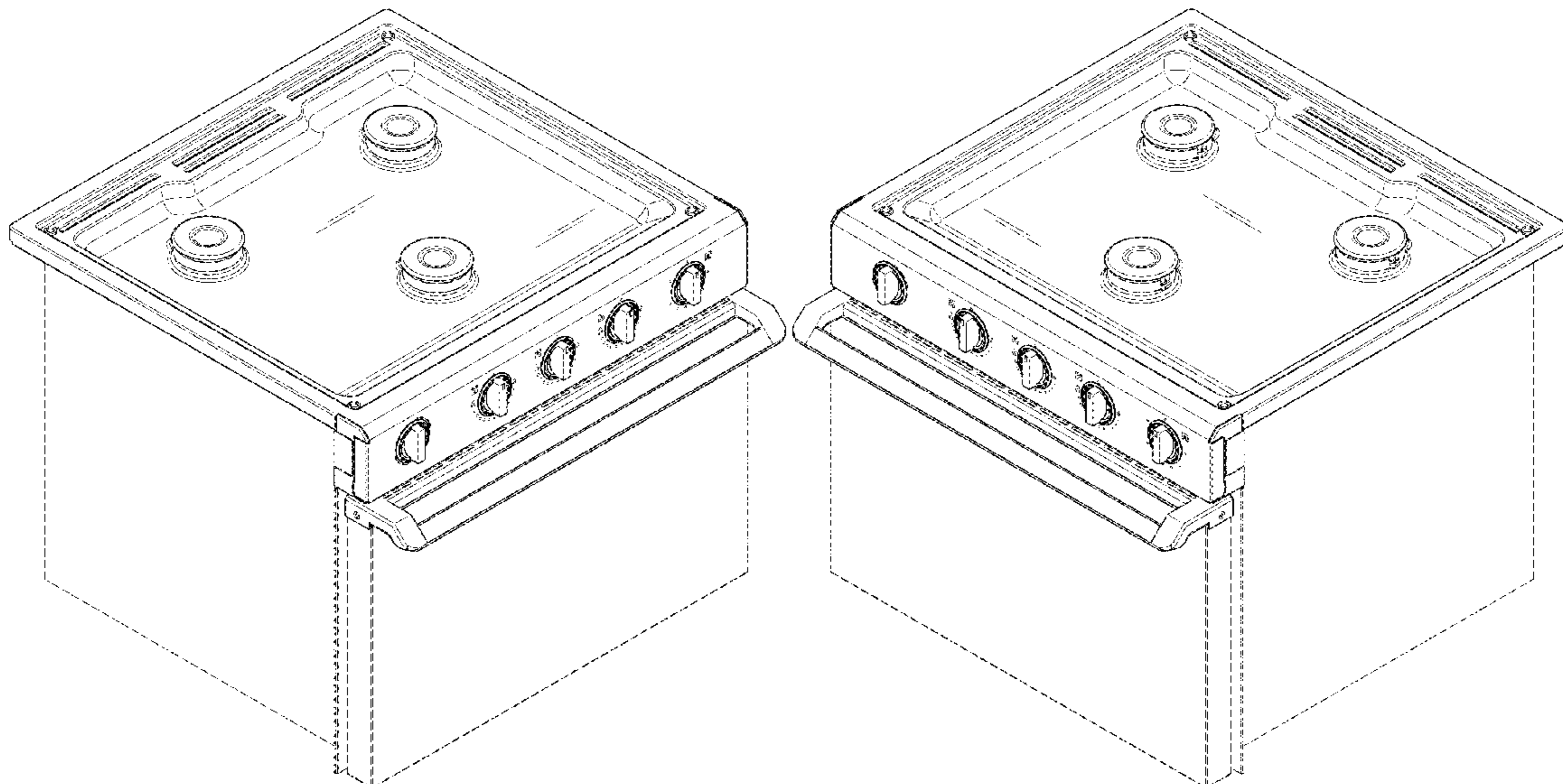
(57) **CLAIM**

The ornamental design for a stove, as shown and described.

DESCRIPTION

FIG. 1 is an upper perspective view of a stove design; FIG. 2 is a second upper perspective view of the stove design of FIG. 1; FIG. 3 is a front view of the stove design of FIG. 1; FIG. 4 is a top view of the stove design of FIG. 1; FIG. 5 is a first side view of the stove design of FIG. 1; and, FIG. 6 is a second side view of the stove design of FIG. 1. The broken line disclosure represents unclaimed portions or unclaimed boundaries of the stove in which the design is embodied.

1 Claim, 6 Drawing Sheets



(56)

References Cited

U.S. PATENT DOCUMENTS

D524,601 S 7/2006 Vetter
 D538,581 S 3/2007 Lee
 D564,838 S 3/2008 Shin et al.
 D599,608 S 9/2009 Grumm et al.
 D622,537 S * 8/2010 Kim D7/340
 D628,017 S 11/2010 Funnell et al.
 D628,431 S 12/2010 Funnell et al.
 D629,638 S 12/2010 Funnell et al.
 D634,579 S 3/2011 Funnell et al.
 D684,424 S 6/2013 Funnell et al.
 D722,818 S 2/2015 Pionek et al.
 D722,820 S 2/2015 Pionek et al.
 D724,382 S 3/2015 Pionek et al.
 D731,845 S 6/2015 Kim et al.
 D752,386 S 3/2016 Pionek et al.
 D755,009 S * 5/2016 Kim D7/406
 D763,616 S * 8/2016 Kim D7/339
 D765,459 S 9/2016 Shoemaker et al.
 D771,437 S 11/2016 Segers et al.
 D778,111 S 2/2017 Shoemaker et al.
 D779,262 S * 2/2017 Kim D7/348
 D781,648 S 3/2017 Shoemaker
 D798,662 S 10/2017 Shoemaker et al.
 D804,245 S 12/2017 Segers et al.
 D810,493 S 2/2018 Harrell et al.
 D811,165 S 2/2018 Sadtler
 D812,415 S 3/2018 Best et al.
 D812,959 S 3/2018 Kim
 D816,386 S 5/2018 Kim
 D817,066 S 5/2018 Shoemaker
 D817,691 S 5/2018 Kim et al.
 D821,802 S 7/2018 Jeon et al.
 D839,038 S * 1/2019 Bell D7/346
 D843,159 S 3/2019 Kim et al.
 D846,944 S 4/2019 Incukur
 D851,439 S 6/2019 Harrell et al.
 D851,978 S * 6/2019 Bell D7/340
 D851,979 S * 6/2019 Bell D7/346
 D857,452 S 8/2019 Sadtler
 D859,054 S 9/2019 Kim et al.
 D872,516 S * 1/2020 Bell D7/346
 D873,062 S * 1/2020 Bell D7/346
 10,527,292 B2 * 1/2020 Bell B60N 3/16
 D874,209 S * 2/2020 Harrell D7/346

2011/0120446 A1 5/2011 Simms et al.
 2019/0154264 A1 5/2019 Harrell
 2019/0383497 A1 12/2019 Cowan et al.

OTHER PUBLICATIONS

Chinese Patent Application No. 201830235110.5 filed May 21, 2018 entitled "Stove Grate".
 Restriction Requirement mailed in Design U.S. Appl. No. 29/627,085 dated Oct. 31, 2018.
 Notice of Allowance mailed in Design U.S. Appl. No. 29/627,085 dated Jan. 24, 2019.
 Notice of Allowance mailed in Design U.S. Appl. No. 29/627,084 dated Jul. 15, 2019.
 Dometic 2016 Product Catalogue, Cooking, pp. 95-96. Nov. 18, 2015.
 Design U.S. Appl. No. 29/627,123, filed Nov. 22, 2017 entitled "Stove".
 Design U.S. Appl. No. 29/627,084, filed Nov. 22, 2017 entitled "Stove".
 U.S. Appl. No. 62/589,769, filed Nov. 22, 2017 entitled "Stove".
 Design U.S. Appl. No. 29/633,001, filed Jan. 11, 2018 entitled "Cooktop Cover".
 Chinese Patent Application No. 201830234902.0 filed May 21, 2018 entitled "Stove".
 Design U.S. Appl. No. 29/715,462, filed on Dec. 2, 2019 entitled "Stove Grate".
 Notice of Allowance issued in Design U.S. Appl. No. 29/627,084 dated Oct. 2, 2019.
 Chinese Patent Application No. 201830235109.2 filed May 21, 2018 entitled "Stove".
 Restriction Requirement mailed in Design U.S. Appl. No. 29/627,123 dated Oct. 15, 2019.
 Non Final Office Action issued in U.S. Appl. No. 16/196,430 dated Apr. 3, 2020.
 Notice of Allowance issued in Design U.S. Appl. No. 29/627,123 dated Apr. 7, 2020.
 Notice of Allowance issued in Design U.S. Appl. No. 29/690,322 dated Apr. 15, 2020.
 Notice of Allowance issued in Design U.S. Appl. No. 29/627,123 dated May 11, 2020.
 Notice of Allowance issued in Design U.S. Appl. No. 29/690,322 dated May 8, 2020.

* cited by examiner

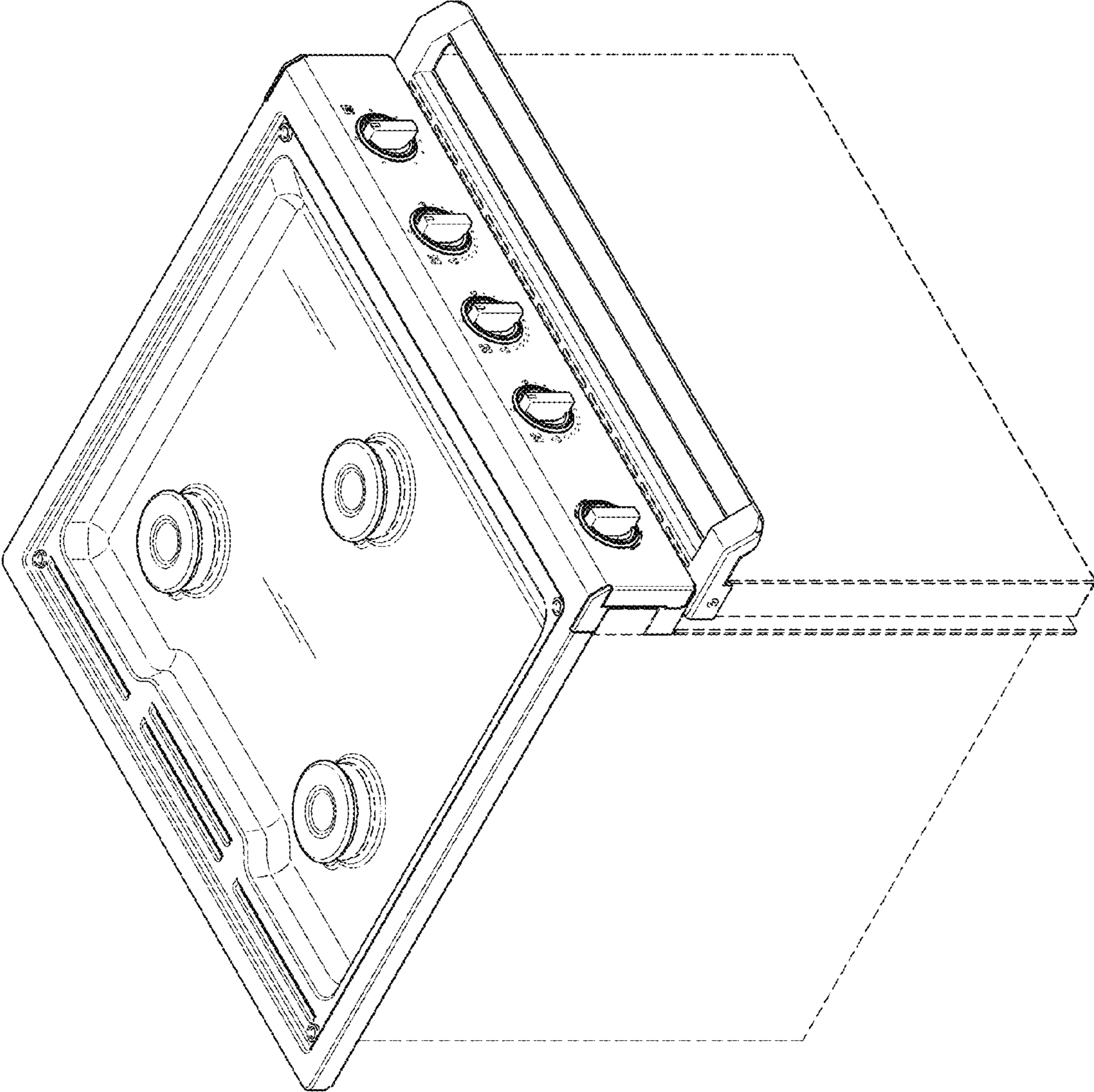


FIG. 1

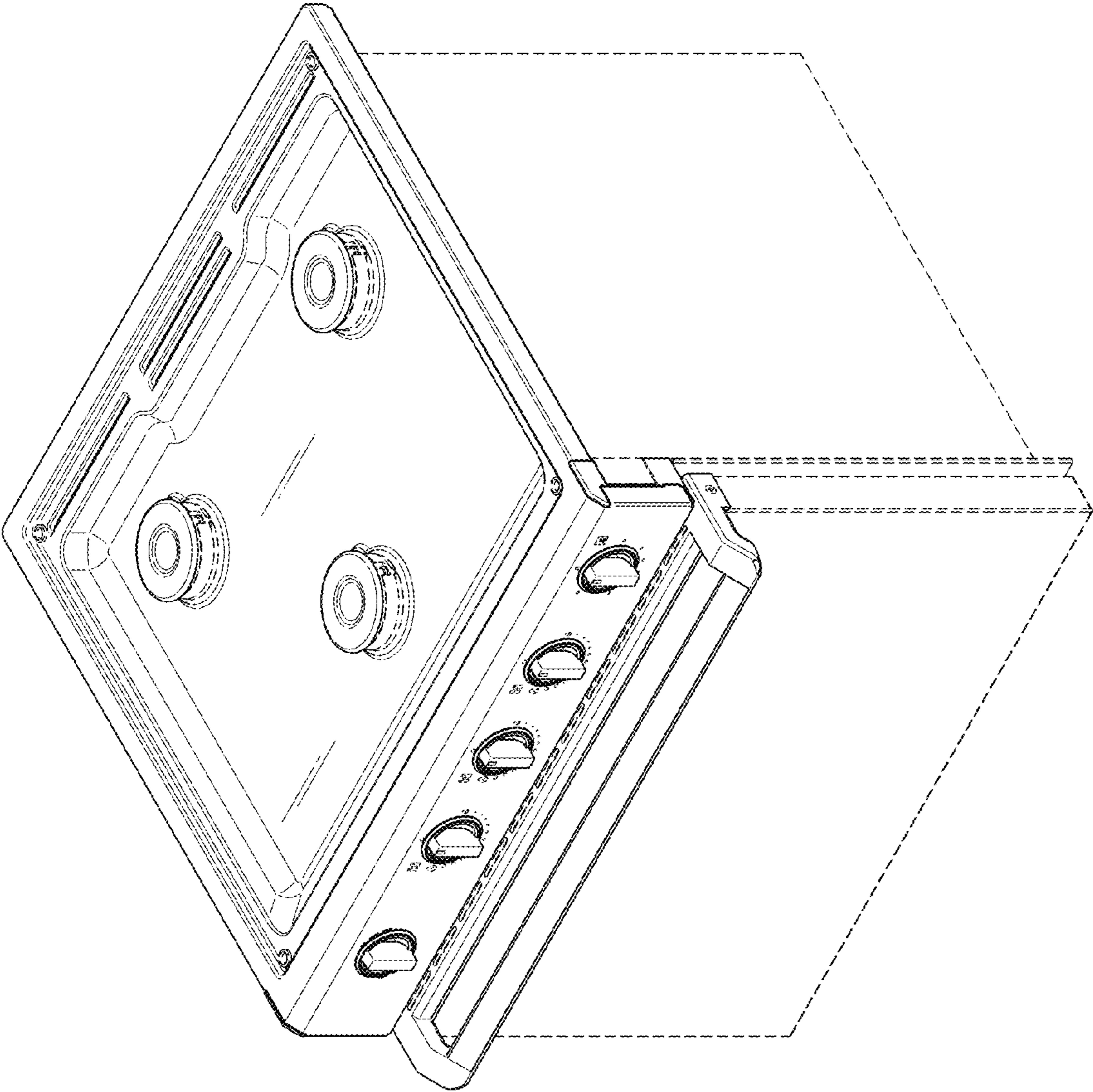


FIG. 2

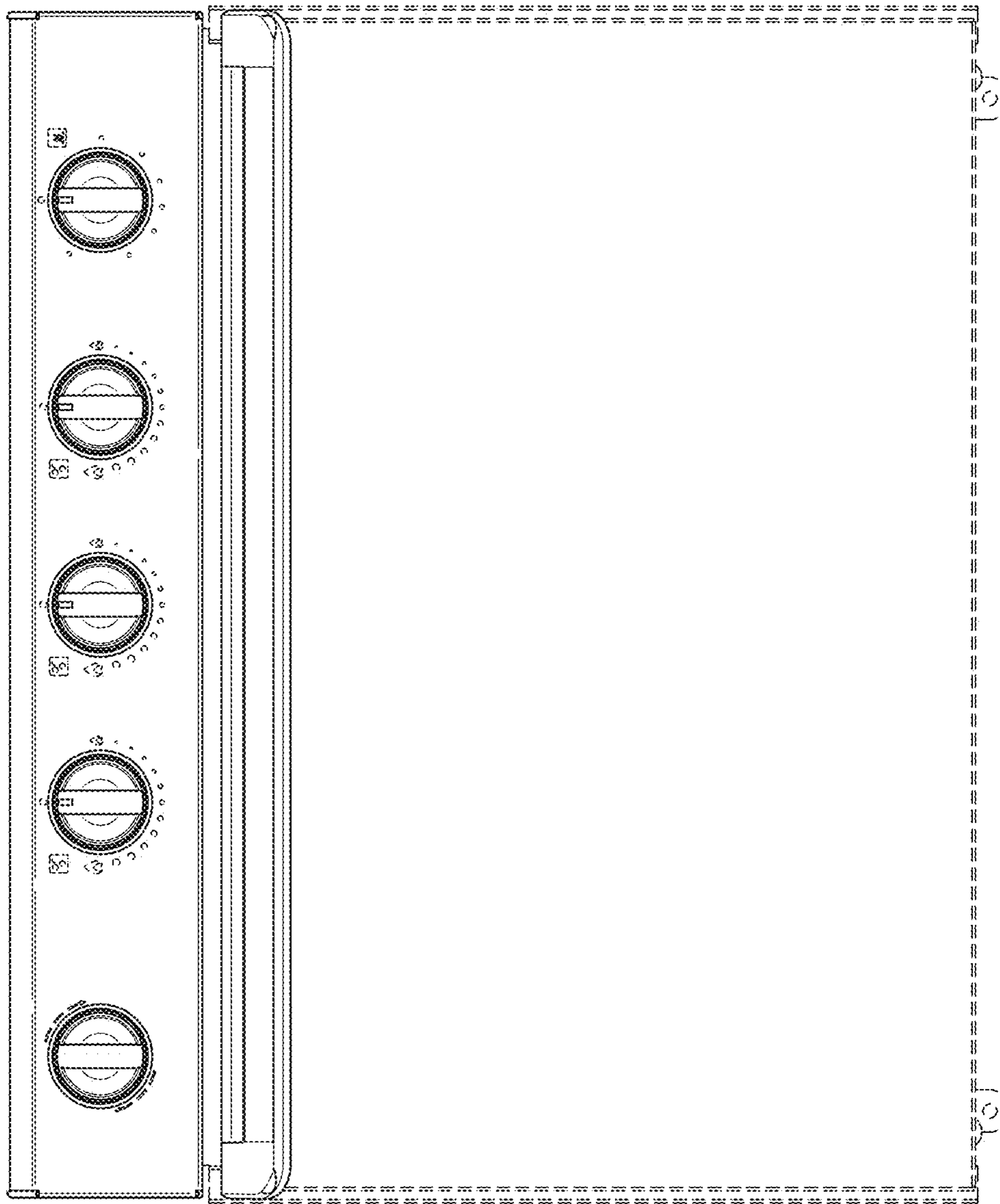


FIG. 3

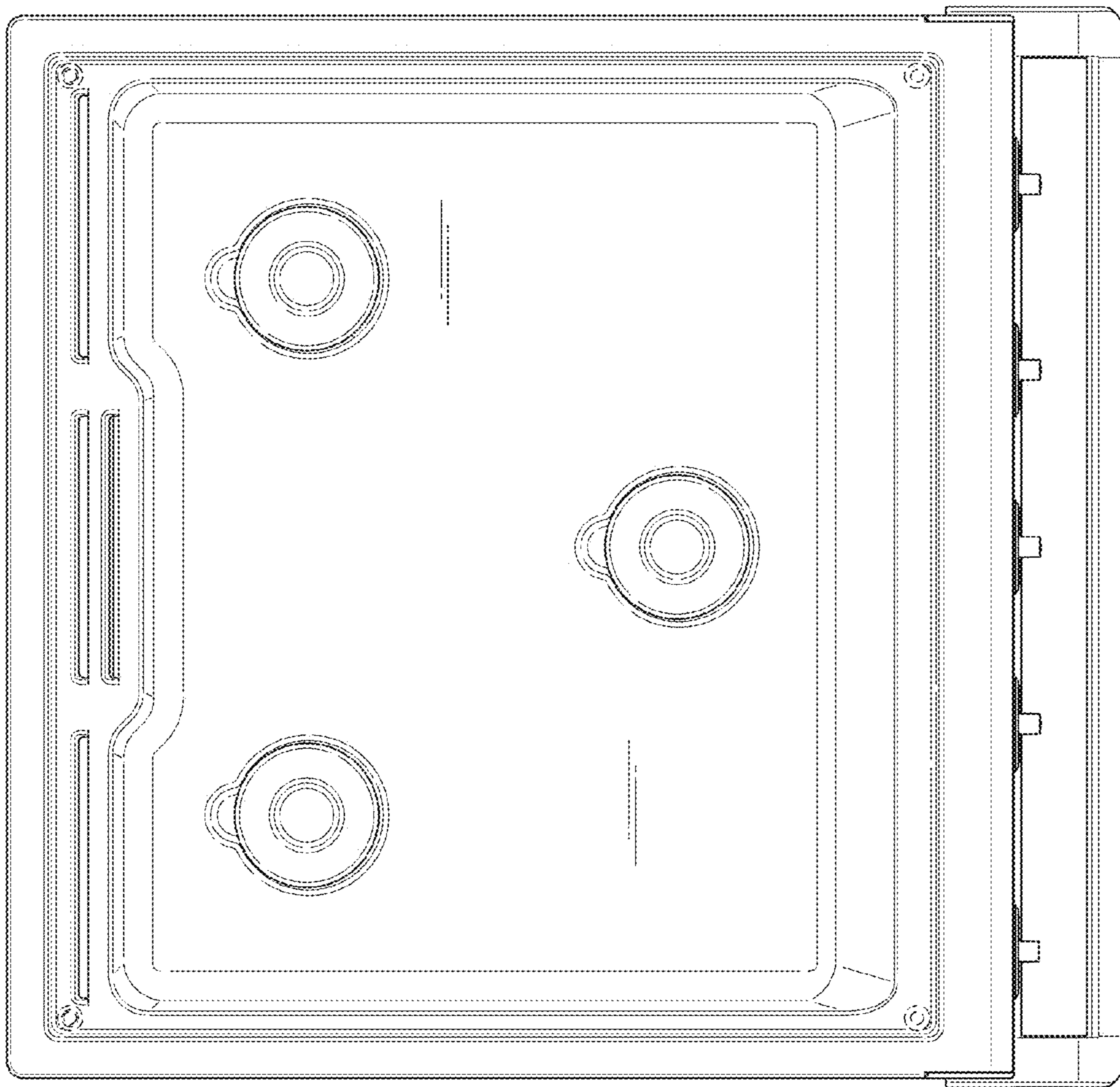


FIG. 4

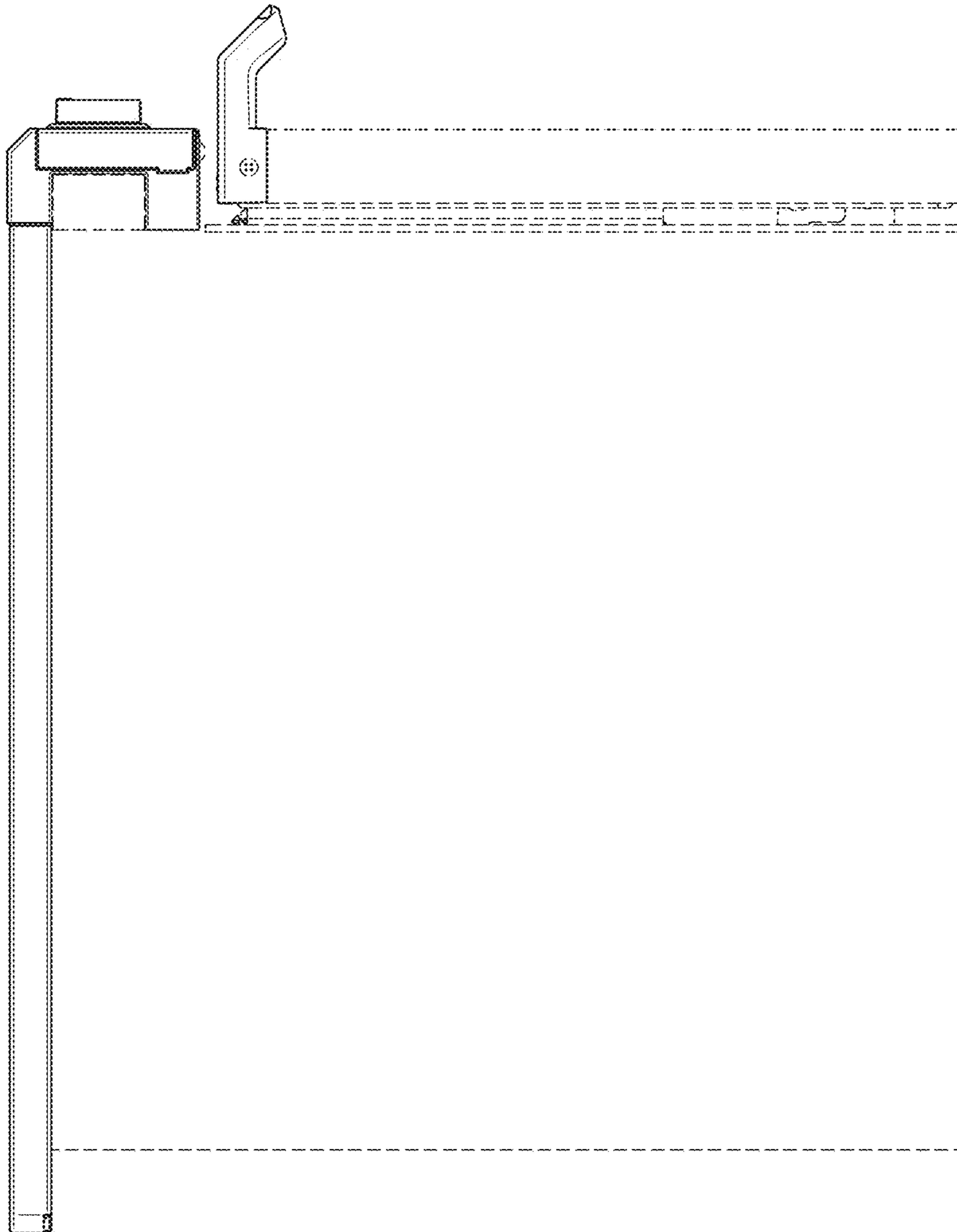


FIG. 5

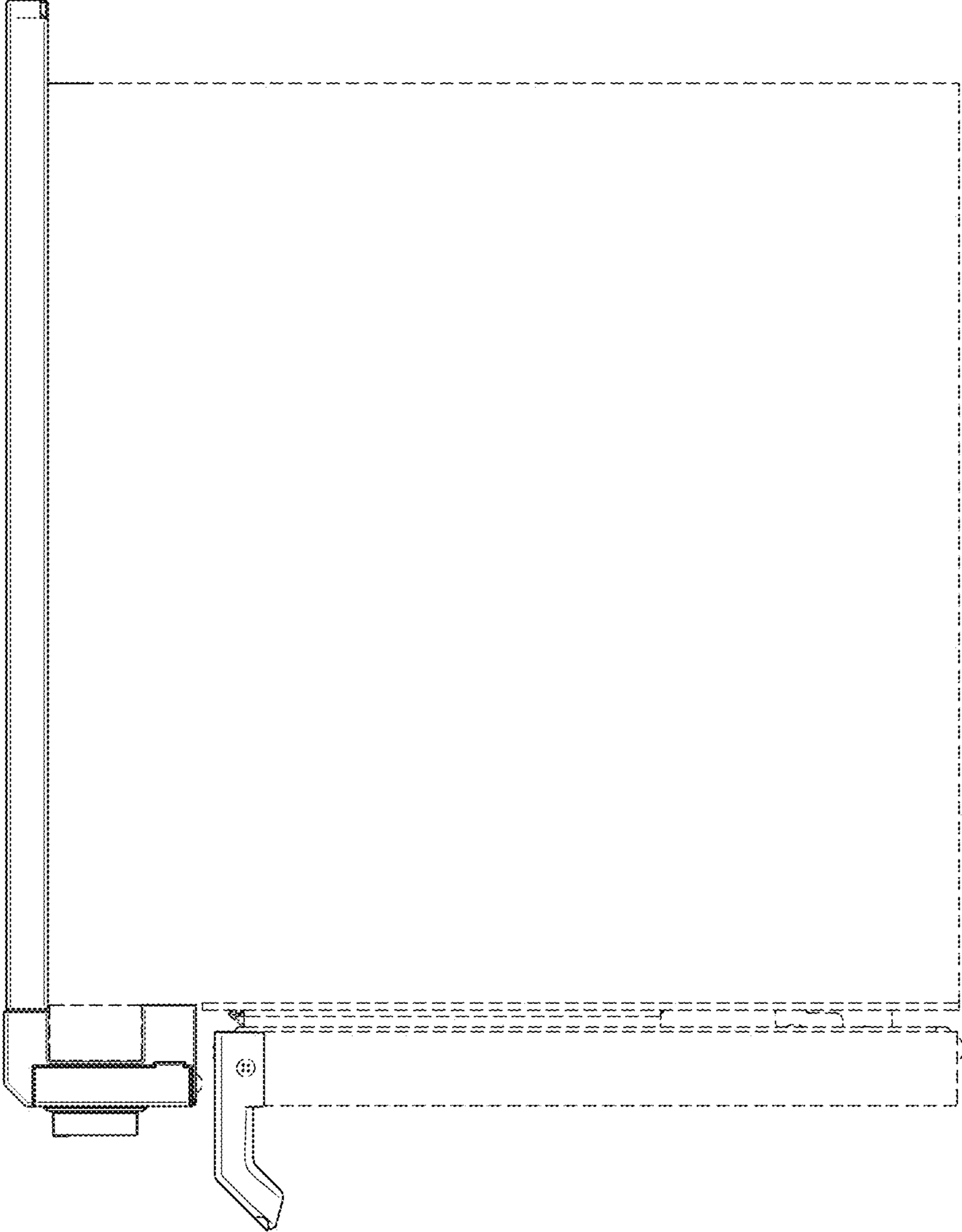


FIG. 6