



US00D896017S

(12) **United States Design Patent**
Sebastiampillai

(10) **Patent No.:** **US D896,017 S**

(45) **Date of Patent:** **** Sep. 15, 2020**

- (54) **ADJUSTABLE GRILL**
- (71) Applicant: **Jesurajah Sebastiampillai**, London (GB)
- (72) Inventor: **Jesurajah Sebastiampillai**, London (GB)
- (**) Term: **15 Years**
- (21) Appl. No.: **29/626,297**
- (22) Filed: **Nov. 16, 2017**

- 5,165,328 A * 11/1992 Erickson A47J 37/015
126/21 A
- 5,176,124 A * 1/1993 Wrasse A47J 37/0704
126/25 R
- 5,235,906 A * 8/1993 Hsu F26B 9/003
126/21 A
- 5,529,053 A * 6/1996 Carter A47J 37/0704
126/25 R
- 5,944,009 A * 8/1999 Scheller A47J 33/00
126/25 R
- D417,362 S * 12/1999 Ting D7/332
- D426,419 S * 6/2000 Kuo D7/334
- 6,868,849 B1 * 3/2005 Endres A47J 37/0763
126/25 A
- D596,892 S * 7/2009 Vanderminden D6/686
- D671,362 S * 11/2012 Simms, II D7/406
- D717,093 S * 11/2014 Chang D7/334
- D718,082 S * 11/2014 Chung D7/335
- D718,570 S * 12/2014 Chiang D7/337
- D723,320 S * 3/2015 Rooney D7/325
- D730,104 S * 5/2015 Stredney D7/337
- D755,557 S * 5/2016 Stout D7/332
- D758,122 S * 6/2016 Simpson B65D 43/0212
D7/325
- D762,409 S * 8/2016 Fisher D7/337
- D766,419 S * 9/2016 Merritt D23/374
- D770,833 S * 11/2016 Lira-Nunez D7/332

Related U.S. Application Data

- (63) Continuation-in-part of application No. 29/553,055, filed on Jan. 28, 2016, now abandoned.
- (51) **LOC (12) Cl.** **07-02**
- (52) **U.S. Cl.**
USPC **D7/332**
- (58) **Field of Classification Search**
USPC D7/213, 323, 324, 325, 326, 327, 328,
D7/329, 330, 331, 332, 333, 334, 335,
D7/336, 337, 402, 404, 405, 406, 407
CPC A47J 33/00; A47J 37/04; A47J 37/041;
A47J 37/07-0713; A47J
37/0718-37/0727; A47J 37/0731-074;
A47J 37/0745-0772; A47J 37/0781
See application file for complete search history.

Primary Examiner — Susan Bennett Hattan
Assistant Examiner — Suzanne E Tisdell

(57) **CLAIM**

The ornamental design for a adjustable grill, as shown and described.

DESCRIPTION

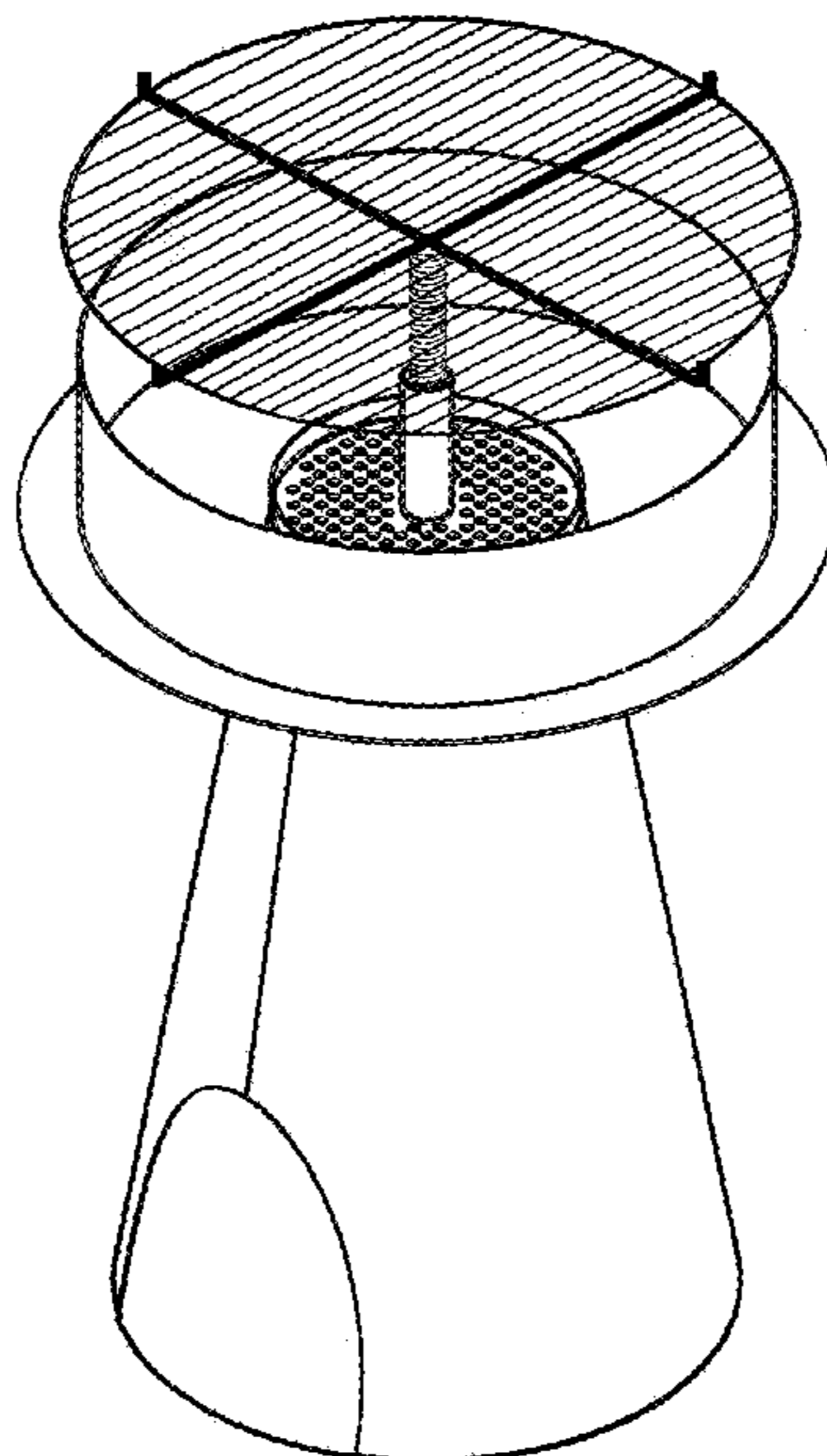
FIG. 1 is a front, perspective view of a Adjustable Grill showing my new design; and,
FIG. 2 is a front, perspective view of grill in open position thereof.
All surfaces not shown form no part of the claimed design.

1 Claim, 2 Drawing Sheets

(56) **References Cited**

U.S. PATENT DOCUMENTS

- 2,194,852 A * 3/1940 Lamb A23L 7/187
99/323.8
- D180,880 S * 8/1957 Moore D7/325
- D238,039 S * 12/1975 Juhlin D7/584
- 5,025,715 A * 6/1991 Sir A47J 33/00
126/30



(56)

References Cited

U.S. PATENT DOCUMENTS

D773,229 S * 12/2016 Jaggard D7/334
2005/0081839 A1 * 4/2005 Yoon A47J 37/0704
126/25 AA
2010/0024661 A1 * 2/2010 Wu A47J 37/041
99/339
2010/0116262 A1 * 5/2010 Voges A47J 37/04
126/25 R
2010/0252020 A1 * 10/2010 Siow A47J 37/0713
126/25 R
2015/0068512 A1 * 3/2015 Mehler A47J 33/00
126/25 R
2015/0196163 A1 * 7/2015 Robles A47J 33/00
126/25 R
2015/0285507 A1 * 10/2015 Troyer, Jr. F24B 1/182
126/30
2016/0051087 A1 * 2/2016 Nguyen A47J 37/067
99/445

* cited by examiner

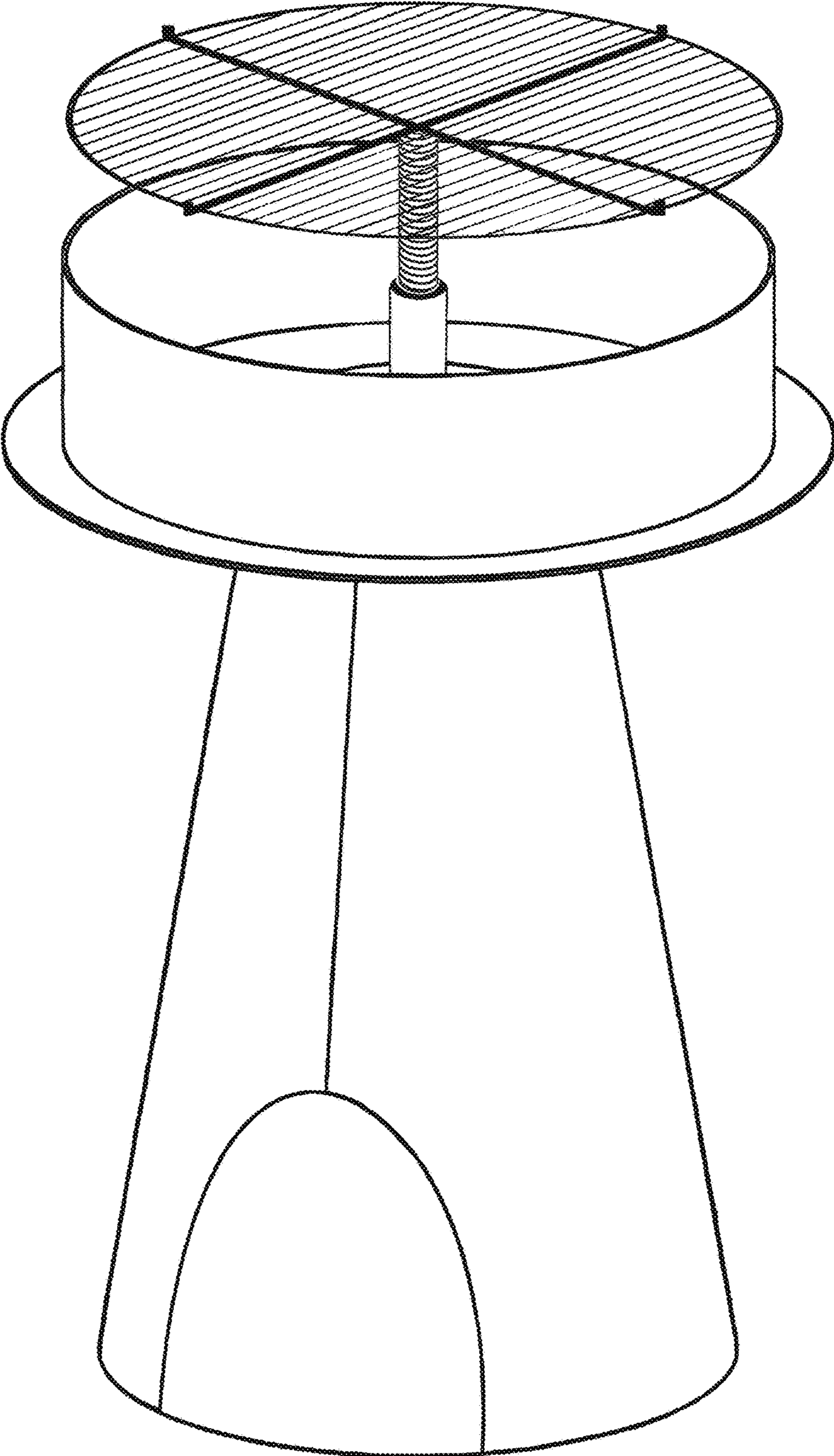


Fig. 1

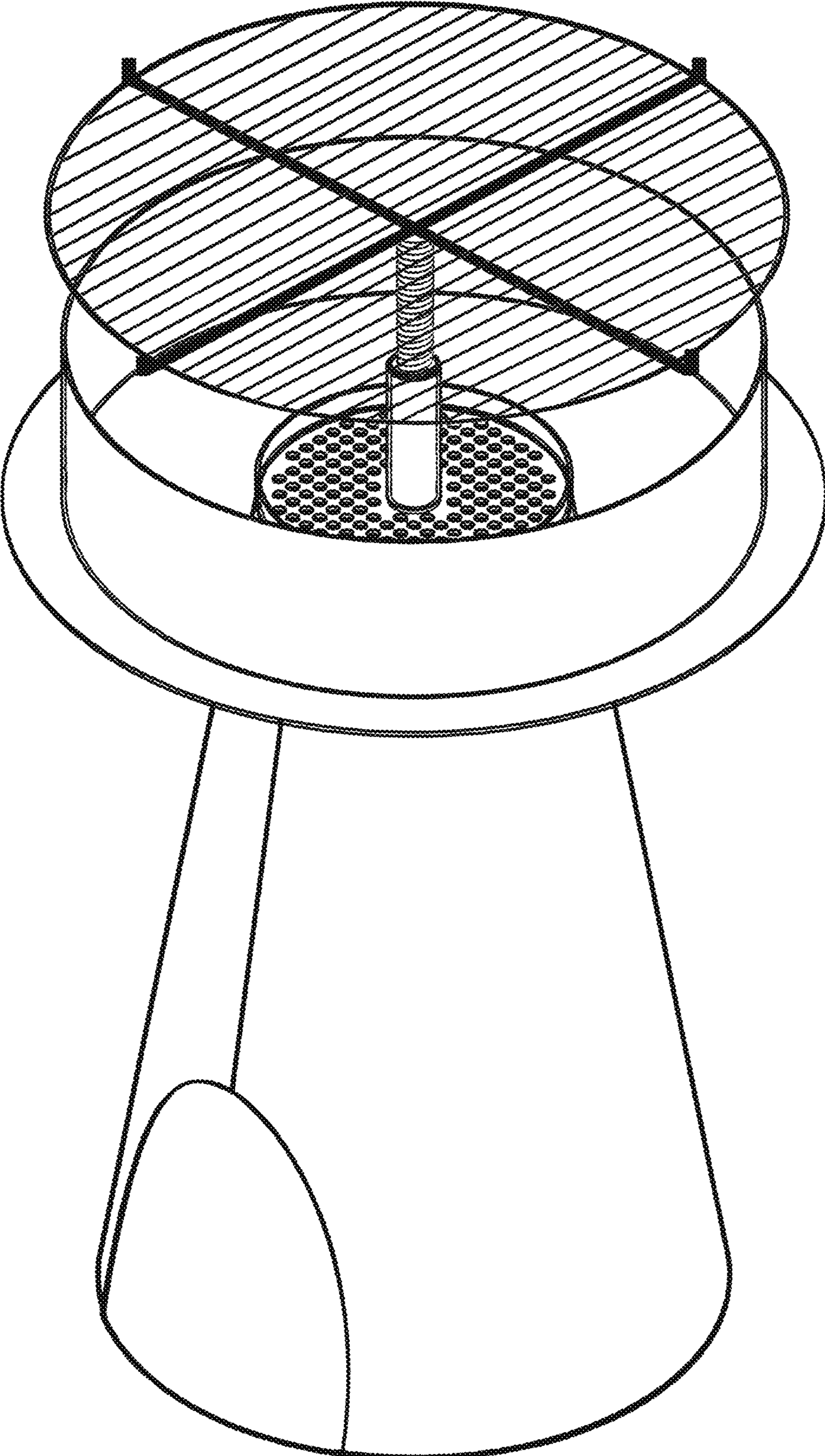


Fig. 2