



US00D896016S

(12) **United States Design Patent**  
**Leinbach**

(10) **Patent No.:** **US D896,016 S**  
(45) **Date of Patent:** **\*\* Sep. 15, 2020**

- (54) **BUILDABLE DRINKING STRAW**
- (71) Applicant: **Amy Lisa Gross Leinbach**, Huntington Beach, CA (US)
- (72) Inventor: **Amy Lisa Gross Leinbach**, Huntington Beach, CA (US)
- (\*\*) Term: **15 Years**
- (21) Appl. No.: **29/703,863**
- (22) Filed: **Aug. 29, 2019**
- (51) **LOC (12) Cl.** ..... **07-06**
- (52) **U.S. Cl.**  
USPC ..... **D7/300.2**
- (58) **Field of Classification Search**  
USPC ..... D7/300.2, 305, 376, 653, 688; D9/436, D9/716; D24/108, 110.5, 112; D25/119, D25/125, 132  
CPC .... A47G 21/18; A47G 21/182; A47G 21/186; A47G 21/189  
See application file for complete search history.

(56) **References Cited**

**PUBLICATIONS**

“Big Bee, Little Bee: Meet Build-A-Straw”. Found online Jul. 29, 2020 at [instagram.com](https://www.instagram.com/p/B08qRV1gg_n/). Reference dated Aug. 9, 2019. Retrieved from [https://www.instagram.com/p/B08qRV1gg\\_n/](https://www.instagram.com/p/B08qRV1gg_n/).\*

“Hydream: 2 Pack Collapsible Straw Reusable Stainless Steel”. Found online Mar. 18, 2020 at [amazon.co.uk](https://www.amazon.co.uk/dp/B07XP7KN7Z/ref=sr_1_49?keywords=reusable+straw+collapsible&qid=1584568307&sr=8-49&swrs=82FBC908C2FED2AD2D5D49835A8CBE8A). Reference dated Aug. 19, 2018. Retrieved from [https://www.amazon.co.uk/dp/B07XP7KN7Z/ref=sr\\_1\\_49?keywords=reusable+straw+collapsible&qid=1584568307&sr=8-49&swrs=82FBC908C2FED2AD2D5D49835A8CBE8A](https://www.amazon.co.uk/dp/B07XP7KN7Z/ref=sr_1_49?keywords=reusable+straw+collapsible&qid=1584568307&sr=8-49&swrs=82FBC908C2FED2AD2D5D49835A8CBE8A).\*

“Bofa: Drinking Game Straws, Creativity Straws(21 Assemble Straws)”. Found online Jul. 29, 2020 at [amazon.com](https://www.amazon.com/Children-Drinking-Creative-Creativity-Assemble/dp/B07L2RXMCF/ref=psdc_15754801_t1_B083R185LS). Reference dated Dec. 2, 2018. Retrieved from [https://www.amazon.com/Children-Drinking-Creative-Creativity-Assemble/dp/B07L2RXMCF/ref=psdc\\_15754801\\_t1\\_B083R185LS](https://www.amazon.com/Children-Drinking-Creative-Creativity-Assemble/dp/B07L2RXMCF/ref=psdc_15754801_t1_B083R185LS).\*

“GreenPaxx: Reusable, Adjustable Length Straws”. Found online Jul. 18, 2016 at [amazon.com](https://www.amazon.com/Reusable-Silicone-Adjustable-Tumblers-GreenPaxx/dp/B0084GF7GO). Reference dated May 18, 2012. Retrieved from <https://www.amazon.com/Reusable-Silicone-Adjustable-Tumblers-GreenPaxx/dp/B0084GF7GO>.\*

Build a Straw by Hitt—Amazon Website Aug. 26, 2019 <https://www.amazon.com/Build-A-Straw-by-Hitt/dp/B071HBT9X4/>.

Build Your Own Straw Kit—Fun Drinking Straw, Kids Toy—Construct a Crazy Way to Drink Your Favorite Beverage—Amazon Website Aug. 26, 2019 <https://www.amazon.com/Play-Visions-200-Fun-Straws/dp/B003FO8XN4/>.

NuOp Design Orange Strawz Connectable Build Your Own Straws Construction Kit—Amazon Website Aug. 26, 2019 [https://www.amazon.com/NuOp-Design-Orange-Connectable-Construction/dp/B002Y250G6/ref=sr\\_1\\_4?crd=21GNFBRE8K5HK&keywords=build+a+straw&qid=1566323198&s](https://www.amazon.com/NuOp-Design-Orange-Connectable-Construction/dp/B002Y250G6/ref=sr_1_4?crd=21GNFBRE8K5HK&keywords=build+a+straw&qid=1566323198&s).

\* cited by examiner

*Primary Examiner* — Kendra Leslie Hamilton  
(74) *Attorney, Agent, or Firm* — Diament Patent Law, P.C.; Adam Diament

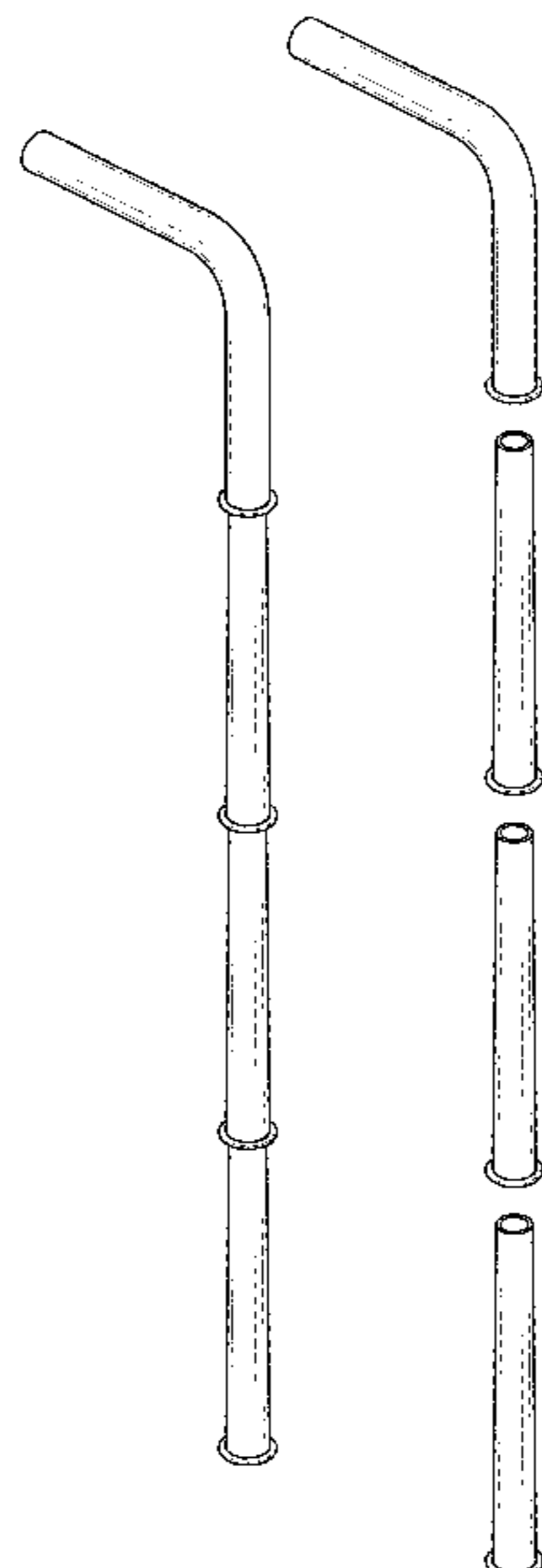
(57) **CLAIM**

The ornamental design for a buildable drinking straw, as shown and described.

**DESCRIPTION**

FIG. 1 is a top, rear, left perspective view of a buildable drinking straw, showing my new design;  
FIG. 2 is a left side elevation view thereof;  
FIG. 3 is a right side elevation view thereof;  
FIG. 4 is a rear elevation view thereof;  
FIG. 5 is a front elevation view thereof;  
FIG. 6 is a top plan view thereof;  
FIG. 7 is a bottom plan view thereof; and,  
FIG. 8 is a top, rear, left perspective view of the buildable drinking straw of FIG. 1, shown exploded for clarity of disclosure.

**1 Claim, 8 Drawing Sheets**



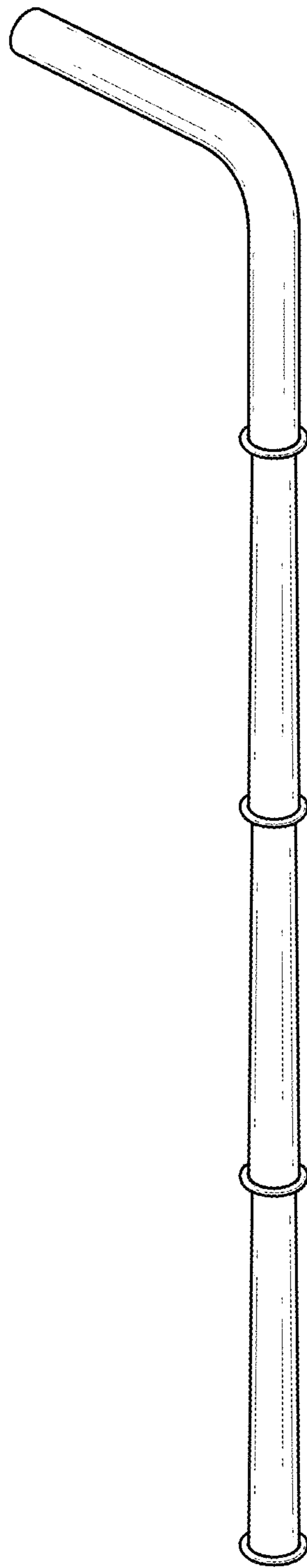


FIG. 1

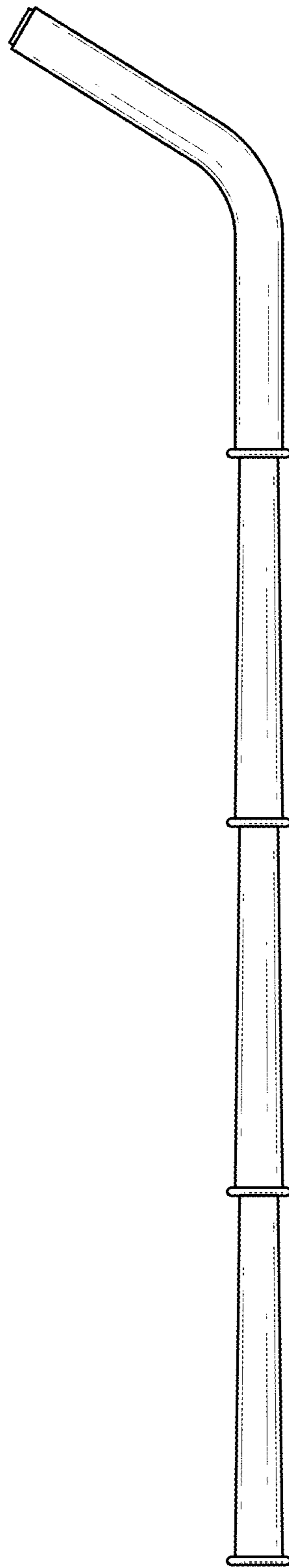


FIG. 2

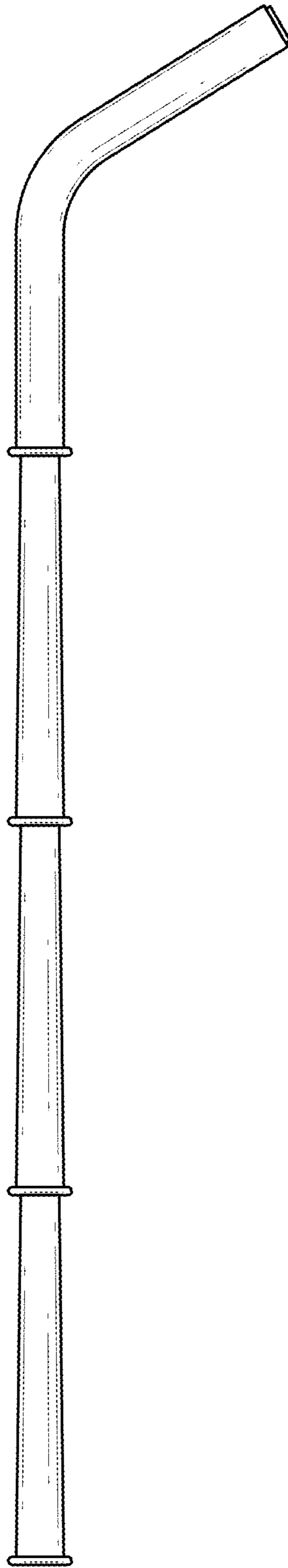


FIG. 3

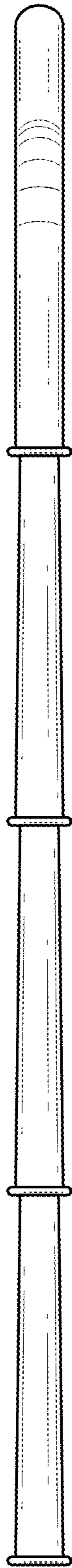


FIG. 4

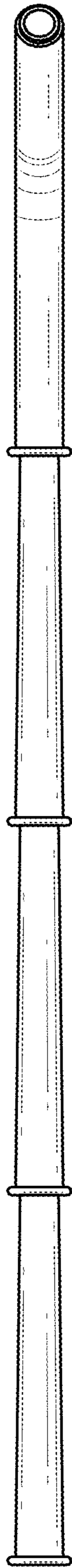


FIG. 5

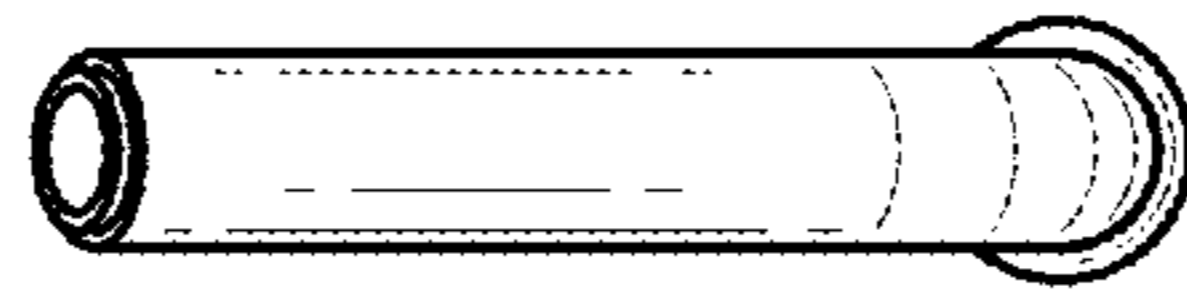


FIG. 6

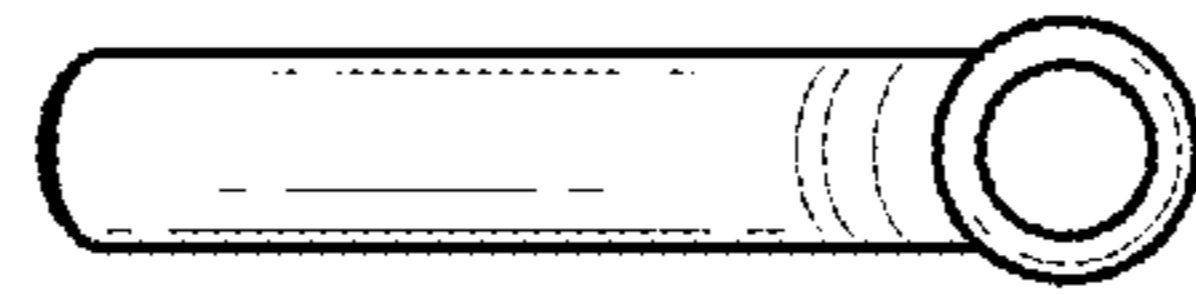


FIG. 7



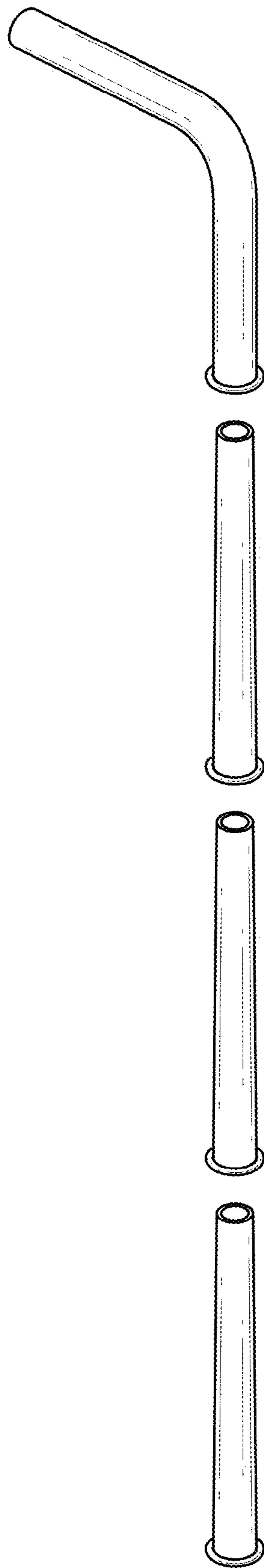


FIG. 8