



US00D896014S

(12) **United States Design Patent**
Case et al.

(10) **Patent No.:** **US D896,014 S**

(45) **Date of Patent:** **** Sep. 15, 2020**

(54) **PEDESTAL**

(71) Applicant: **Nite Ize, Inc.**, Boulder, CO (US)

(72) Inventors: **Rick Case**, Boulder, CO (US); **Frank Vogel**, Boulder, CO (US); **Bowden Ormsbee**, Longmont, CO (US)

(73) Assignee: **NITE IZE, INC.**, Boulder, CO (US)

(**) Term: **15 Years**

(21) Appl. No.: **29/671,994**

(22) Filed: **Nov. 30, 2018**

(51) **LOC (12) Cl.** **06-06**

(52) **U.S. Cl.**
USPC **D6/708.2**

(58) **Field of Classification Search**
USPC D6/323, 672, 685, 686, 691.4, 692.3,
D6/695.2, 696.1, 702, 708, 708.16,
D6/708.17, 808.2, 708.21, 708.22, 709
CPC A47B 91/00; A47B 91/005; A47B 91/12;
F16M 11/00; F16M 16/02; F16M
2200/00

See application file for complete search history.

(56) **References Cited**

U.S. PATENT DOCUMENTS

D47,937 S * 10/1915 Taussig D6/709
1,671,402 A * 5/1928 Brown A47B 91/00
248/188.1
2,072,791 A * 3/1937 Baer A47B 91/12
248/407

D115,528 S * 7/1939 Silvers D6/708
RE25,414 E * 7/1963 Reineman et al. A47B 13/16
D6/708.17
D361,671 S * 8/1995 Sharpe A47B 91/00
D6/323
D398,451 S * 9/1998 Sharpe A47B 91/12
D6/323
D450,496 S * 11/2001 Schwartz D6/708.2
D511,413 S * 11/2005 Yue D6/300
D641,435 S * 7/2011 Coote F16M 11/041
D21/694
D723,573 S * 3/2015 Padro D14/447
D861,003 S * 9/2019 Vogel D14/447
2018/0259119 A1 * 9/2018 Zhu F16M 11/041

* cited by examiner

Primary Examiner — Mary Ann Calabrese

(74) *Attorney, Agent, or Firm* — Haynes and Boone, LLP

(57) **CLAIM**

The ornamental design for the pedestal, as shown and described.

DESCRIPTION

FIG. 1 shows a front perspective view of a pedestal;
FIG. 2 shows a rear perspective view of the pedestal of FIG. 1;
FIG. 3 shows an exploded view of the pedestal of FIG. 1;
FIG. 4 shows a side view of the pedestal of FIG. 1, the opposite side is a mirror image thereof;
FIG. 5 shows a top view of the pedestal of FIG. 1; and,
FIG. 6 shows a bottom view of the pedestal of FIG. 1.

1 Claim, 3 Drawing Sheets

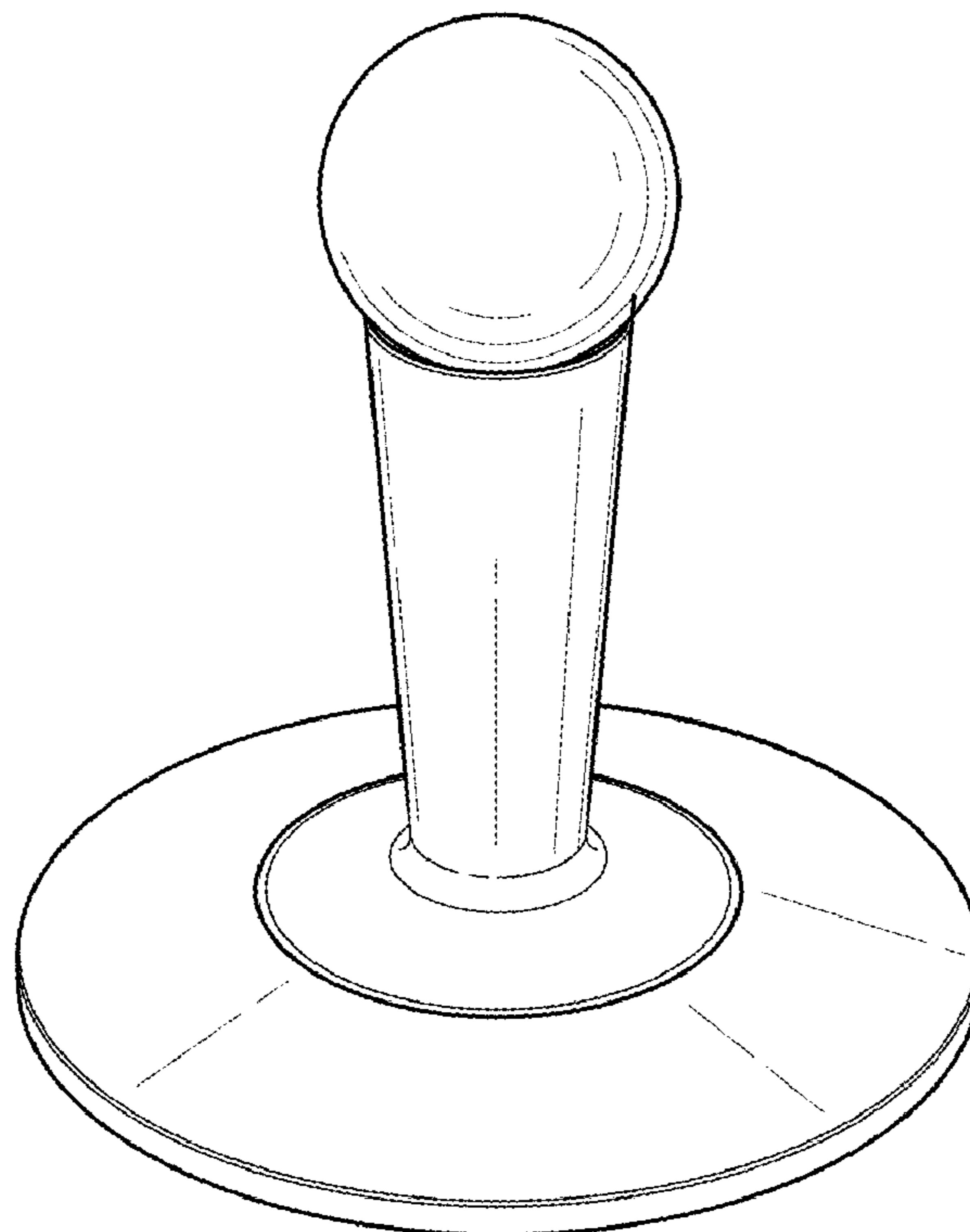


FIG. 1

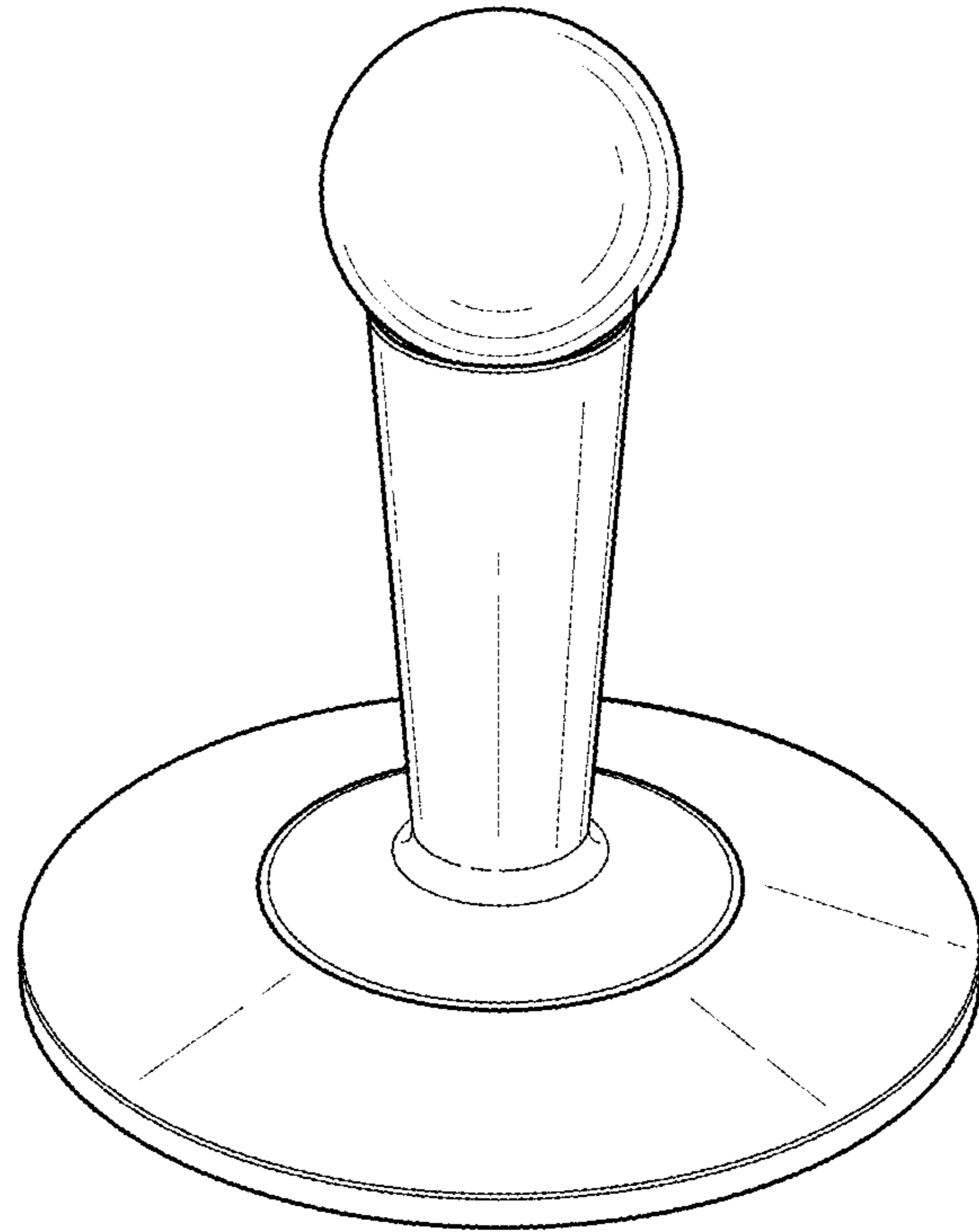
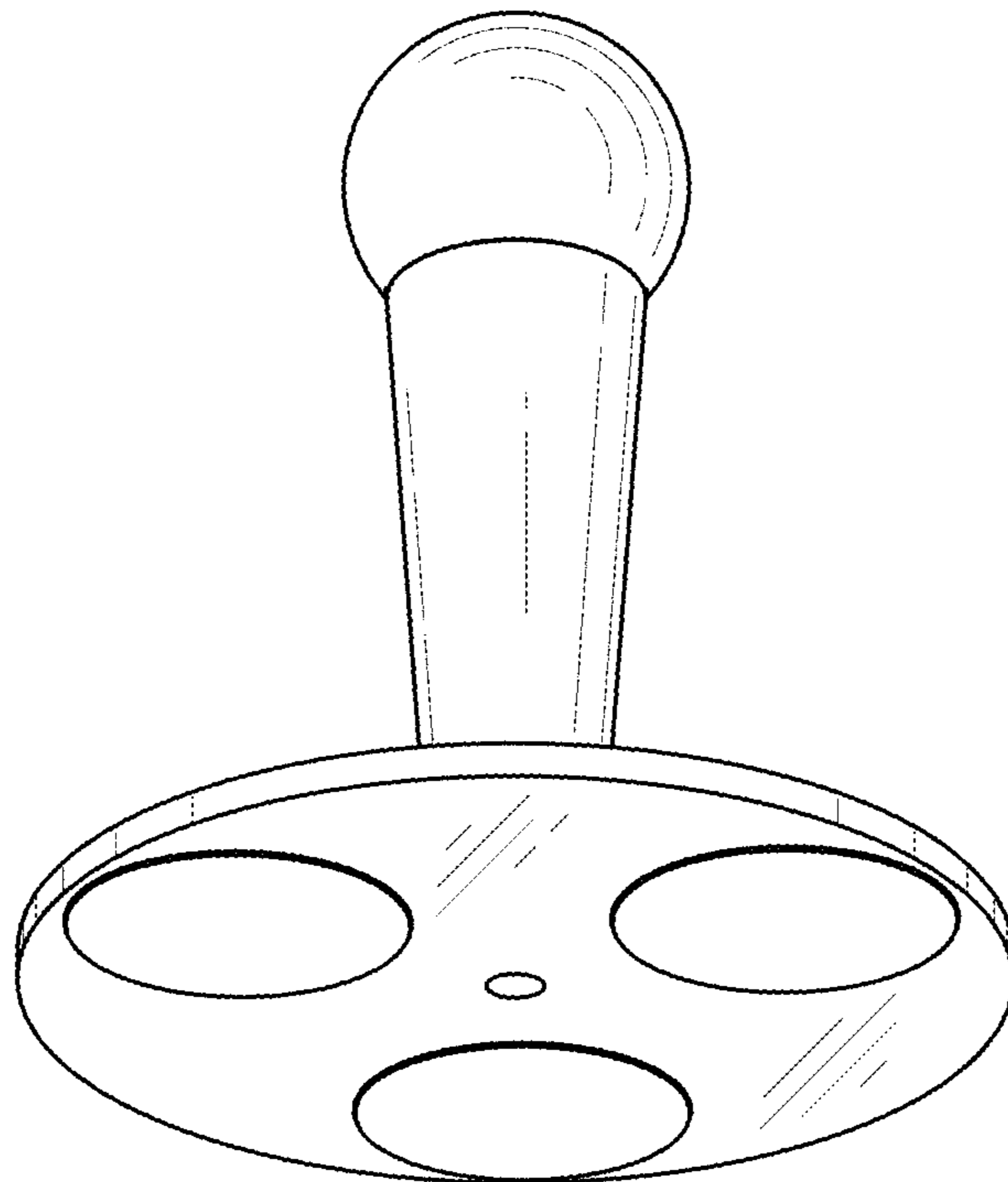


FIG. 2



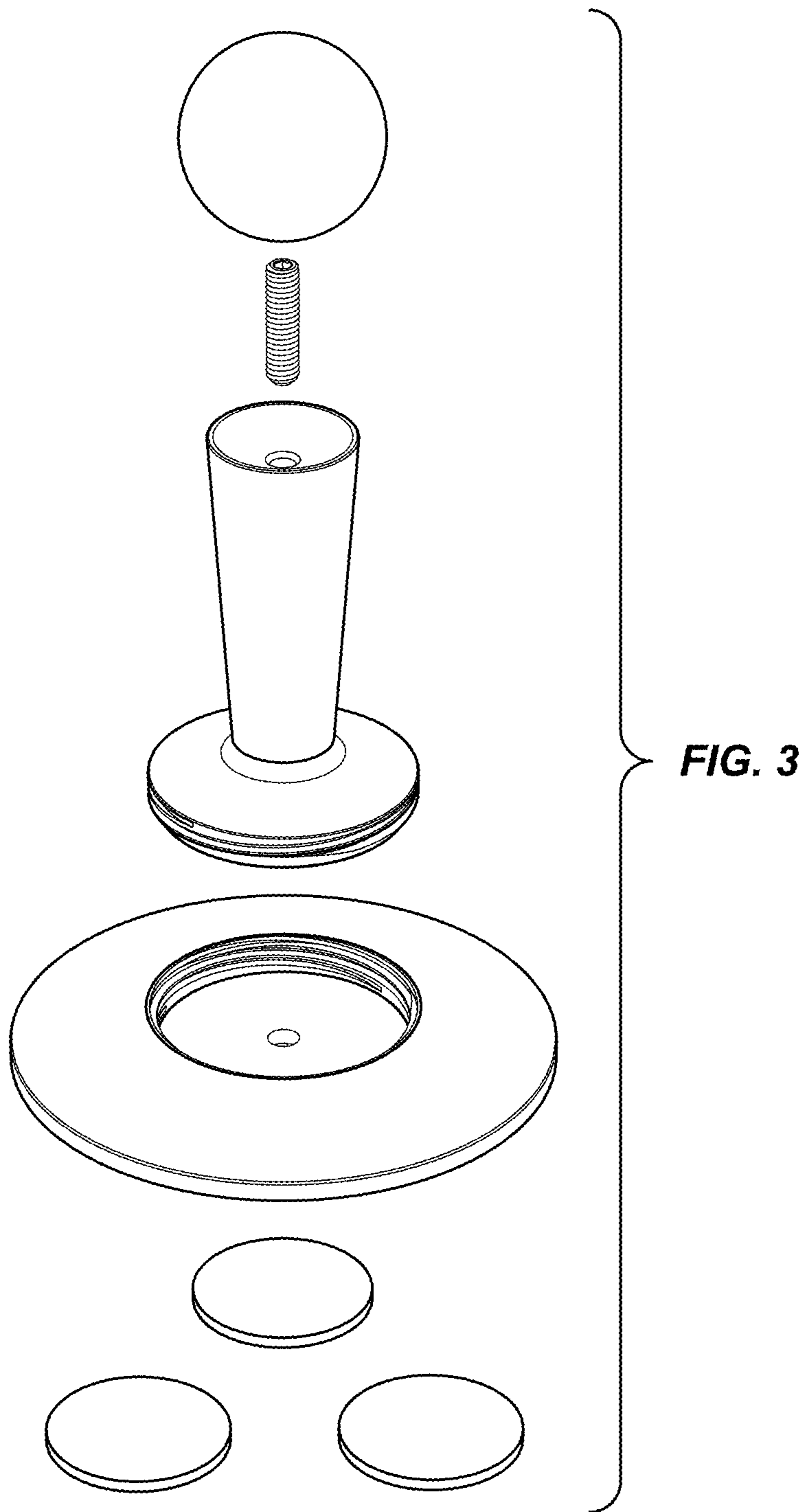


FIG. 4

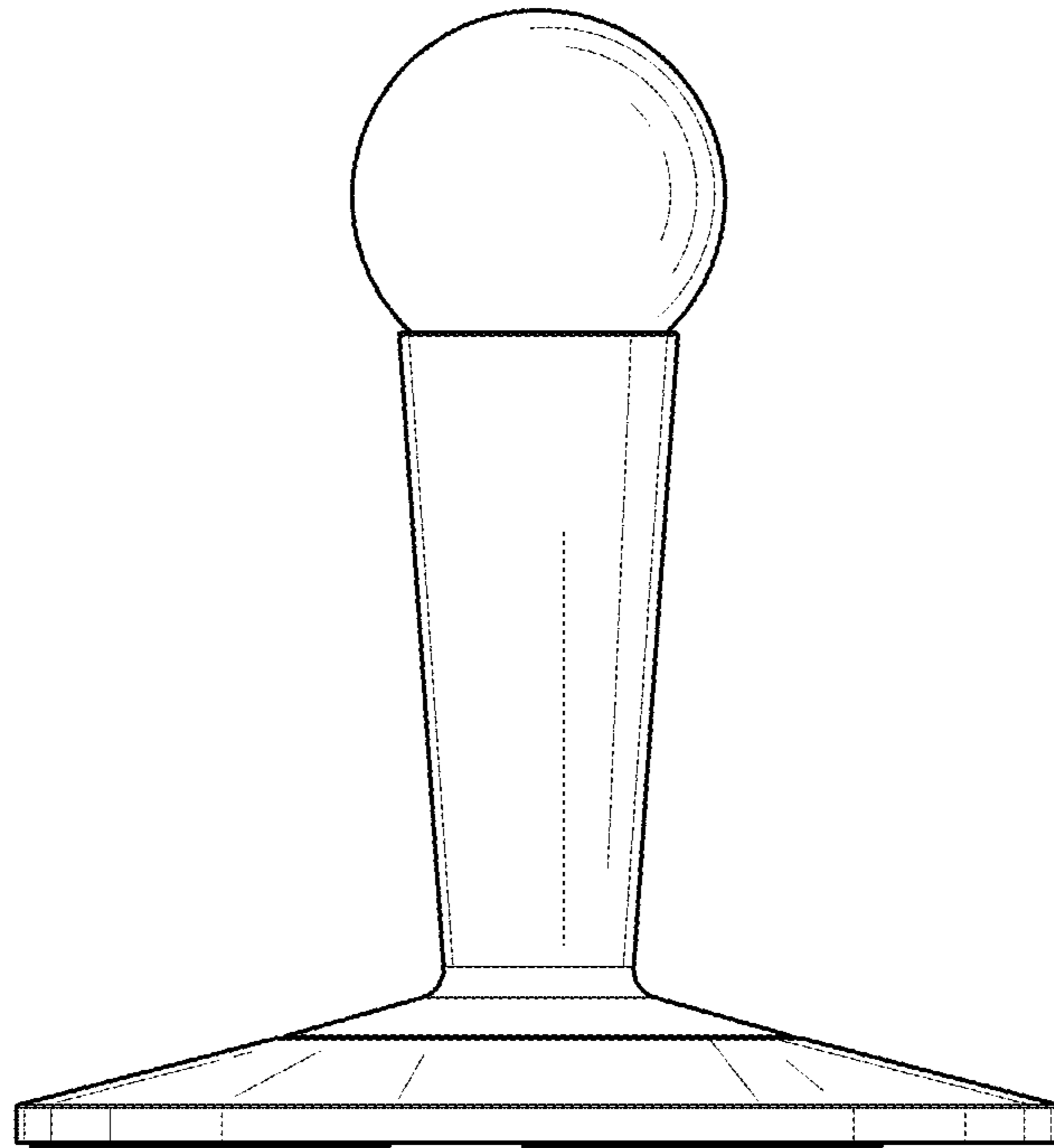


FIG. 5

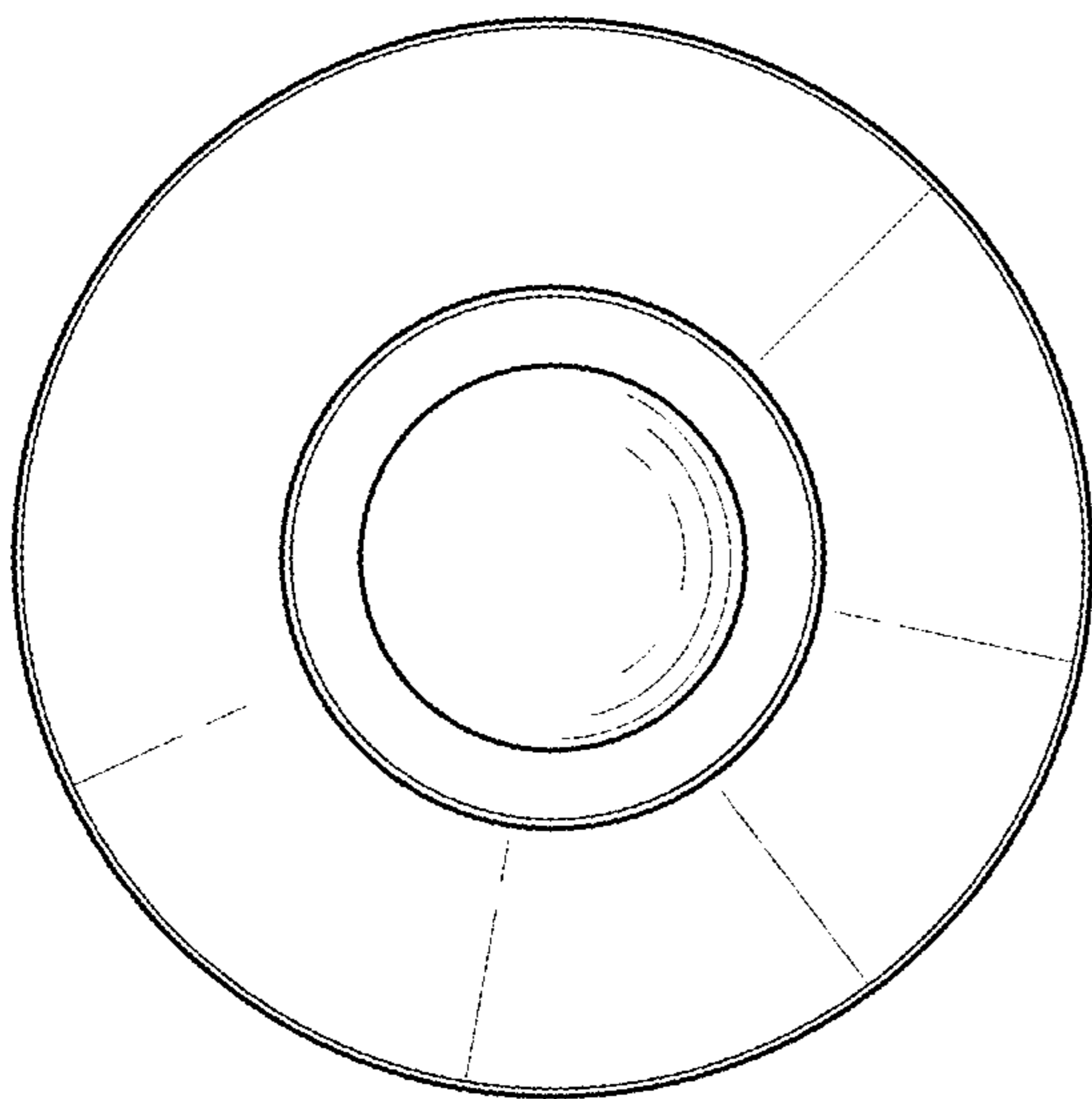


FIG. 6

