



US00D896013S

(12) **United States Design Patent** (10) **Patent No.:** **US D896,013 S**
Tan et al. (45) **Date of Patent:** **** Sep. 15, 2020**

(54) **DRAWER PANEL**
(71) Applicant: **CHUANHENG FURNITURE PRODUCTS SDN BHD**, Muar, Johor (MY)
(72) Inventors: **Chin Hao Tan**, Johor (MY); **Choon Hwee Lew**, Johor (MY)
(73) Assignee: **CHUANHENG FURNITURE PRODUCTS SDN. BHD.**, Muar, Johor (MY)
(**) Term: **15 Years**

(21) Appl. No.: **29/639,534**
(22) Filed: **Mar. 7, 2018**
(51) **LOC (12) Cl.** **06-06**
(52) **U.S. Cl.**
USPC **D6/703.3**
(58) **Field of Classification Search**
USPC D6/703, 703.2, 703.3, 705, 705.2, 705.4, D6/705.5, 705.7, 707.19, 707.25, 706
CPC A47B 88/00; A47B 88/40; A47B 88/402; A47B 88/407; A47B 88/413; A47B 88/417; A47B 88/433; A47B 88/90; A47B 88/906; A47B 88/944
See application file for complete search history.

(56) **References Cited**

U.S. PATENT DOCUMENTS

D20,933 S * 7/1891 Caldwell D25/144
D38,666 S * 7/1907 Thornley D6/703
2,325,903 A * 8/1943 Blair B29C 44/022
264/45.5
2,546,394 A * 3/1951 Harmon A47G 27/0231
428/169
D313,319 S * 1/1991 Legare D5/53
D343,528 S * 1/1994 Hess D6/334
D382,354 S * 8/1997 Engberg D25/157

D409,850 S * 5/1999 Jeng D6/370
D465,951 S * 11/2002 Caldwell D6/703.3
D482,910 S * 12/2003 Jeup D6/703.3
D525,373 S * 7/2006 Reisman D25/138
D569,130 S * 5/2008 Thompson D6/703.2
D692,703 S * 11/2013 Schmidt D6/703.3
D714,066 S * 9/2014 Thuma D5/99
D804,829 S * 12/2017 Austin D5/58
D805,787 S * 12/2017 Forrest D4/134
D813,573 S * 3/2018 Hannoosh D6/671
D850,822 S * 6/2019 Anderson D6/667

* cited by examiner

Primary Examiner — R. Johnson

(74) *Attorney, Agent, or Firm* — Bryan Cave Leighton Paisner LLP

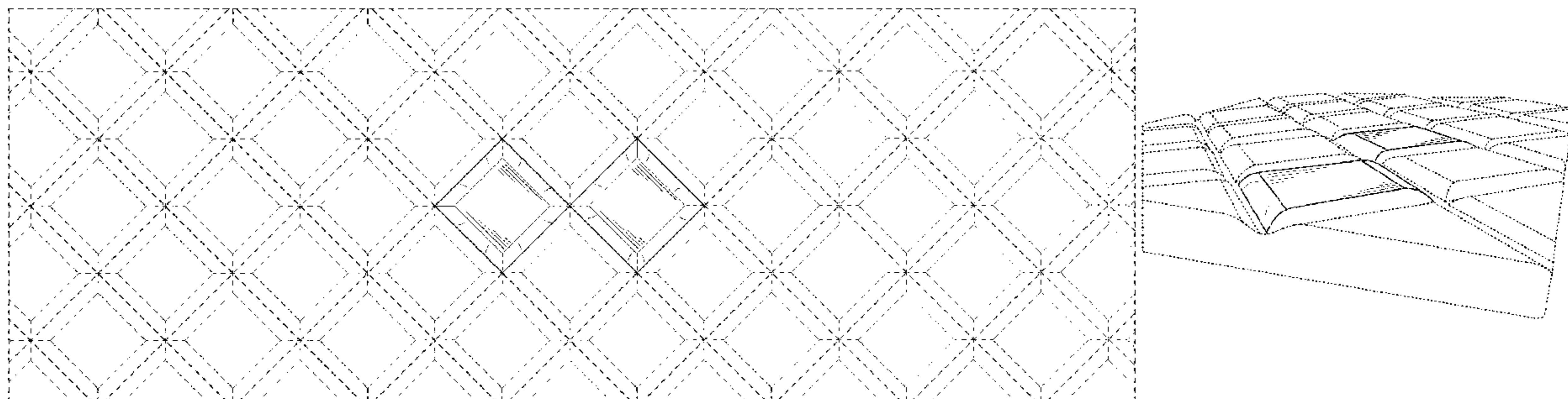
(57) **CLAIM**

The ornamental design for a drawer panel, as shown and described.

DESCRIPTION

FIG. 1 is a front elevational view of a drawer panel, showing the first embodiment of our new design;
FIG. 2 is a perspective view thereof;
FIG. 3 is right side elevational view thereof;
FIG. 4 is a left side elevational view thereof;
FIG. 5 is a bottom plan view thereof;
FIG. 6 is a top plan view thereof;
FIG. 7 is a front elevational view thereof, shown in an environment of use;
FIG. 8 is a front elevational view of drawer panels, showing the second embodiment of the design, shown in an environment of use; and,
FIG. 9 is another front elevational view thereof, shown in another environment of use.
The broken lines illustrate environmental structure and the portions of the drawer panel that form no part of the claimed design.

1 Claim, 7 Drawing Sheets



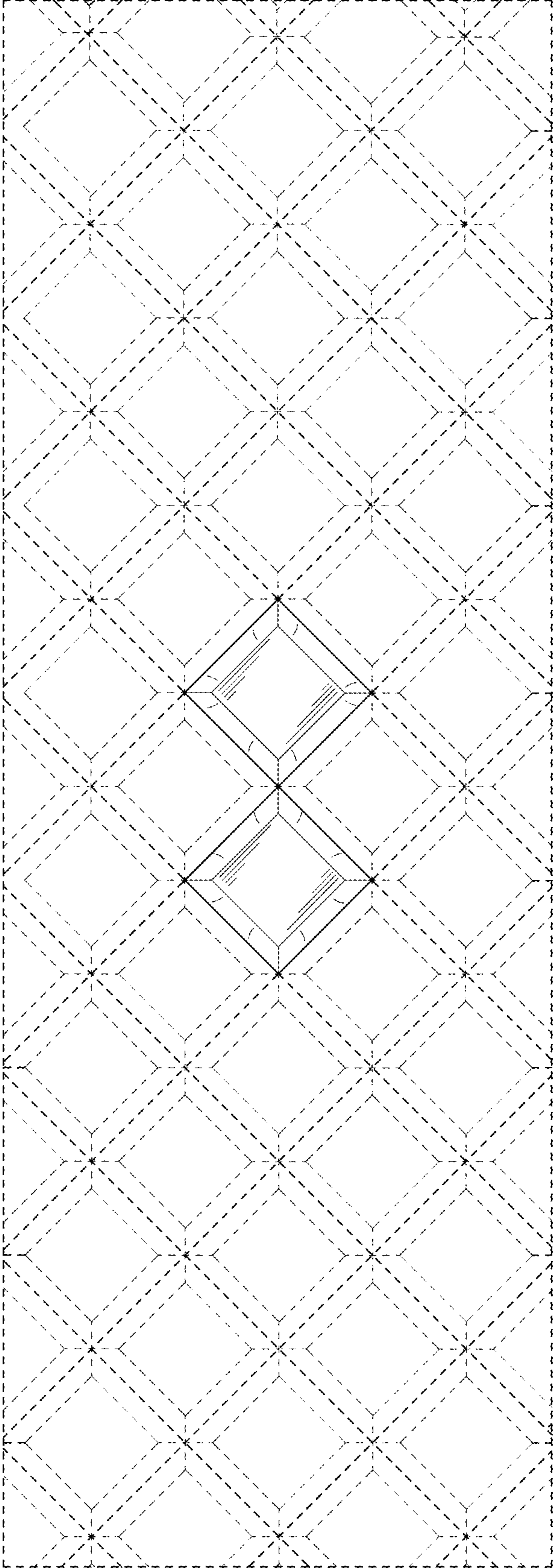


FIG. 1

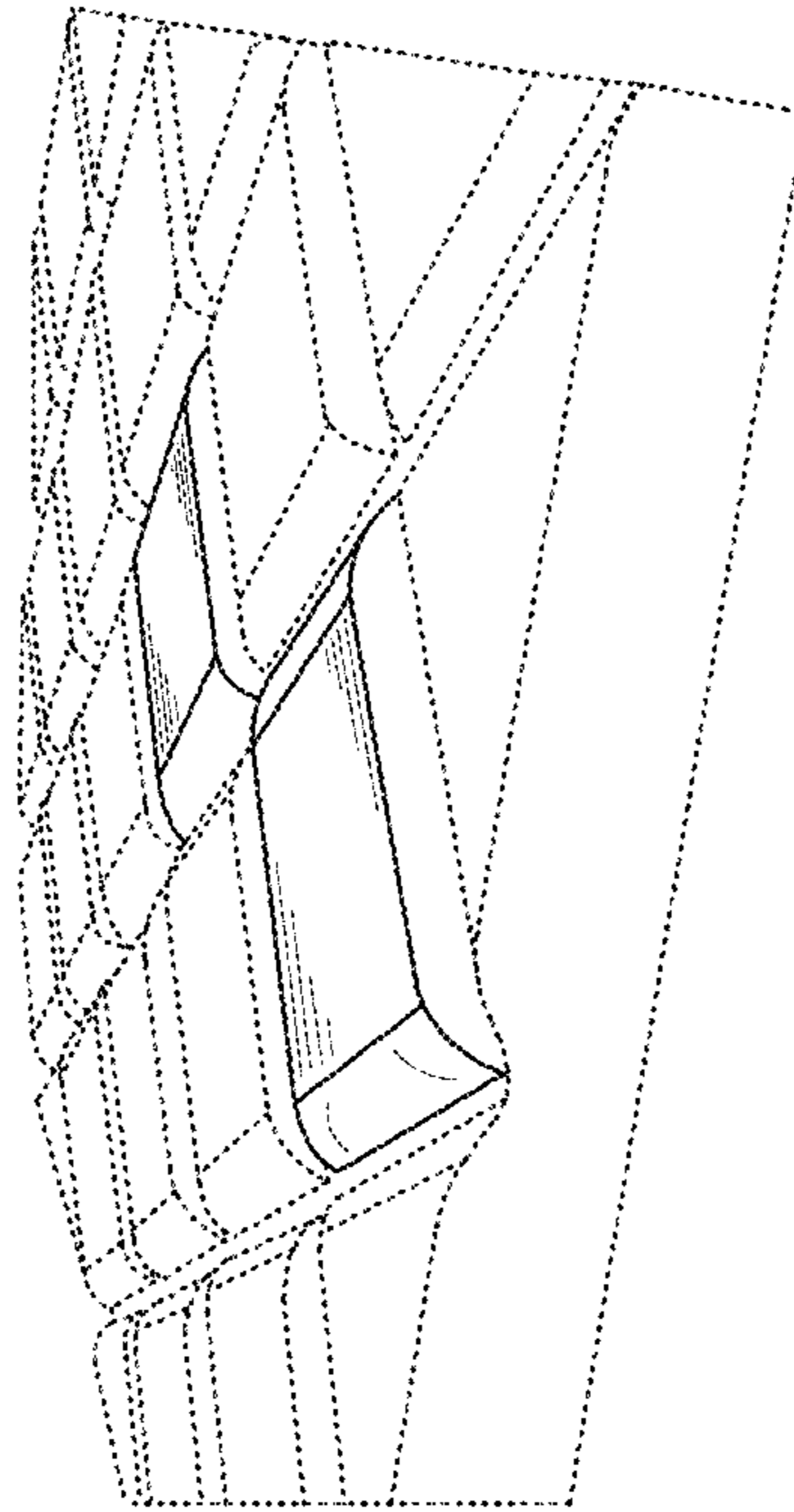


FIG. 2



FIG. 4



FIG. 3

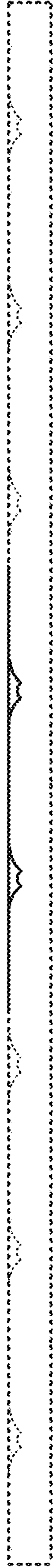


FIG. 5

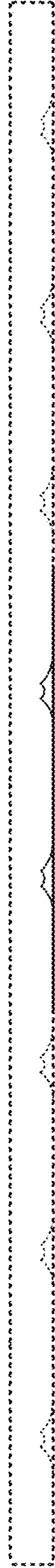


FIG. 6

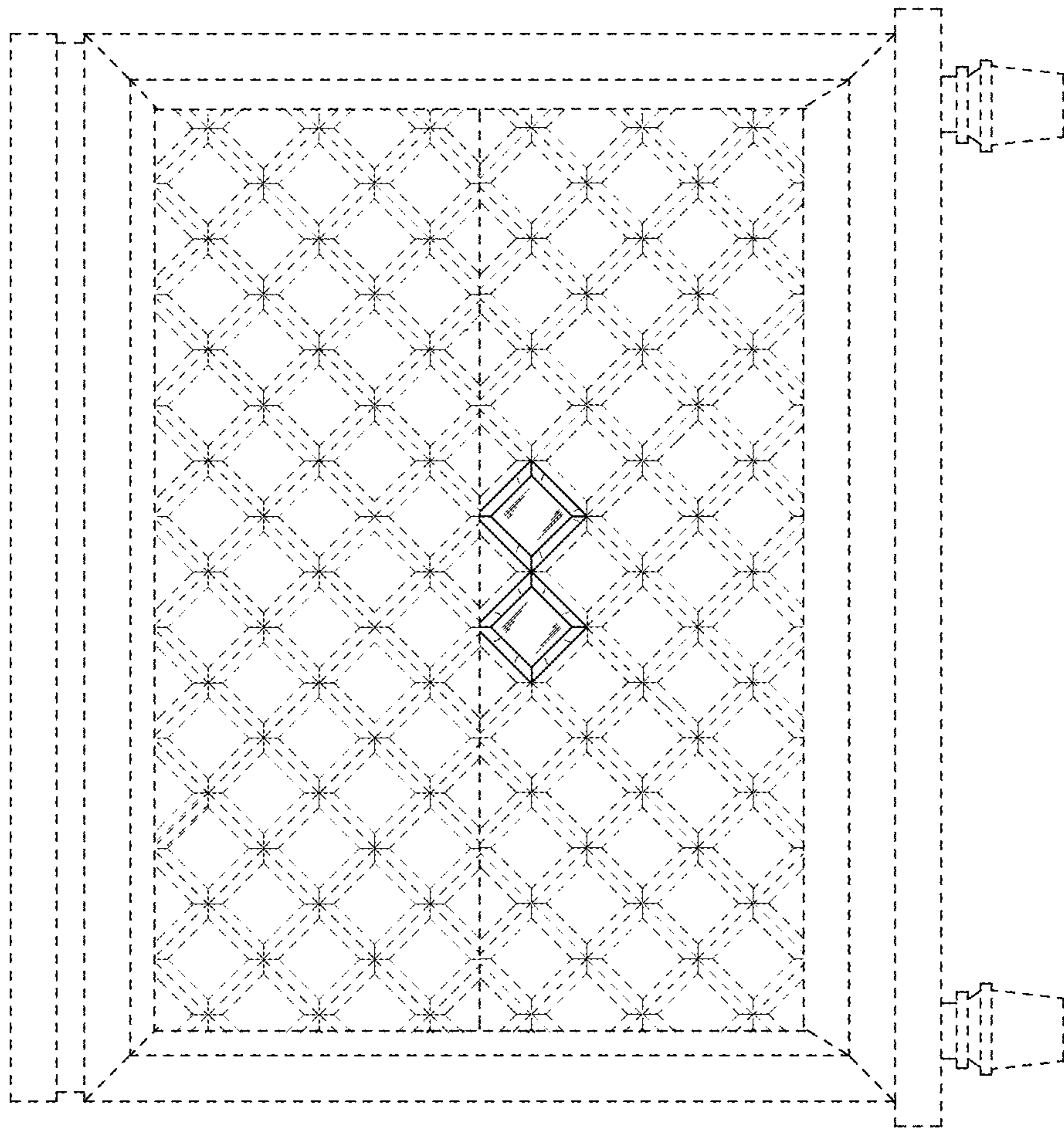


FIG. 7

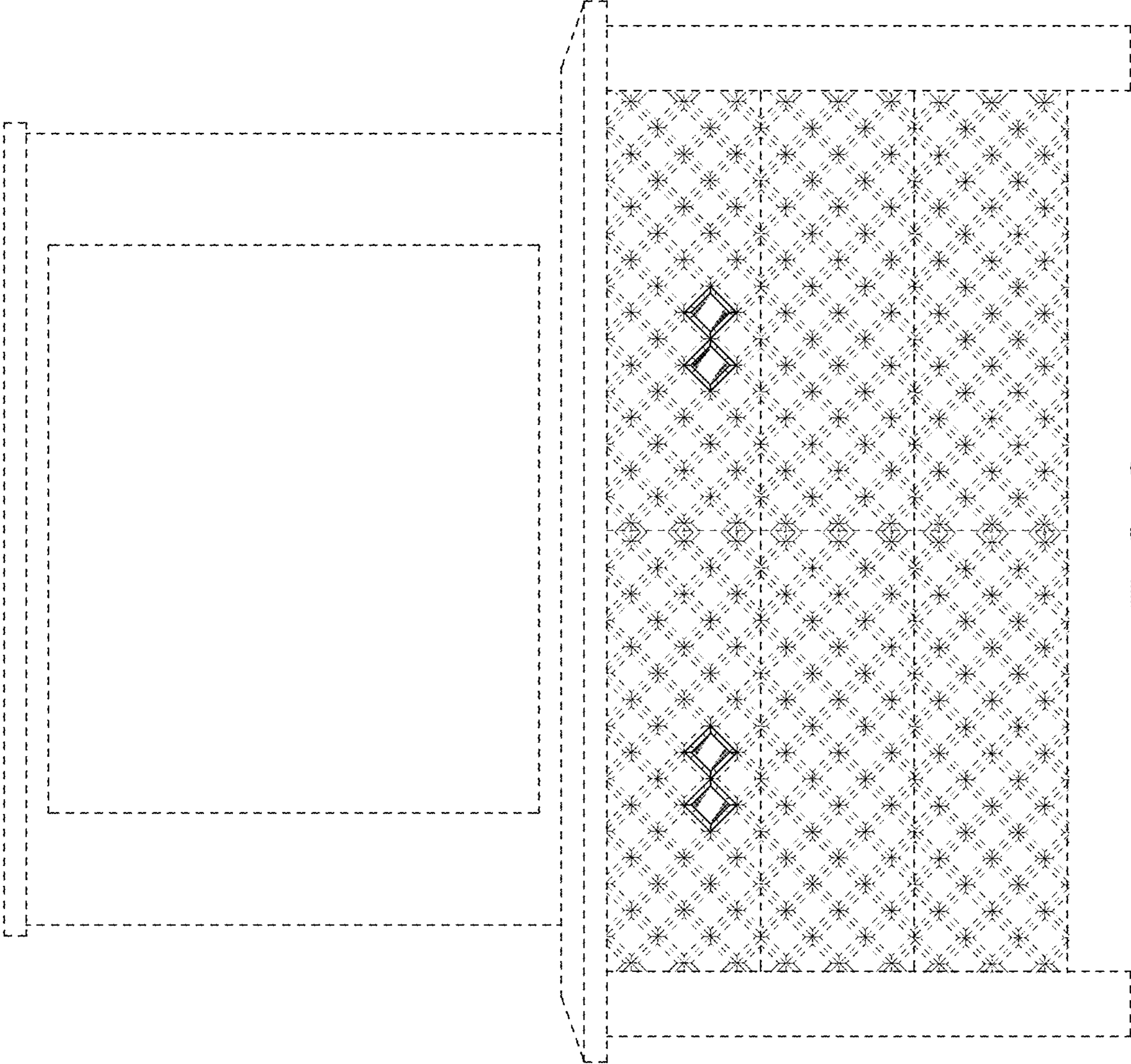


FIG. 8

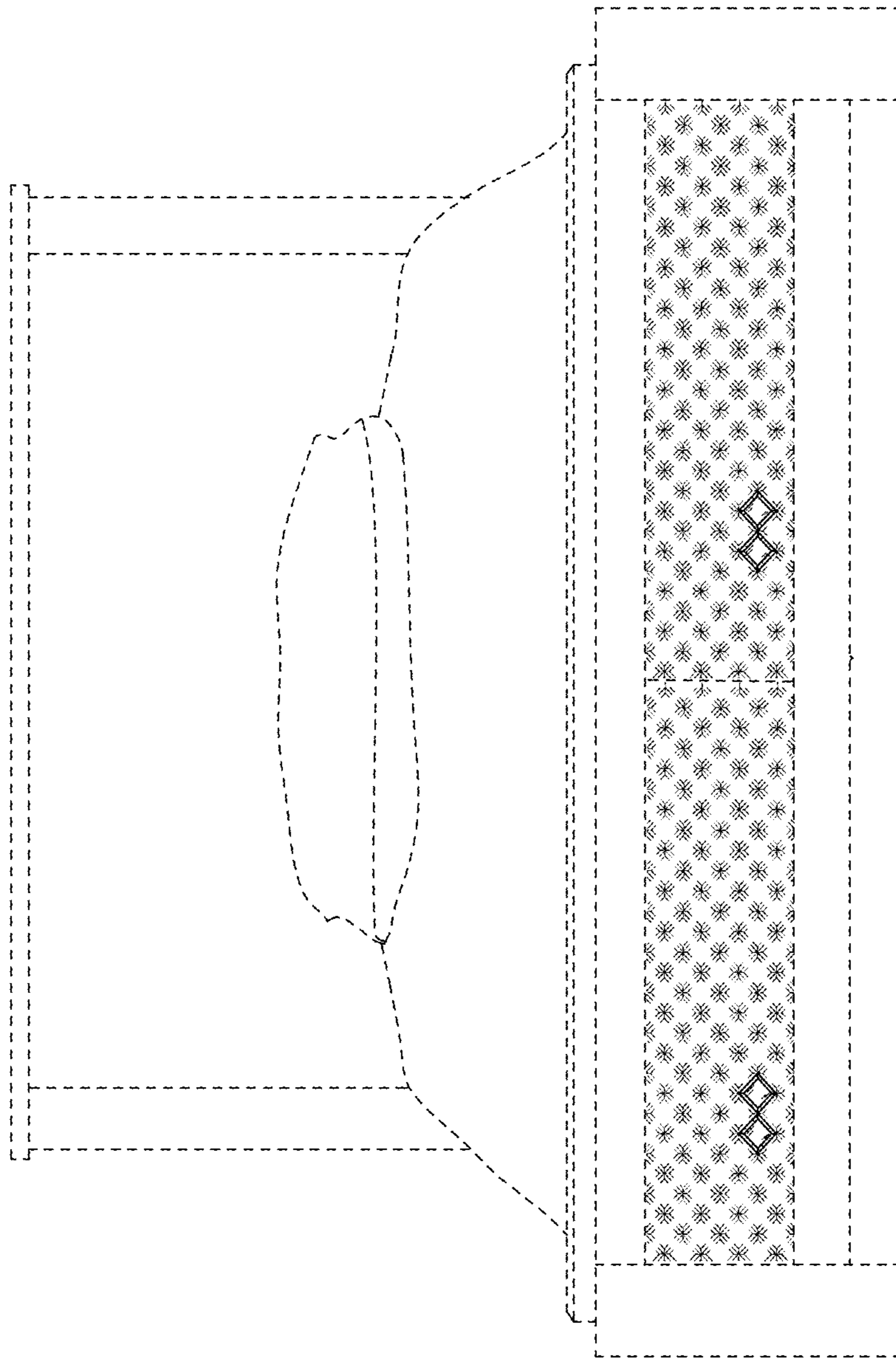


FIG. 9