



US00D896010S

(12) **United States Design Patent**
Hay

(10) **Patent No.:** **US D896,010 S**

(45) **Date of Patent:** **** *Sep. 15, 2020**

- (54) **TABLE**
- (71) Applicant: **HAY ApS**, Horsens (DK)
- (72) Inventor: **Rolf Hay**, Horsens (DK)
- (73) Assignee: **HAY APS**, Horsens (DK)
- (*) Notice: This patent is subject to a terminal disclaimer.
- (**) Term: **15 Years**
- (21) Appl. No.: **29/658,744**
- (22) Filed: **Aug. 2, 2018**
- (51) **LOC (12) Cl.** **06-03**
- (52) **U.S. Cl.**
USPC **D6/691**
- (58) **Field of Classification Search**
USPC ... D6/349, 685, 686, 690, 691, 691.1–691.9,
D6/692, 692.1–692.6, 702, 708, 708.17,
D6/709, 709.16, 709.2, 709.21
CPC A47B 7/00; A47B 13/00; A47B 13/02;
A47B 13/04; A47B 13/06; A47B 13/08;
A47B 13/10; A47B 13/12; A47B 17/00;
A47B 21/00; A47B 2200/0001; A47B
2200/0011; A47B 2200/002
See application file for complete search history.

- D793,135 S * 8/2017 Manente D6/692
- D817,675 S * 5/2018 Starck D6/692
- D855,363 S * 8/2019 Grossinger D6/691

OTHER PUBLICATIONS

Dover Mid-Century Modern Dining Table with Flared Legs—Sadler’s Home Furnishings <https://www.sadlers.com/item/dover-dining-table-small/1655930307> retrieved from the internet on Mar. 2, 2020.*

<https://www.pilasterdesigns.com/products/pyke-kitchen-dinette-dining-table-with-flared-legs-cappuccino-wood-frame-tempered-glass-top-47-rectangular-transitional?variant=12962328707127> retrieved from the internet on Mar. 2, 2020.*

Hay Copenhagen CPH20 Table—Mohd Design Shop https://shop.mohd.it/en/copenhagen-cph20-table.html?_cf_chl_jschl_tk_=e8486c404112c1171e47072990f96edd5f777fdd-1583161631-0-ASvufeC1wmD8PV-IMaEhtNWEAC0ESAMcCOLZ0nWv3IP8qqAVNXuT5jQT0GH8ek2vB3gKKKblz7aTqd4jdkhfV8r retrieved from the internet on Mar. 2, 2020.*

* cited by examiner

Primary Examiner — Mary Ann Calabrese
(74) *Attorney, Agent, or Firm* — Cantor Colburn LLP

(57) **CLAIM**

I claim, the ornamental design for a table, as shown and described.

DESCRIPTION

FIG. 1 is a perspective view of a table, showing my new design;
FIG. 2 is a side view thereof, the opposite side view being a mirror image thereof;
FIG. 3 is a front view thereof, the opposite rear view being a mirror image thereof;
FIG. 4 is a top view thereof; and,
FIG. 5 is a bottom view thereof.

1 Claim, 5 Drawing Sheets

(56) **References Cited**

U.S. PATENT DOCUMENTS

- D33,437 S * 10/1900 Haskell D6/708
- 1,899,082 A * 2/1933 De Saussure, Jr. A47B 3/00
108/158
- D280,275 S * 8/1985 Criqui D6/692.4
- D463,164 S * 9/2002 Davis D6/691
- D477,475 S * 7/2003 Moore D6/692.4
- D482,215 S * 11/2003 Chadwick D6/692
- D666,845 S * 9/2012 Lievore A47B 3/00
D6/691
- D788,503 S * 6/2017 Duvigneau D6/691.6

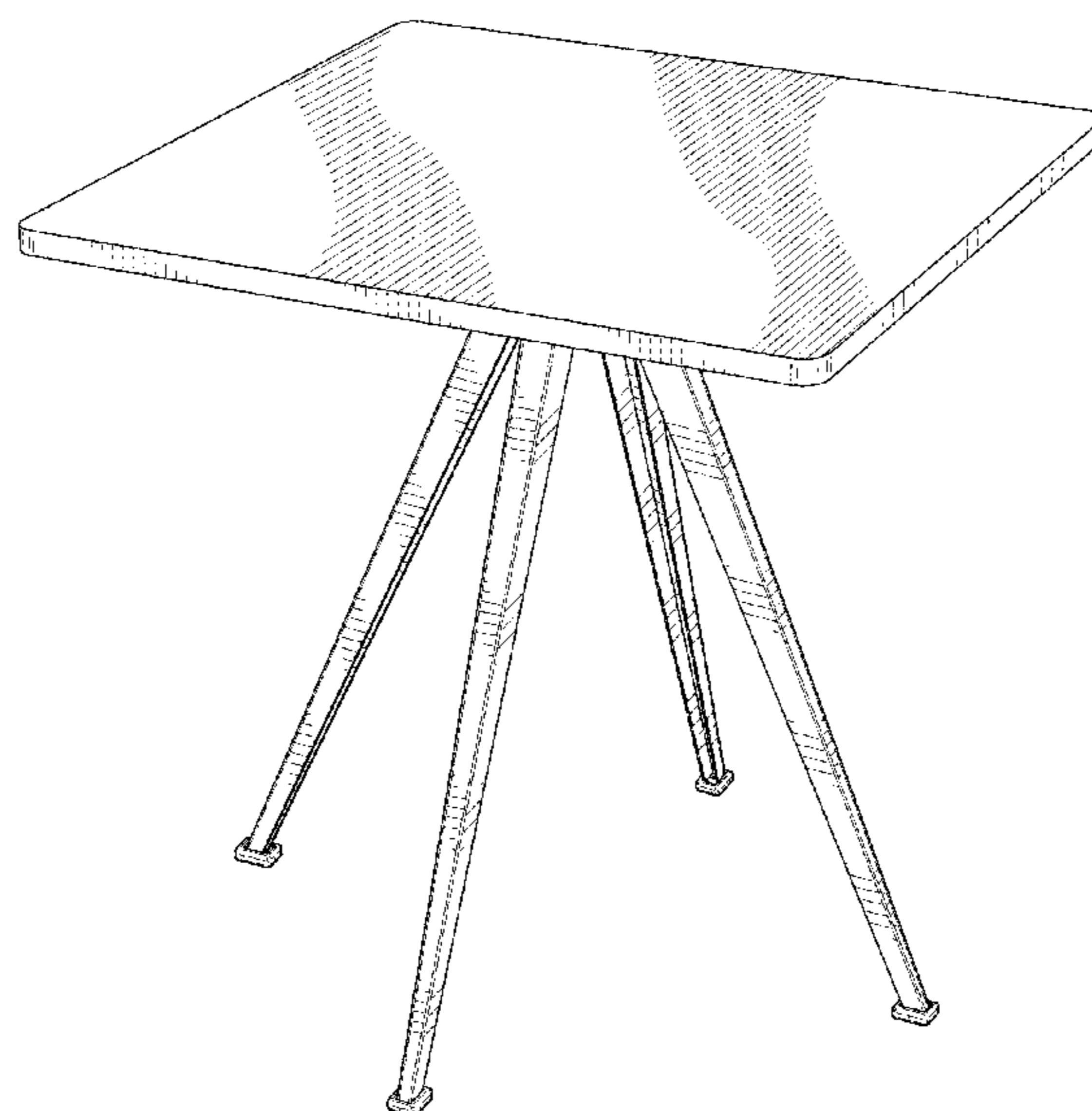




FIG. 1

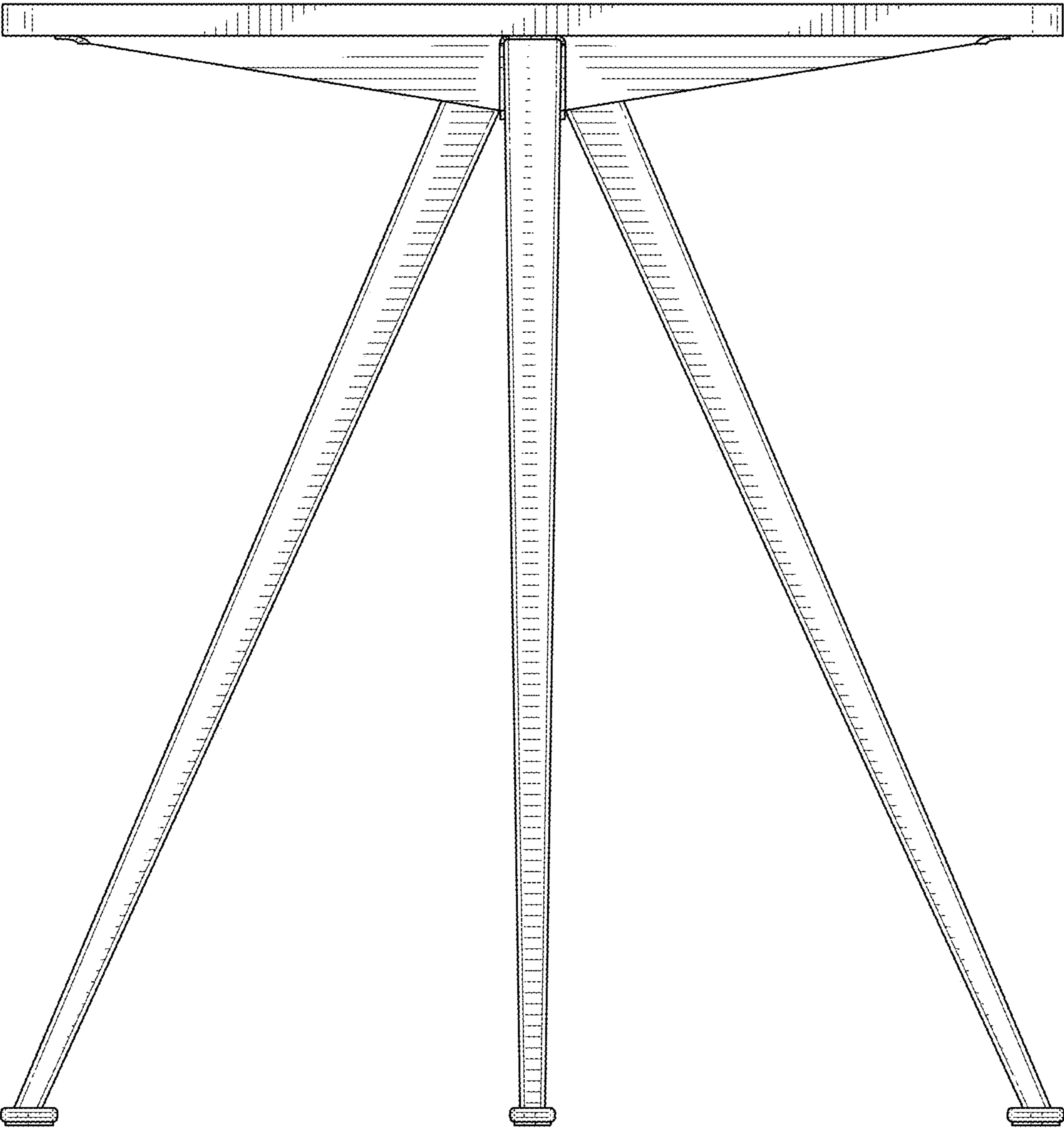


FIG. 2

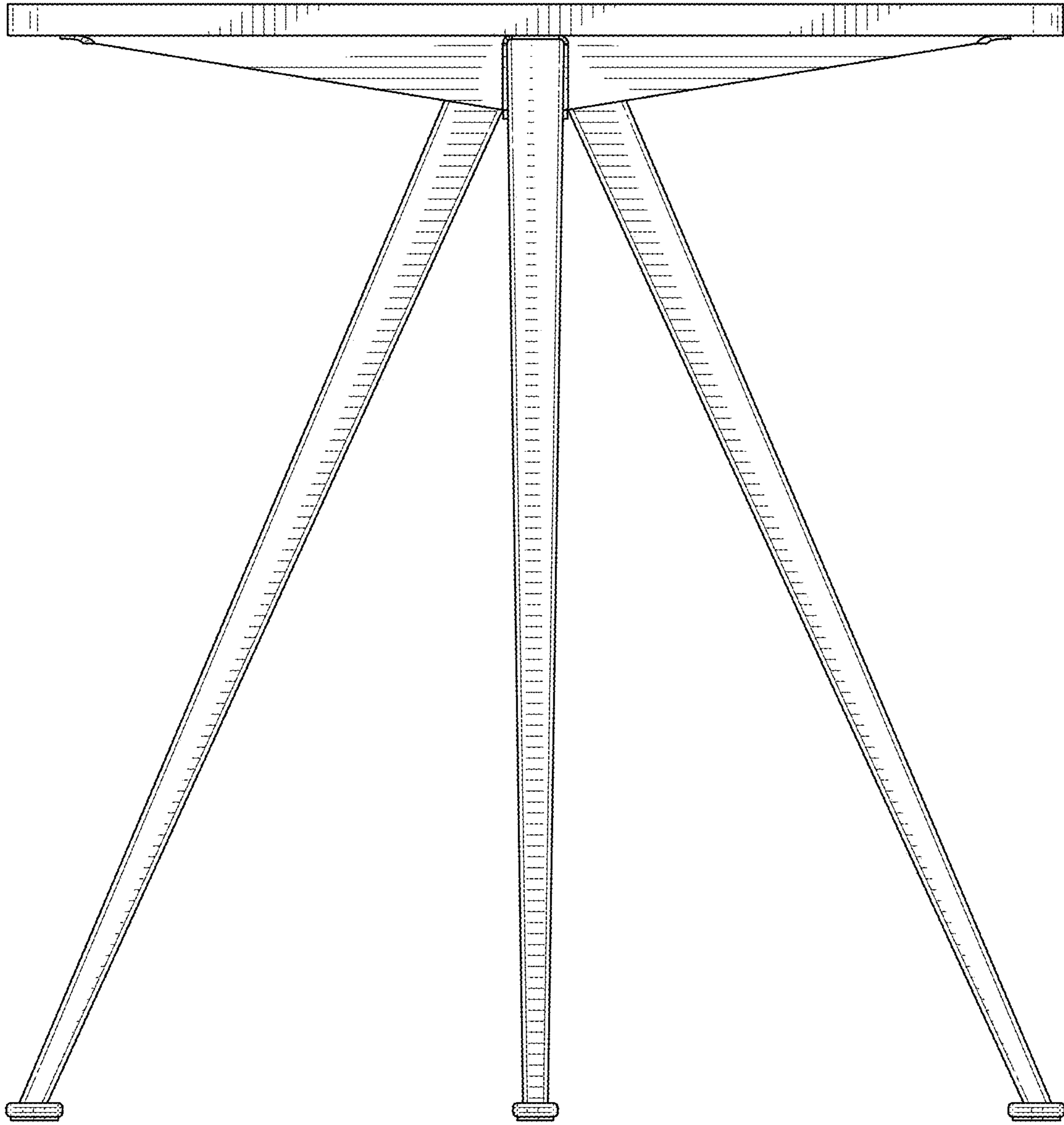


FIG. 3

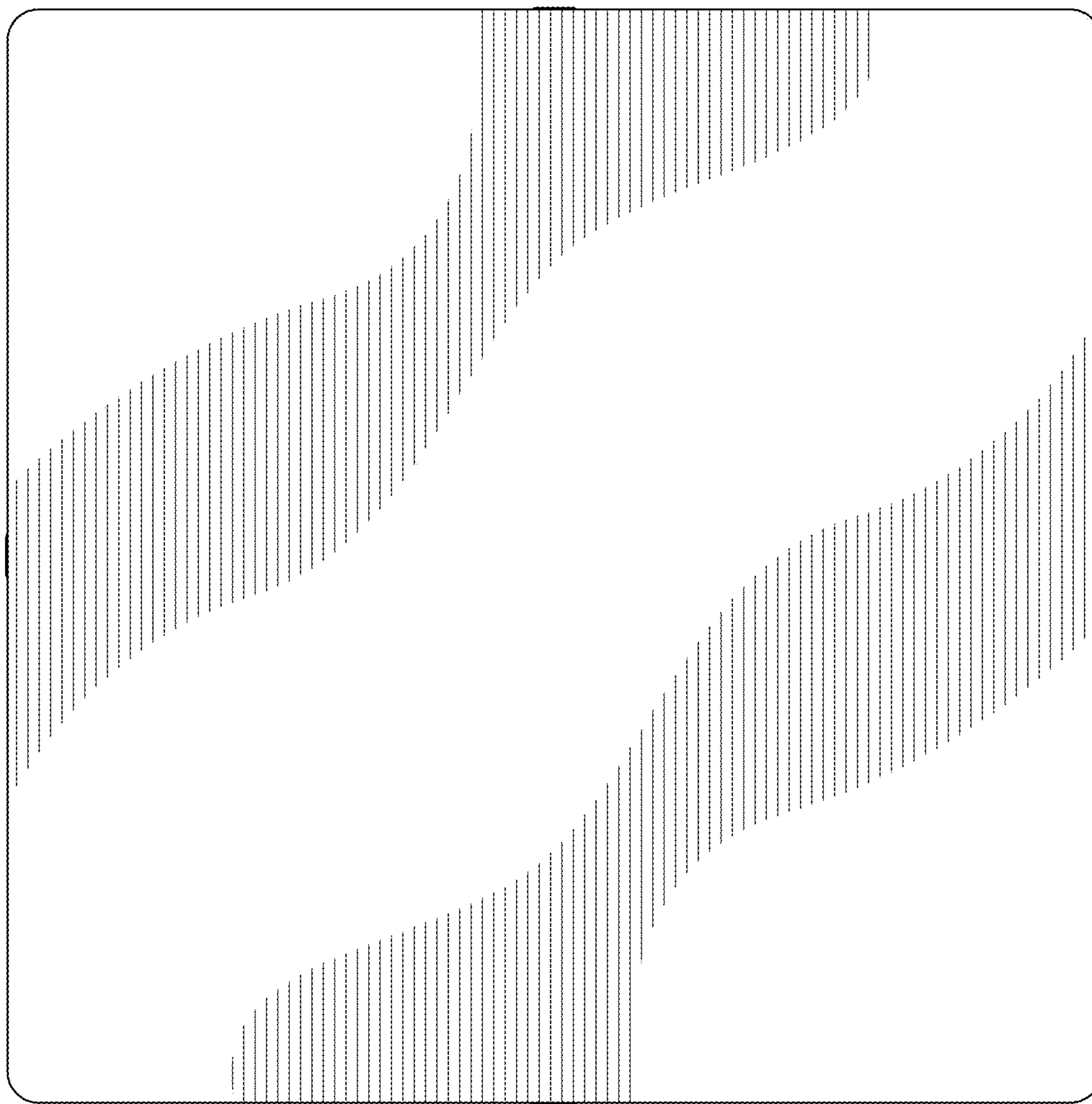


FIG. 4

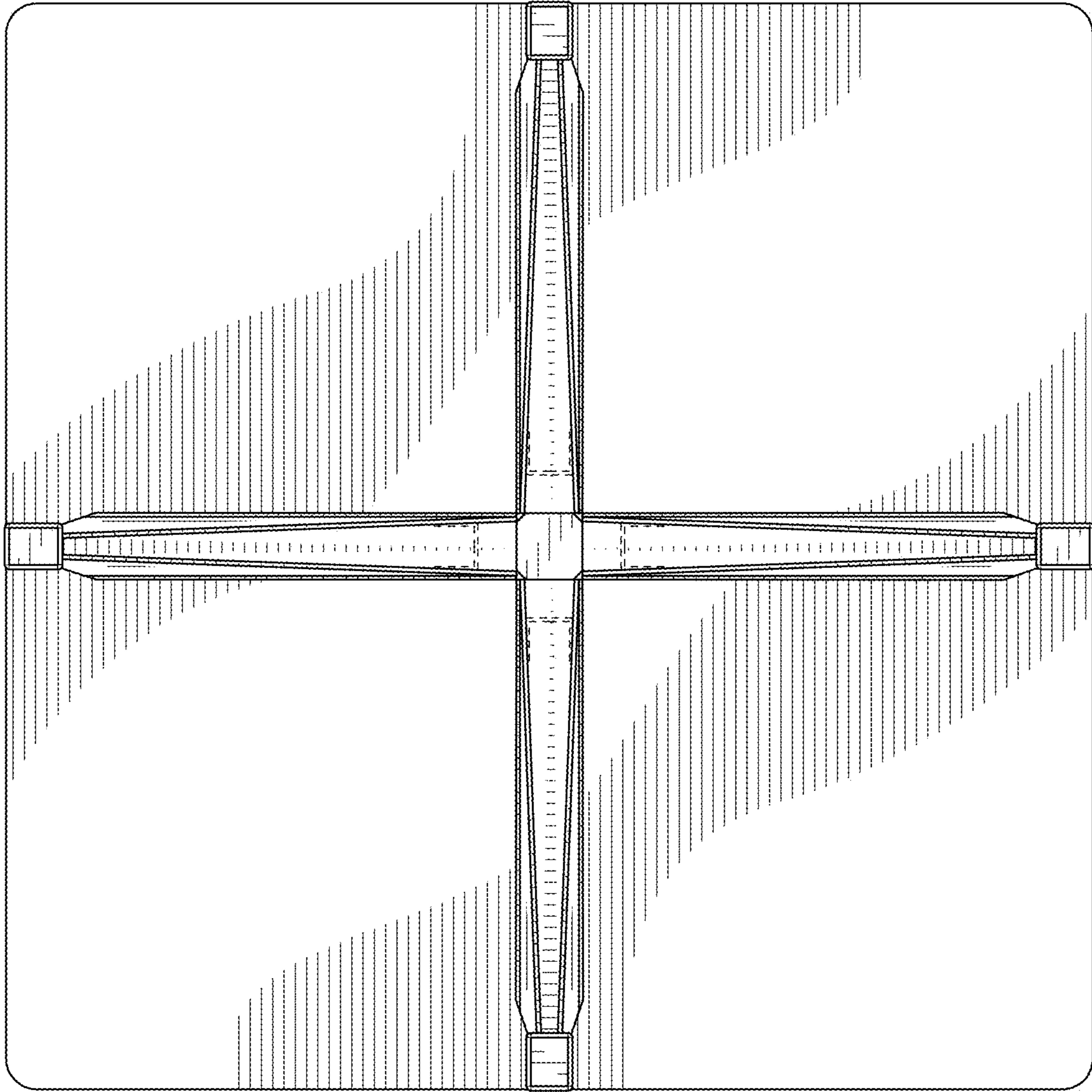


FIG. 5