



US00D896009S

(12) **United States Design Patent** (10) **Patent No.:** **US D896,009 S**  
**Holmes et al.** (45) **Date of Patent:** **\*\* Sep. 15, 2020**

(54) <b>DISPLAY STAND</b>	2,838,971 A	6/1958	Shekter
	3,006,226 A	10/1961	Poysa
(71) Applicants: <b>William Holmes</b> , Grasonville, MD	3,051,473 A	8/1962	Walter
(US); <b>Lisa Holmes</b> , Grasonville, MD	3,223,405 A	12/1965	Wilson
(US)	3,223,407 A	12/1965	Marvin
	3,272,183 A *	9/1966	Craighead ..... B41J 29/15 248/453
(72) Inventors: <b>William Holmes</b> , Grasonville, MD	3,590,458 A	7/1971	Day
(US); <b>Lisa Holmes</b> , Grasonville, MD	3,715,823 A	2/1973	Brossard
(US)	3,738,638 A	6/1973	Lassy
	4,226,144 A	10/1980	Pliley
(**) Term: <b>15 Years</b>	4,345,750 A	8/1982	Glaser
	4,352,476 A	10/1982	Meeks
(21) Appl. No.: <b>29/677,853</b>	4,468,022 A	8/1984	Wu
	4,573,669 A	3/1986	Gerry
(22) Filed: <b>Jan. 24, 2019</b>	4,616,796 A	10/1986	Inoue
	4,685,647 A *	8/1987	Calhoun ..... B42F 17/16 248/444.1

**Related U.S. Application Data**

(63) Continuation-in-part of application No. 15/878,964, filed on Jan. 24, 2018, now abandoned.

(51) **LOC (12) Cl.** ..... **06-06**

(52) **U.S. Cl.**  
USPC ..... **D6/682.3**

(58) **Field of Classification Search**  
USPC ..... D6/672, 675, 675.1, 680, 680.2, 682, D6/682.1, 682.2, 682.4, 512, 702, 682.3; D19/75, 77, 86, 91, 92  
CPC .. A47F 1/04; A47F 3/14; A47F 5/0018; A47F 5/101; A47F 5/00; A47F 5/0081; A47F 5/10  
See application file for complete search history.

**References Cited**

**U.S. PATENT DOCUMENTS**

1,506,641 A	8/1924	Hunke et al.	
1,798,342 A	3/1931	Trepte	
D132,985 S *	7/1942	Lyons .....	D6/673
2,392,310 A	1/1946	Christopher	
2,480,415 A	8/1949	Mettler	
2,505,615 A *	4/1950	Glass .....	A45D 42/16 248/463

(Continued)

*Primary Examiner* — Kelley A Donnelly  
(74) *Attorney, Agent, or Firm* — Boudwin Intellectual Property; Daniel Boudwin

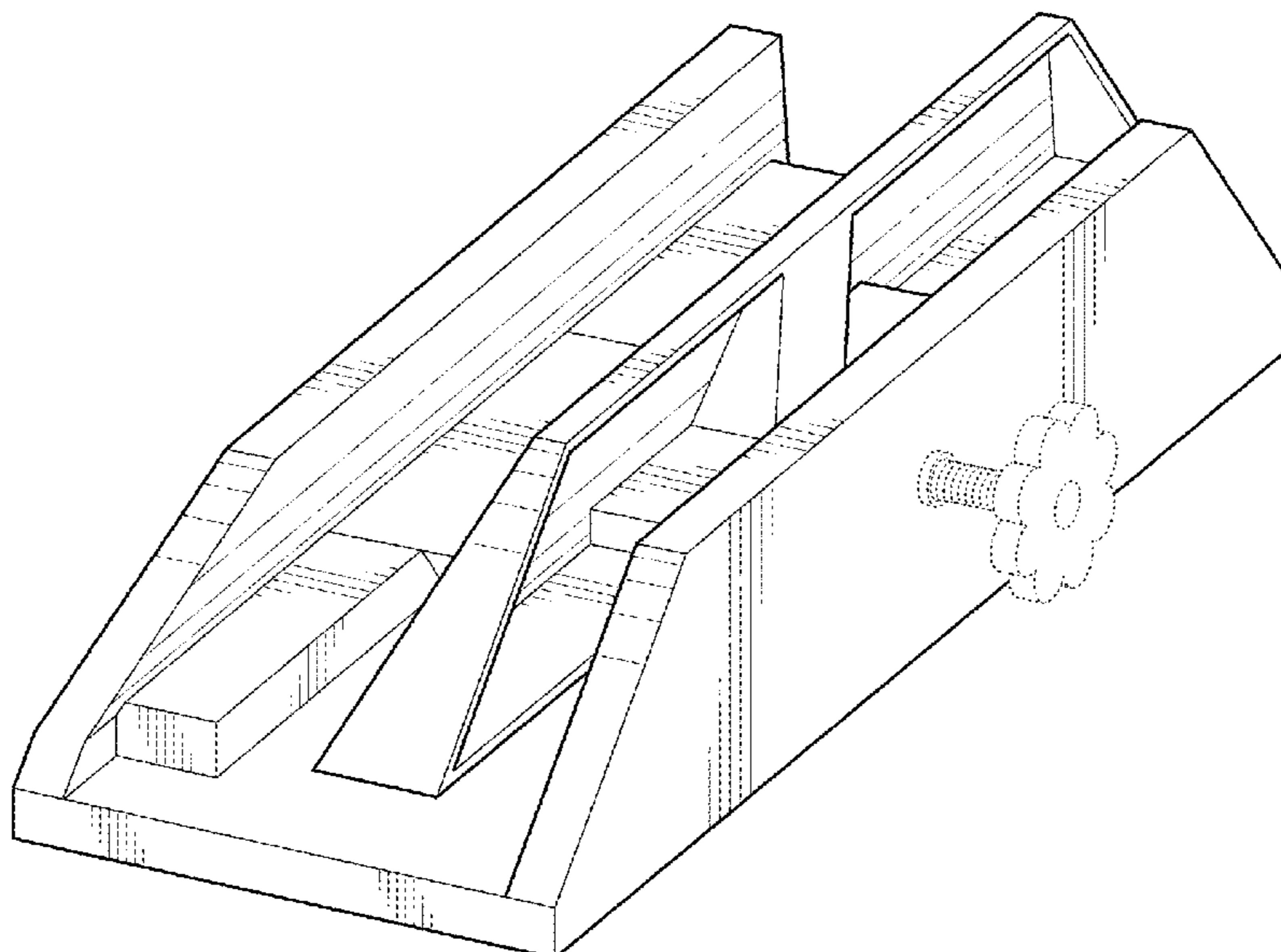
(57) **CLAIM**

The ornamental design for a display stand, as shown and described.

**DESCRIPTION**

FIG. 1 shows a perspective view of a display stand; FIG. 2 shows a front view thereof; FIG. 3 shows a rear view thereof; FIG. 4 shows a right side view thereof; FIG. 5 shows a left side view thereof; FIG. 6 shows a top plan view thereof; and, FIG. 7 shows a bottom plan view thereof. The shade lines in the Figures show contour and not surface ornamentation. The broken lines shown in the Figures show portions of the display stand which form no part of the claimed design.

**1 Claim, 4 Drawing Sheets**



(56)

References Cited

U.S. PATENT DOCUMENTS

4,767,110 A	8/1988	Yang		7,762,517 B1	7/2010	Leseman	
4,775,121 A	10/1988	Carty		7,798,459 B2	9/2010	Dickson	
4,819,921 A	4/1989	Takahashi		D639,582 S *	6/2011	Mischkulnig .....	D6/675.3
4,834,356 A	5/1989	Fox		8,002,254 B2	8/2011	Bayer et al.	
4,861,010 A	8/1989	Neil		8,047,517 B2	11/2011	Lacobelli et al.	
4,892,284 A	1/1990	Kelrick		8,167,292 B1	5/2012	Mucciacciaro et al.	
D316,347 S *	4/1991	Getto .....	D18/48	8,191,879 B2	6/2012	Jang	
5,141,213 A	8/1992	Chern		8,484,819 B2	7/2013	Hess et al.	
5,193,791 A	3/1993	Schwarz		8,727,142 B2 *	5/2014	Shapiro .....	A47B 97/00 211/70.7
D336,182 S *	6/1993	Machut .....	D6/310	D707,476 S *	6/2014	Sawhney .....	D6/682.4
D369,039 S *	4/1996	Guccione .....	D6/682	D720,564 S *	1/2015	Buller .....	D6/682
5,720,476 A	2/1998	Swann et al.		9,004,476 B2	4/2015	Schmidt	
5,806,826 A	9/1998	Lemire		D730,888 S *	6/2015	Malsan .....	D14/253
5,890,603 A	4/1999	Arguin et al.		D771,422 S *	11/2016	Greenwood .....	D6/706
5,947,438 A	9/1999	Lemire		D771,615 S *	11/2016	Pignotti .....	D14/253
6,039,313 A	3/2000	Baculy		9,605,790 B1 *	3/2017	Alonzo .....	G06F 1/1626
6,138,999 A	10/2000	Gombinsky		D789,122 S *	6/2017	Drumm .....	D6/682.4
6,152,435 A	11/2000	Snell		D815,471 S *	4/2018	Radford .....	D6/675.4
6,170,813 B1	1/2001	Bowers		D858,155 S *	9/2019	Xu .....	D6/682.4
6,464,216 B2	10/2002	Weaver et al.		2002/0109282 A1	8/2002	Peck	
6,640,666 B2	11/2003	Pliley		2004/0140602 A1	7/2004	Gerritsen et al.	
6,641,126 B2	11/2003	Yang		2005/0184439 A1	8/2005	Janson et al.	
6,659,418 B2	12/2003	Lemire		2005/0279721 A1	12/2005	Zoroufy	
6,946,604 B1	9/2005	Maris		2009/0224453 A1	9/2009	Duss et al.	
7,055,360 B2	6/2006	Hamerski et al.		2013/0127104 A1	5/2013	Onello et al.	
7,134,650 B2	11/2006	Trudel et al.		2015/0174503 A1	6/2015	Vogel	
D574,375 S *	8/2008	Prest .....	D14/217	2015/0272353 A1	10/2015	Christodoulou	
				2015/0336241 A1	11/2015	Engibarov	
				2016/0309927 A1	10/2016	Krake et al.	

\* cited by examiner

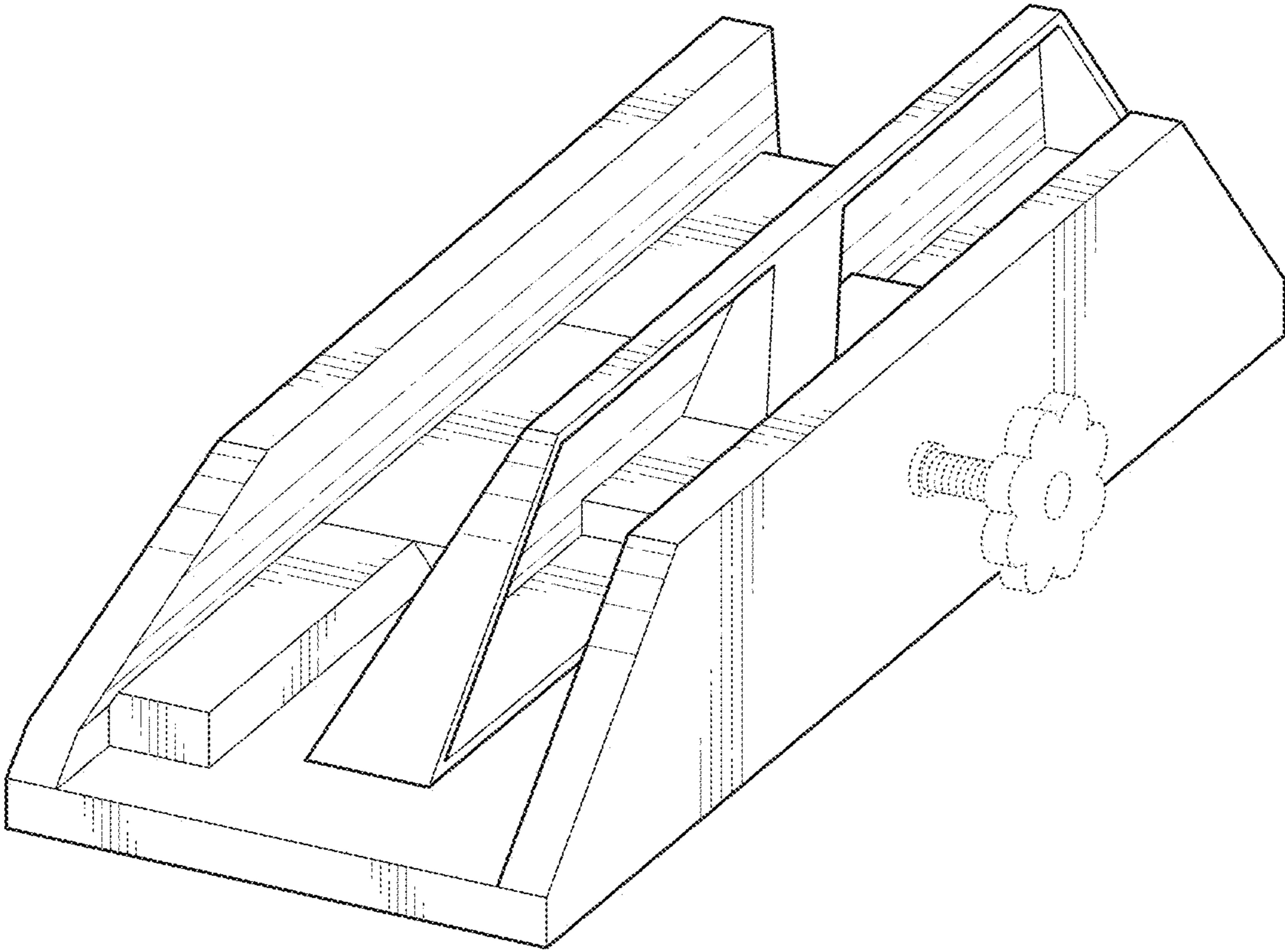


FIG. 1

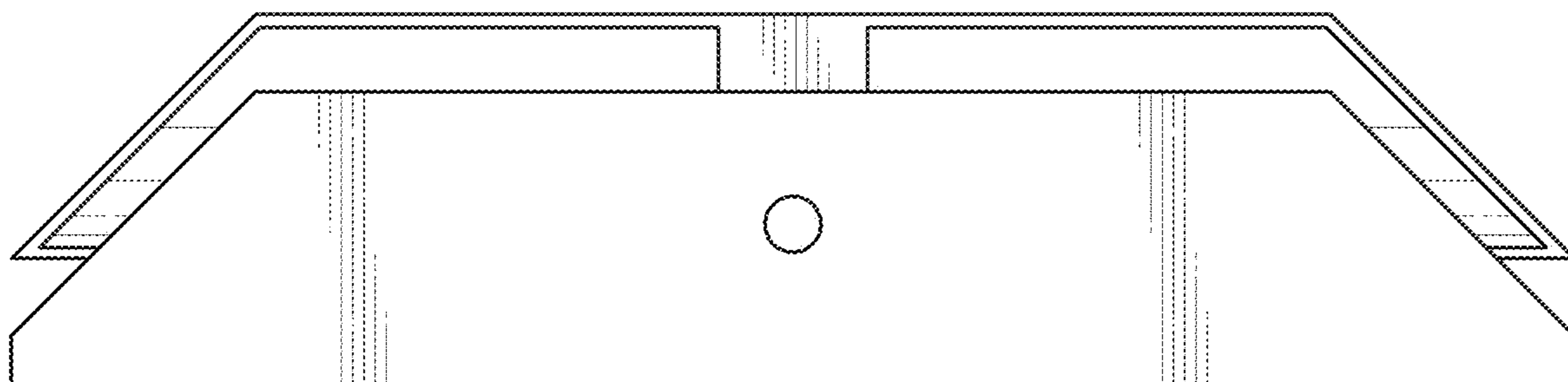


FIG. 2

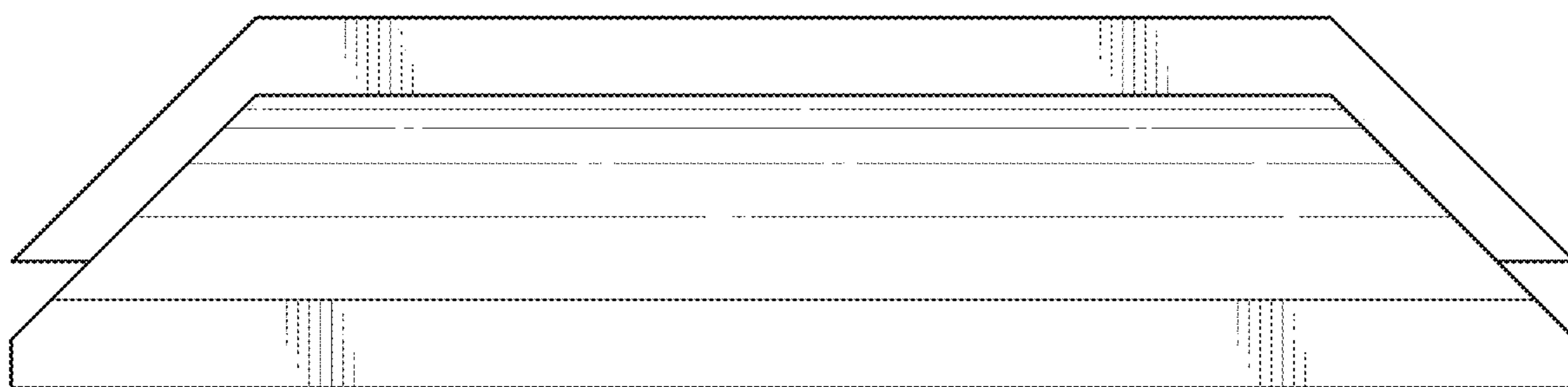
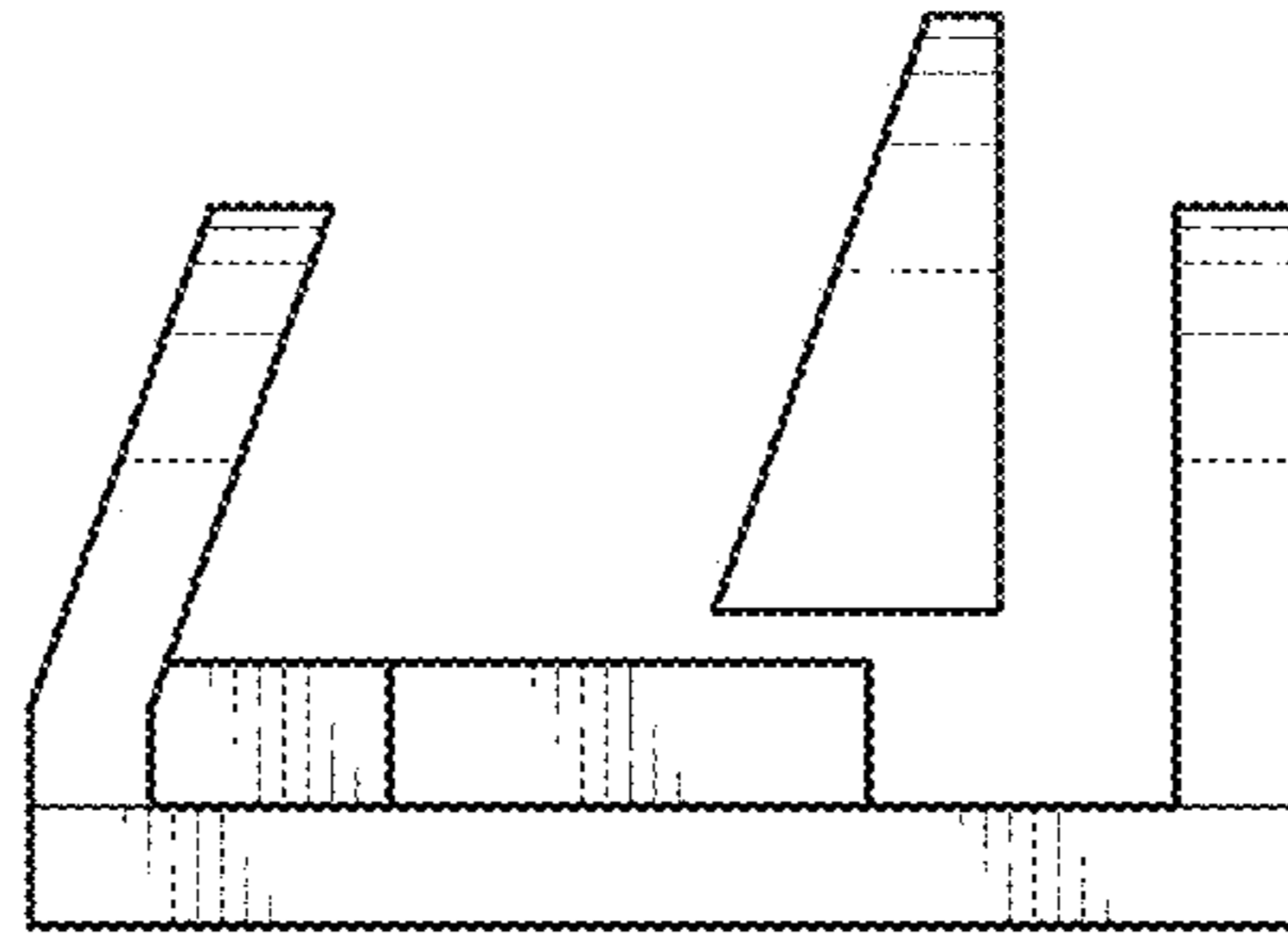
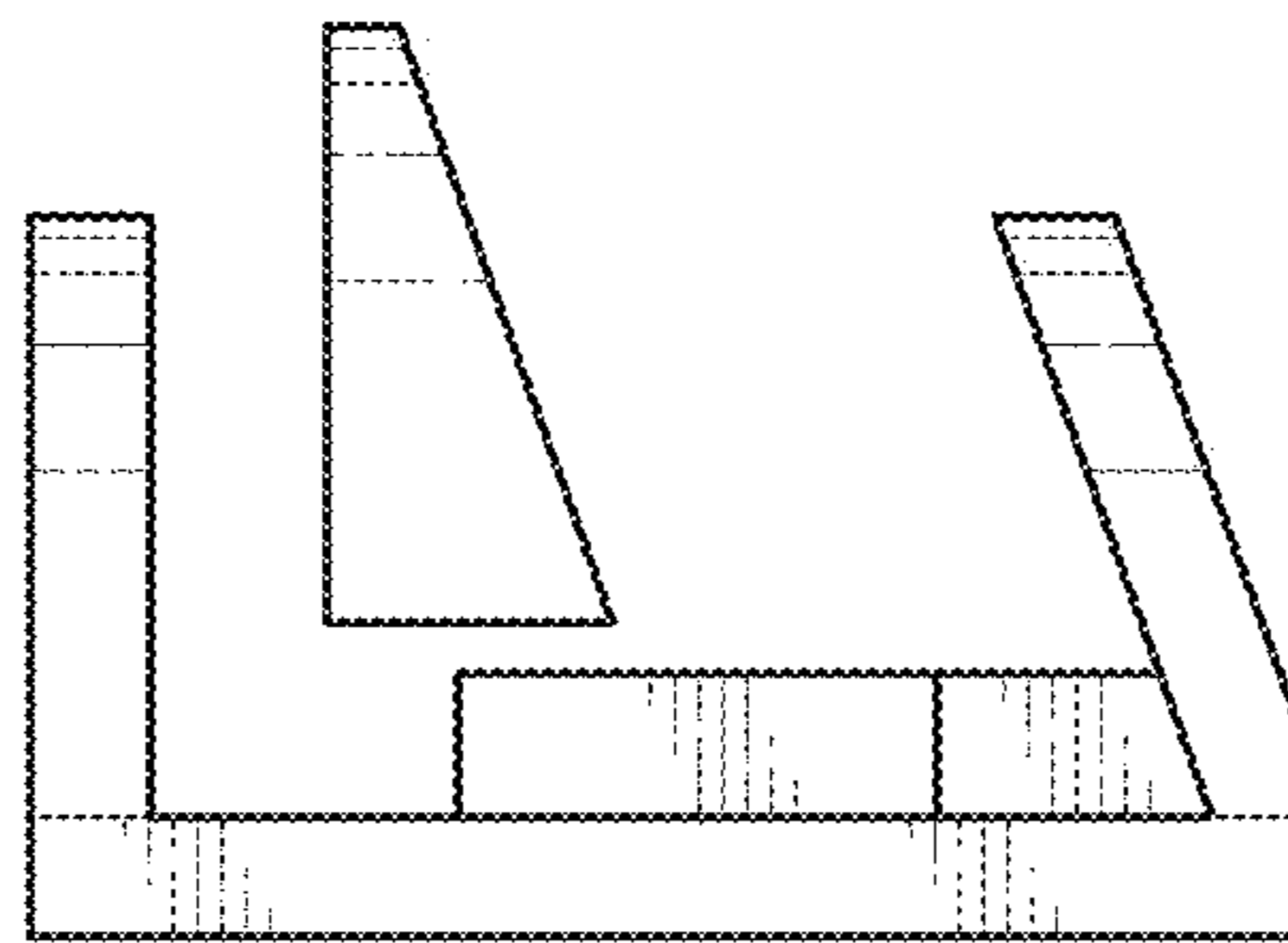


FIG. 3



**FIG. 4**



**FIG. 5**

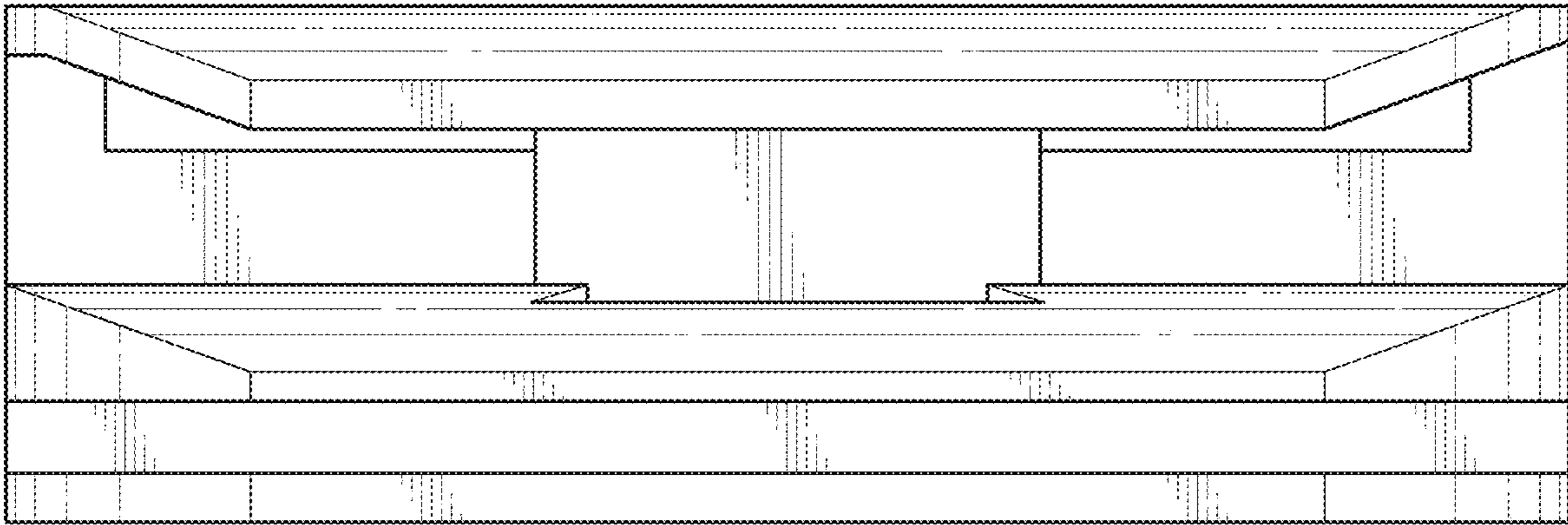


FIG. 6

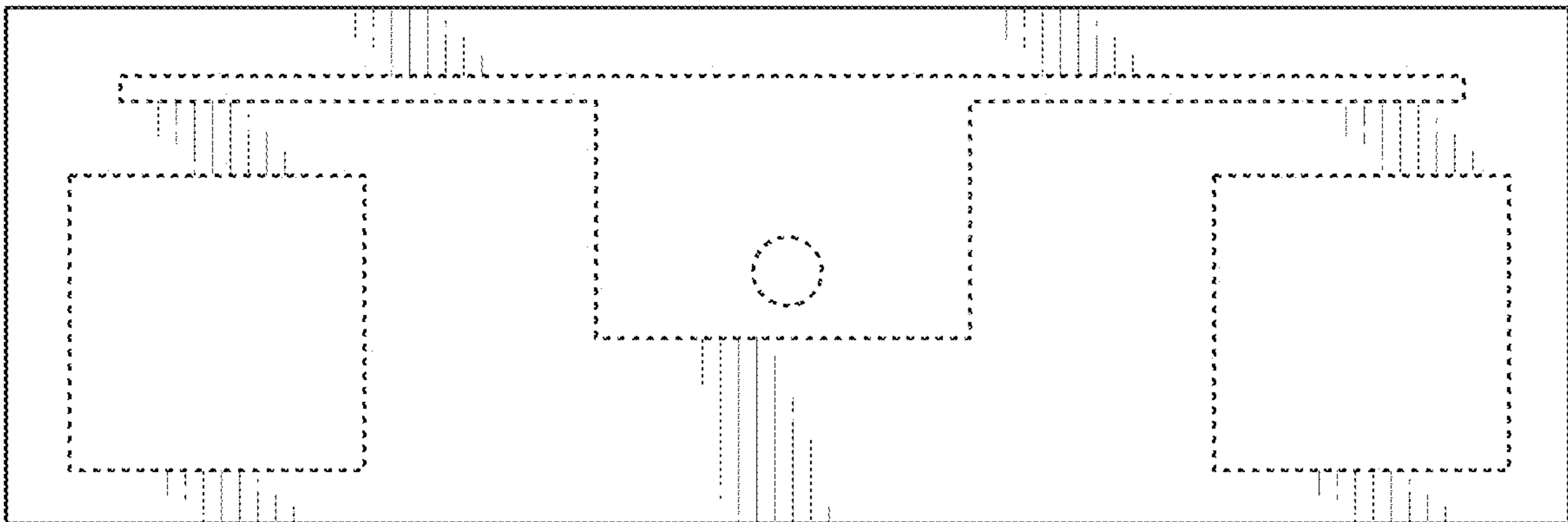


FIG. 7