



US00D896008S

(12) **United States Design Patent** (10) **Patent No.:** **US D896,008 S**  
**Xiao** (45) **Date of Patent:** **\*\* Sep. 15, 2020**

(54) **FILING CABINET**

(71) Applicant: **LUOYANG STEELART OFFICEFURNITURE CO., LTD.**,  
Luoyang (CN)

(72) Inventor: **Jian Xiao**, Xinyang (CN)

(73) Assignee: **LUOYANG STEELART OFFICEFURNITURE CO., LTD.**,  
Luoyang (CN)

(\*\*) Term: **15 Years**

(21) Appl. No.: **29/730,975**

(22) Filed: **Apr. 10, 2020**

(51) **LOC (12) Cl.** ..... **06-04**

(52) **U.S. Cl.**  
USPC ..... **D6/671.1**

(58) **Field of Classification Search**  
USPC ..... D6/663, 664, 671, 671.1, 671.2, 671.3,  
D6/671.4

CPC ..... A47B 17/04; A47B 43/00; A47B 45/00;  
A47B 46/005; A47B 63/00; A47B 67/00;  
A47B 67/04; A47B 88/00; A47B 88/04;  
E05B 65/462

See application file for complete search history.

(56) **References Cited**

**U.S. PATENT DOCUMENTS**

3,767,280 A \* 10/1973 McLaughlin ..... E05B 65/462  
312/219  
5,385,039 A \* 1/1995 Feldpausch ..... E05B 65/462  
312/219

D649,376 S \* 11/2011 Borgonovo ..... D6/671.1  
D759,995 S 6/2016 Miller et al.  
D770,815 S \* 11/2016 Jackson ..... D6/671.1  
D771,416 S 11/2016 Miller et al.

**FOREIGN PATENT DOCUMENTS**

CH 697252 B1 \* 7/2008 ..... E05B 65/462  
DE 102012109751 A1 \* 4/2014 ..... E05B 65/464  
WO WO-8606779 A1 \* 11/1986 ..... E05B 65/462

\* cited by examiner

*Primary Examiner* — Mimososa De

(57) **CLAIM**

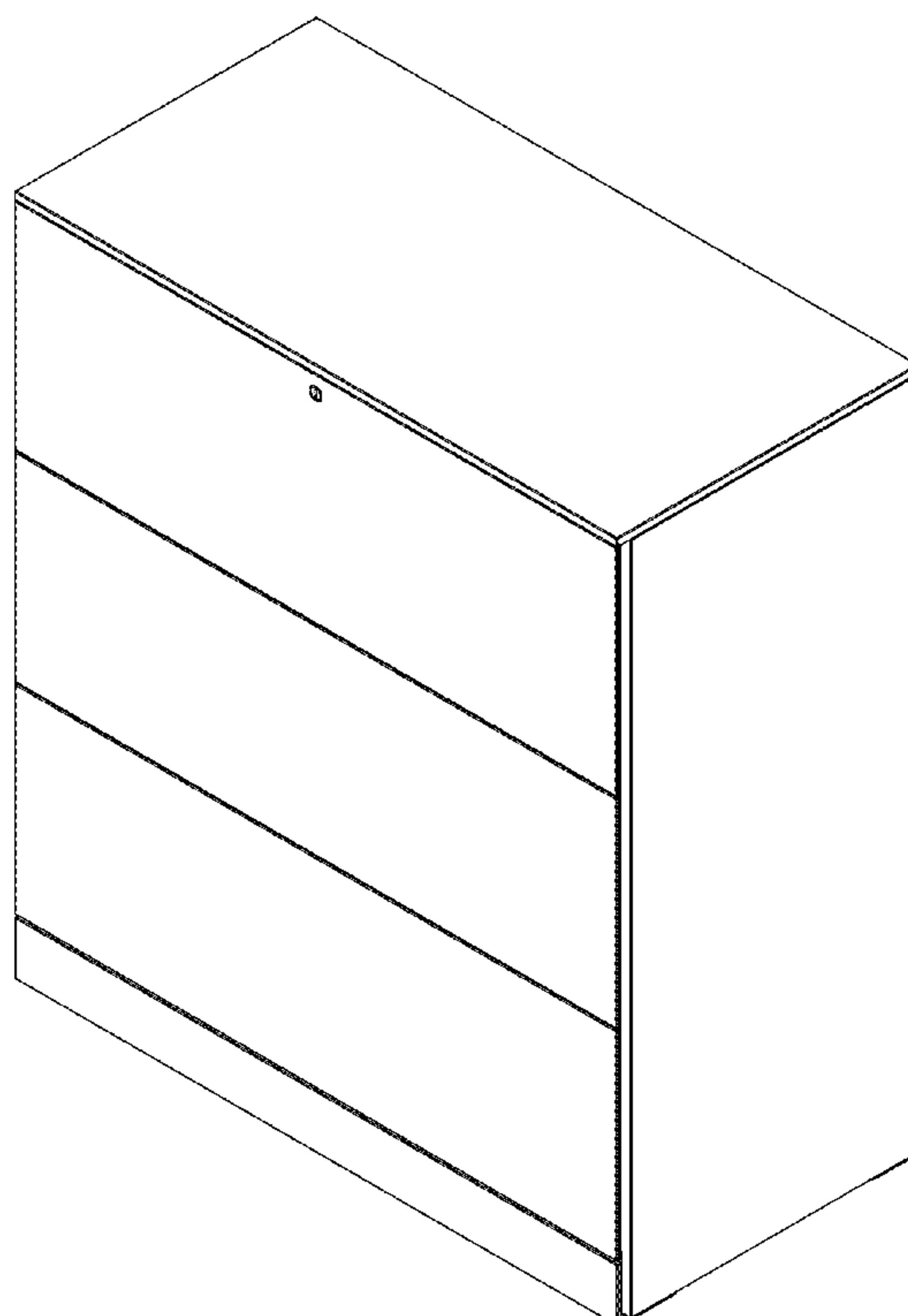
The ornamental design for a filing cabinet, as shown and described.

**DESCRIPTION**

FIG. 1 is a perspective view of a filing cabinet showing my new design;  
FIG. 2 is another perspective view thereof;  
FIG. 3 is a front elevational view thereof;  
FIG. 4 is a rear elevational view thereof;  
FIG. 5 is a left side elevational view thereof;  
FIG. 6 is a right side elevational view thereof;  
FIG. 7 is a bottom plan view thereof; and,  
FIG. 8 is a top plan view thereof.

The broken lines in the drawings depict portions of the filing cabinet that form no part of the claimed design.

**1 Claim, 8 Drawing Sheets**



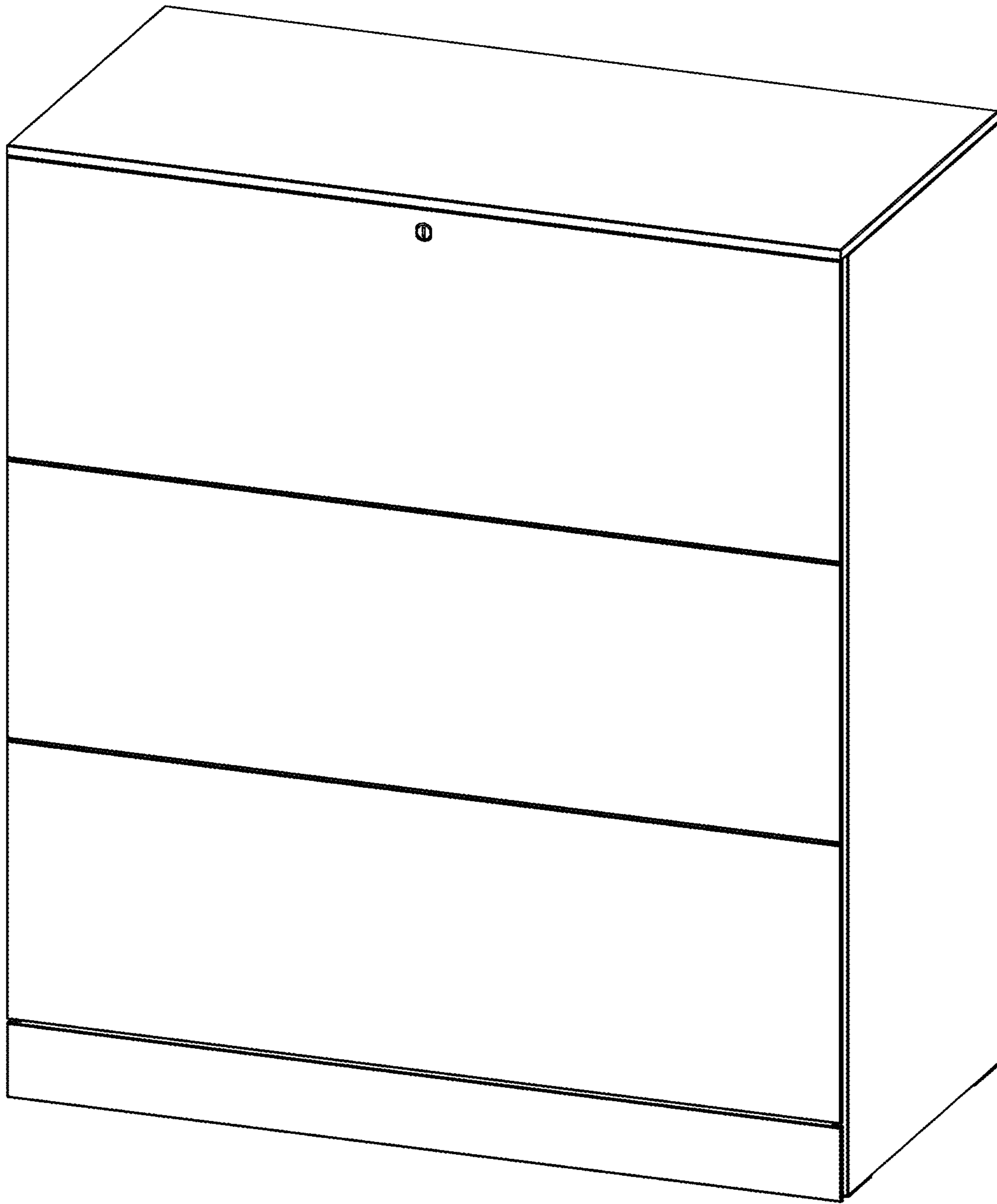


FIG. 1

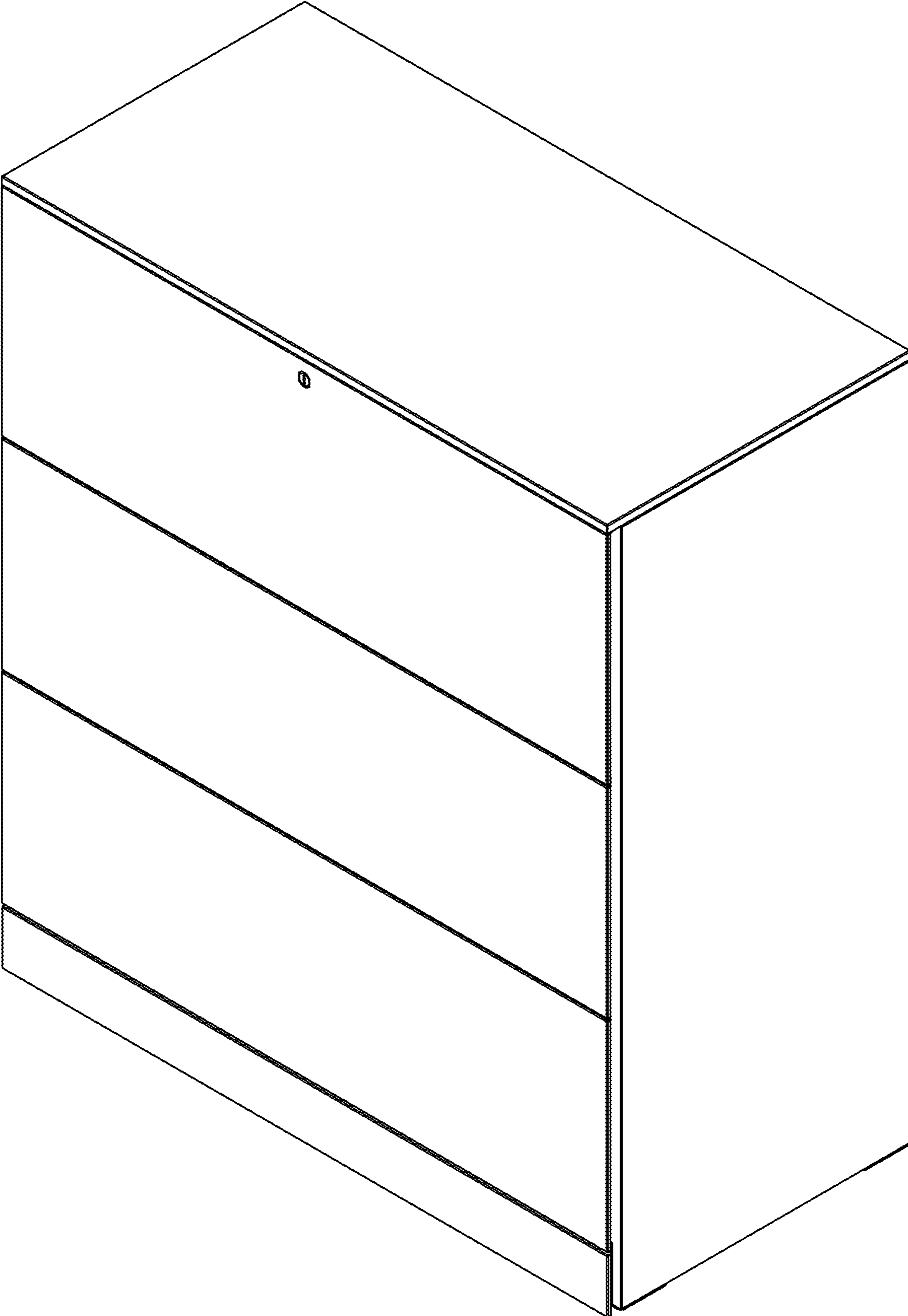


FIG. 2



FIG. 3

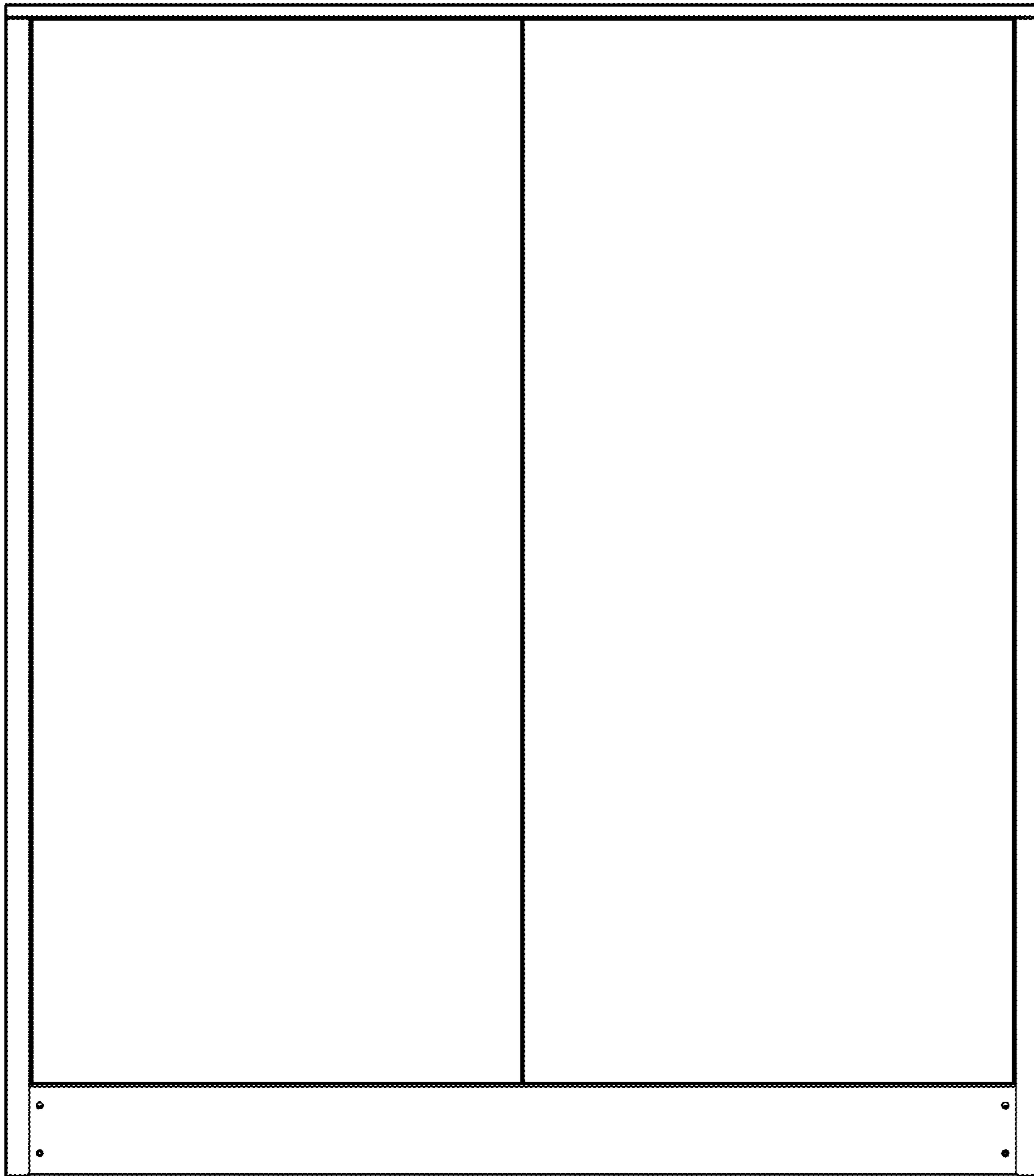


FIG. 4

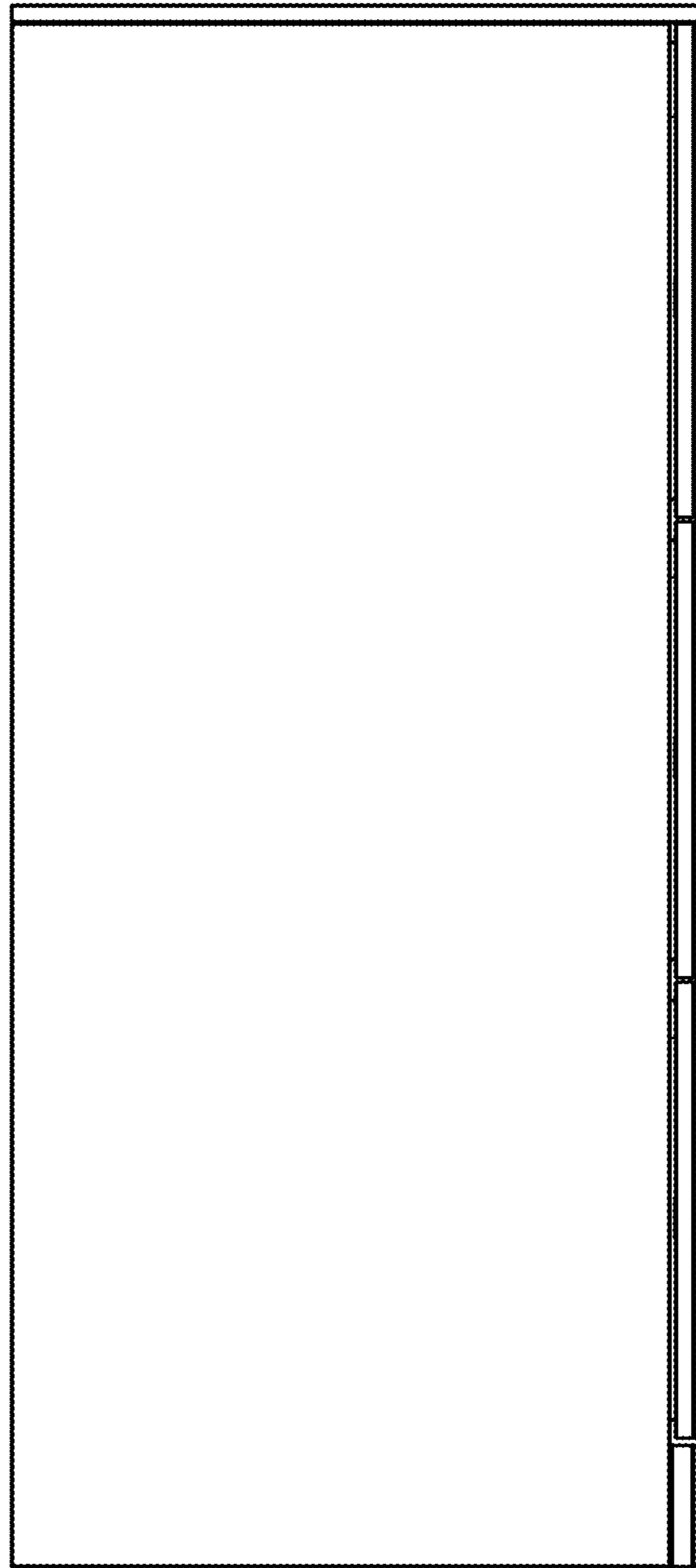


FIG. 5

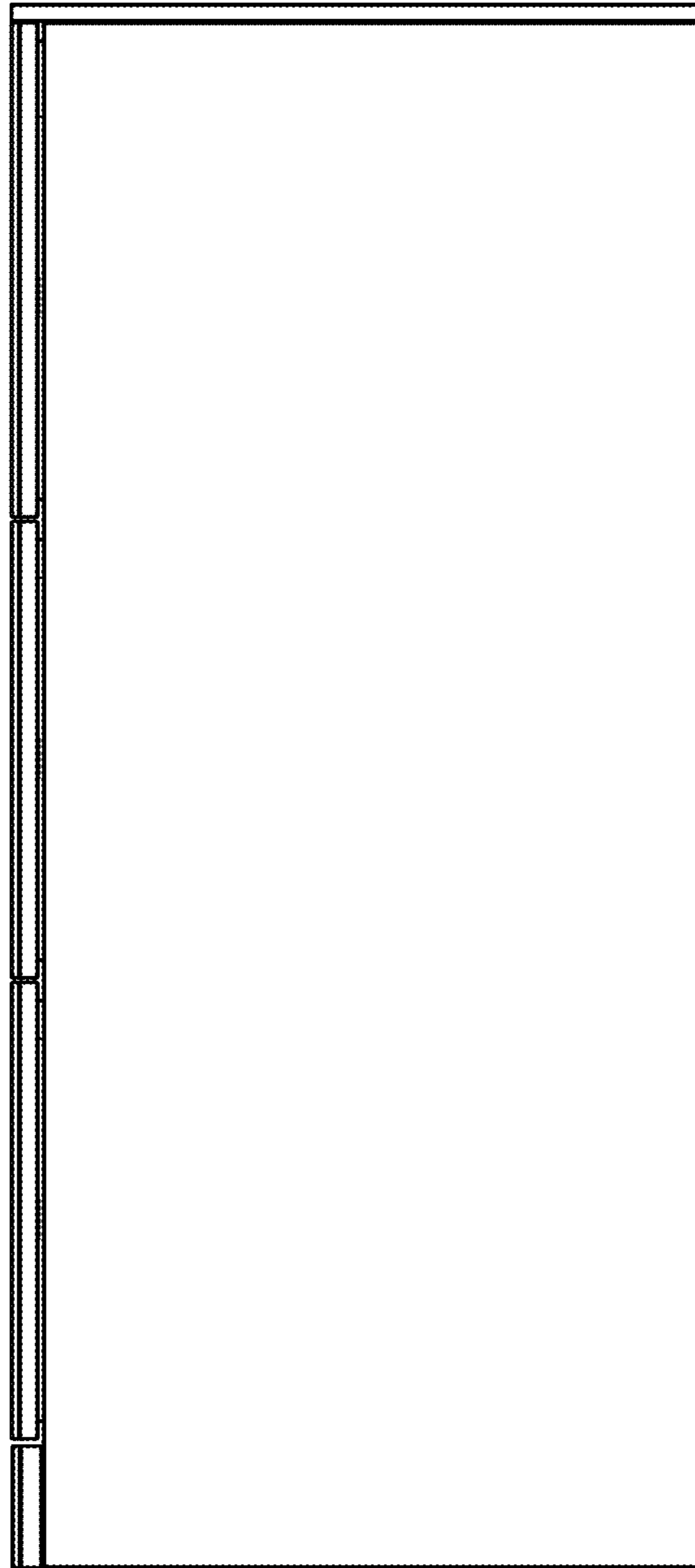


FIG. 6

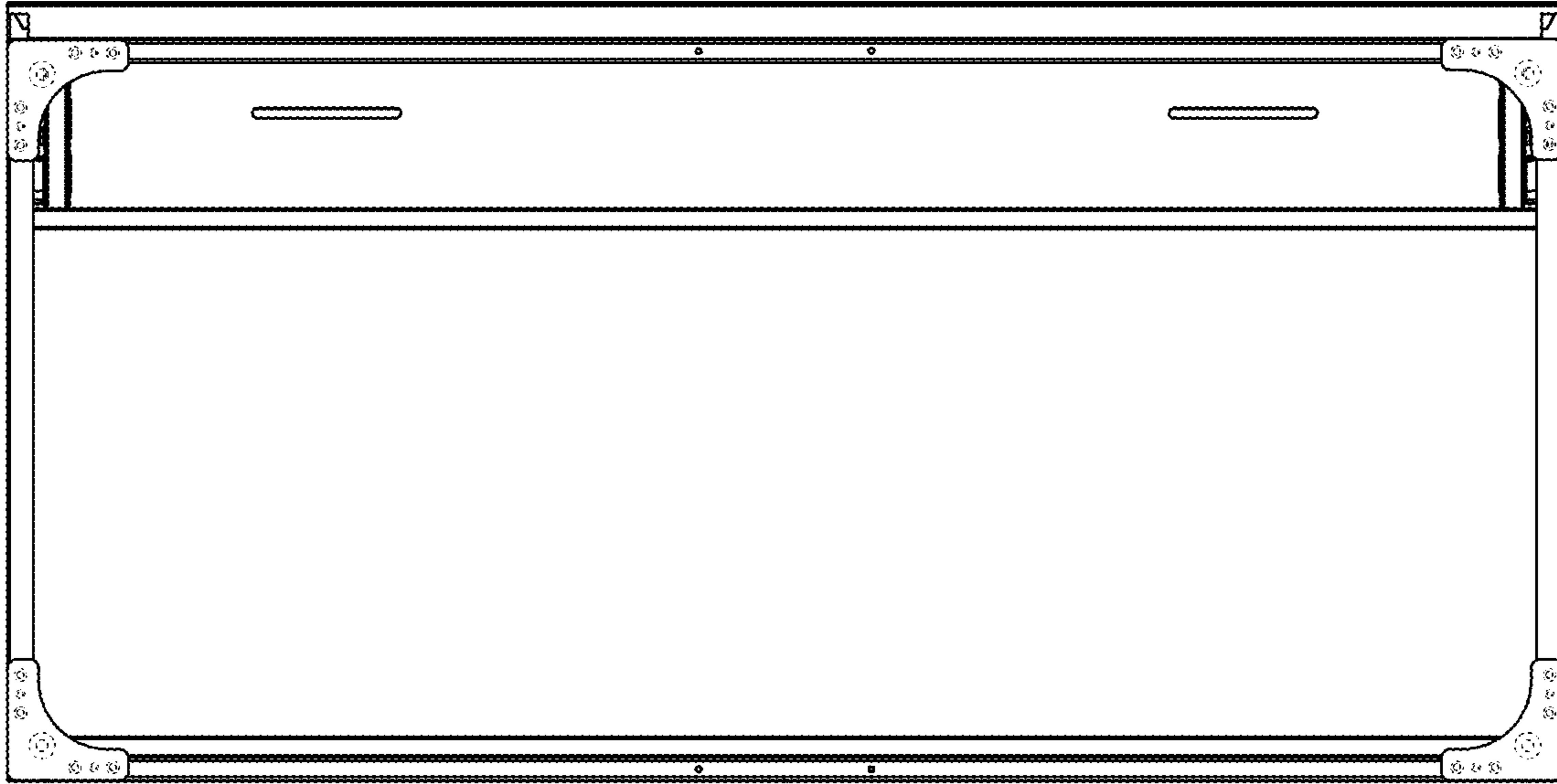


FIG. 7



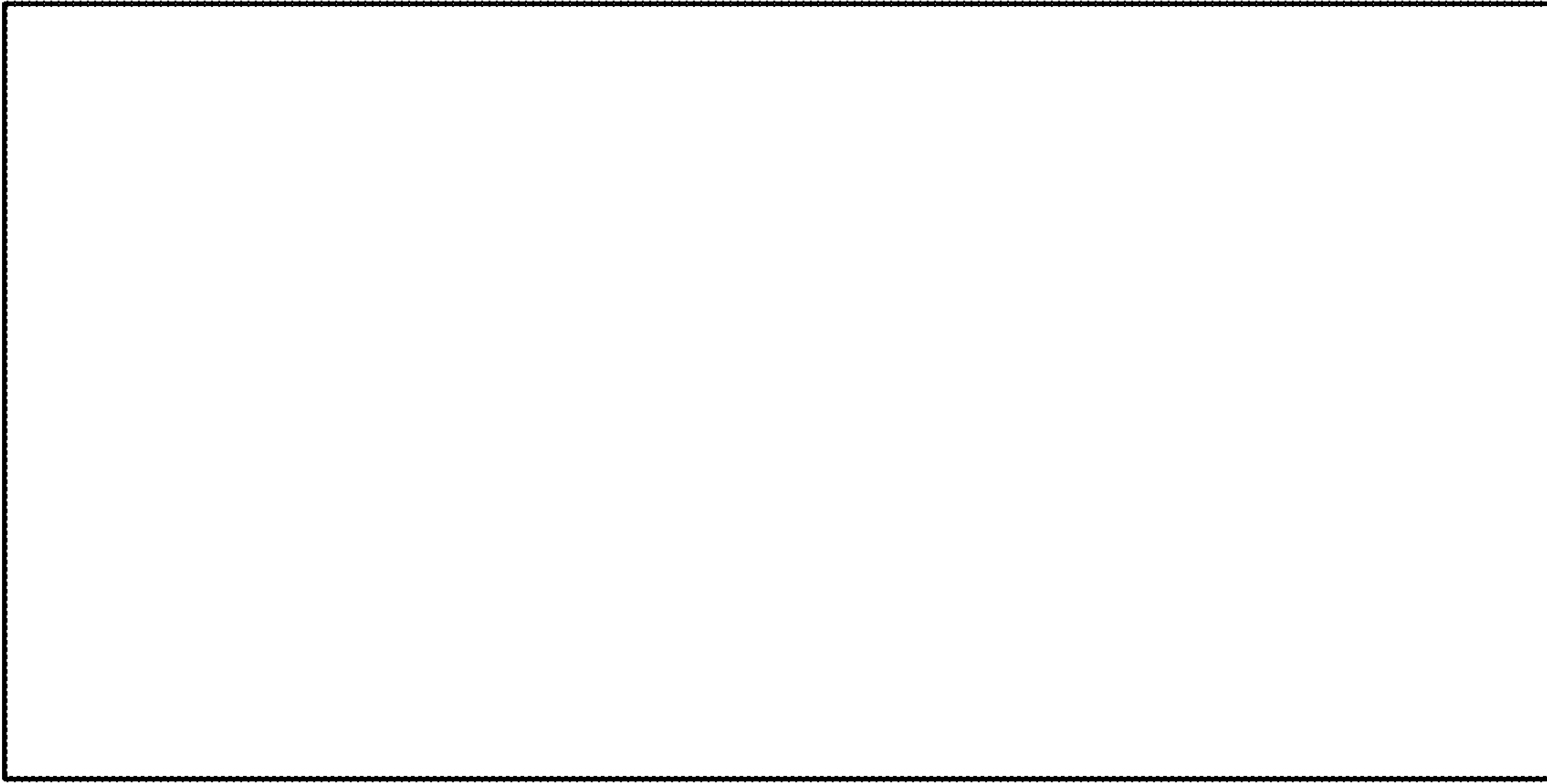


FIG. 8