



US00D896005S

(12) **United States Design Patent**
Martone

(10) **Patent No.:** **US D896,005 S**

(45) **Date of Patent:** **** Sep. 15, 2020**

(54) **PILLOW**

(71) Applicant: **Peter Dennis Martone**, Wakefield, MA
(US)

(72) Inventor: **Peter Dennis Martone**, Wakefield, MA
(US)

(**) Term: **15 Years**

(21) Appl. No.: **29/684,695**

(22) Filed: **Mar. 22, 2019**

(51) **LOC (12) Cl.** **06-09**

(52) **U.S. Cl.**
USPC **D6/601**

(58) **Field of Classification Search**
USPC D6/582-583, 587-592, 595-609,
D6/617-622; D21/803-809; D24/183
CPC A47G 9/00; A47G 2009/001; A47G
2009/002; A47G 2009/003; A47G 9/10;
A47G 9/1009; A47G 2009/1018; A47G
9/1045; A47G 9/1081; A47G 9/109
See application file for complete search history.

(56) **References Cited**

U.S. PATENT DOCUMENTS

247,892	A	*	10/1881	Doremus	A47G 9/10	5/640
D203,251	S	*	12/1965	Berber	D6/601	
D343,756	S	*	2/1994	Sher	5/655	
5,581,832	A	*	12/1996	Bridley	A47D 15/008	5/655
5,630,239	A	*	5/1997	Franzen, Jr.	A47C 7/383	128/845
D432,807	S	*	10/2000	Gollinucci	D6/334	
D479,083	S	*	9/2003	Oates	D6/601	
D486,029	S	*	2/2004	Morikawa	D6/601	
D534,026	S	*	12/2006	Henderson	D6/601	
D572,959	S	*	7/2008	Baumgartner	D6/601	

D595,980	S	*	7/2009	Walters	D6/601	
2006/0279122	A1	*	12/2006	Huffman	A47C 7/383	297/397
2014/0000034	A1	*	1/2014	Alexander	A47G 9/1081	5/636

* cited by examiner

Primary Examiner — Jennifer L Rempfer
(74) *Attorney, Agent, or Firm* — Nelson Mullins Riley & Scarborough LLP; Anthony A. Laurentano

(57) **CLAIM**

The ornamental design for a pillow, as shown and described.

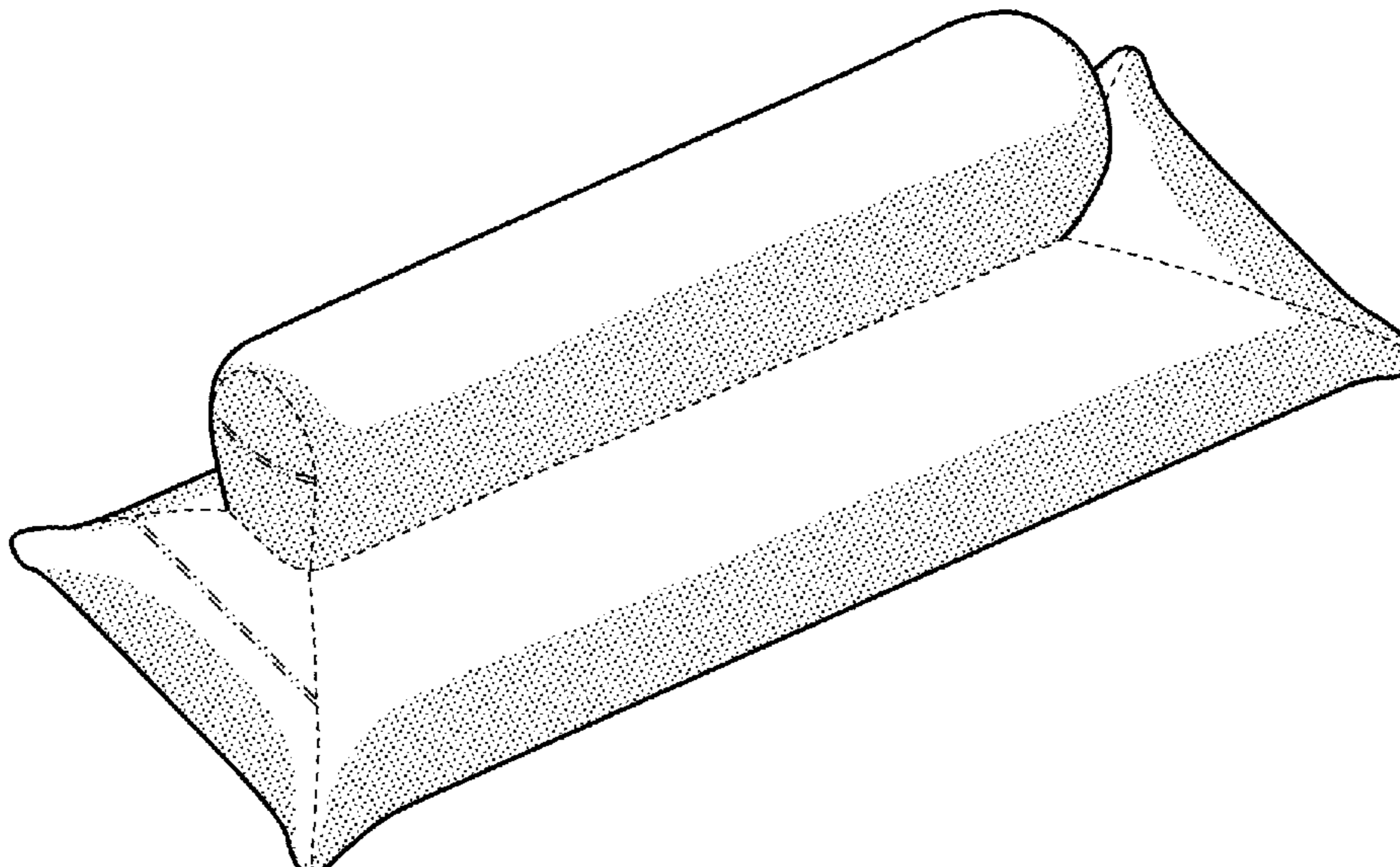
DESCRIPTION

FIG. 1 is a perspective view from a left front side of a first embodiment of the pillow showing our new design; FIG. 2 is a perspective view from a right front side of the new design; FIG. 3 is a front side view of the new design; FIG. 4 is a rear side view of the new design; FIG. 5 is a left side view of the new design; FIG. 6 is a right side view of the new design; FIG. 7 is a top plan view of the new design; FIG. 8 is a bottom plan view of the new design; FIG. 9 is a perspective view from a left front side of a second embodiment of the pillow showing our new design; FIG. 10 is a perspective view from a right front side of the new design; FIG. 11 is a front side view of the new design; FIG. 12 is a rear side view of the new design; FIG. 13 is a left side view of the new design; FIG. 14 is a right side view of the new design; FIG. 15 is a top plan view of the new design; and, FIG. 16 is a bottom plan view of the new design.

The pillow details shown in dashed lines are for illustrative purposes only and form no part of the claimed ornamental design.

The dashed lines are also for purposes of showing environmental structure only and form no part of the claimed ornamental design.

1 Claim, 6 Drawing Sheets



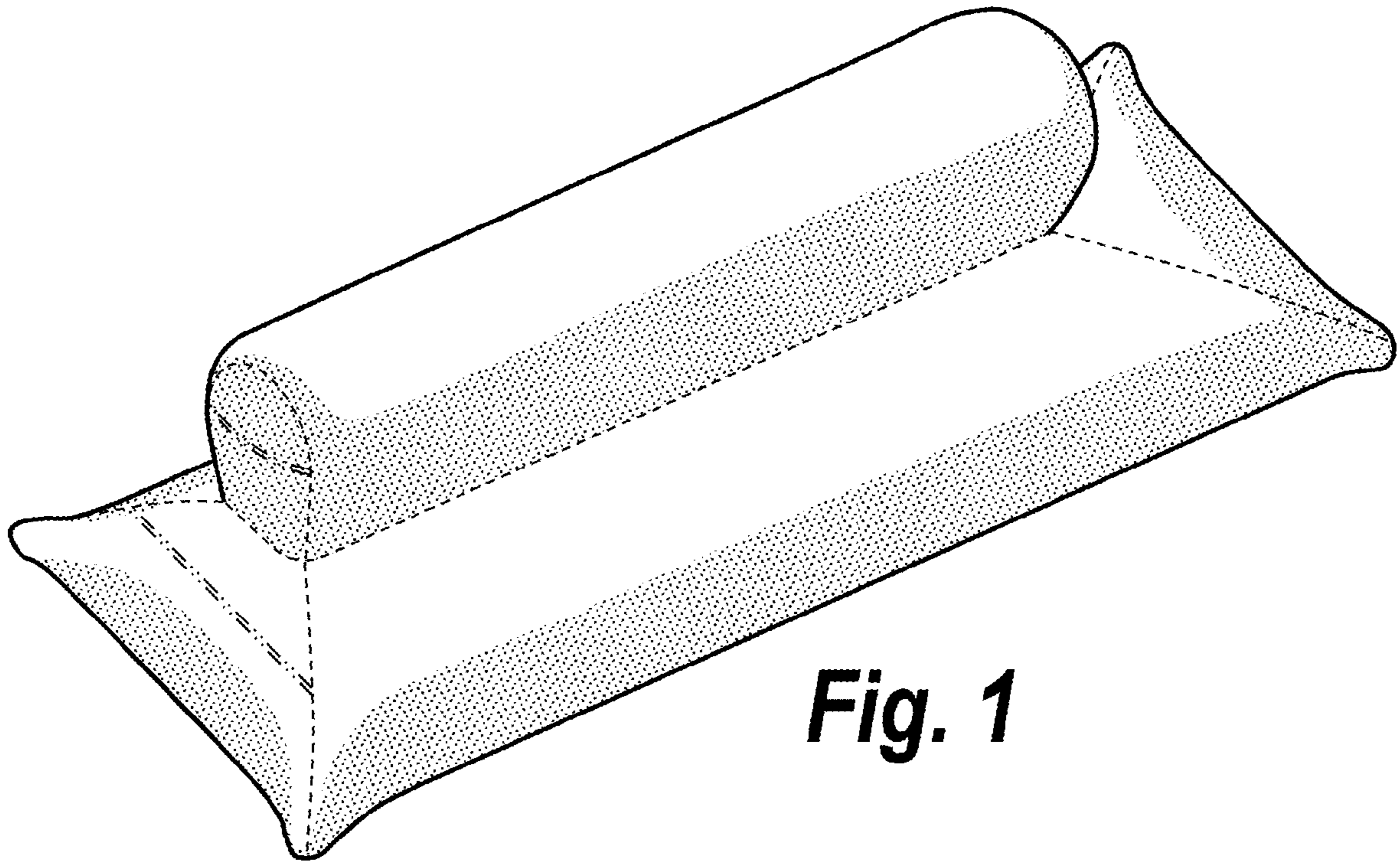


Fig. 1

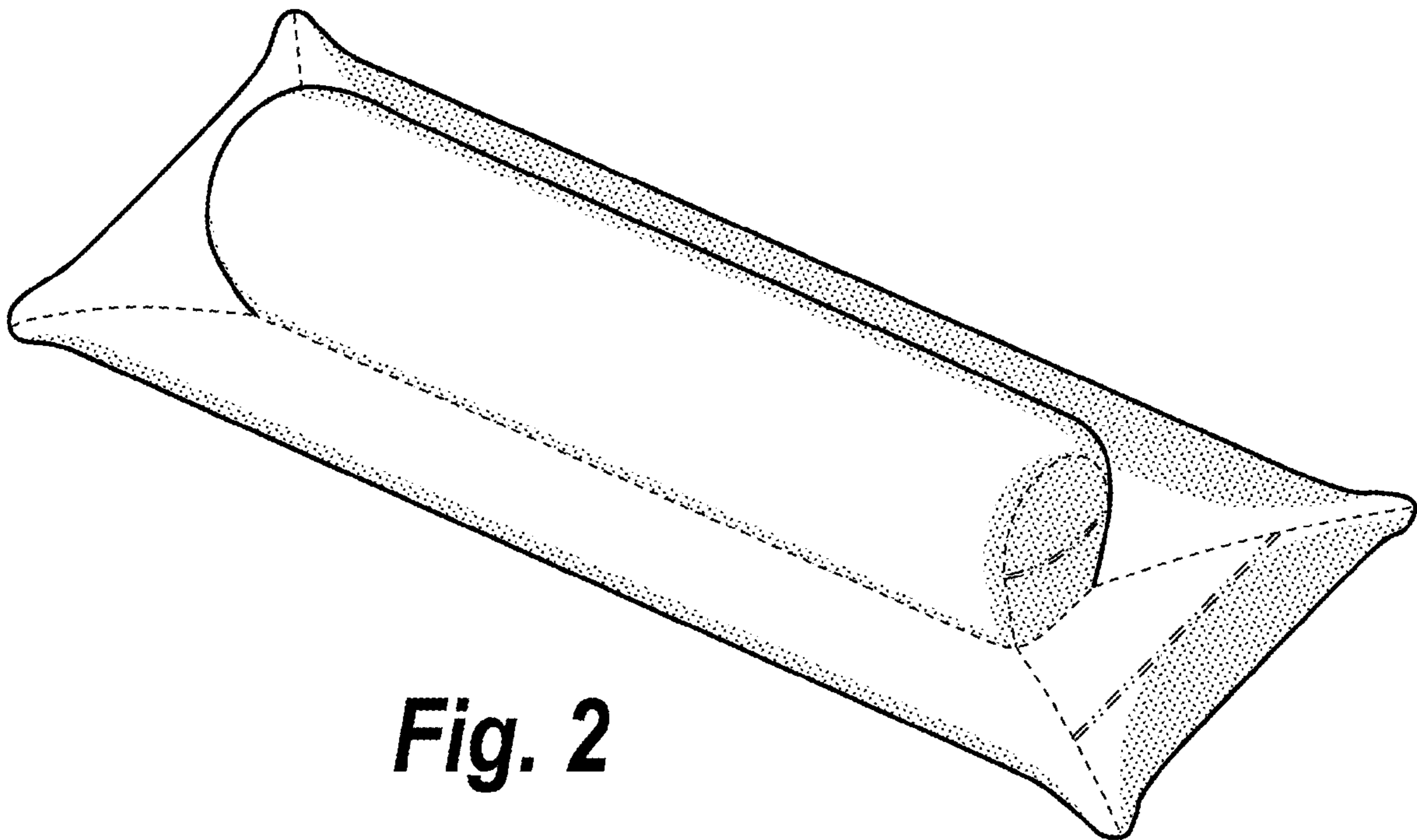


Fig. 2

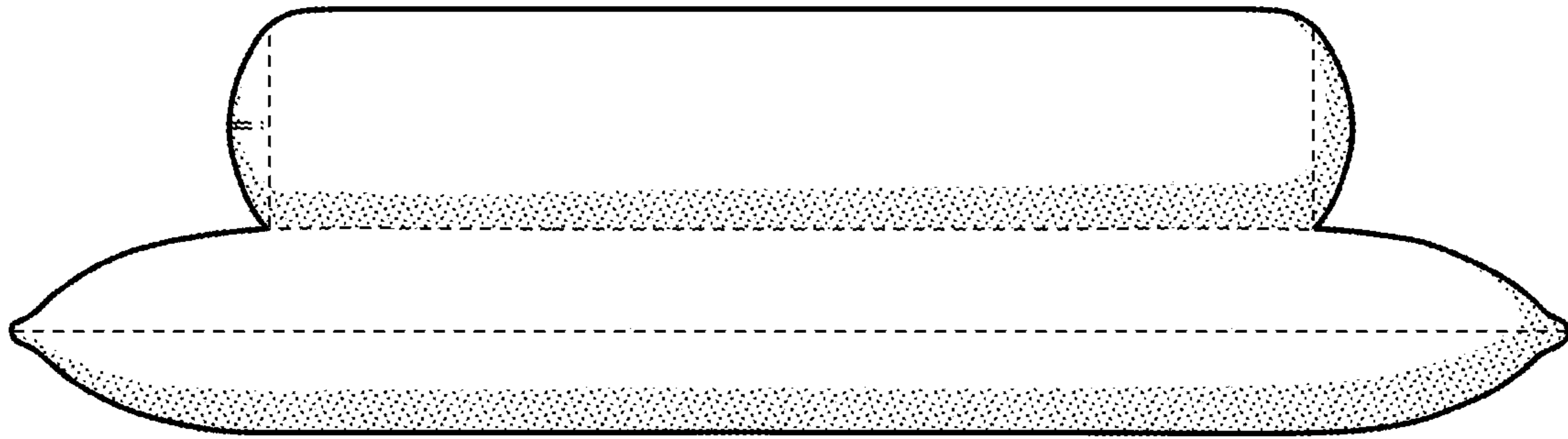


Fig. 3

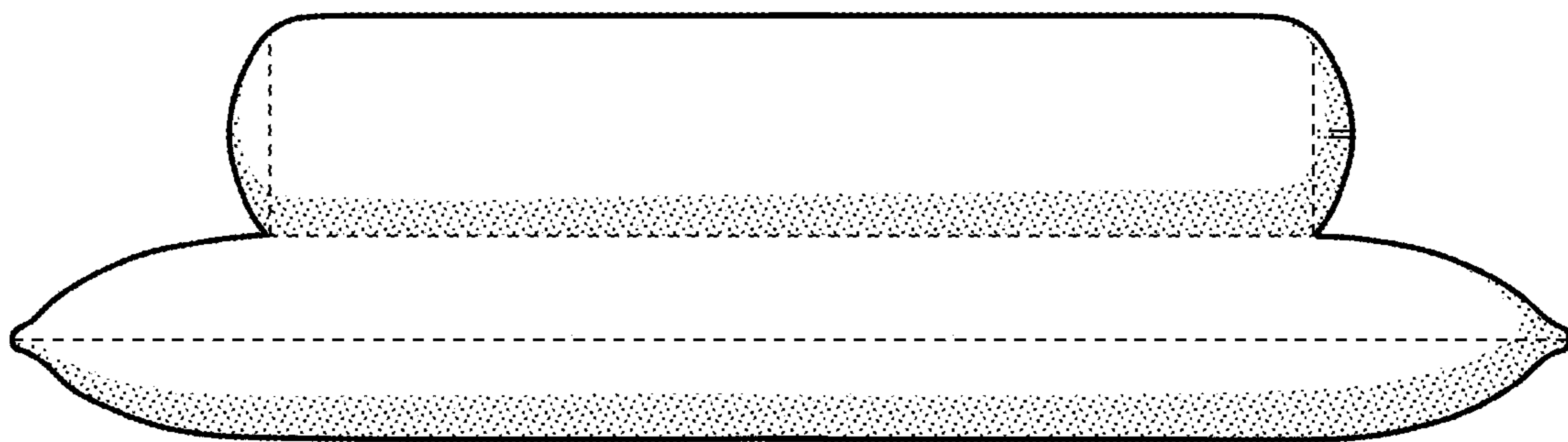


Fig. 4

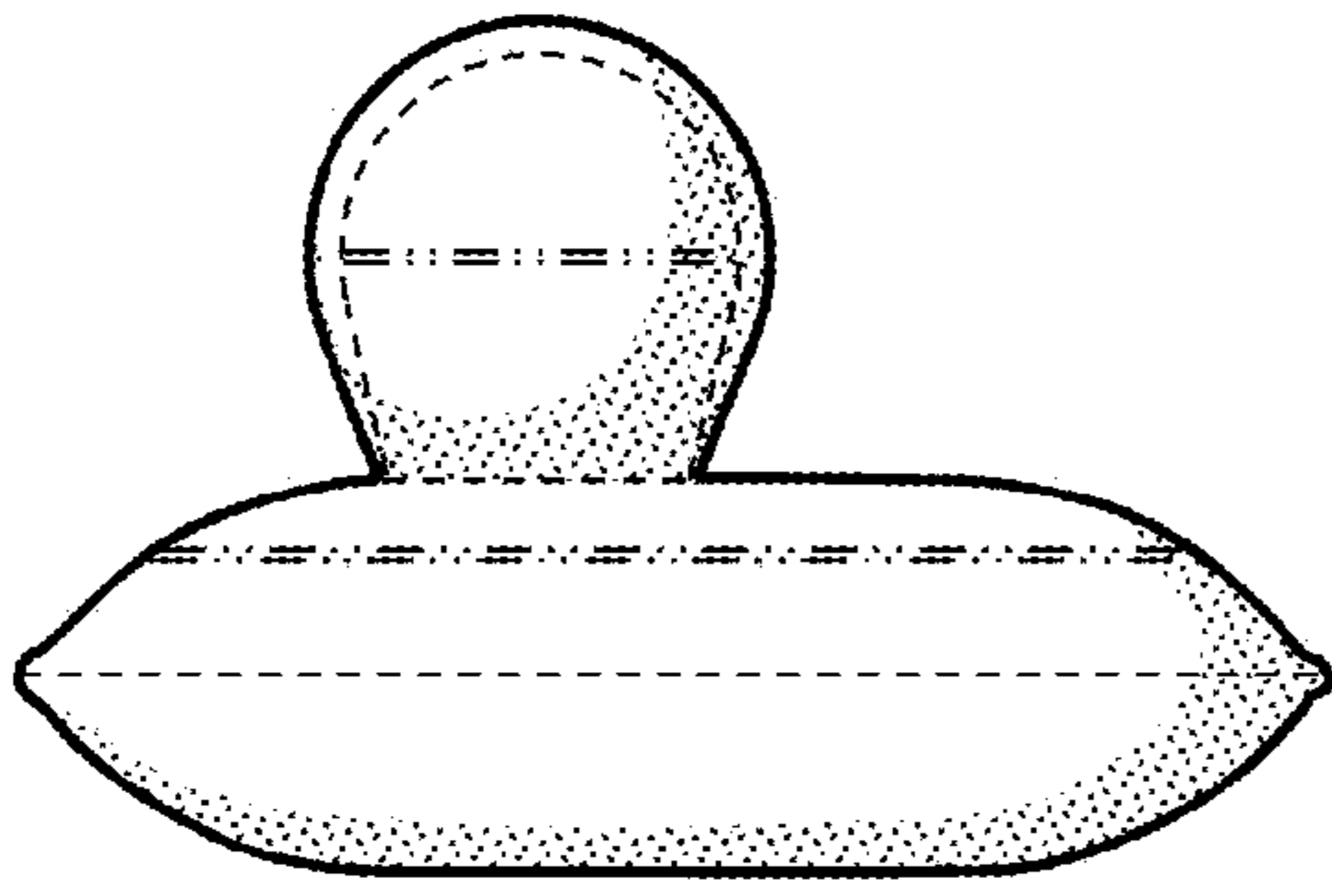


Fig. 5

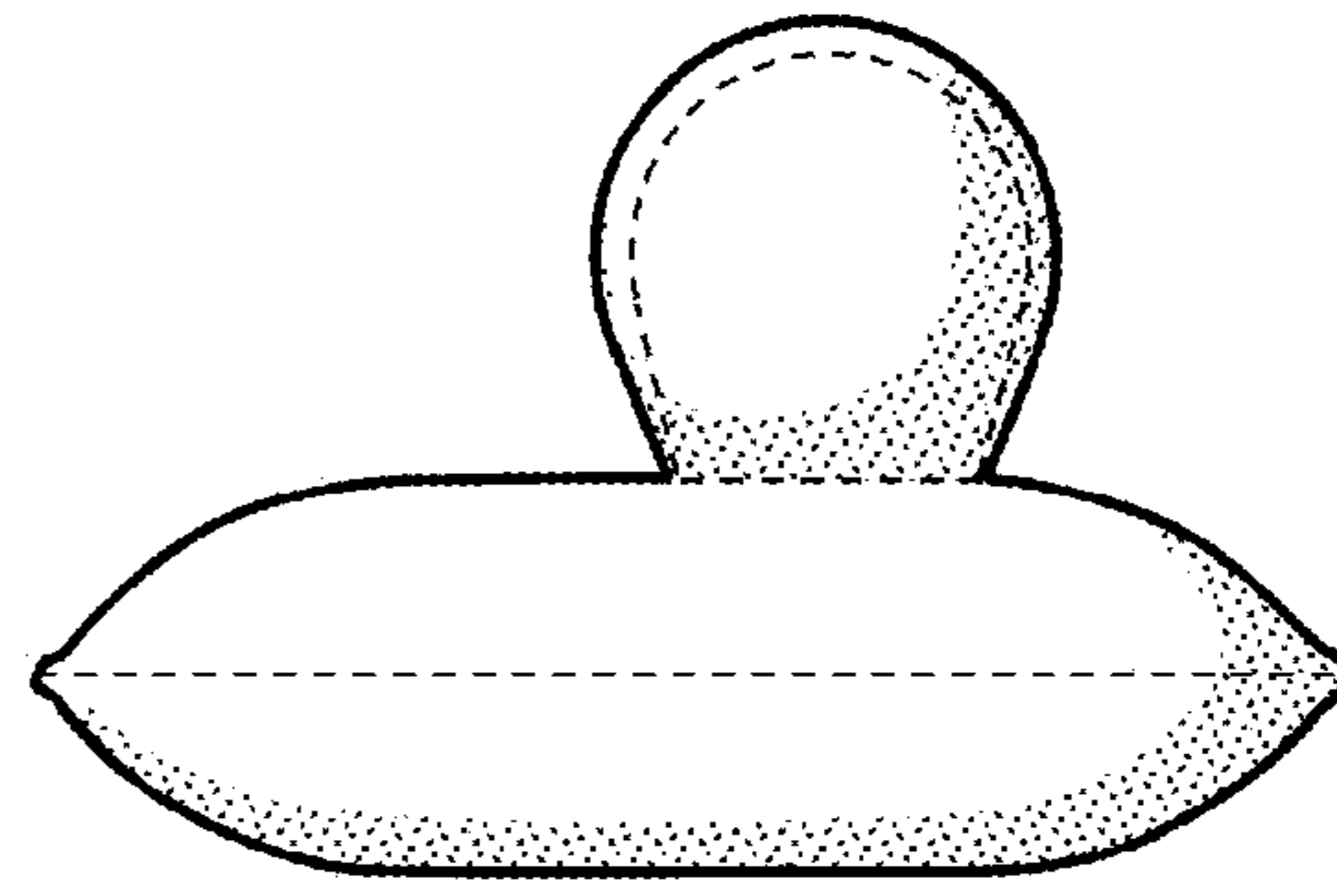


Fig. 6

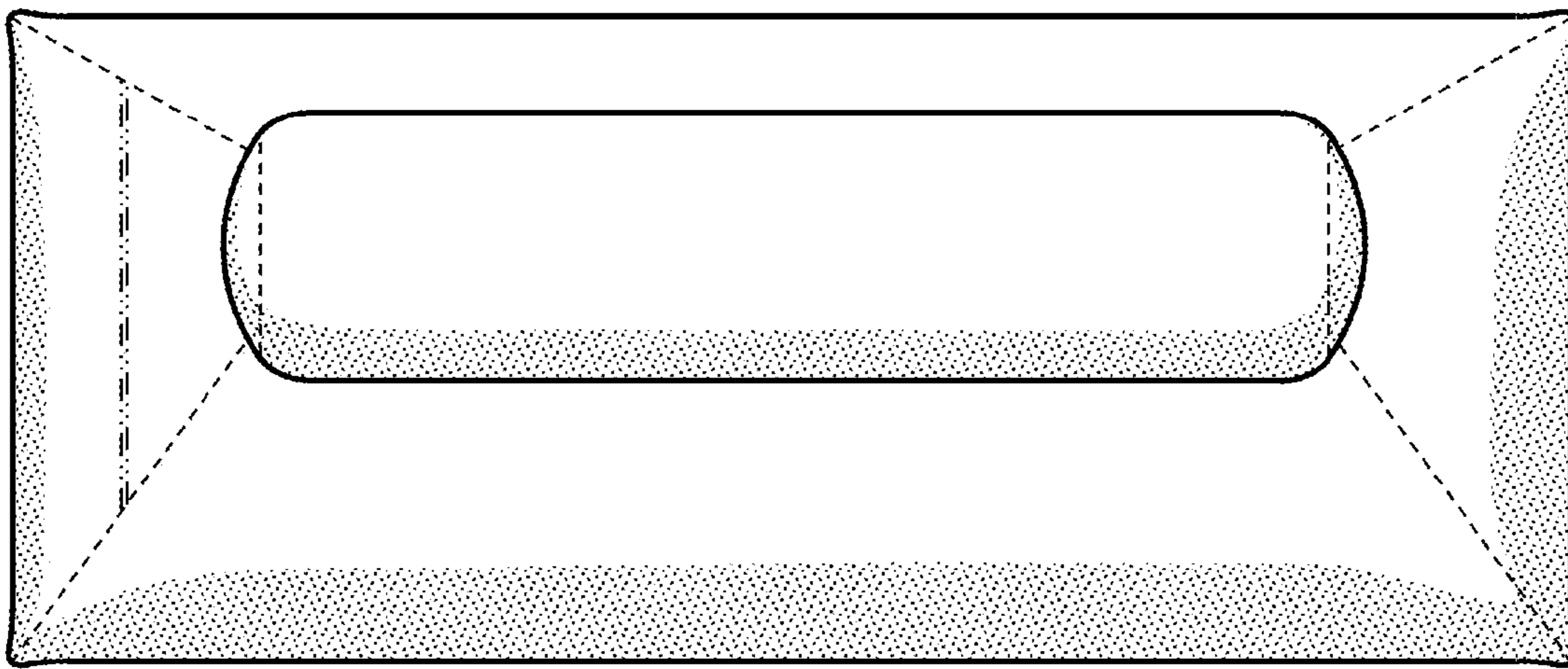


Fig. 7

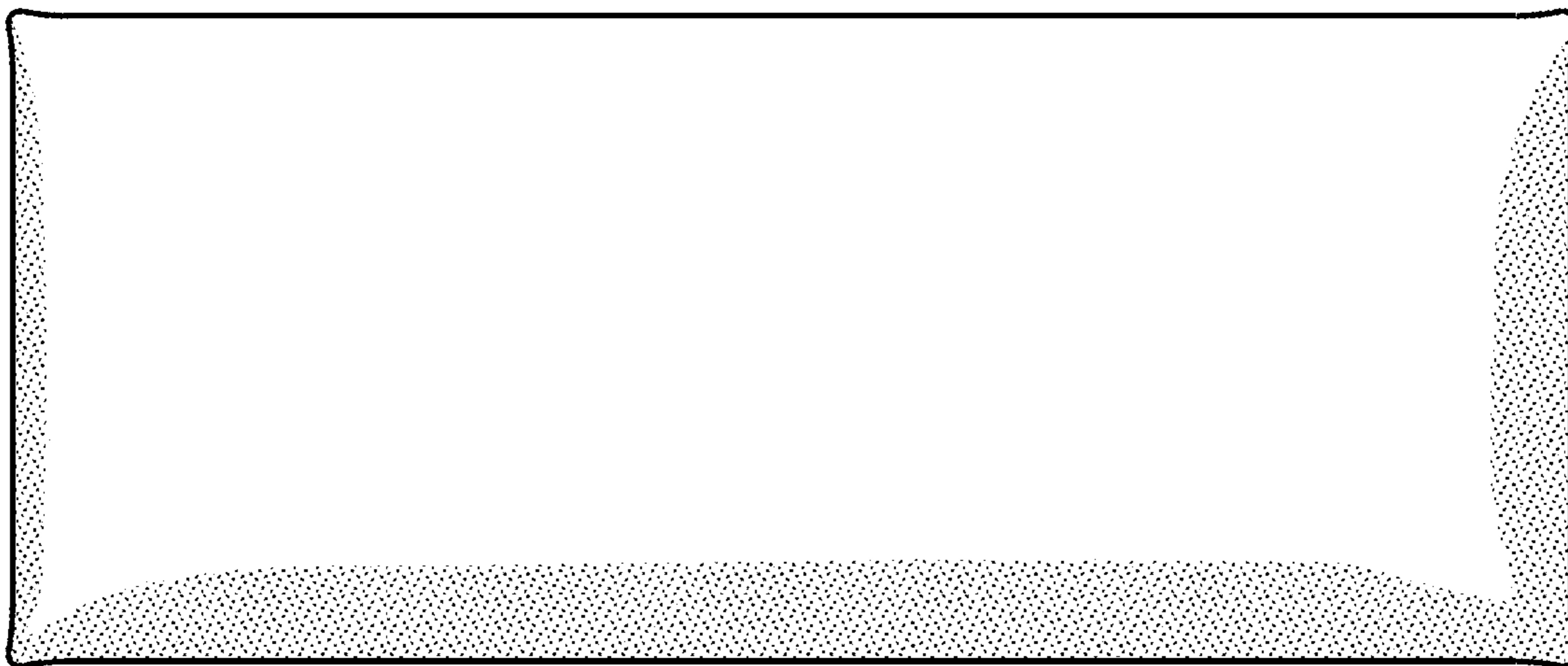


Fig. 8

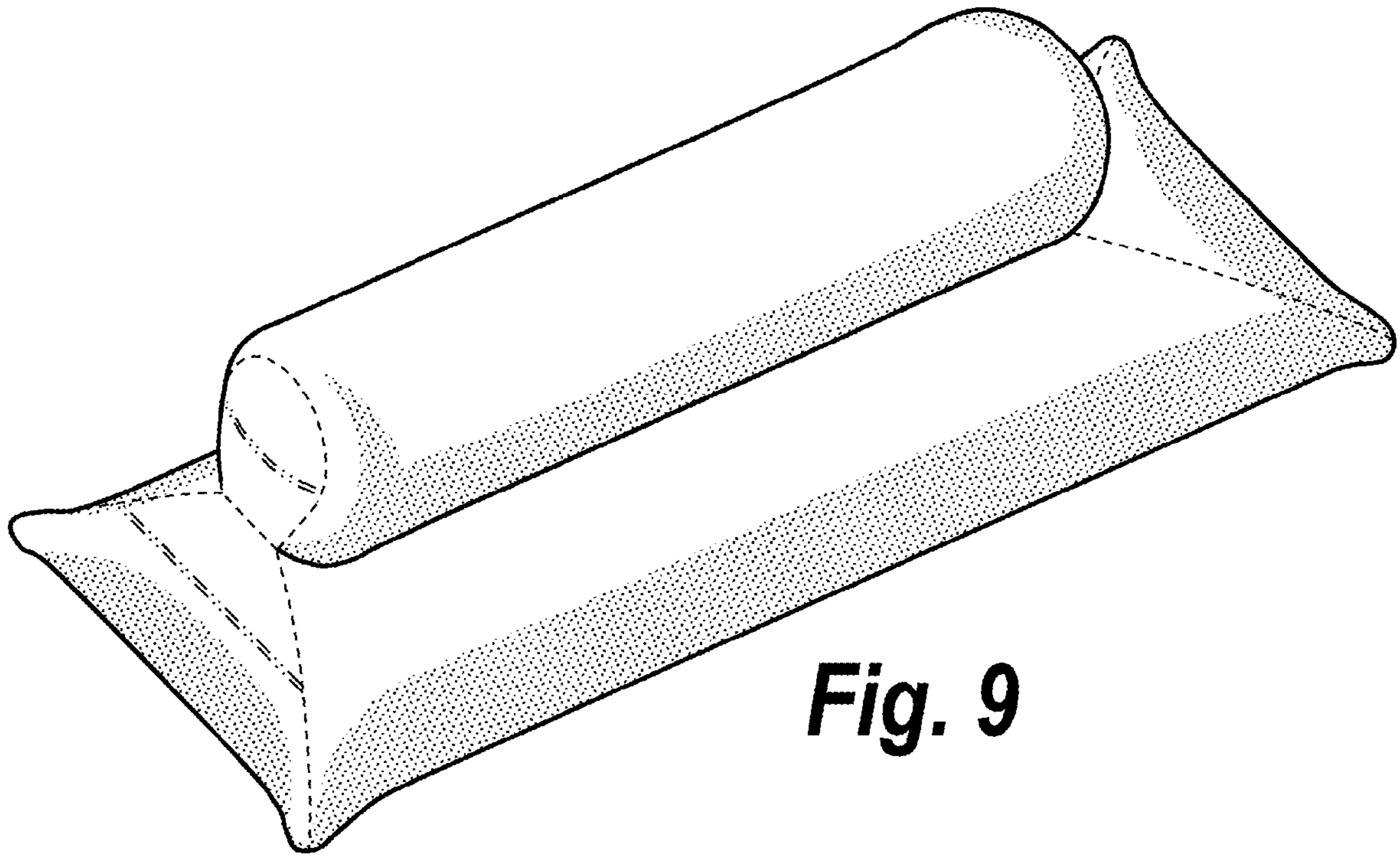


Fig. 9

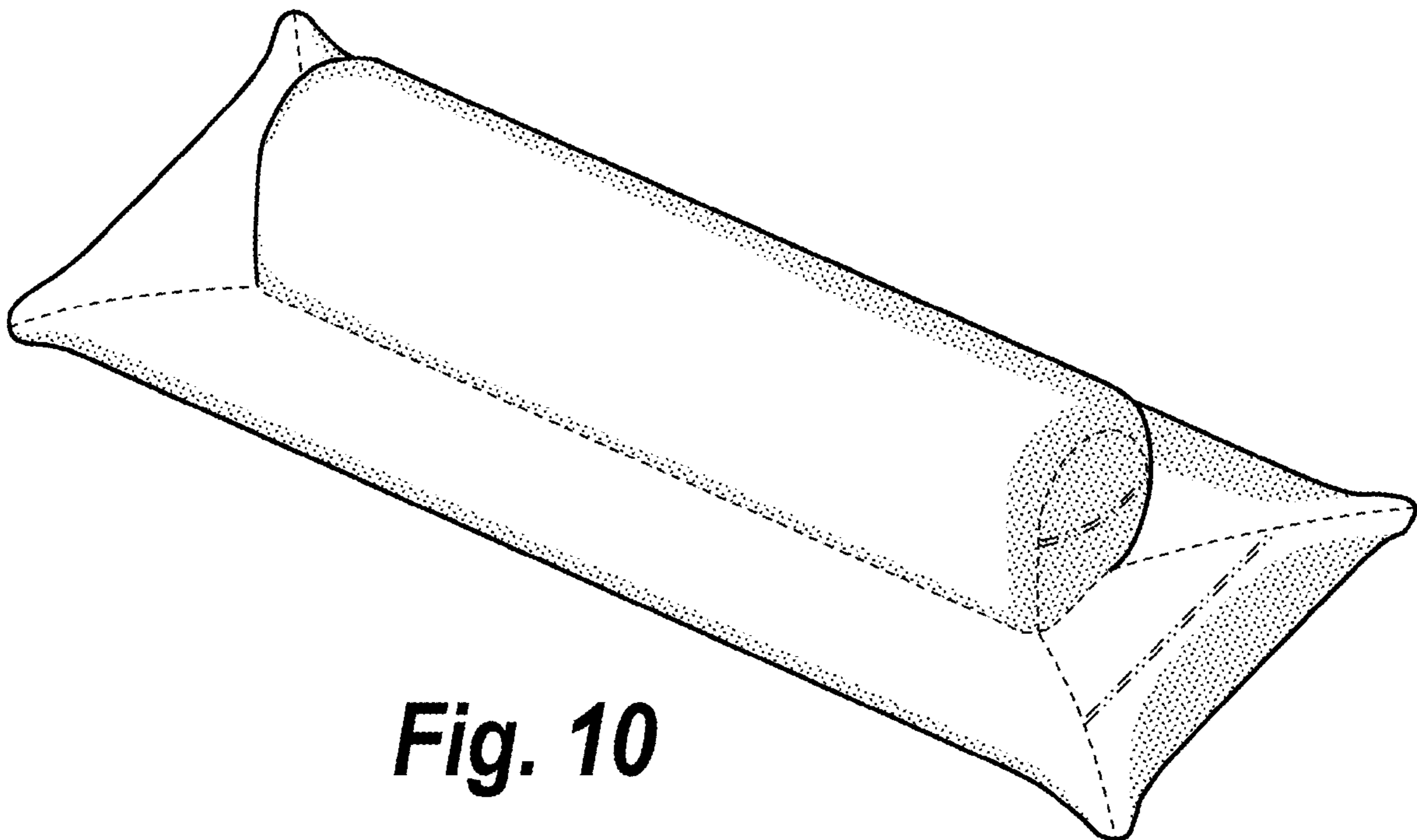


Fig. 10

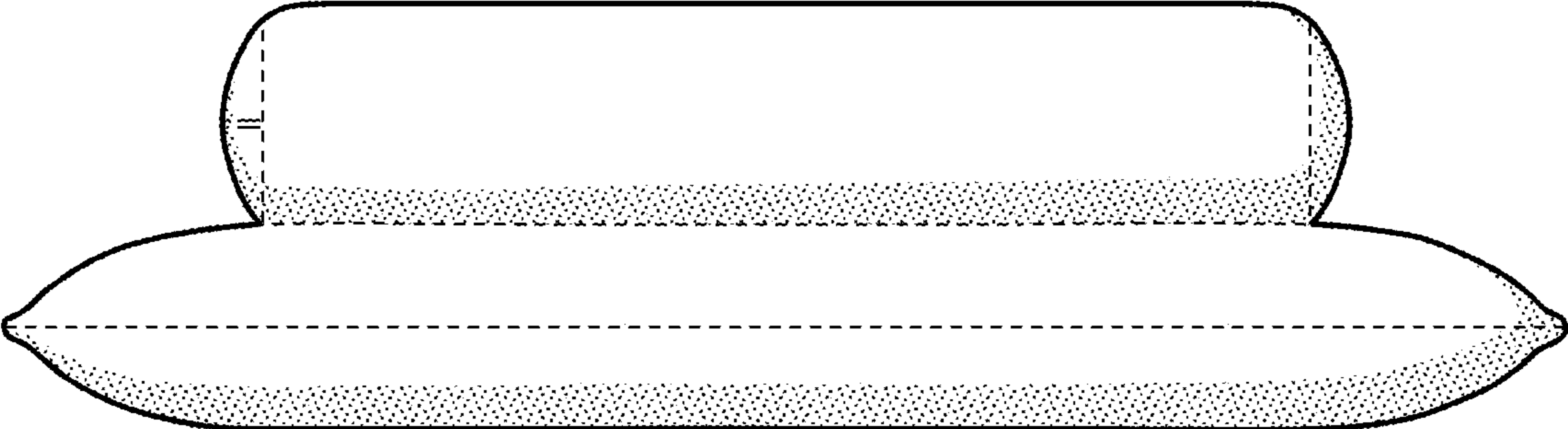


Fig. 11

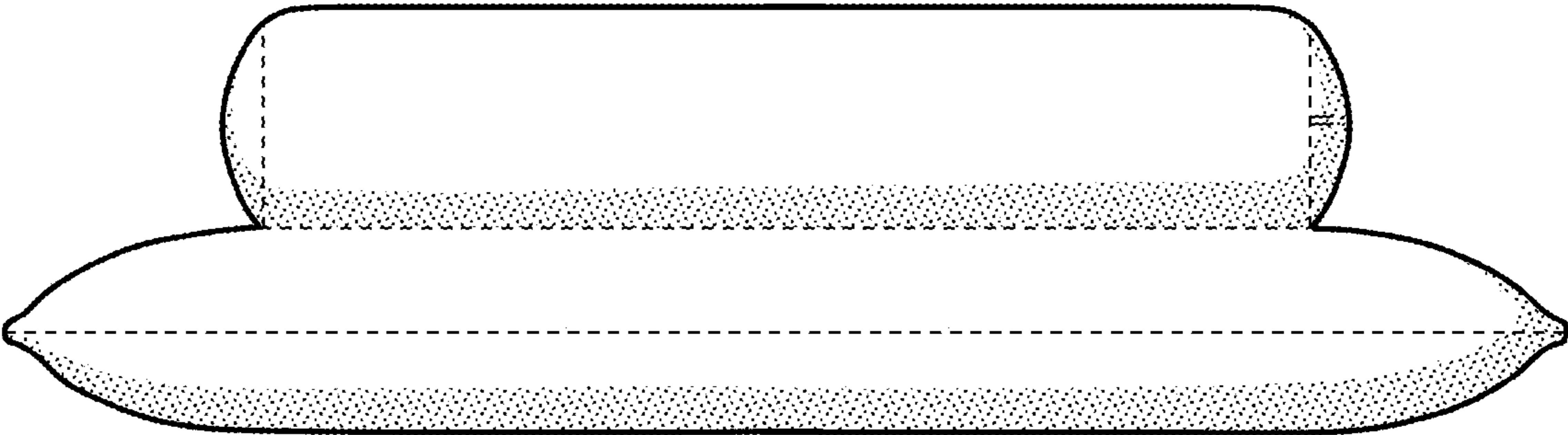


Fig. 12

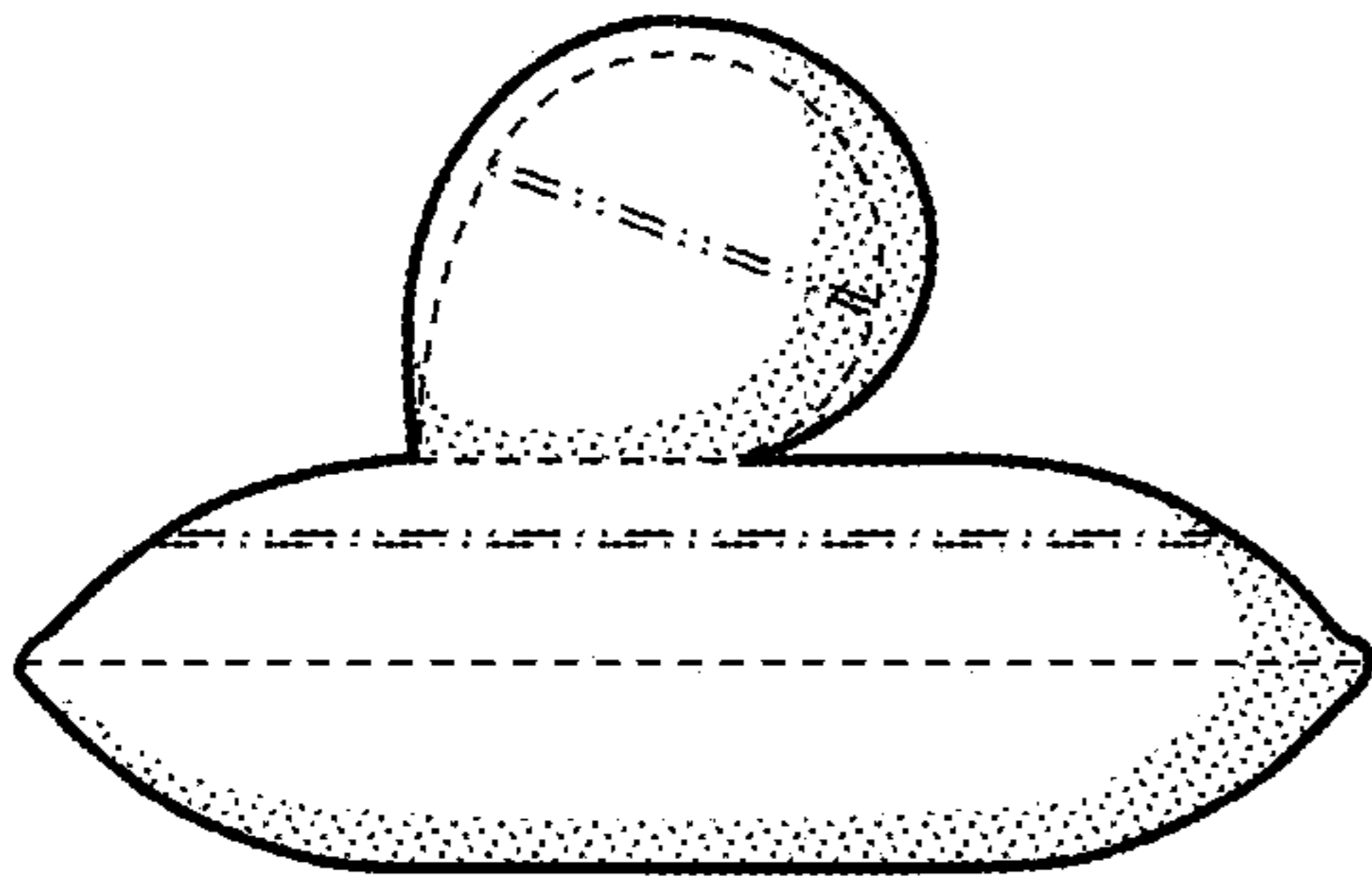


Fig. 13

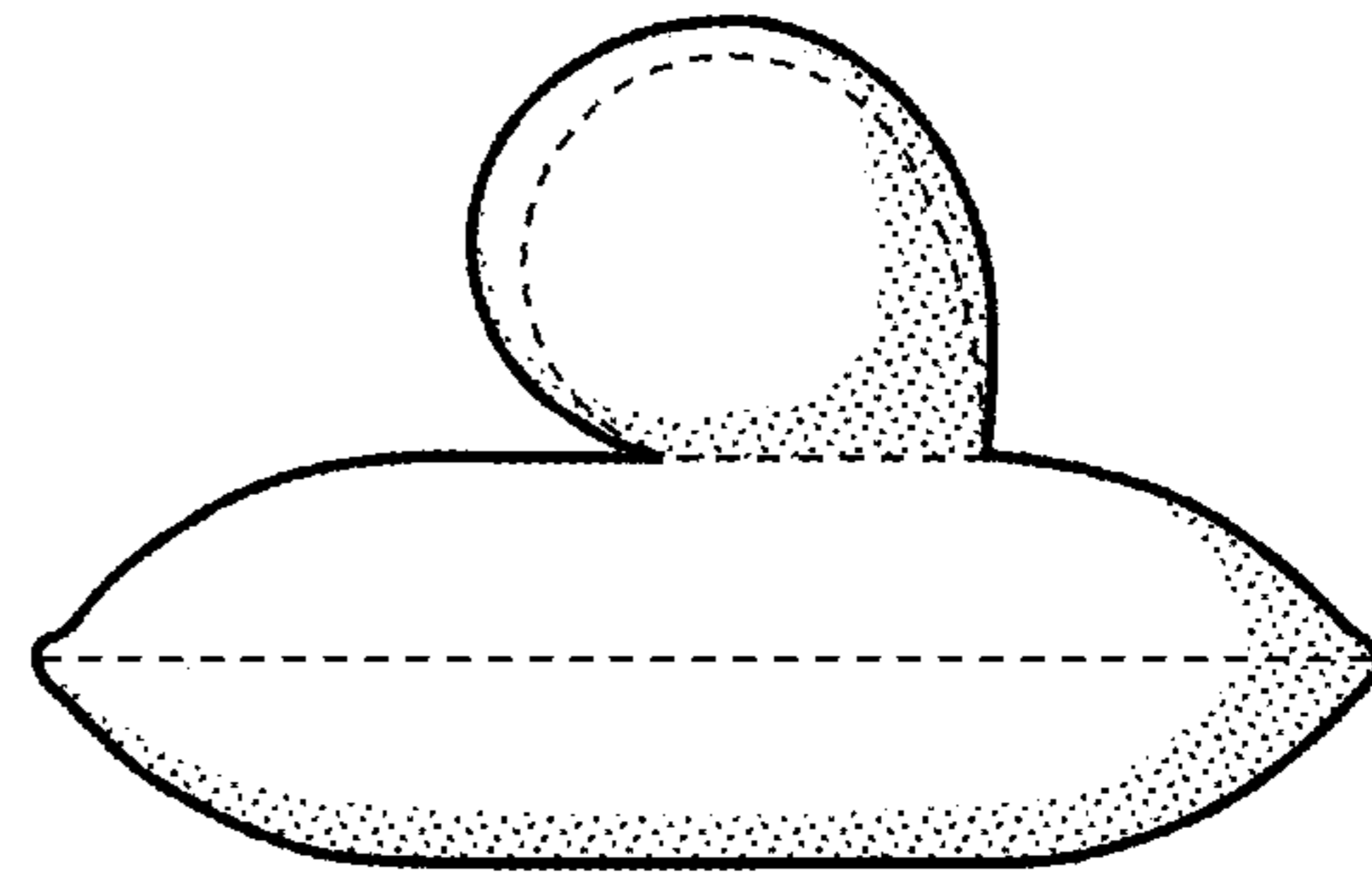


Fig. 14

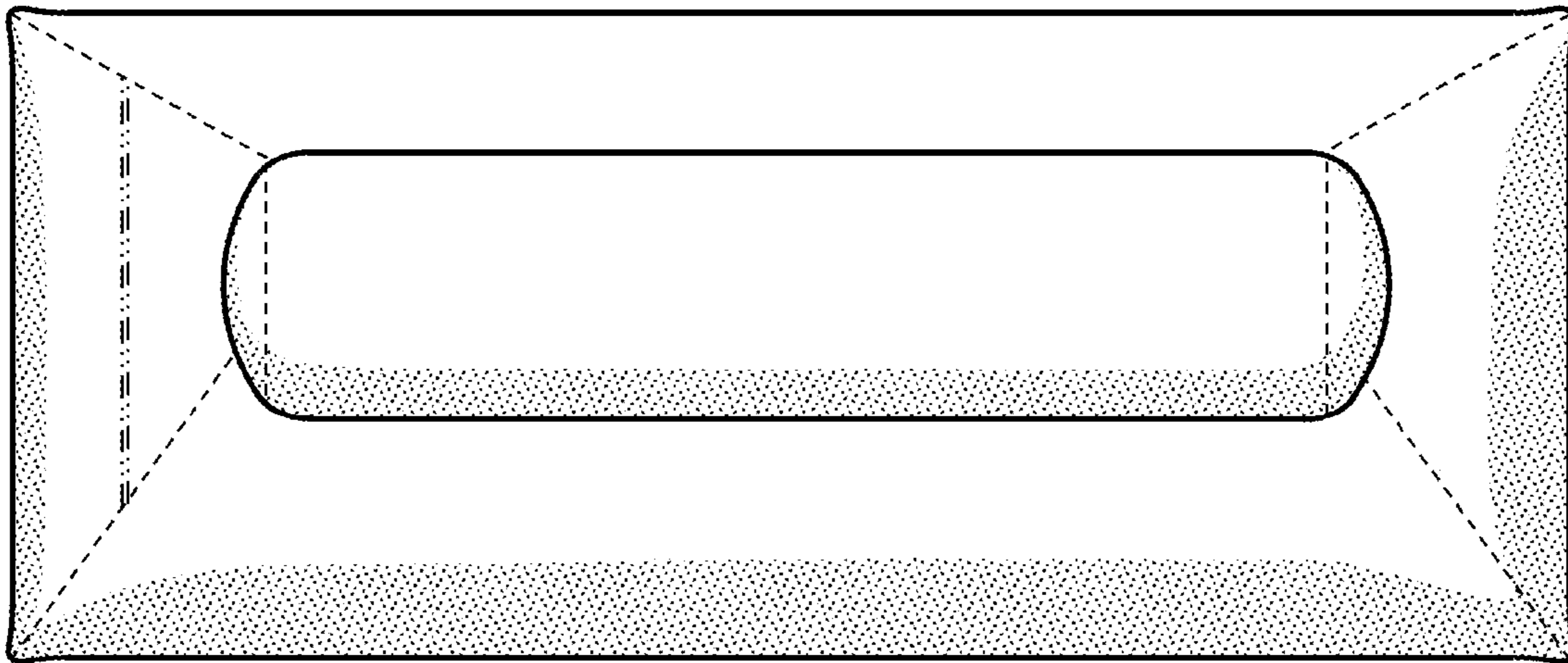


Fig. 15

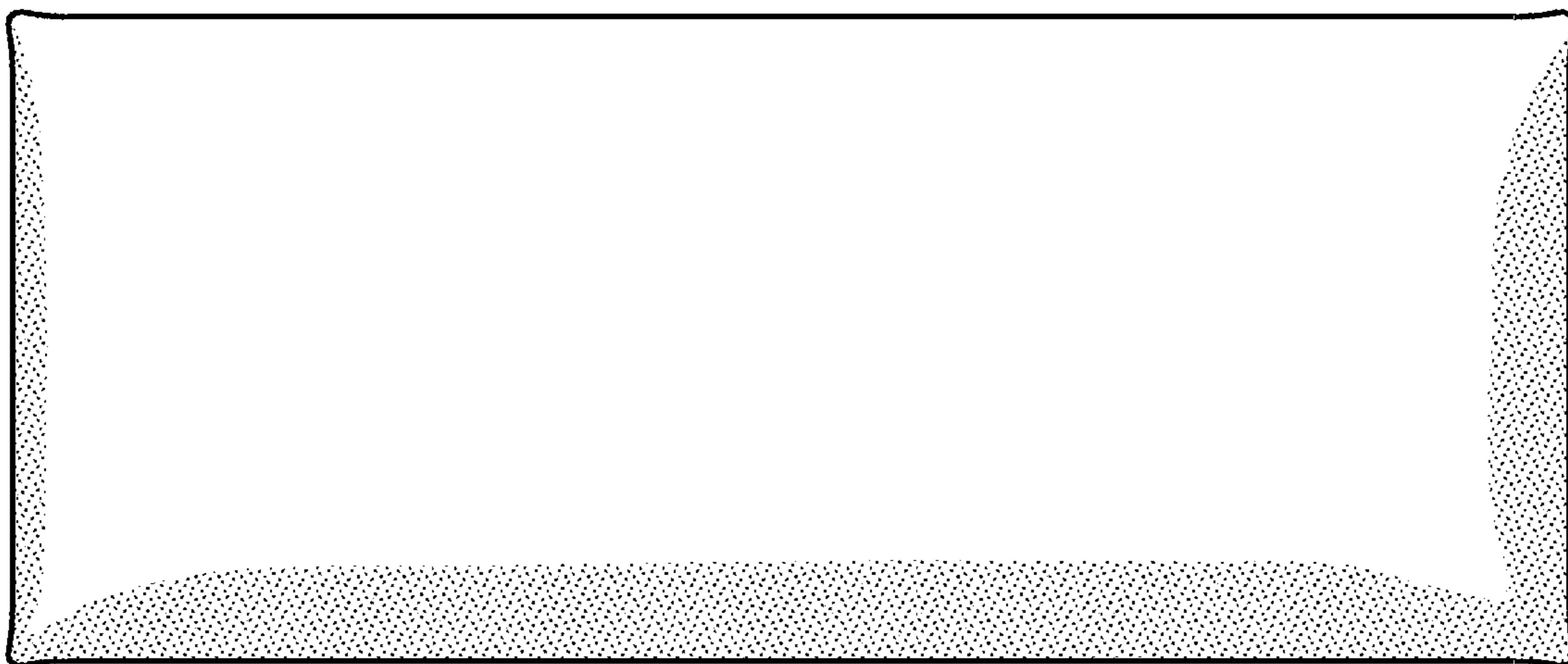


Fig. 16