



US00D896002S

(12) **United States Design Patent**  
**Thomas et al.**

(10) **Patent No.:** **US D896,002 S**

(45) **Date of Patent:** **\*\* Sep. 15, 2020**

- (54) **PILLOW**
- (71) Applicants: **Cathy Thomas**, Pembroke Pines, FL (US); **Brigette Thomas**, Pembroke Pines, FL (US)
- (72) Inventors: **Cathy Thomas**, Pembroke Pines, FL (US); **Brigette Thomas**, Pembroke Pines, FL (US)
- (\*\*) Term: **15 Years**
- (21) Appl. No.: **29/647,997**
- (22) Filed: **May 17, 2018**
- (51) **LOC (12) Cl.** ..... **06-09**
- (52) **U.S. Cl.**  
USPC ..... **D6/601**
- (58) **Field of Classification Search**  
USPC ..... D6/595, 596, 601, 604; 5/653, 485, 490, 5/636, 639, 486  
CPC ..... A47G 2009/1018; A47G 9/10; A47G 9/0253; A61G 5/1043; A61G 5/1045; A47C 21/026; A47C 27/001  
See application file for complete search history.

- 5,345,627 A \* 9/1994 Cammarata ..... A47G 9/02 5/417
  - 5,481,768 A 1/1996 Shink
  - 5,572,753 A 11/1996 Ruscitto
  - 5,605,374 A \* 2/1997 Perry ..... A47C 7/546 297/227
  - 5,785,388 A \* 7/1998 Curtis ..... A47C 7/383 297/482
  - 5,991,945 A \* 11/1999 Pang ..... A47G 9/0253 5/490
  - 6,363,557 B2 4/2002 Chou
  - D614,430 S \* 4/2010 Watanabe ..... D6/601
- (Continued)

(56) **References Cited**

**U.S. PATENT DOCUMENTS**

- 2,510,120 A \* 6/1950 Leander ..... C09J 7/21 428/191
- 2,956,291 A \* 10/1960 Hauptman ..... A47G 9/0253 5/636
- 3,828,377 A \* 8/1974 Fary, Sr. .... A47C 20/026 5/632
- 3,995,846 A \* 12/1976 Frick ..... A61F 15/005 5/646
- 5,068,936 A \* 12/1991 Blitzer ..... A47G 9/00 428/192
- 5,144,911 A \* 9/1992 Moore ..... A01K 1/0353 119/28.5
- 5,297,304 A \* 3/1994 O'Sullivan ..... A47C 7/425 297/284.5

**OTHER PUBLICATIONS**

Discover ideas about Pillow Lounger. Product listing [online]. Pinterest [retrieved on Dec. 6, 2017]. Retrieved from the Internet: <URL: <https://www.pinterest.com/pin/779193173000714408/>>.

*Primary Examiner* — Kimberly Barnes  
(74) *Attorney, Agent, or Firm* — Cramer Patent & Design, PLLC; Aaron R. Cramer

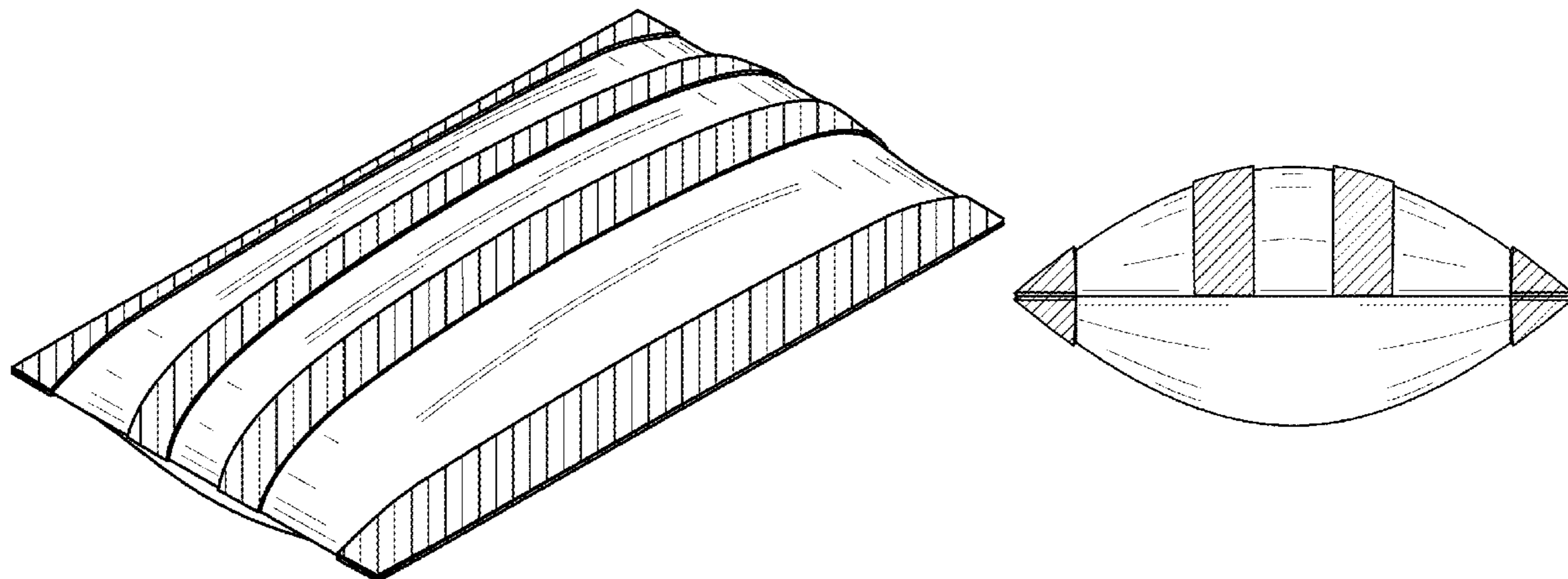
(57) **CLAIM**

The ornamental design for a pillow, as shown and described.

**DESCRIPTION**

FIG. 1 is a perspective top front right view of a pillow, showing our new design; FIG. 2 is a front elevation view, with a rear elevation view being identical thereof; FIG. 3 is a right elevation view, with a left elevation view being identical thereof; FIG. 4 is a top plan view thereof; and, FIG. 5 is a bottom plan view thereof. The alternating thick and thin diagonal line shading is intended to represent a fastening material such as hook and loop fabric.

**1 Claim, 5 Drawing Sheets**



(56)

**References Cited**

U.S. PATENT DOCUMENTS

D625,945 S \* 10/2010 Kratzer ..... D6/601  
D628,423 S \* 12/2010 Kratzer ..... D6/601  
D637,434 S \* 5/2011 Lovinger ..... D6/601  
D720,157 S \* 12/2014 Villena ..... D6/601  
D778,637 S \* 2/2017 Barry ..... D6/601  
D822,409 S \* 7/2018 Kleinman ..... D6/601  
D840,723 S \* 2/2019 Dompierre ..... D6/601  
D845,674 S \* 4/2019 Hariri ..... D6/601  
2008/0155753 A1 7/2008 Cretsinger  
2017/0361747 A1\* 12/2017 Heffran ..... B60N 2/663

\* cited by examiner

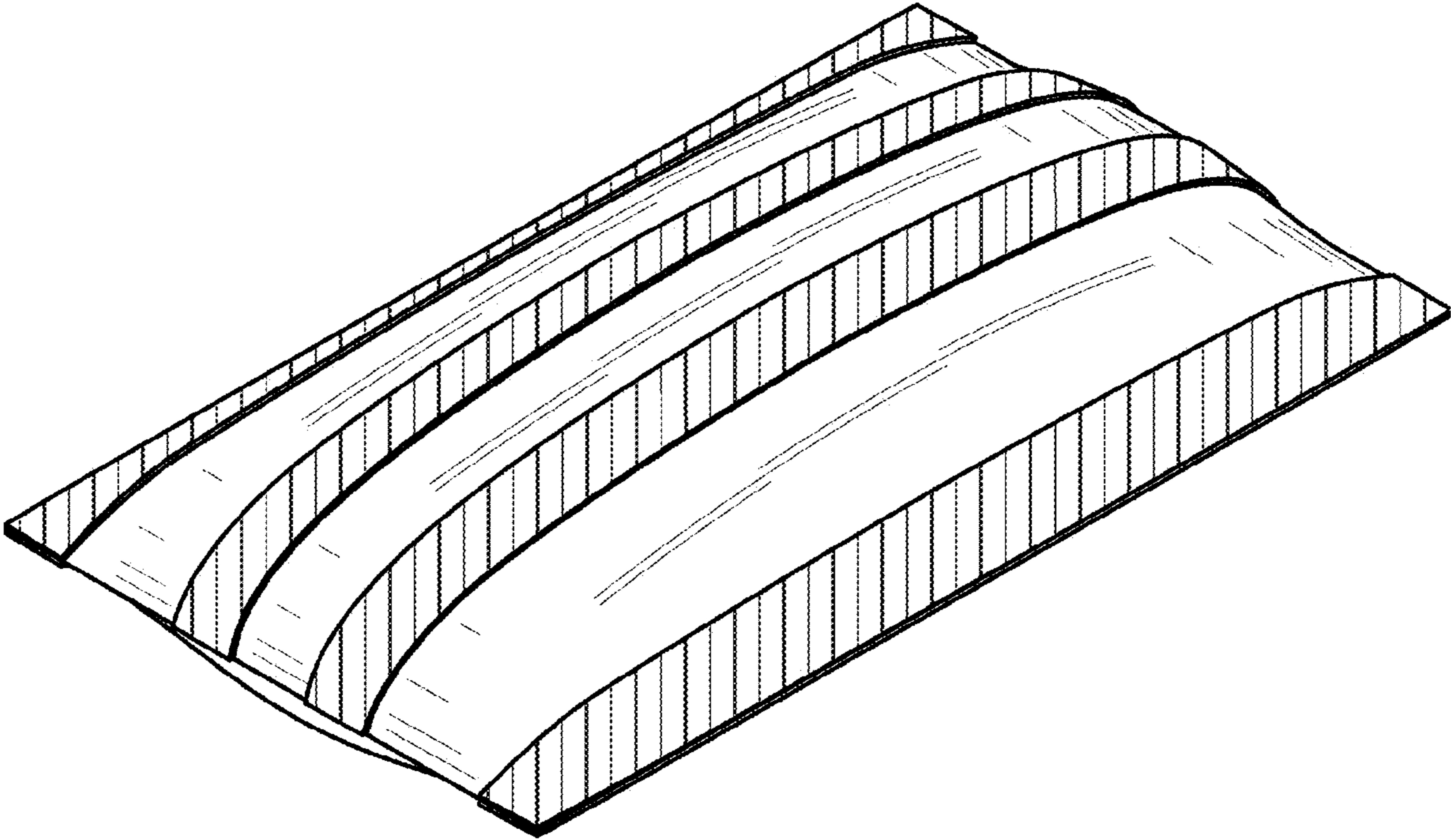


FIG. 1

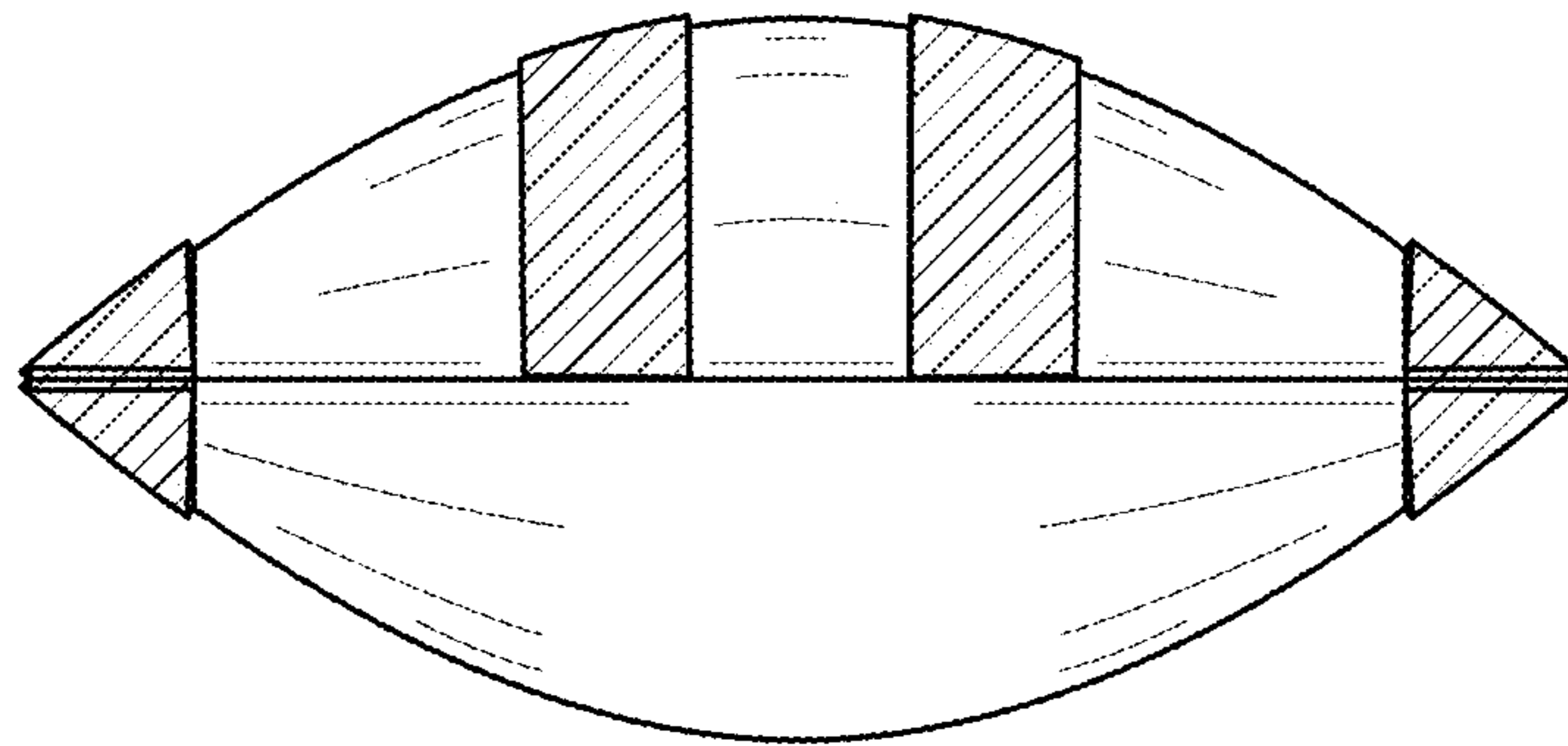


FIG. 2

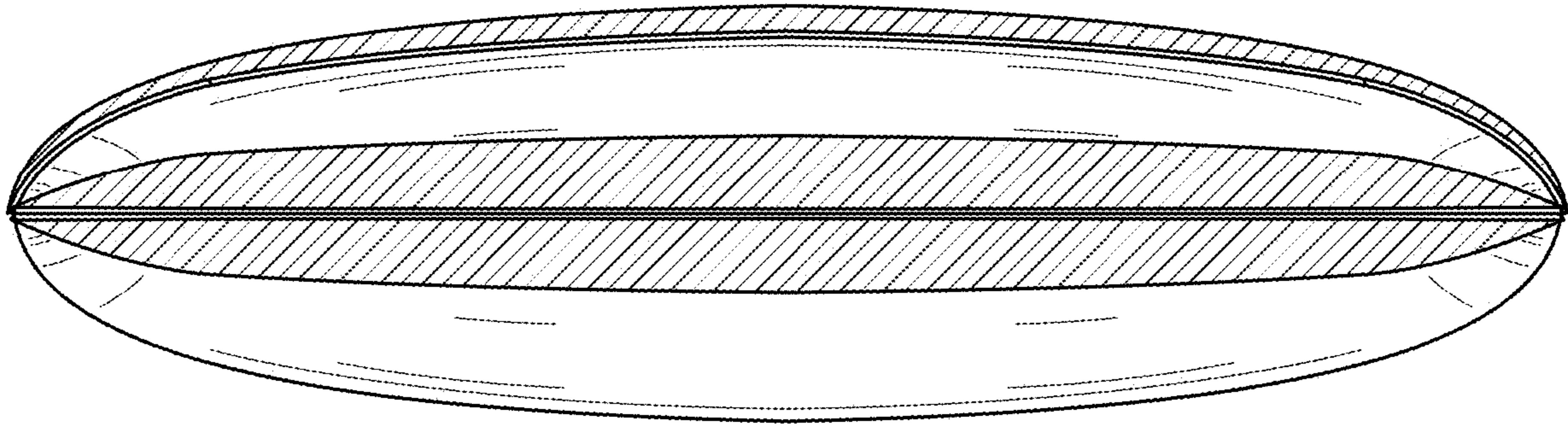


FIG. 3

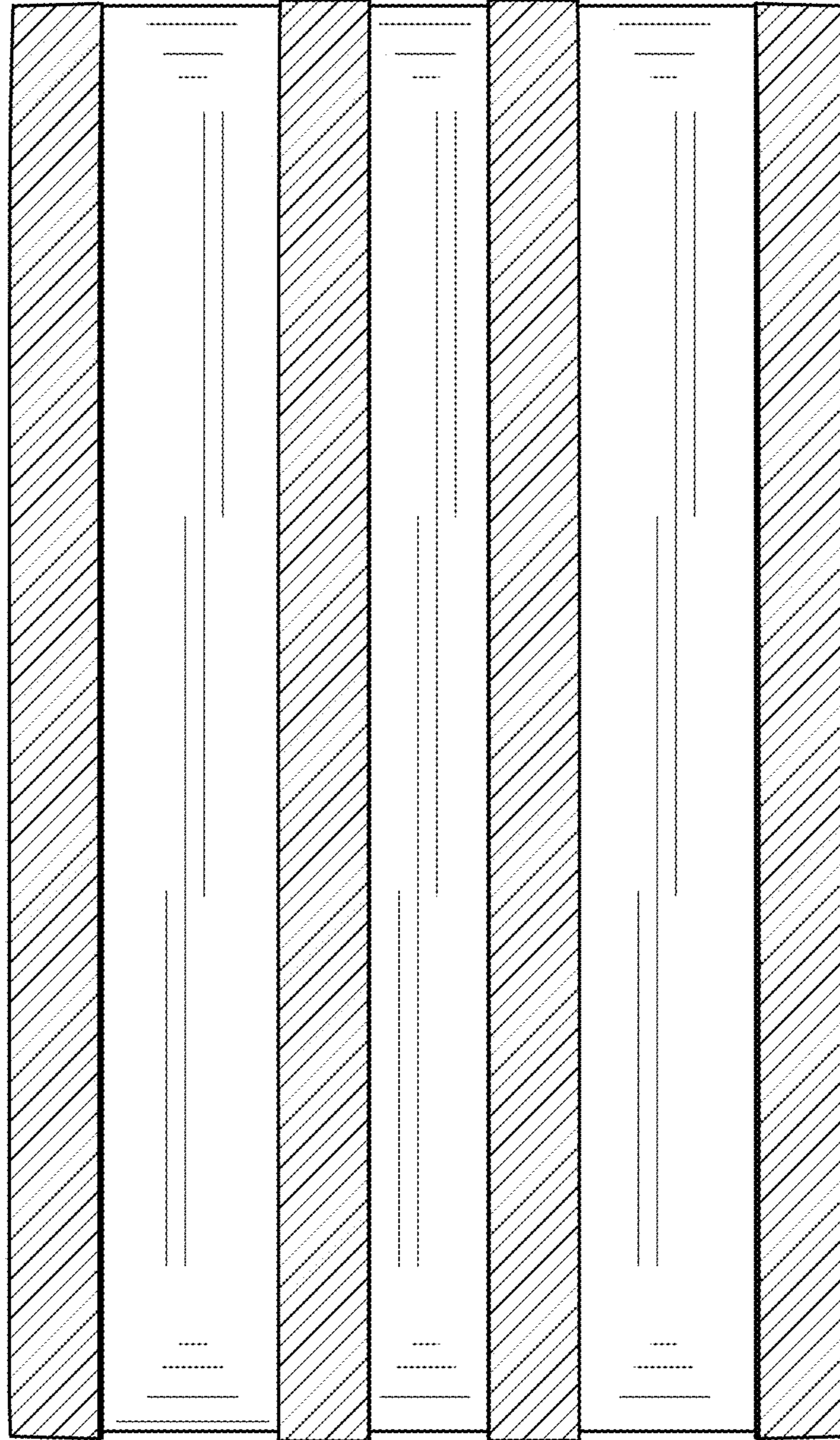


FIG. 4

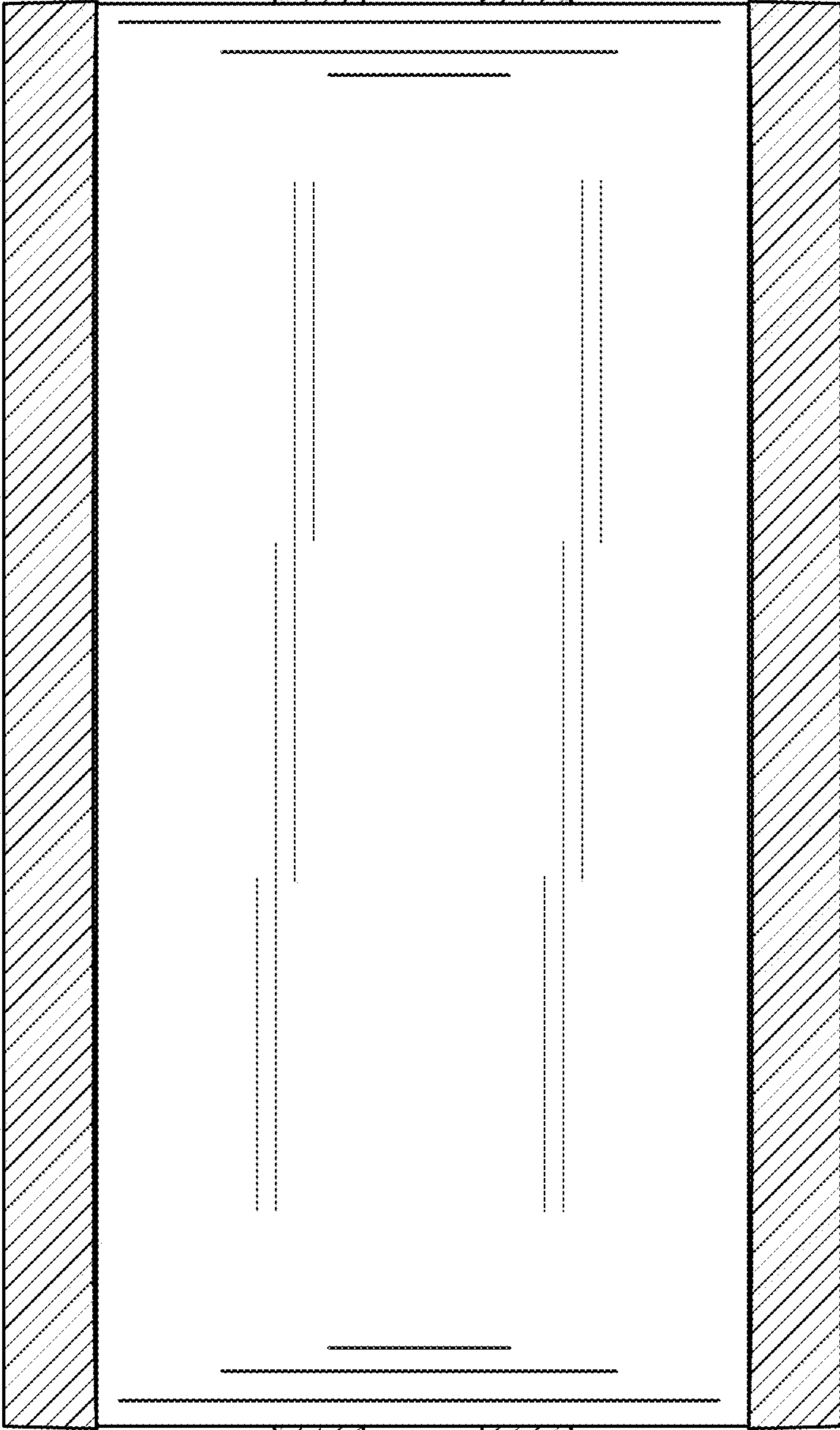


FIG. 5