



US00D895992S

(12) **United States Design Patent** (10) **Patent No.:** **US D895,992 S**  
**Hall** (45) **Date of Patent:** **\*\* Sep. 15, 2020**

(54) **SHOWER SEAT**

D471,023 S \* 3/2003 Lanius ..... D6/362  
D534,613 S \* 1/2007 Zeilinger ..... D21/823  
D557,127 S \* 12/2007 Lee ..... D8/380

(71) Applicant: **KINGSWAY ENTERPRISES (UK) LIMITED**, Swanley, Kent (GB)

(Continued)

(72) Inventor: **Benjamin Hall**, Swanley (GB)

**FOREIGN PATENT DOCUMENTS**

(73) Assignee: **Kingsway Enterprises (UK) Limited**, Kent (GB)

GB 6050509 \* 12/2018  
GB 6050510 \* 12/2018  
GB 6050511 \* 12/2018

(\*\*) Term: **15 Years**

**OTHER PUBLICATIONS**

(21) Appl. No.: **29/679,096**

Style Eclipse by Ever Life Design [online], [site visited Apr. 9, 2020]. Available from internet, URL: <[https://www.archiproducts.com/en/products/ever-life-design/folding-shower-seat-style-eclipse\\_239802](https://www.archiproducts.com/en/products/ever-life-design/folding-shower-seat-style-eclipse_239802)> (Year: 2020).\*

(22) Filed: **Feb. 1, 2019**

(Continued)

(30) **Foreign Application Priority Data**

Dec. 19, 2018 (GB) ..... 6050511

*Primary Examiner* — Cynthia Ramirez

(51) **LOC (12) Cl.** ..... **06-01**

*Assistant Examiner* — Xavier Marti-Santos

(52) **U.S. Cl.**

(74) *Attorney, Agent, or Firm* — Erise IP, P.A.

USPC ..... **D6/362**; D6/349; D23/304

(57) **CLAIM**

(58) **Field of Classification Search**

The ornamental design for a shower seat, as shown and described.

USPC ..... D6/329, 334–335, 370–383, 716, D6/716.1–716.8, 536, 349, 362; D23/304; D8/300, 307, 310

**DESCRIPTION**

CPC .. A47C 1/00; A47C 3/12; A47C 17/00; A47C 17/02; A47C 11/00; A47C 5/04; A47C 9/06; A47K 13/00; A47K 3/281; A47K 3/282; E04H 14/00

FIG. 1 is a perspective view of a shower seat showing my new design;  
FIG. 2 is a top view thereof;  
FIG. 3 is a bottom view thereof;  
FIG. 4 is a front view thereof;  
FIG. 5 is a rear view thereof;  
FIG. 6 is a left side view thereof;  
FIG. 7 is a right side view thereof; and,  
FIG. 8 is another perspective view thereof.

See application file for complete search history.

The wall shown in broken lines in FIG. 8 is to show environment and forms no part of the claimed design.

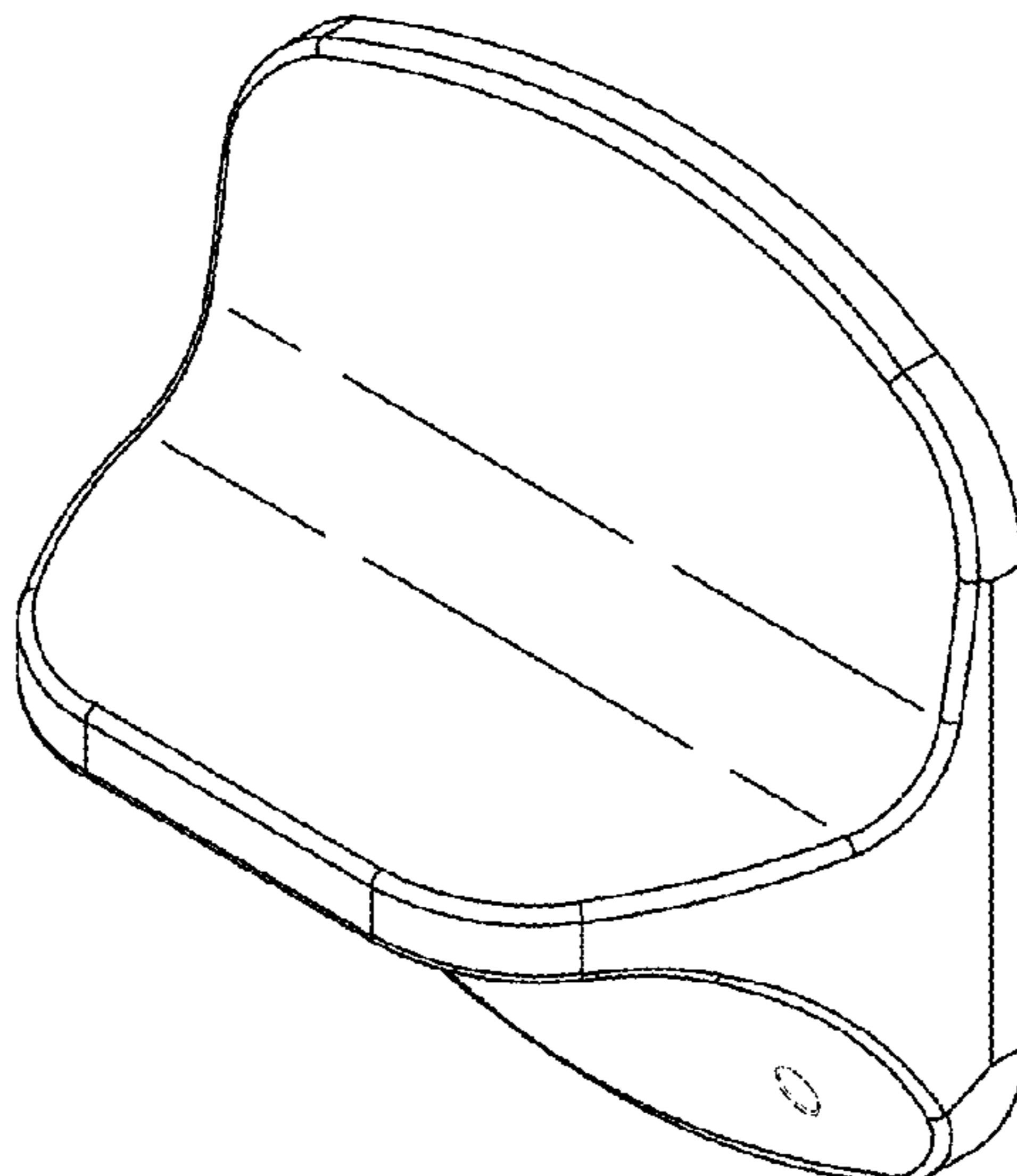
The broken lines in FIGS. 1, 4, 5, and 8 are for the purpose of illustrating portions of the shower seat, which form no part of the claimed design.

(56) **References Cited**

**U.S. PATENT DOCUMENTS**

D237,917 S \* 12/1975 Seymour ..... D6/349  
D352,198 S \* 11/1994 Wright ..... D6/574  
D358,039 S \* 5/1995 Fornaro ..... D6/334  
D360,023 S \* 7/1995 Hunger ..... D23/304  
D360,025 S \* 7/1995 Smith ..... D23/304  
D368,594 S \* 4/1996 Settambri ..... D6/349  
D371,831 S \* 7/1996 Suarez ..... D23/304

**1 Claim, 8 Drawing Sheets**



(56)

**References Cited**

U.S. PATENT DOCUMENTS

D564,641 S \* 3/2008 Bates ..... D23/304  
D567,520 S \* 4/2008 Fuentes-Viguie ..... D6/362  
7,975,328 B2 \* 7/2011 Lock ..... E03C 1/29  
4/613  
D729,537 S \* 5/2015 Ferm ..... D6/362

OTHER PUBLICATIONS

Shower seat load test blog, announced 2020 [online], [site visited Jun. 18, 2020]. Available from internet, URL:<<https://www.kingswaygroupusa.com/blog/shower-seat-load-test/?catID=>> (Year: 2020).\*

\* cited by examiner

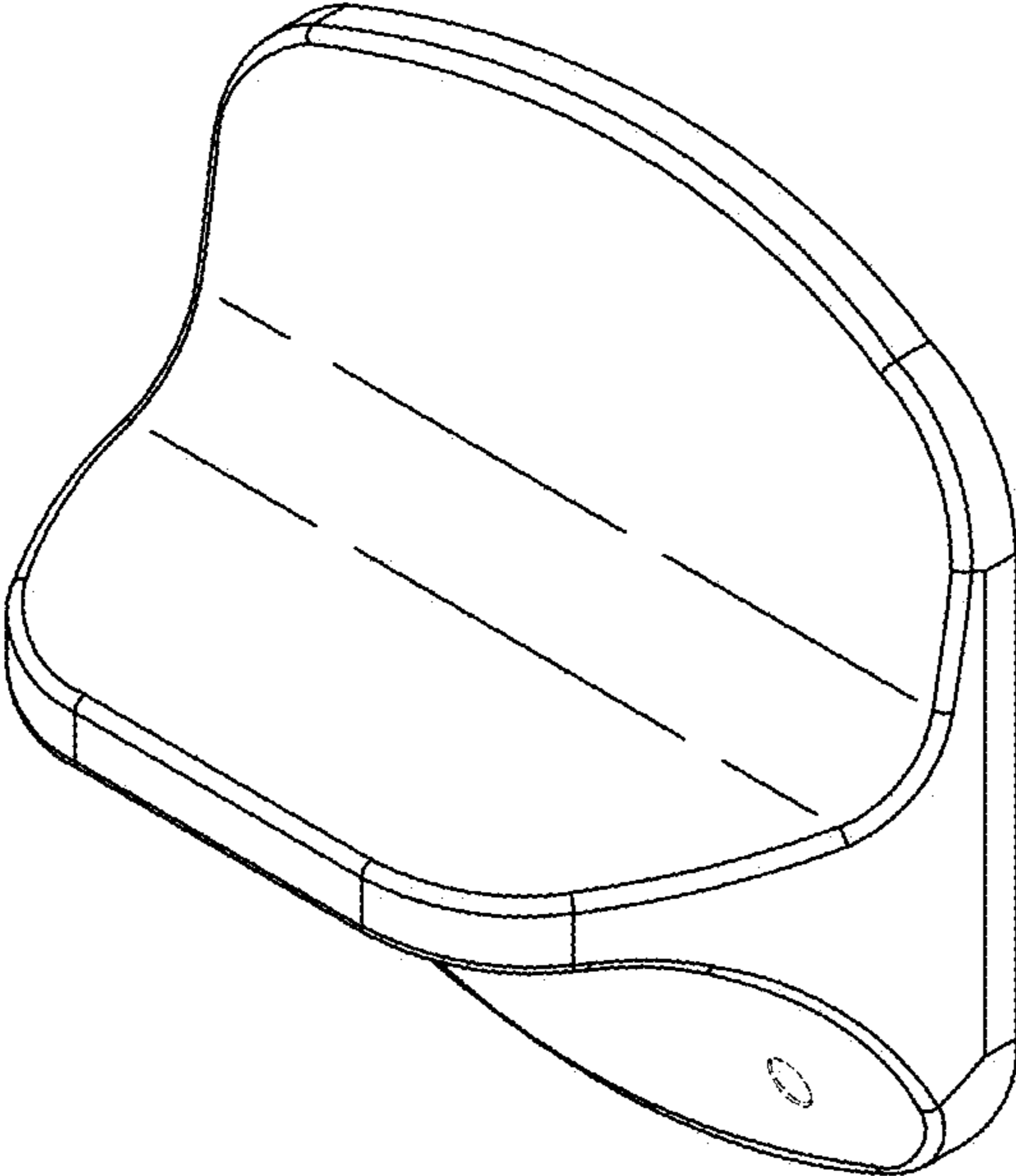


FIG. 1

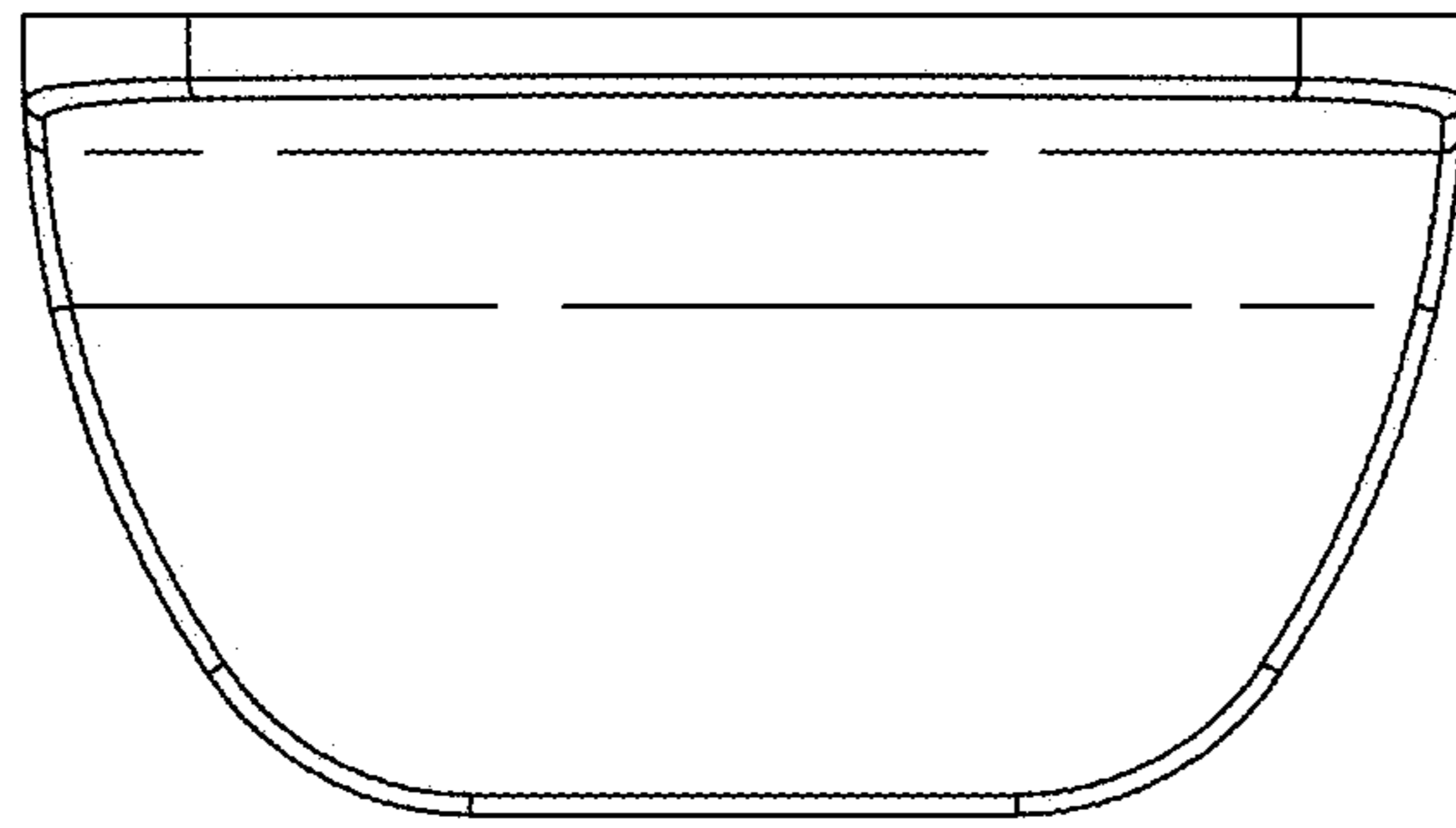


FIG. 2

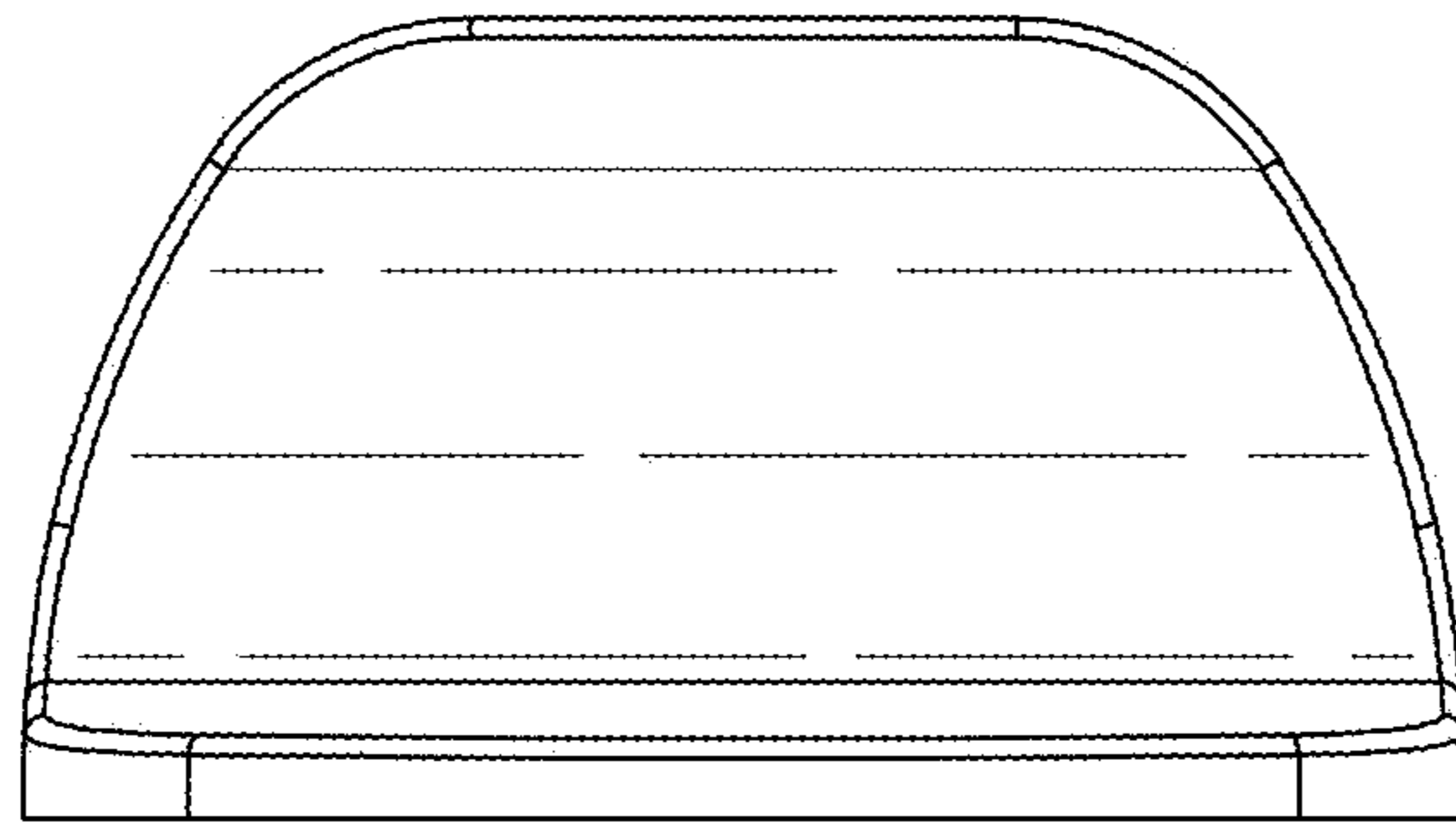


FIG. 3

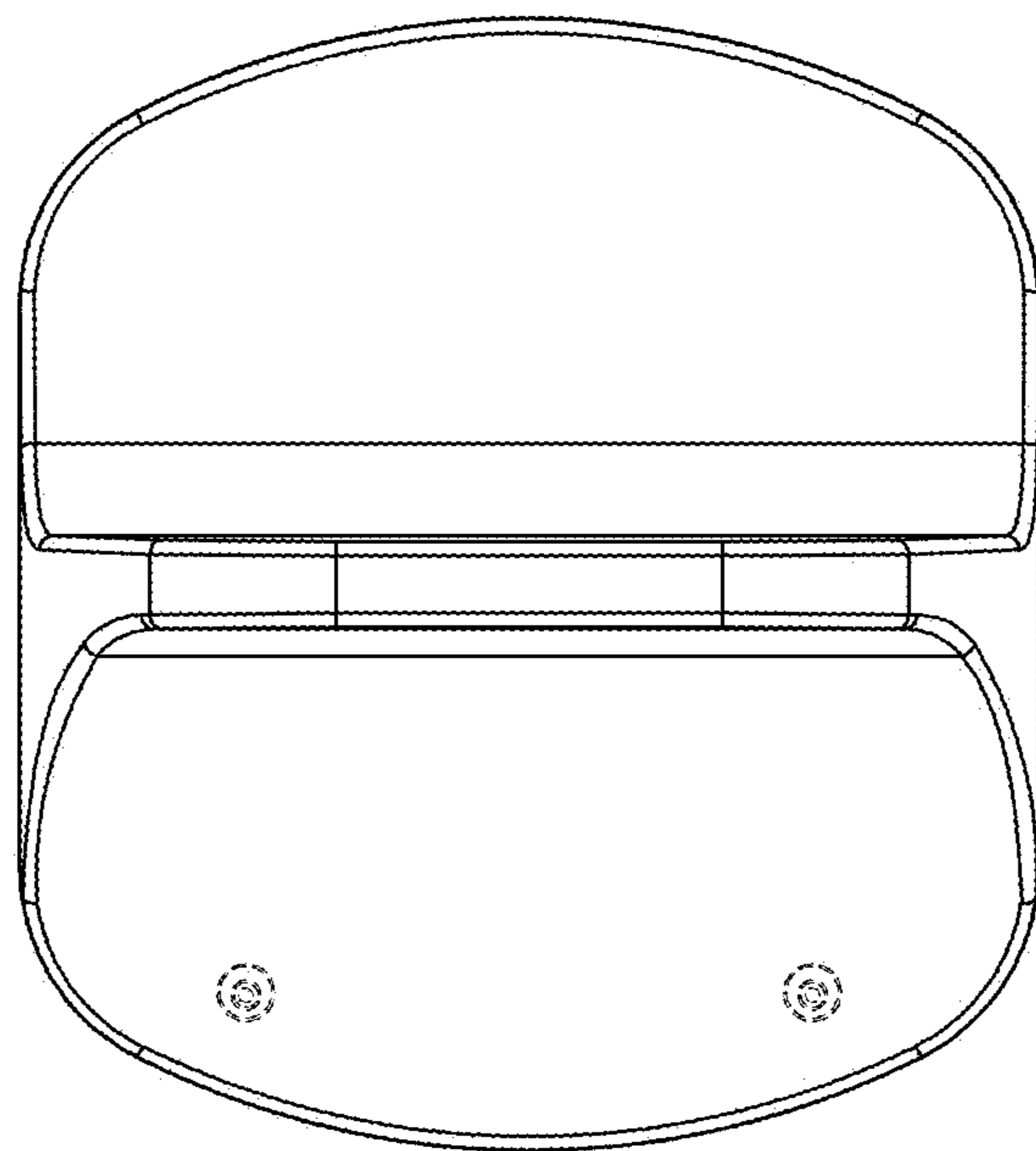


FIG. 4

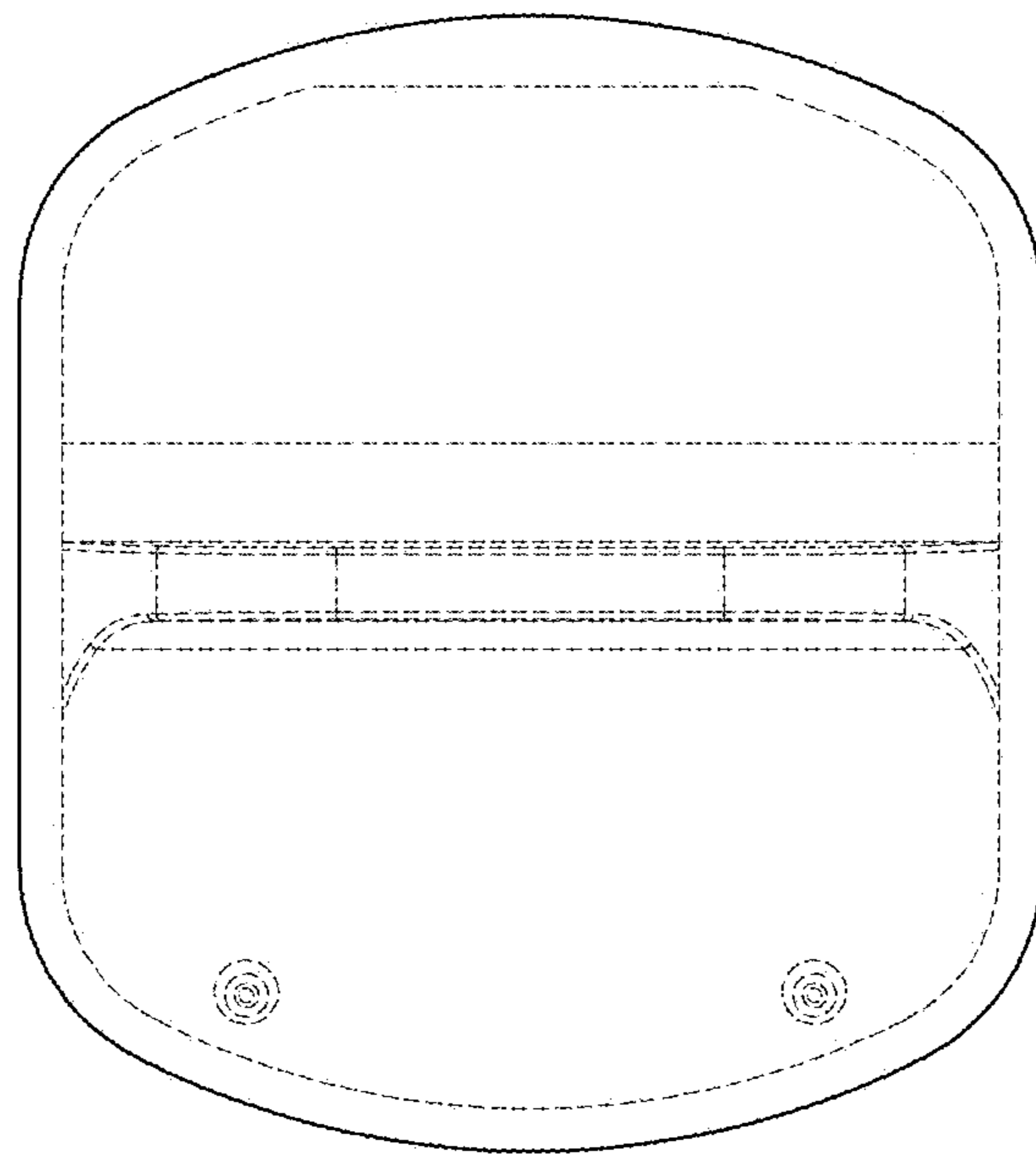


FIG. 5

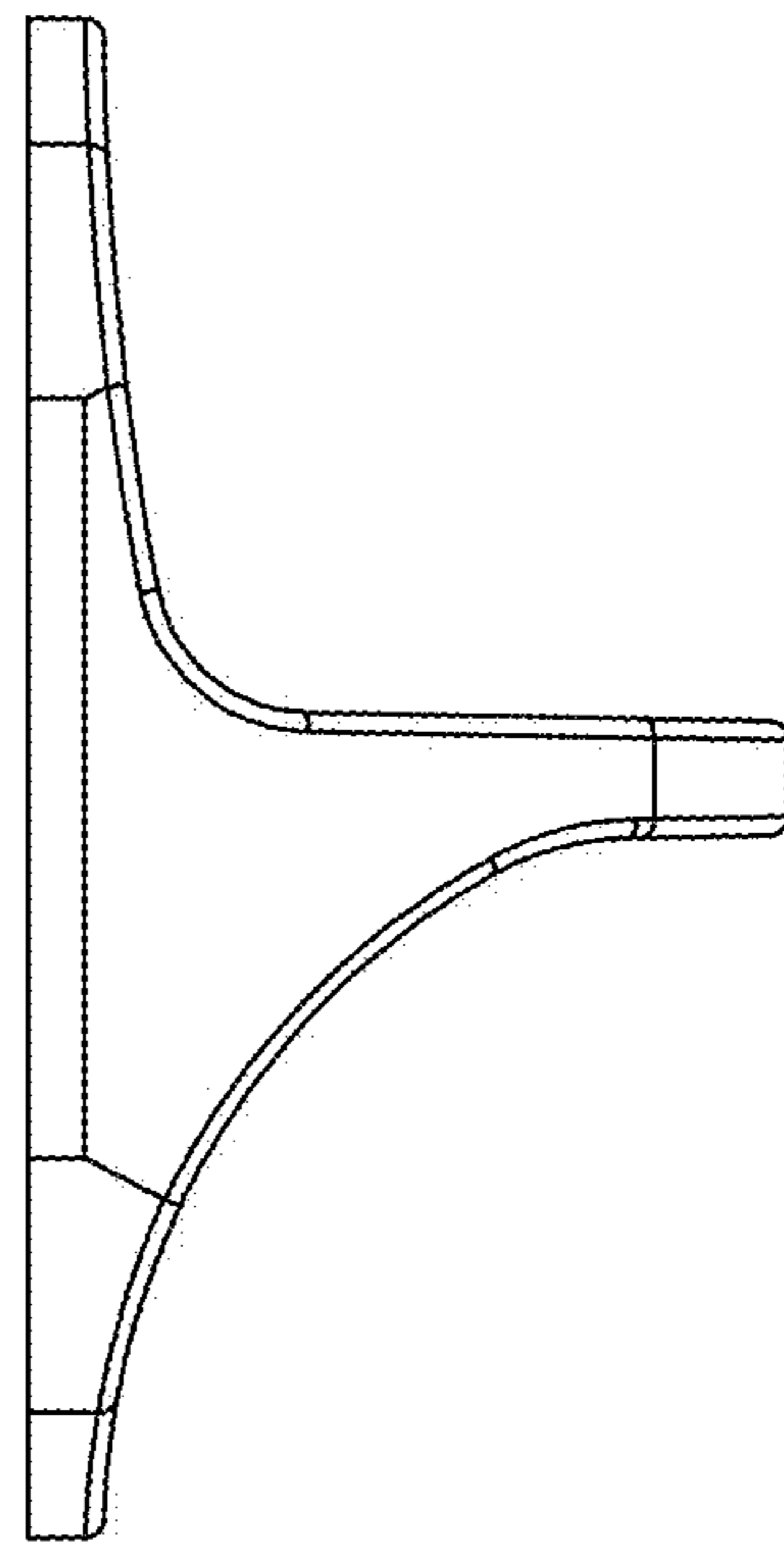


FIG. 6



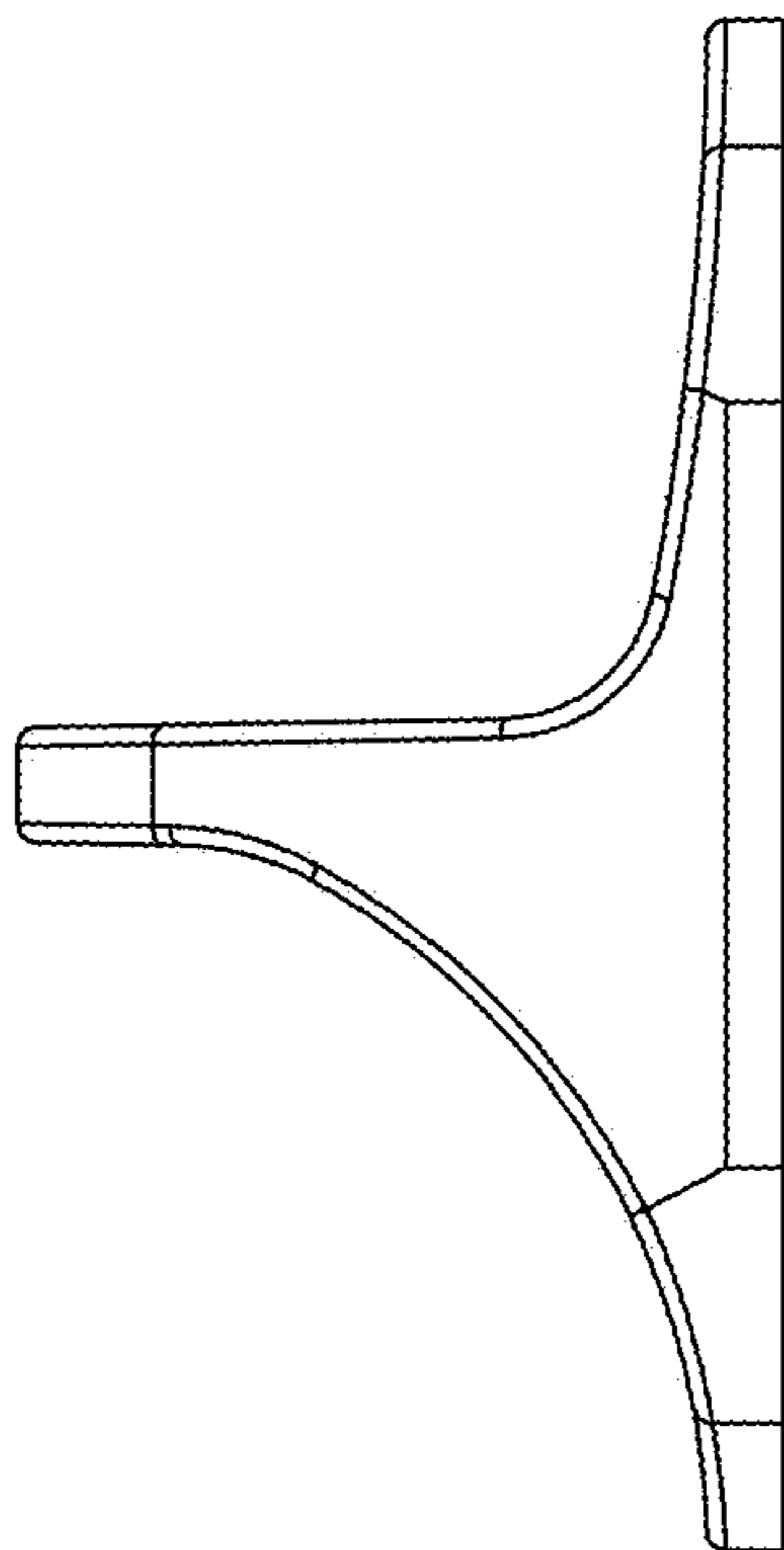


FIG. 7

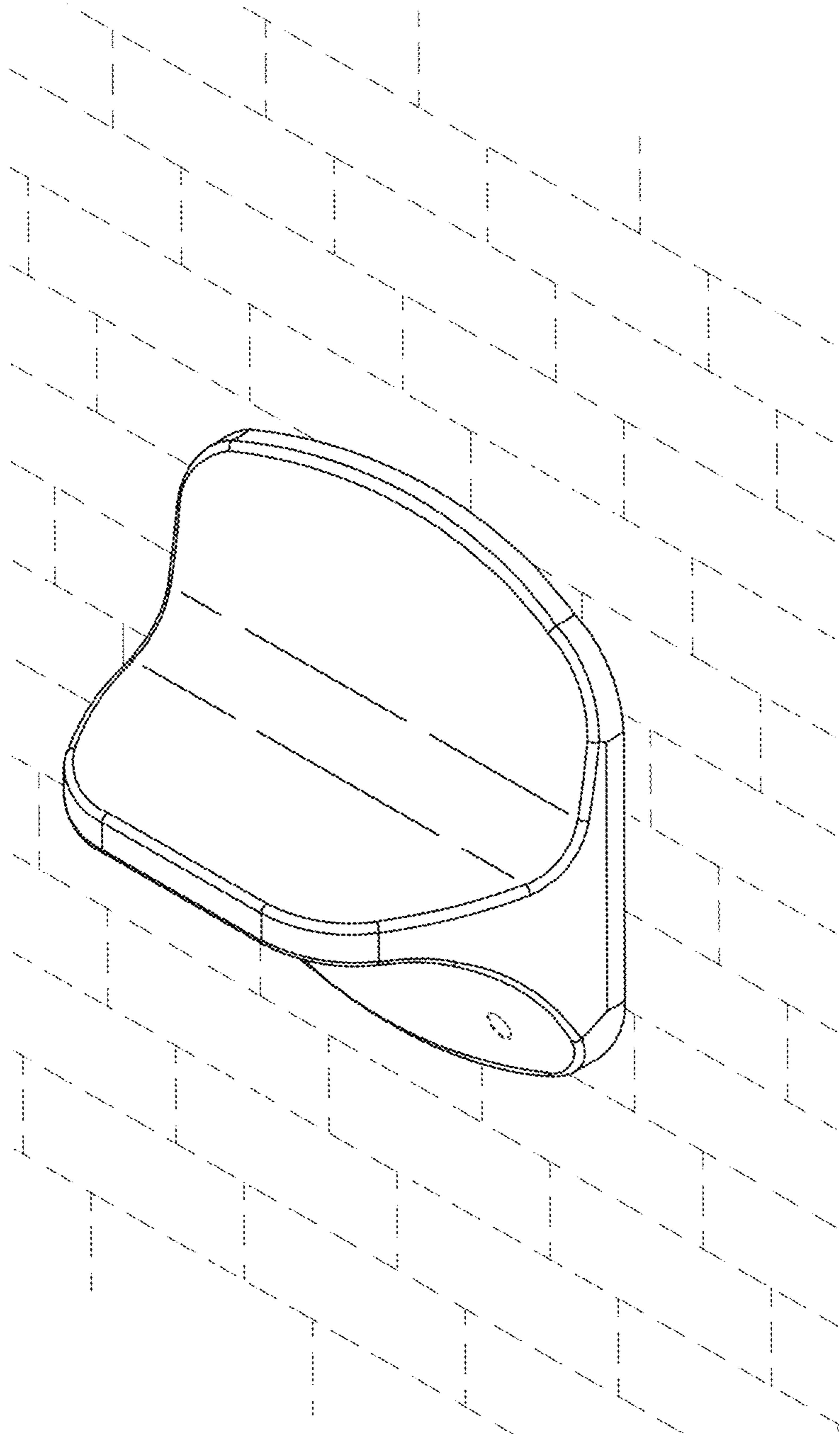


FIG. 8